



US00D672388S

(12) **United States Design Patent**
Kim et al.

(10) **Patent No.:** **US D672,388 S**
(45) **Date of Patent:** **** Dec. 11, 2012**

- (54) **LASER PRINTER**
- (75) Inventors: **Kyong-Hwan Kim**, Seoul (KR); **Masato Suzuki**, Tokyo (JP); **Seung-Wook Jeong**, Seoul (KR); **Byeong-Yong Song**, Kyunggi-do (KR)
- (73) Assignee: **Samsung Electronics Co., Ltd.**, Suwon, Kyunggi-do (KR)
- (**) Term: **14 Years**
- (21) Appl. No.: **29/404,393**
- (22) Filed: **Oct. 20, 2011**

- D555,195 S 11/2007 Park et al.
- D555,722 S 11/2007 Bae et al.
- D556,253 S 11/2007 Hong et al.
- D556,822 S * 12/2007 Hong et al. D18/50
- D558,261 S 12/2007 Hong et al.
- D558,262 S 12/2007 Hong et al.
- D558,820 S 1/2008 Hong et al.
- D561,248 S 2/2008 Lee et al.
- D561,824 S 2/2008 Park et al.
- D562,378 S 2/2008 Kim et al.
- D573,178 S 7/2008 Lee et al.
- D573,179 S 7/2008 Bae et al.
- D576,670 S * 9/2008 Sumi D18/50
- D580,483 S 11/2008 Park et al.

(Continued)

- (30) **Foreign Application Priority Data**
 - Aug. 12, 2011 (KR) 30-2011-0033718
 - (51) **LOC (9) Cl.** **14-02**
 - (52) **U.S. Cl.** **D18/50**
 - (58) **Field of Classification Search** D18/14, D18/19, 36-37, 50, 54, 54.1, 55; D14/452-425, D14/463-470; 400/613, 613.1-613.4, 690, 400/690.1-690.4, 691-694
- See application file for complete search history.

(56) **References Cited**

U.S. PATENT DOCUMENTS

- D316,254 S * 4/1991 Sato D18/50
- D326,867 S 6/1992 Kwak
- D338,271 S * 8/1993 Yoshikawa et al. D18/50
- D359,506 S 6/1995 Lee
- D378,218 S 2/1997 Hong et al.
- D519,549 S * 4/2006 Tanio D18/50
- D522,046 S * 5/2006 Iritani et al. D18/55
- D523,071 S * 6/2006 Katayama et al. D18/50
- D527,045 S 8/2006 Lim et al.
- D530,737 S 10/2006 Lim et al.
- D532,043 S 11/2006 Park et al.
- D536,372 S 2/2007 Lim et al.
- D540,852 S * 4/2007 Huang et al. D18/50
- D545,892 S * 7/2007 Wang D18/50
- D551,700 S 9/2007 Park et al.
- D552,170 S 10/2007 Kim et al.

OTHER PUBLICATIONS

U.S. Appl. No. 29/404,388, Applicant: Kyong-Hwan Kim et al., filed Oct. 20, 2011 entitled Printer With Functions of Copy Machine and Fax Machine.

(Continued)

Primary Examiner — Cathy A MacCormac
(74) *Attorney, Agent, or Firm* — Flynn, Thiel, Boutell & Tanis, P.C.

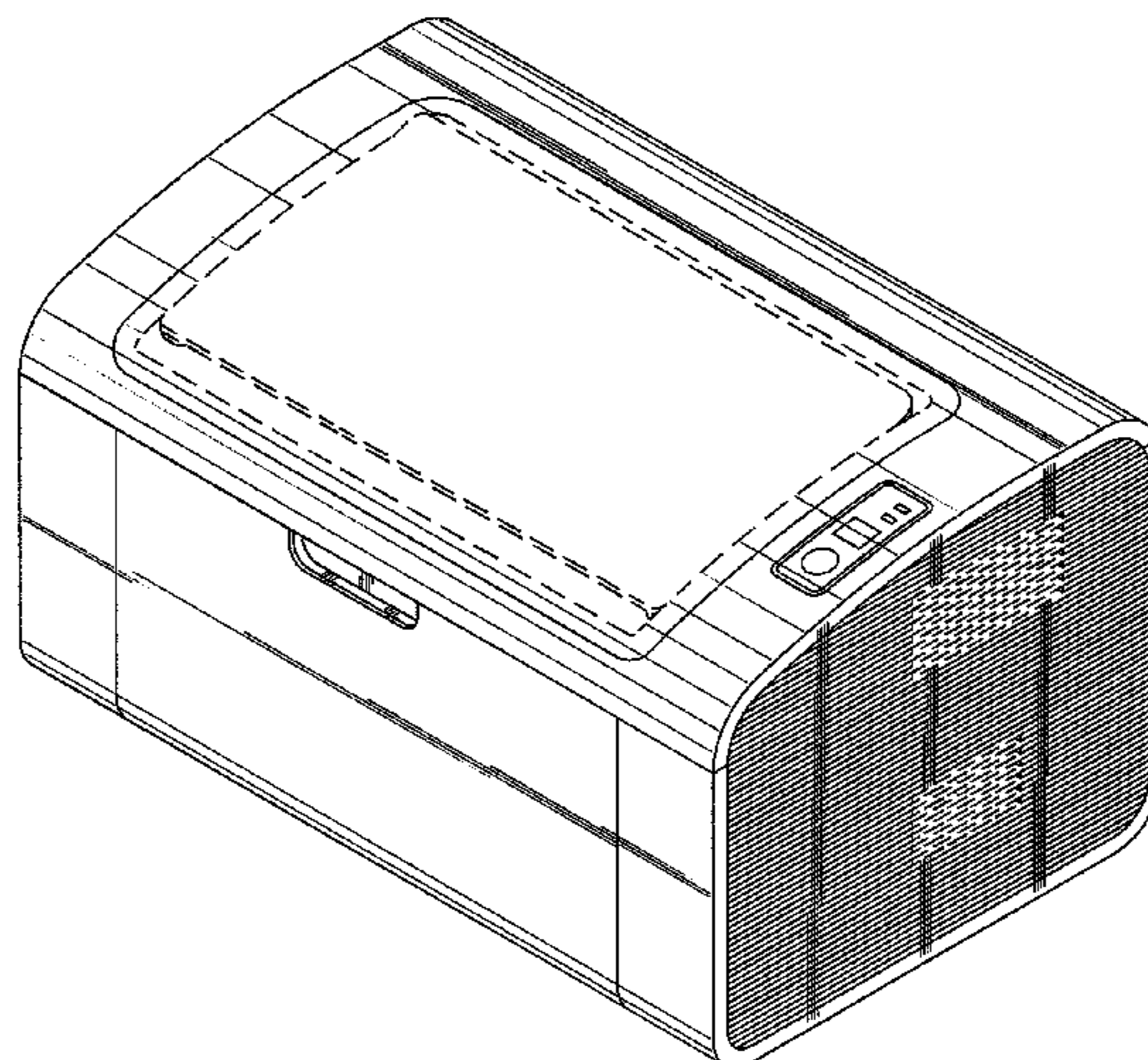
(57) **CLAIM**

The ornamental design for a laser printer, as shown and described.

DESCRIPTION

FIG. 1 is a top front perspective view of a laser printer showing our new design;
FIG. 2 is a front elevational view thereof;
FIG. 3 is a rear elevational view thereof;
FIG. 4 is a left side elevational view thereof;
FIG. 5 is a right side elevational view thereof;
FIG. 6 is a top plan view thereof; and,
FIG. 7 is a bottom plan view thereof.
The broken lines depict environmental subject matter only and form no part of the claimed design.

1 Claim, 4 Drawing Sheets



U.S. PATENT DOCUMENTS

D581,976 S 12/2008 Park et al.
D584,344 S 1/2009 Lee et al.
D584,347 S 1/2009 Hong et al.
D584,348 S 1/2009 Boo et al.
D586,385 S 2/2009 Kim et al.
D593,149 S 5/2009 Park et al.
D601,185 S 9/2009 Kim et al.
D601,186 S 9/2009 Kim et al.
D607,502 S 1/2010 Lee et al.
D607,506 S 1/2010 Kim et al.
D607,925 S 1/2010 Morrison et al.
D607,927 S 1/2010 Kim et al.
D607,928 S 1/2010 Kim et al.
D621,441 S 8/2010 Kim
D622,761 S 8/2010 Kim et al.
D624,956 S 10/2010 Park et al.
D624,957 S 10/2010 Park et al.
D626,588 S 11/2010 Kim et al.
D632,732 S 2/2011 Park et al.
D633,139 S 2/2011 Park et al.
D633,556 S 3/2011 Park et al.
D634,359 S 3/2011 Park et al.
D641,038 S 7/2011 Park et al.
D641,393 S 7/2011 Kim et al.
D641,395 S 7/2011 Park et al.

D641,396 S 7/2011 Park et al.
D641,397 S 7/2011 Kim et al.
D641,398 S 7/2011 Kim et al.
D641,778 S 7/2011 Lee et al.
D643,874 S * 8/2011 Kim et al. D18/55
D645,078 S 9/2011 Kim et al.
D647,130 S 10/2011 Kim et al.
D647,131 S 10/2011 Park et al.
D647,132 S 10/2011 Kim et al.

OTHER PUBLICATIONS

U.S. Appl. No. 29/404,389, Applicant: Kyong-Hwan Kim et al., filed Oct. 20, 2011 entitled Printer With Functions of Copy Machine, Scanner and Fax Machine.
U.S. Appl. No. 29/404,391, Applicant: Kyong-Hwan Kim et al., filed Oct. 20, 2011 entitled Printer With Functions of Copy Machine and Scanner.
U.S. Appl. No. 29/404,392, Applicant: Kyong-Hwan Kim et al., filed Oct. 20, 2011 entitled Laser Printer.
U.S. Appl. No. 29/404,398, Applicant: Kyong-Hwan Kim et al., filed Oct. 20, 2011 entitled Printer With Functions of Copy Machine, Scanner and Fax Machine.

* cited by examiner

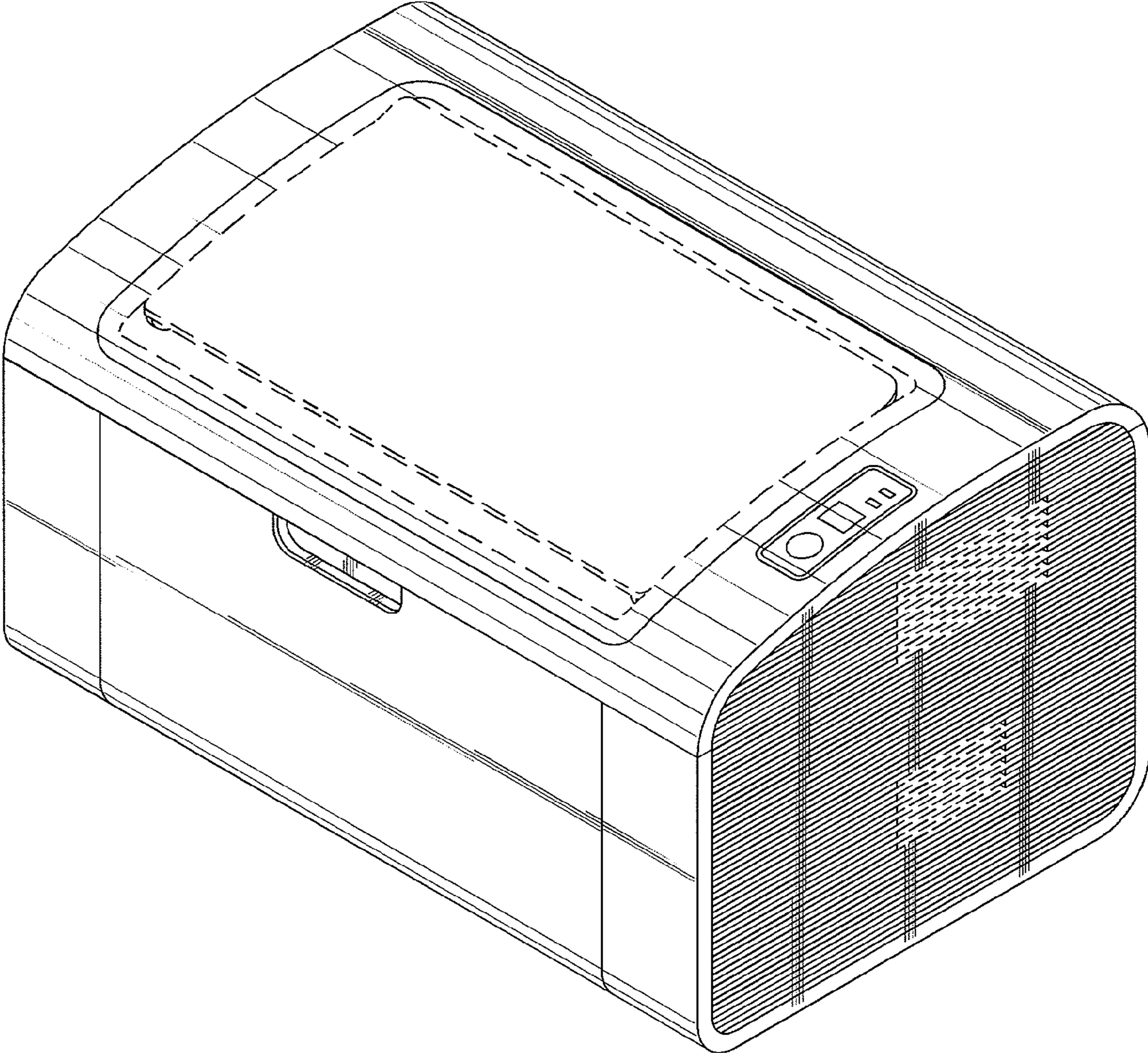


FIG. 1

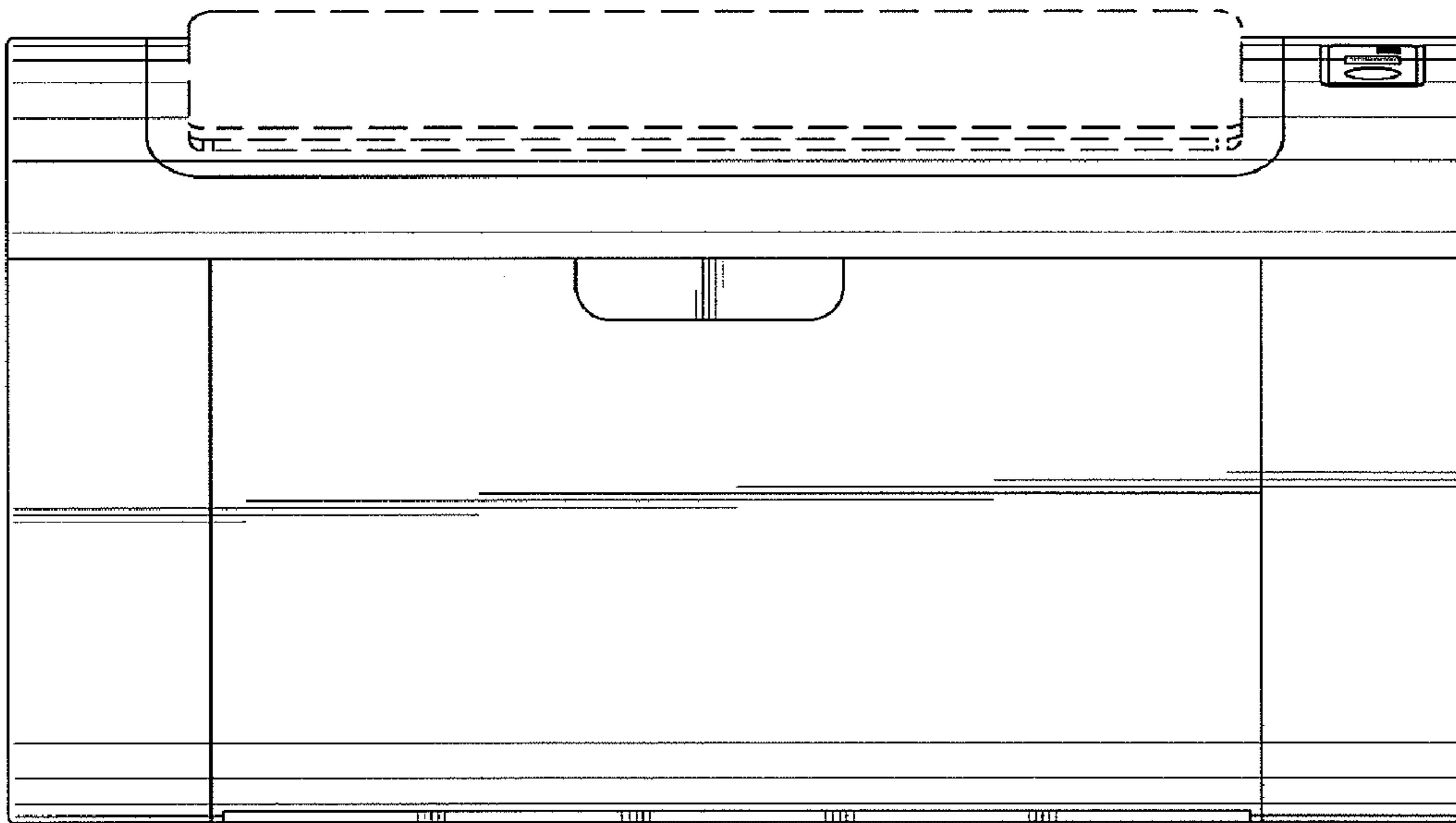


FIG. 2

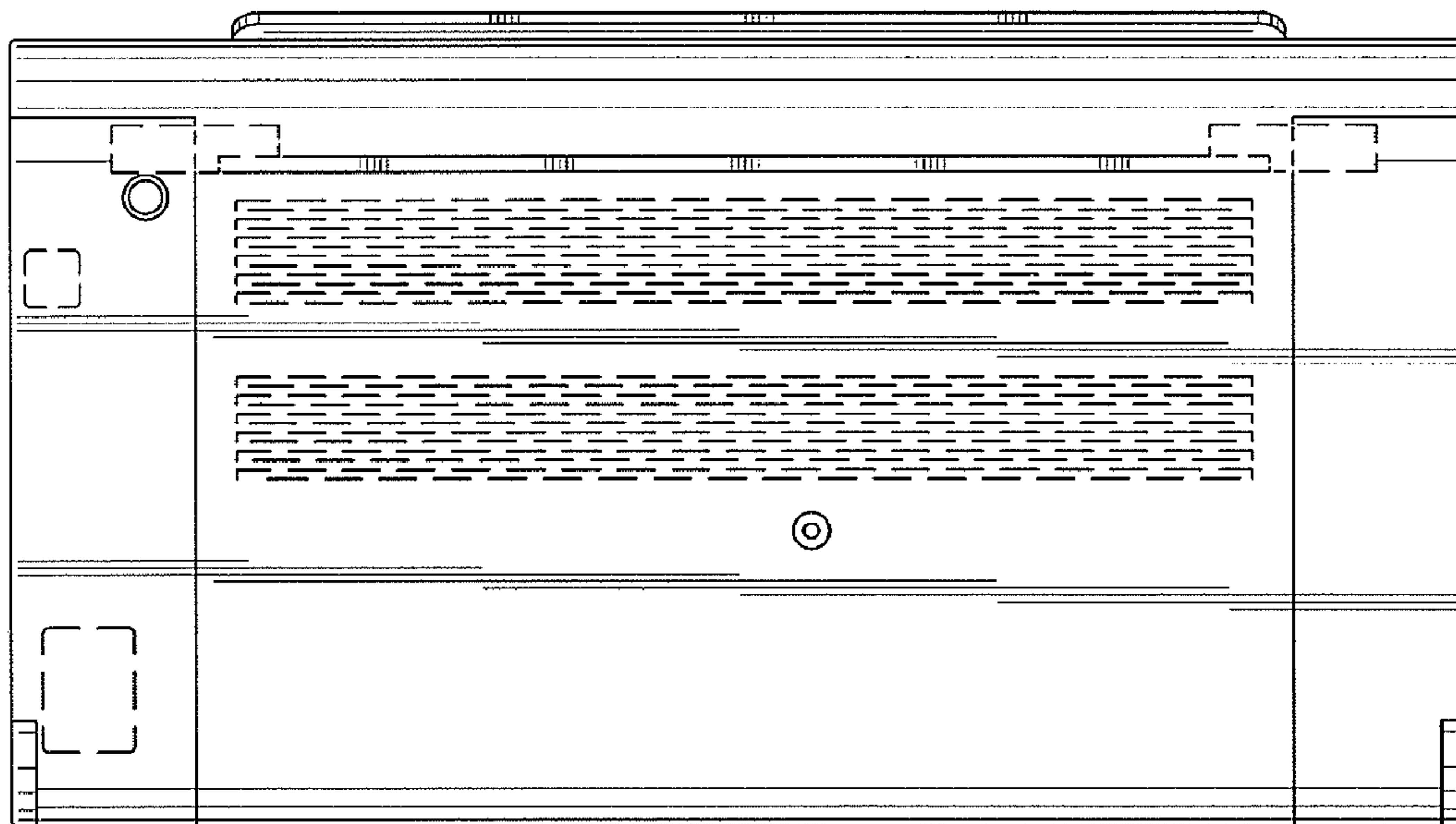


FIG. 3

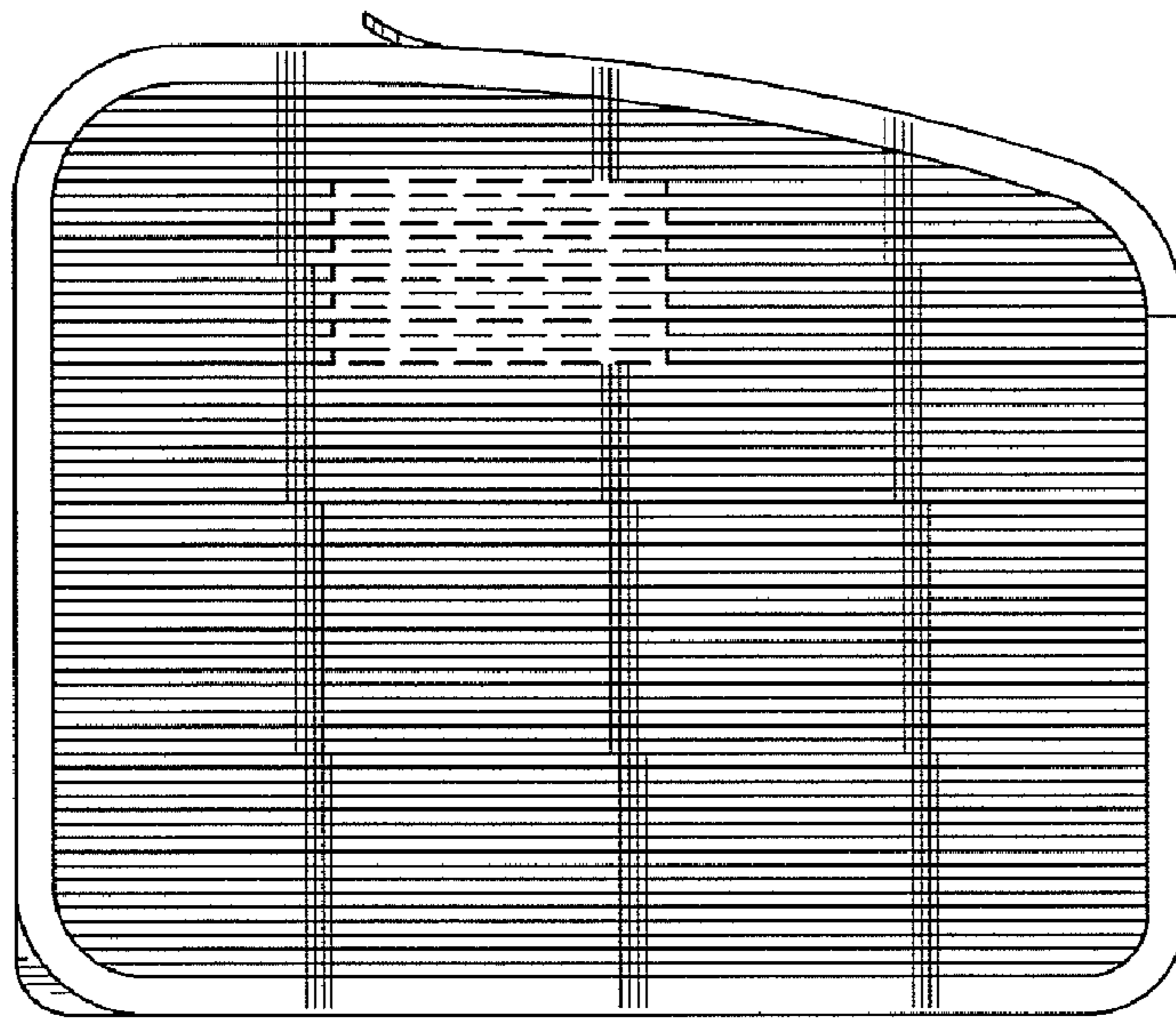


FIG. 4

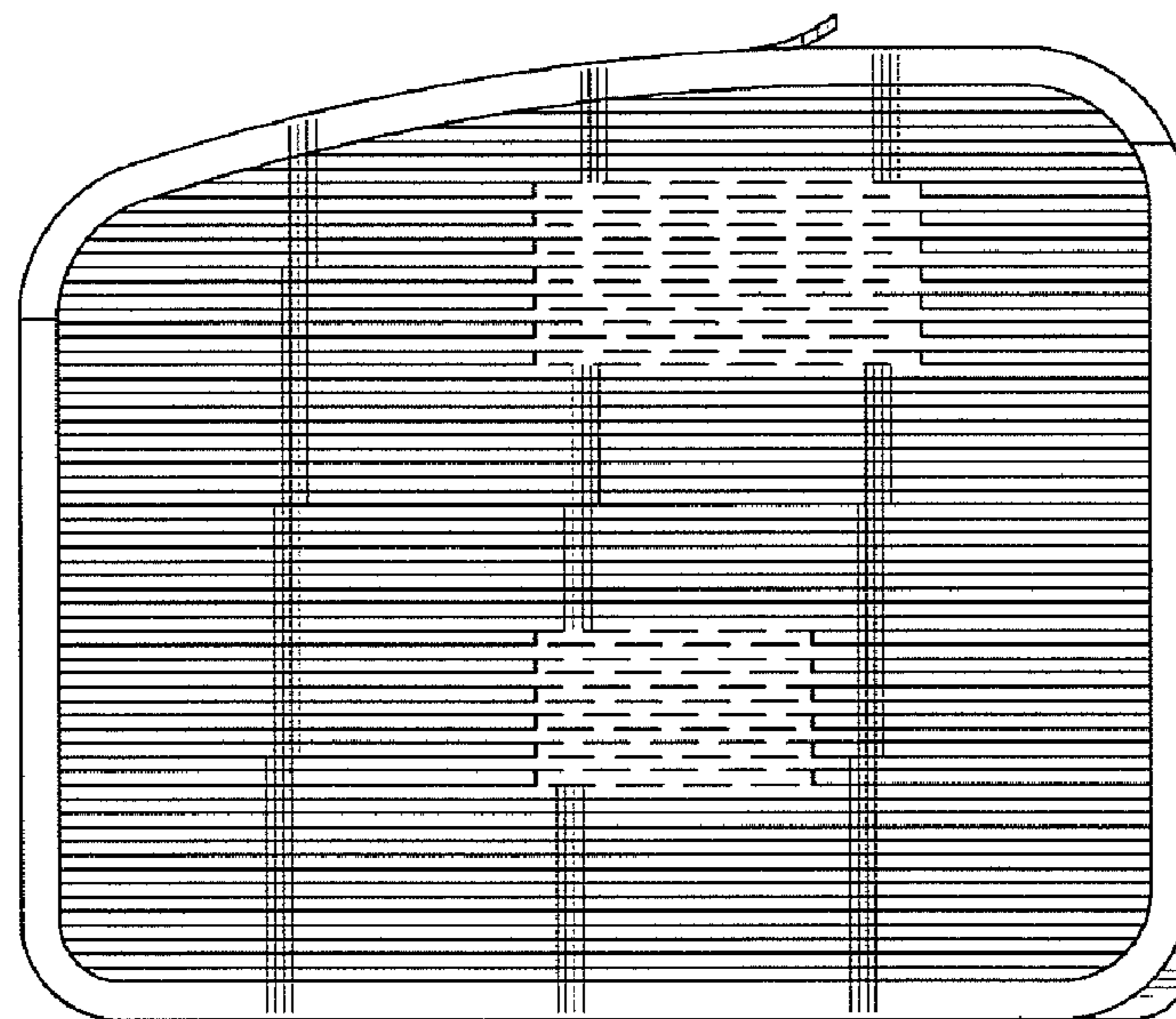


FIG. 5

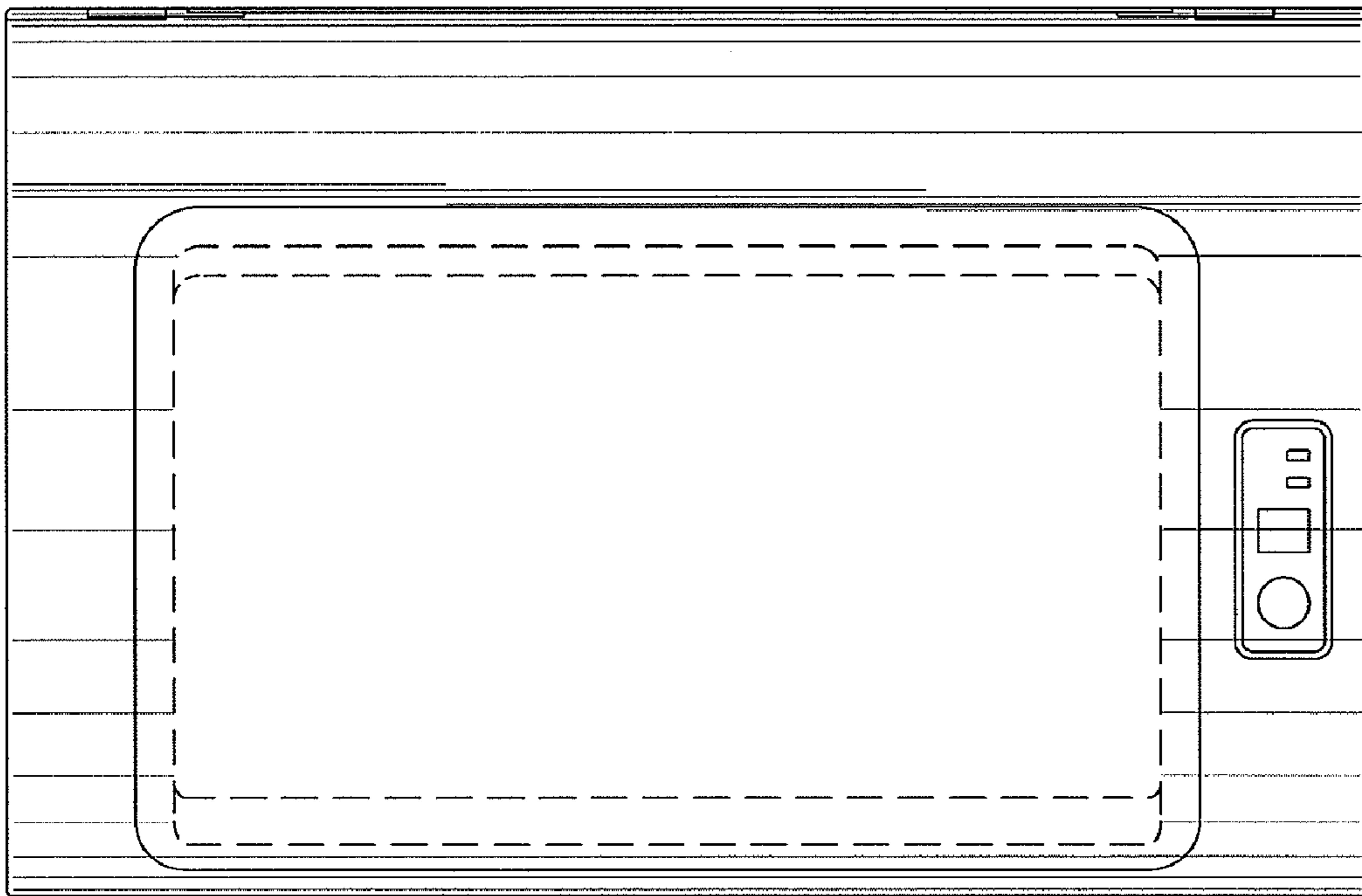


FIG. 6

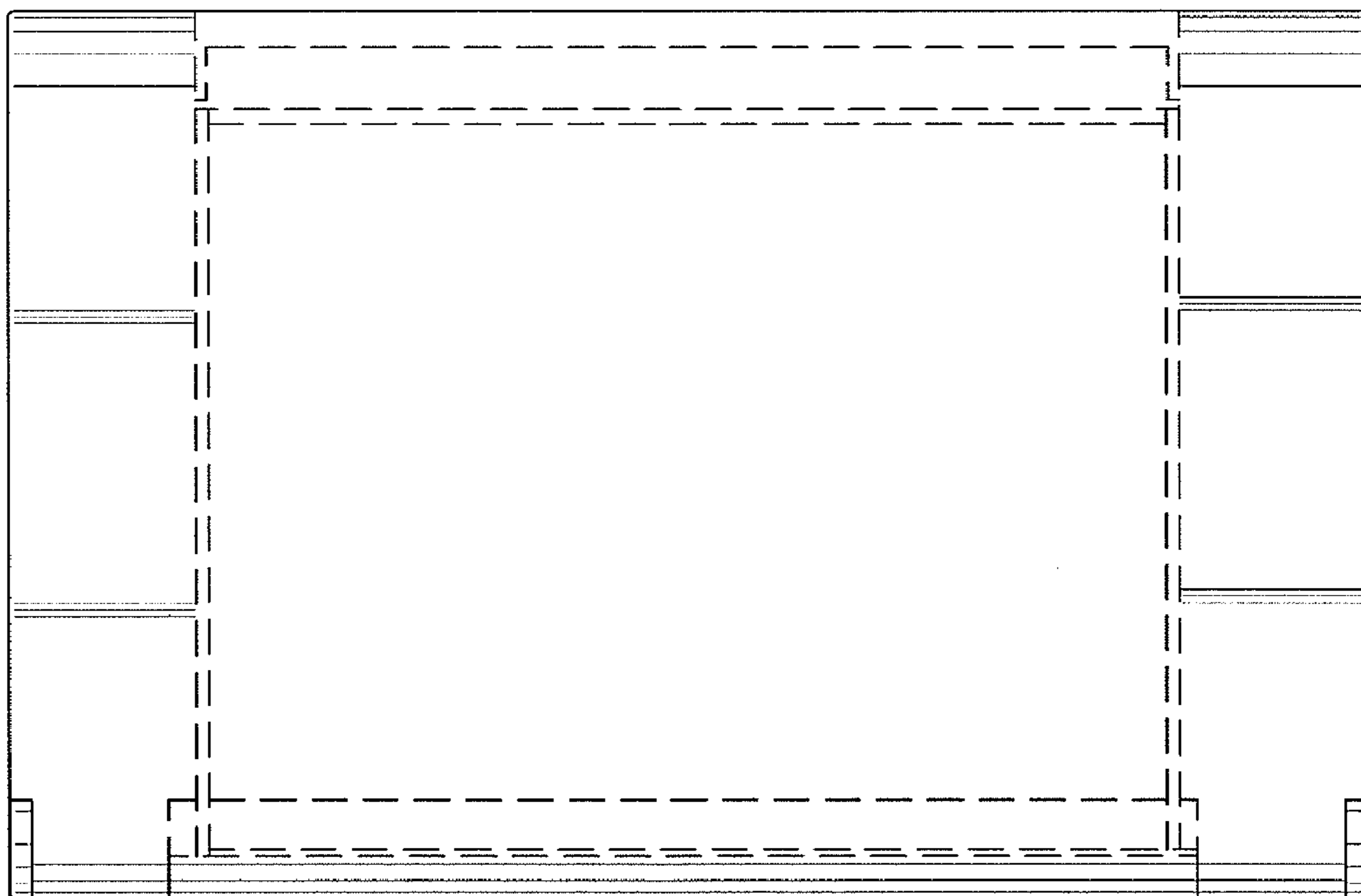


FIG. 7