



US00D672386S

(12) **United States Design Patent**
Matunuma et al.

(10) **Patent No.:** **US D672,386 S**

(45) **Date of Patent:** **** Dec. 11, 2012**

(54) **HANDHELD INFORMATION TERMINAL DEVICE**

(75) Inventors: **Takashi Matunuma**, Tokyo (JP);
Toshiyuki Kobayashi, Tokyo (JP);
Tomohiro Takizawa, Kanagawa (JP);
Taku Ando, Kanagawa (JP)

(73) Assignee: **Fujitsu Frontech Limited** (JP)

(**) Term: **14 Years**

(21) Appl. No.: **29/372,555**

(22) Filed: **Dec. 7, 2010**

(30) **Foreign Application Priority Data**

Jul. 15, 2010 (JP) 2010-017300

(51) **LOC (9) Cl.** **18-01**

(52) **U.S. Cl.** **D18/4.6**

(58) **Field of Classification Search** D14/218,
D14/336, 341-147, 371-376, 387; D18/1,
D18/2, 3.1-3.3, 4.1-4.6, 5-12, 12.1-12.3;
D21/324, 329, 332, 512; D99/28, 34-38,
D99/40; 235/1 E, 2, 7 R, 12, 22, 33, 51,
235/52, 58 R, 59 A, 59 BC-59 BH, 59 CP,
235/59 T, 59 TP, 61 R; 705/12, 15-18, 43;
708/100, 105, 130

See application file for complete search history.

(56) **References Cited**

U.S. PATENT DOCUMENTS

D226,858 S * 5/1973 Liljenwall D18/11
5,313,396 A * 5/1994 Terpstra et al. 708/100
D408,442 S * 4/1999 Lun D18/11
D458,239 S * 6/2002 Shim et al. D14/341

D505,422 S * 5/2005 Kakizaki et al. D14/347
D529,943 S * 10/2006 Chiu et al. D18/4.4
D532,326 S * 11/2006 Ishii D18/7
D570,402 S * 6/2008 Henry D18/4.6
D624,114 S * 9/2010 Ausems et al. D18/4.6
D624,115 S * 9/2010 Ausems et al. D18/4.6
D628,198 S * 11/2010 Fitch et al. D14/347
D638,465 S * 5/2011 Goldin D18/4.6
D648,373 S * 11/2011 Hidaka D18/4.4

* cited by examiner

Primary Examiner — Garth Rademaker

(74) *Attorney, Agent, or Firm* — Schwegman Lundberg & Woessner, P.A.

(57) **CLAIM**

The ornamental design for a handheld information terminal device, as shown and described.

DESCRIPTION

FIG. 1 is a front view of a handheld information terminal device;

FIG. 2 is a rear view of the handheld information terminal device;

FIG. 3 is a right side view of the handheld information terminal device;

FIG. 4 a left side view of the handheld information terminal device;

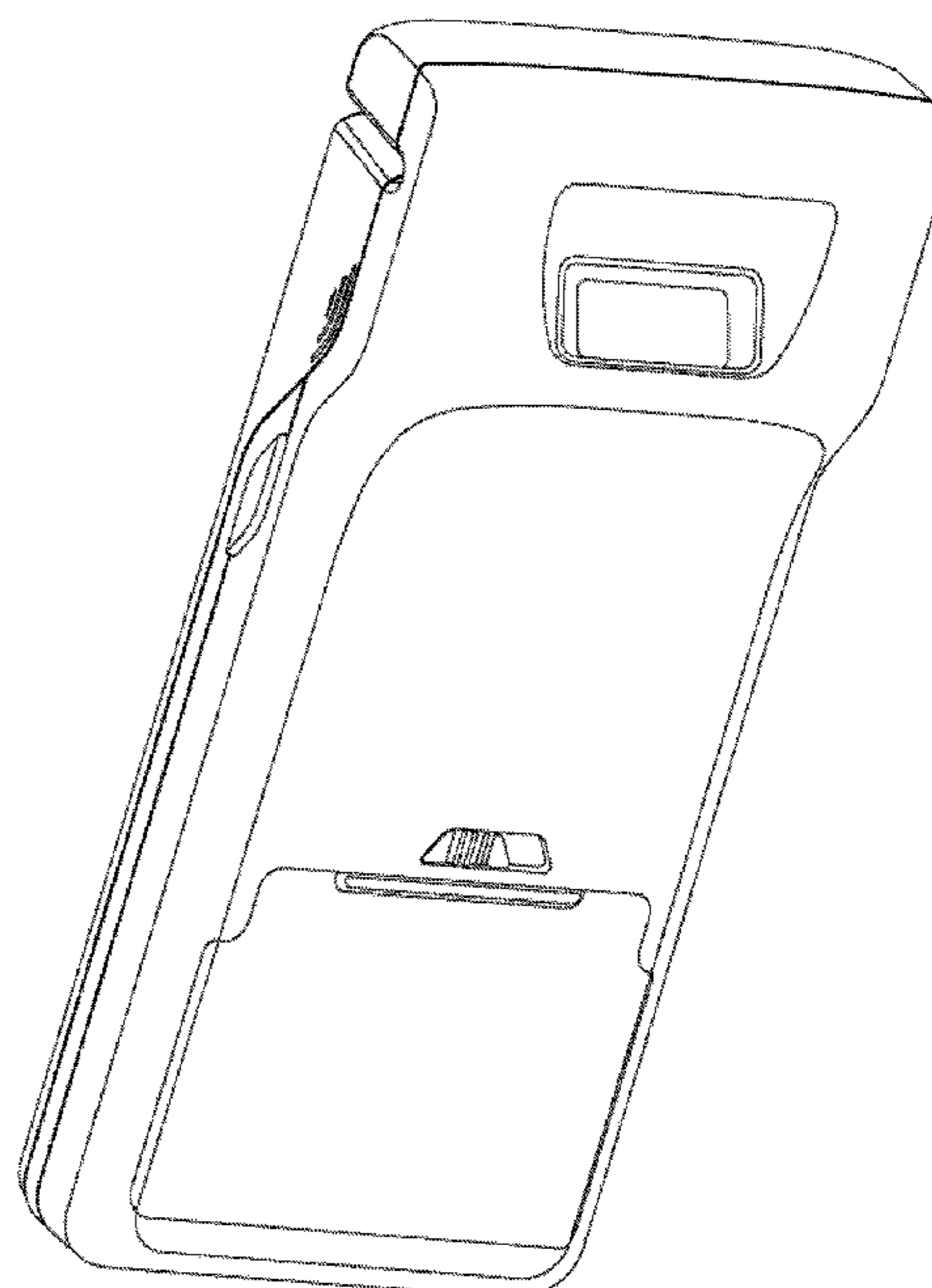
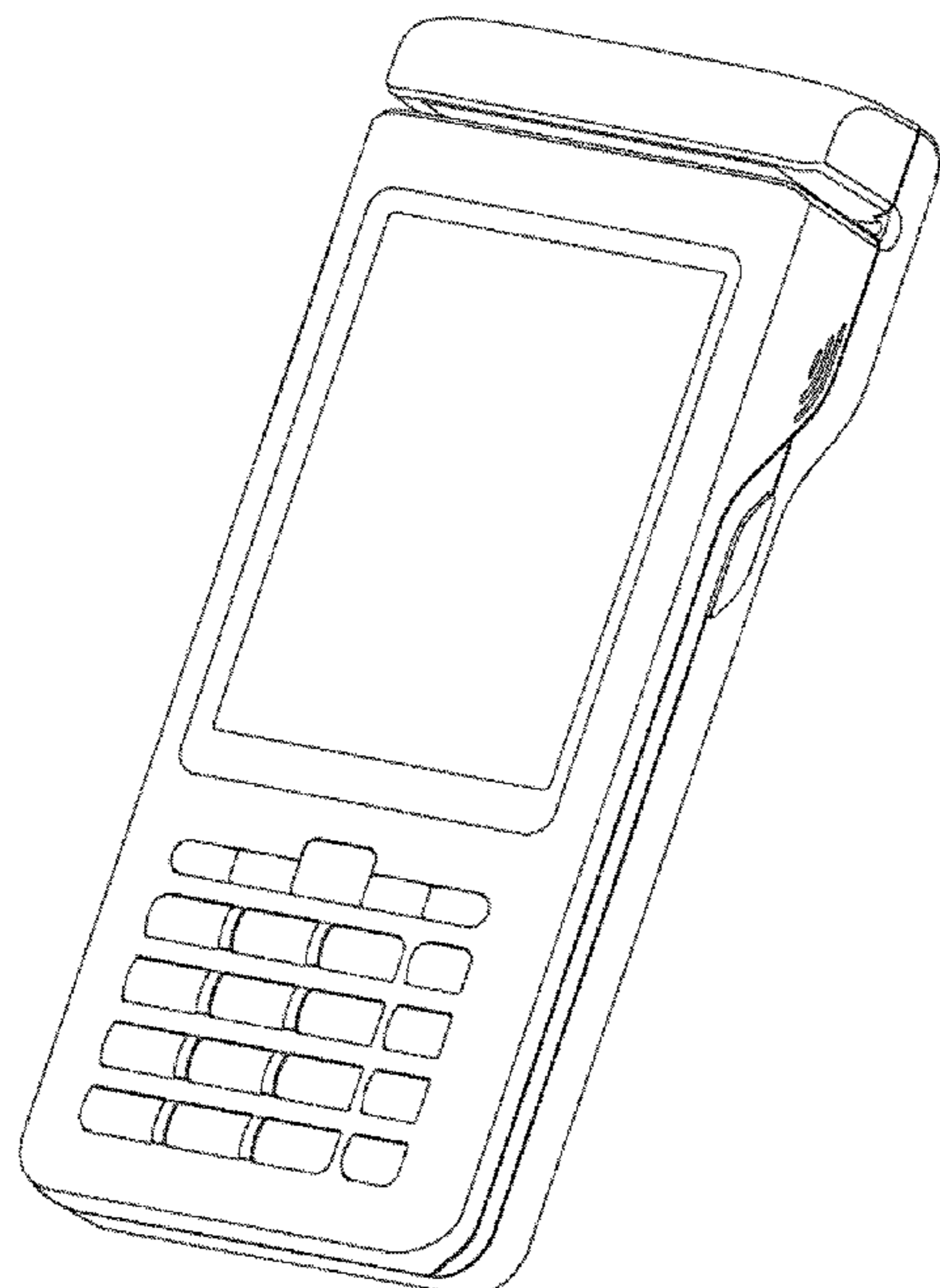
FIG. 5 is a top view of the handheld information terminal device;

FIG. 6 is a bottom view of the handheld information terminal device;

FIG. 7 is a front side perspective view of the handheld information terminal device; and,

FIG. 8 is a rear side perspective view of the handheld information terminal device.

1 Claim, 8 Drawing Sheets



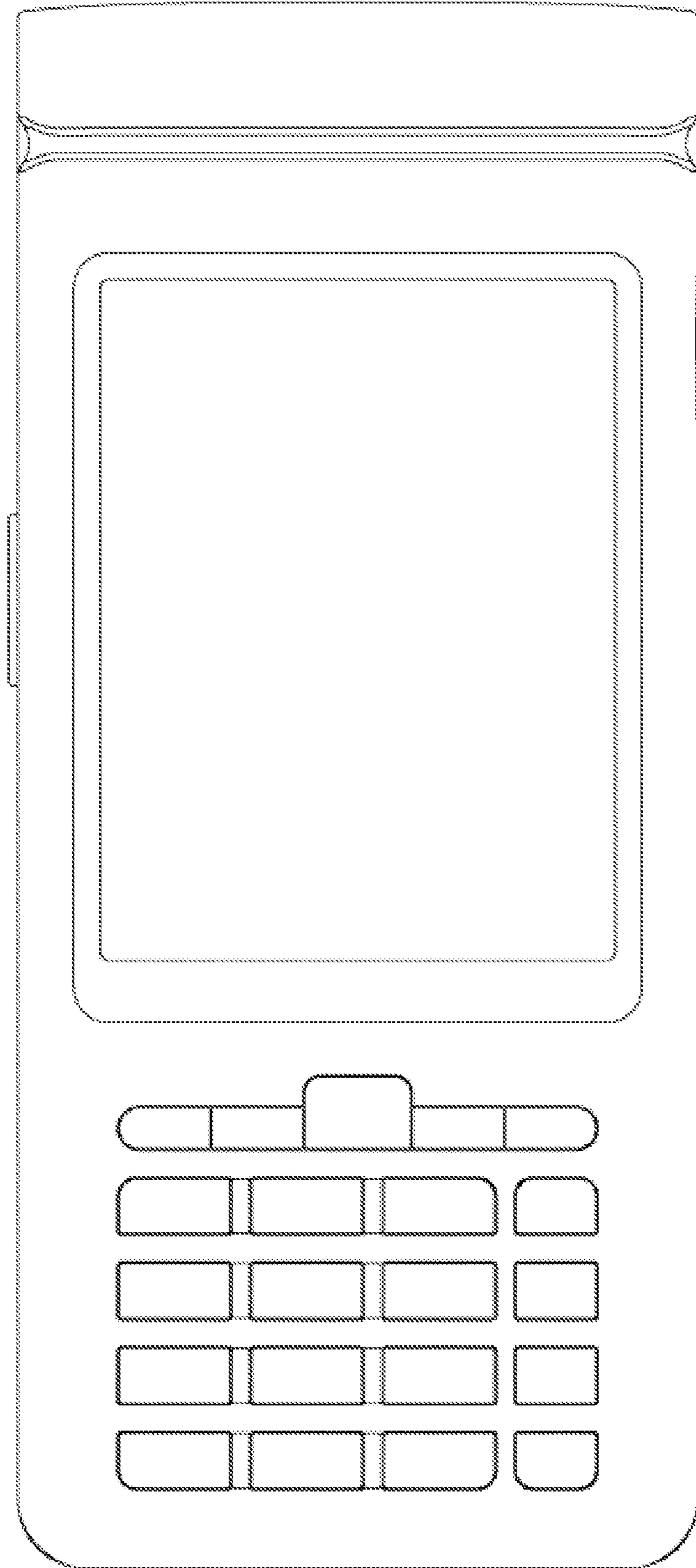


FIG. 1

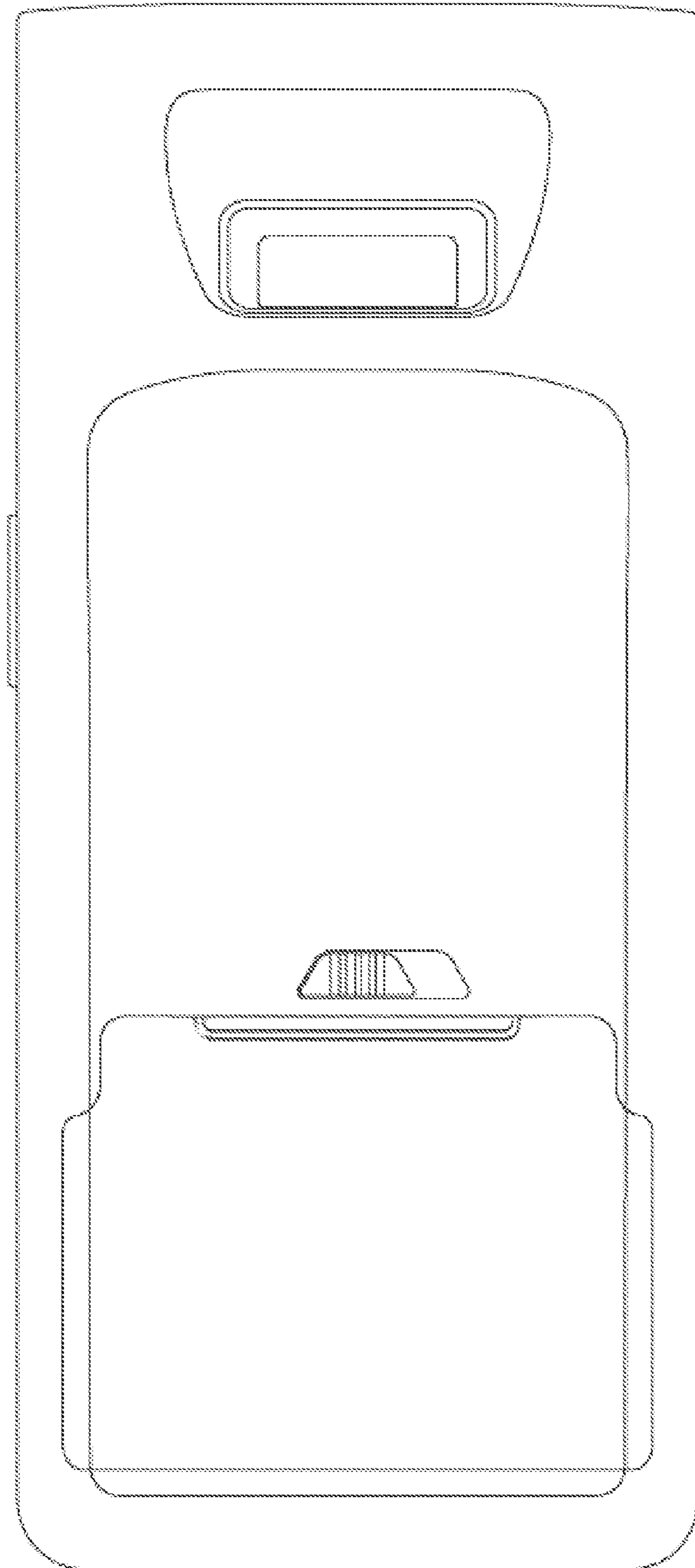


FIG. 2

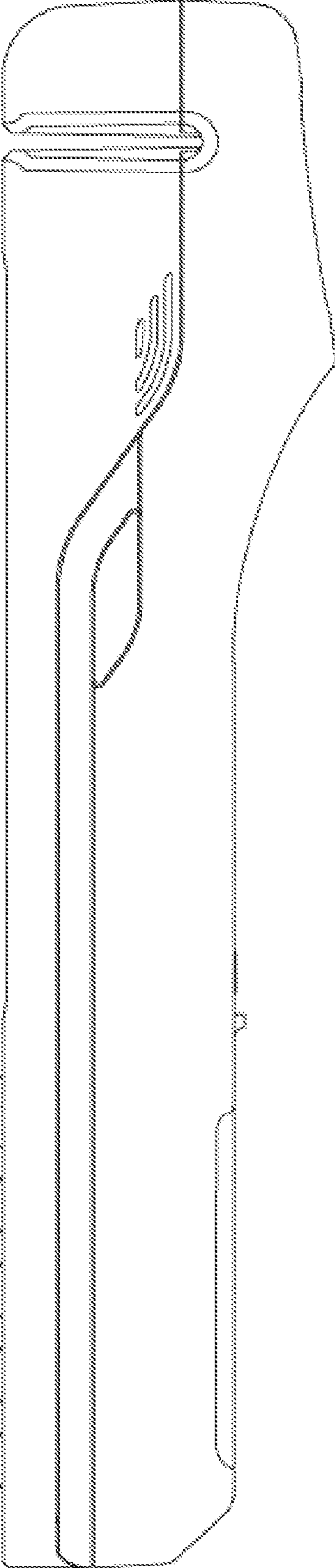


FIG. 3

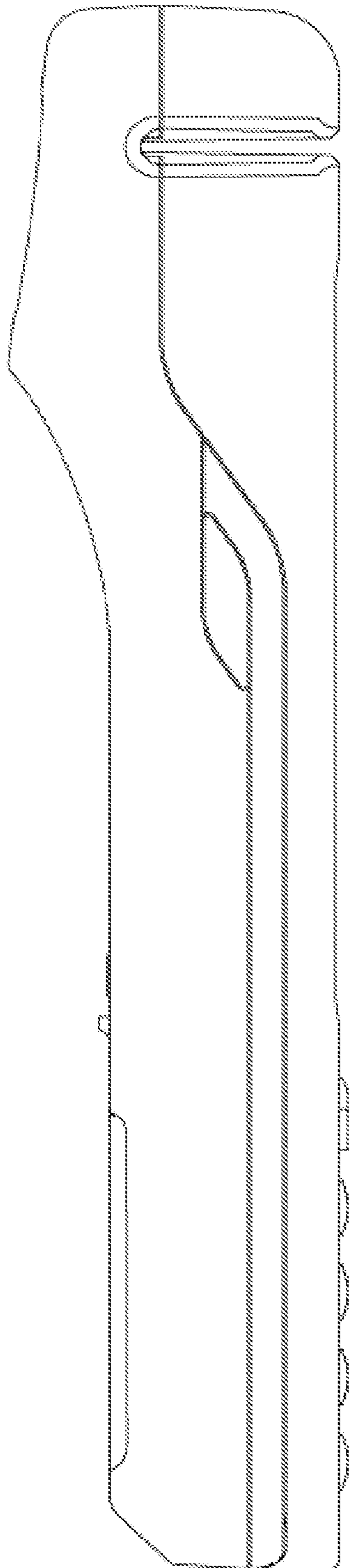


FIG. 4

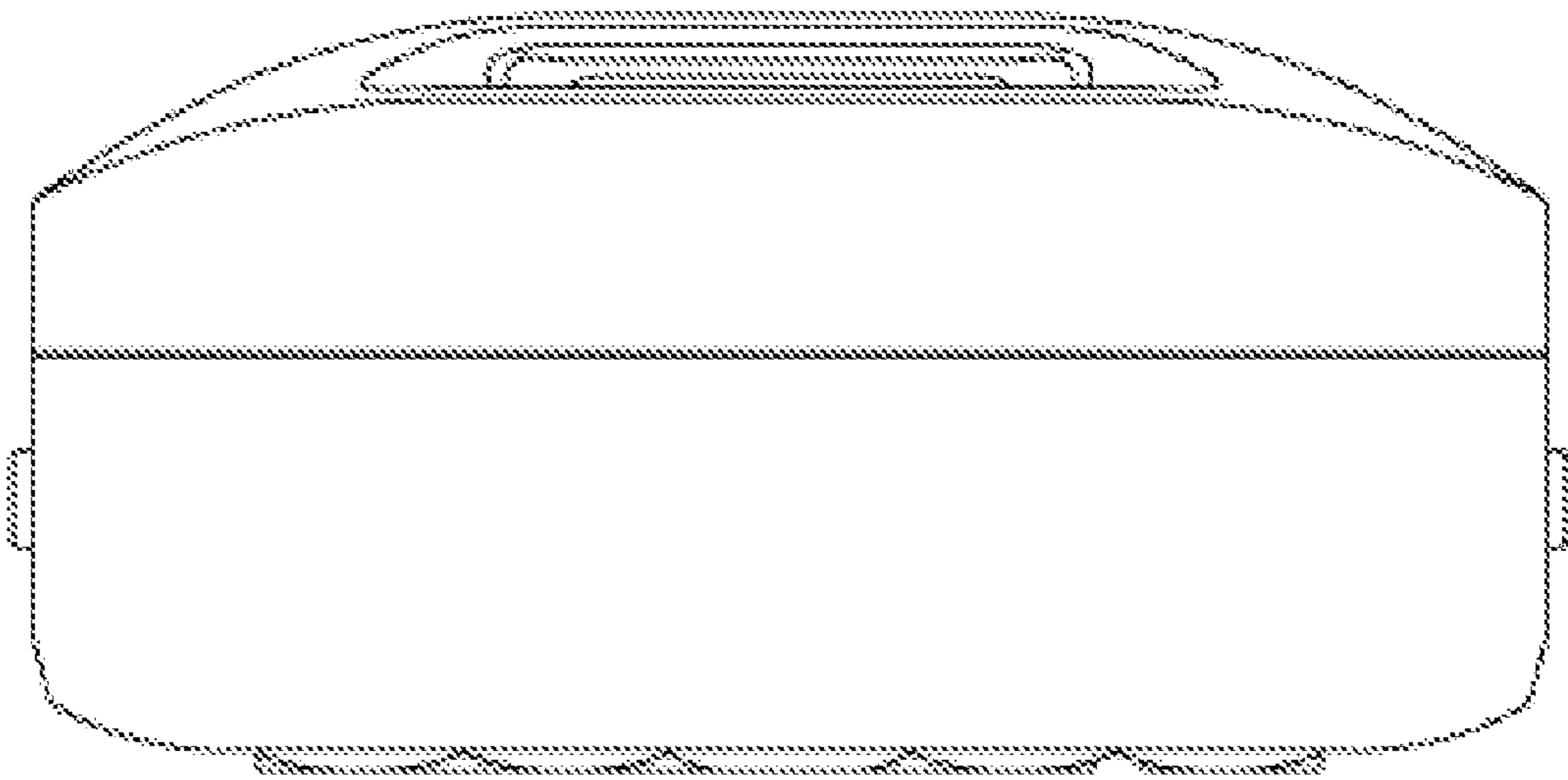


FIG. 5

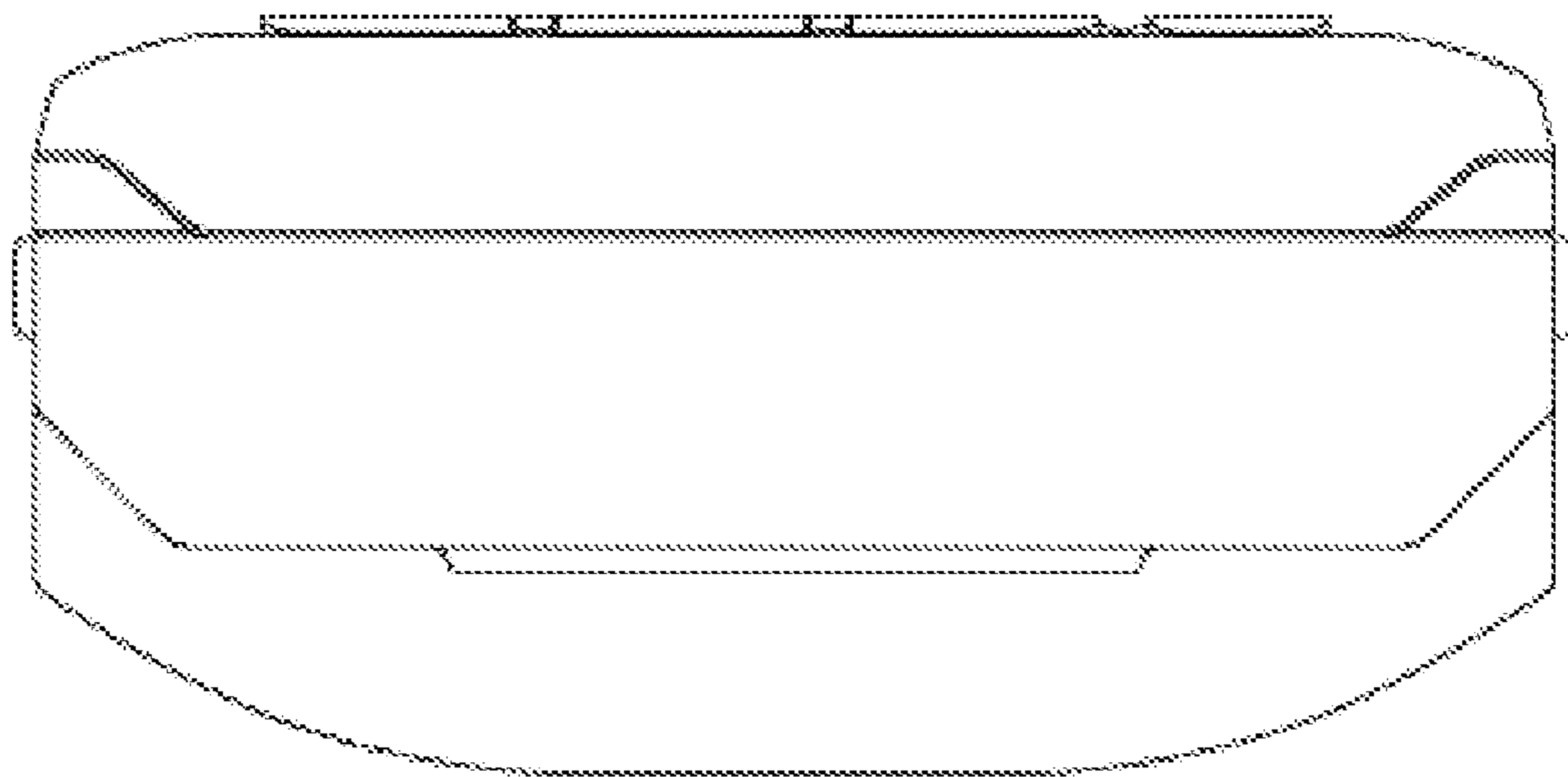


FIG. 6

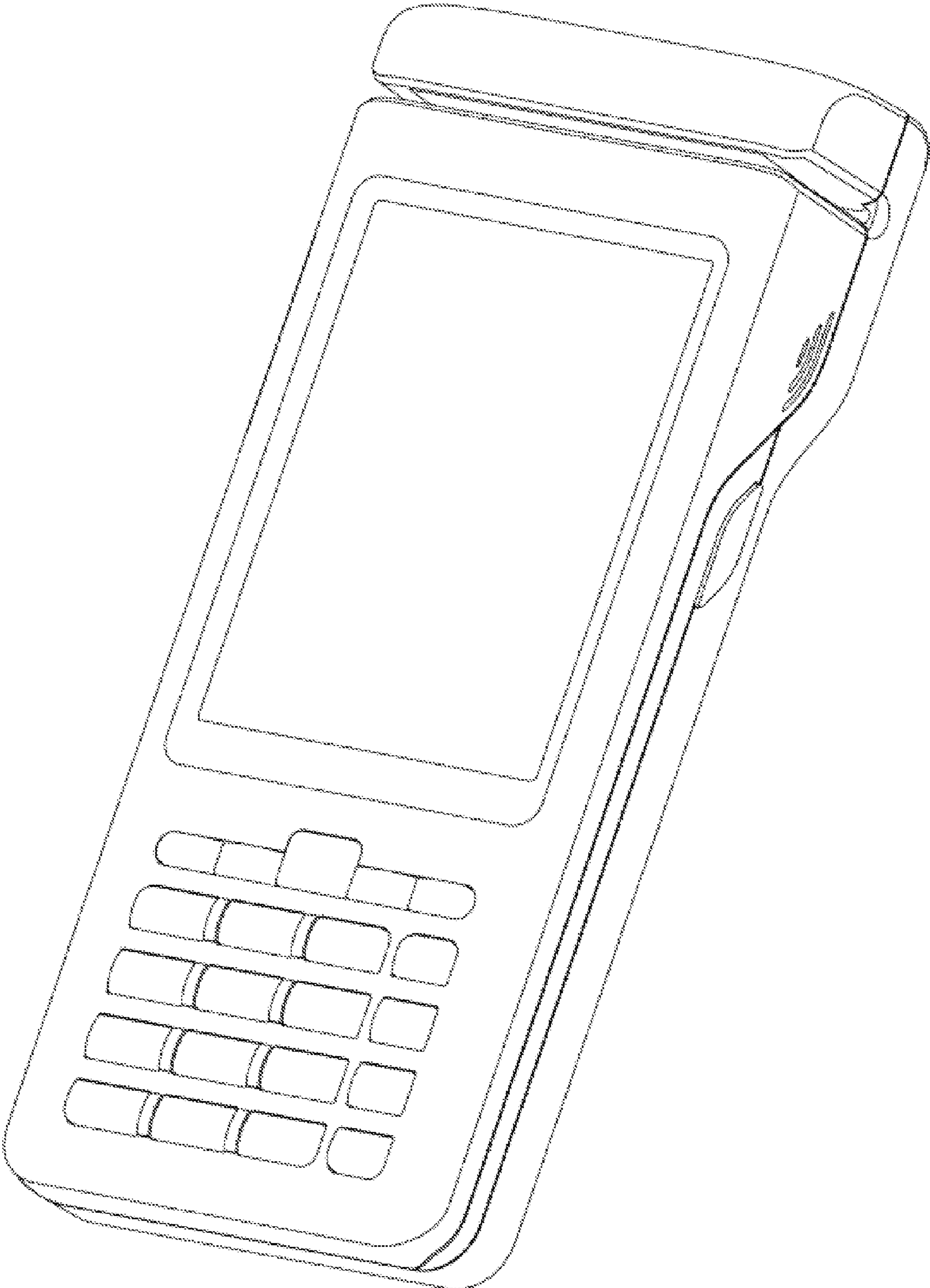


FIG. 7

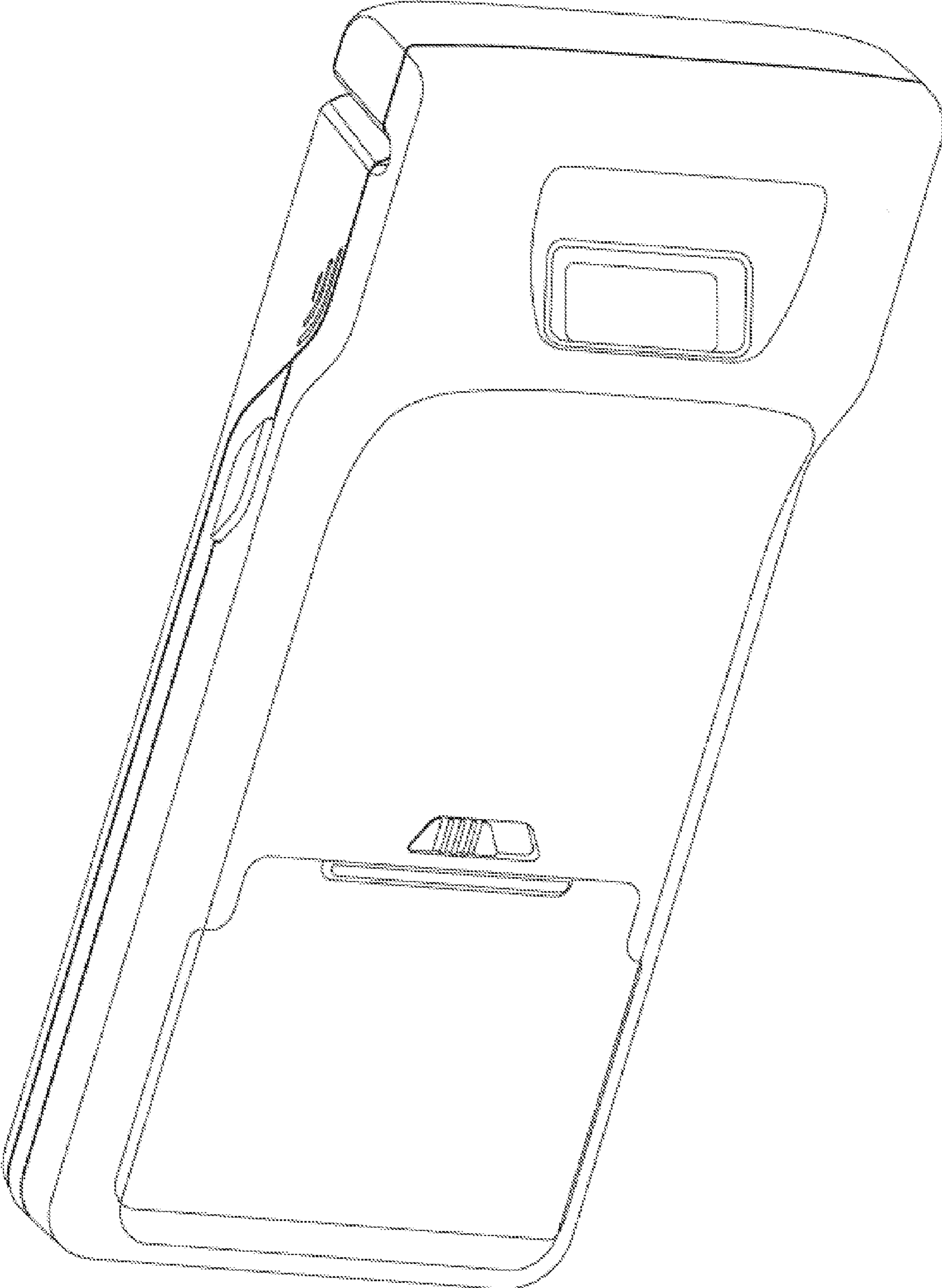


FIG. 8