



US00D672384S

(12) **United States Design Patent**
Brauner et al.

(10) **Patent No.:** **US D672,384 S**

(45) **Date of Patent:** **** Dec. 11, 2012**

(54) **EYEWEAR TEMPLE ARM DEVICE**

(75) Inventors: **Bill E. Brauner**, Angels Camp, CA
(US); **Eivind Clausen**, Bellingham, WA
(US)

(73) Assignee: **Streamworks, Inc.**, Stockton, CA (US)

(**) Term: **14 Years**

(21) Appl. No.: **29/420,849**

(22) Filed: **May 14, 2012**

Related U.S. Application Data

(63) Continuation of application No. 29/376,893, filed on
Oct. 13, 2010, now Pat. No. Des. 662,538.

(51) **LOC (9) Cl.** **16-06**

(52) **U.S. Cl.** **D16/335; D16/338; D16/336**

(58) **Field of Classification Search** D16/101,
D16/300-342, 900; D29/109-110; D24/110.2;
351/41, 44, 51-52, 62, 158, 92, 103-123,
351/140, 153, 45-46; 2/426-432, 447-449,
2/441, 434-437, 13, 15; D21/483, 659-661;
D14/372

See application file for complete search history.

(56) **References Cited**

U.S. PATENT DOCUMENTS

D411,562	S	*	6/1999	Riley	D16/339
6,067,664	A		5/2000	Cortes		
D426,845	S	*	6/2000	Green et al.	D16/309
D490,836	S	*	6/2004	Lewis et al.	D16/330
D542,832	S	*	5/2007	Lewis et al.	D16/330
D616,489	S	*	5/2010	Houstoun	D16/339
7,845,795	B2	*	12/2010	Williams	351/156
D634,354	S	*	3/2011	Schwartz	D16/339

* cited by examiner

Primary Examiner — Raphael Barkai

(74) *Attorney, Agent, or Firm* — Beyer Law Group LLP

(57) **CLAIM**

We claim the ornamental design for an eyewear temple arm device, as shown and described.

DESCRIPTION

FIG. 1 is a perspective view of an eyewear temple arm device showing our new design,

FIG. 2 is another perspective view thereof;

FIG. 3 is a top view thereof,

FIG. 4 is a bottom view thereof,

FIG. 5 is a front view thereof,

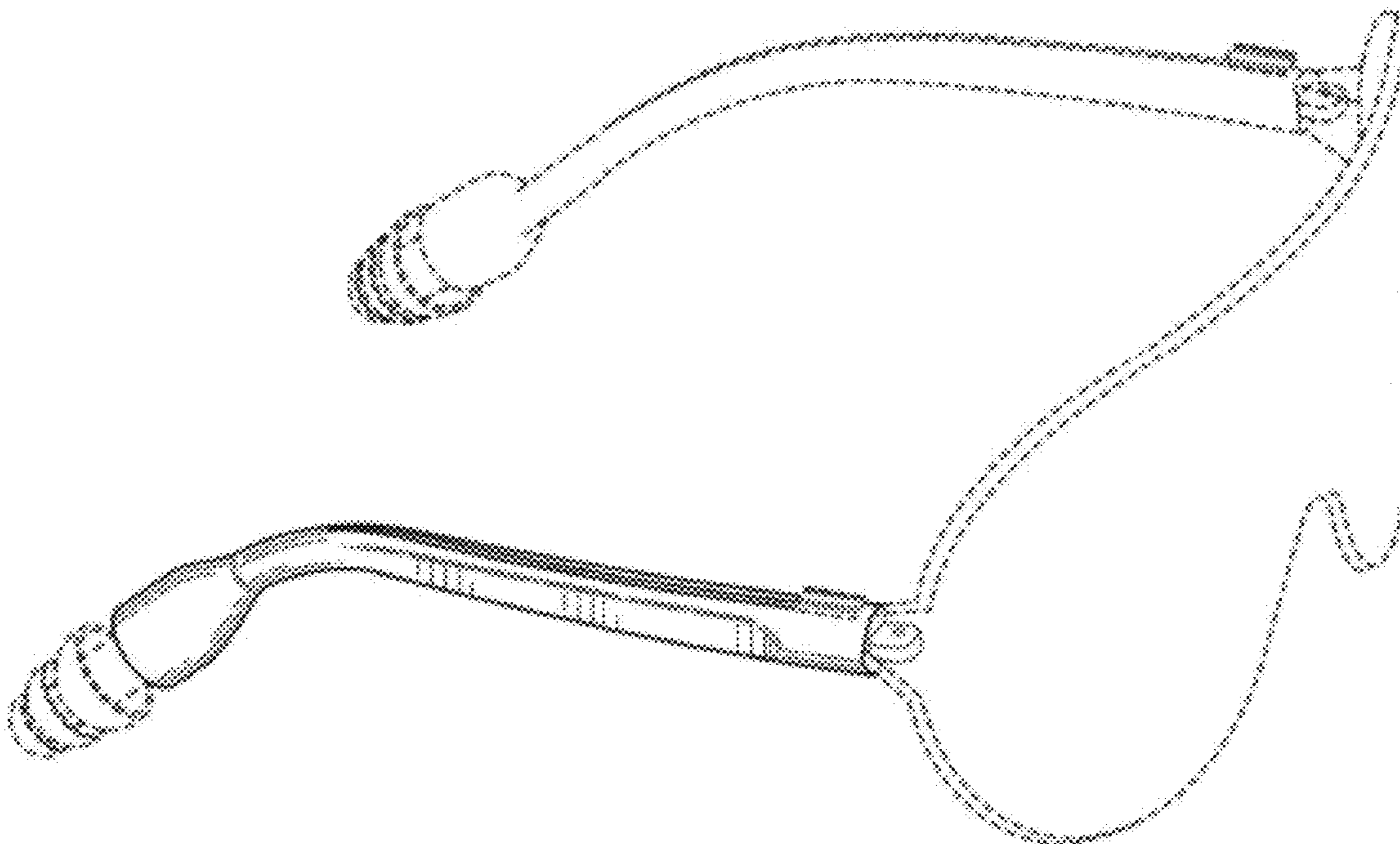
FIG. 6 is a rear view thereof,

FIG. 7 is a left side view thereof; and,

FIG. 8 is a right side view thereof.

The broken lines showing the remaining portions of an eyewear assembly, earplugs and tethers are for illustrative purposes only and form no part of the claimed design.

1 Claim, 6 Drawing Sheets



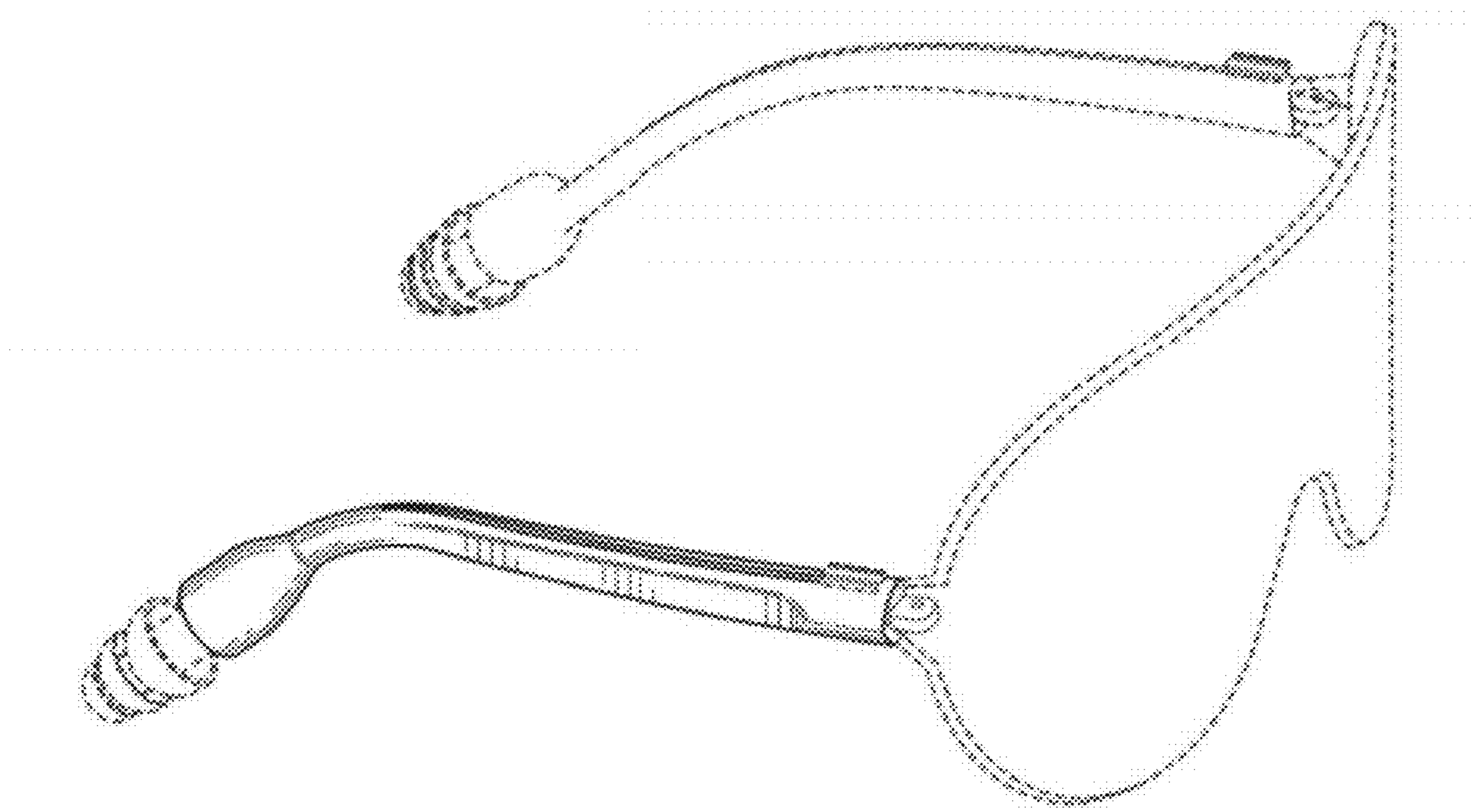
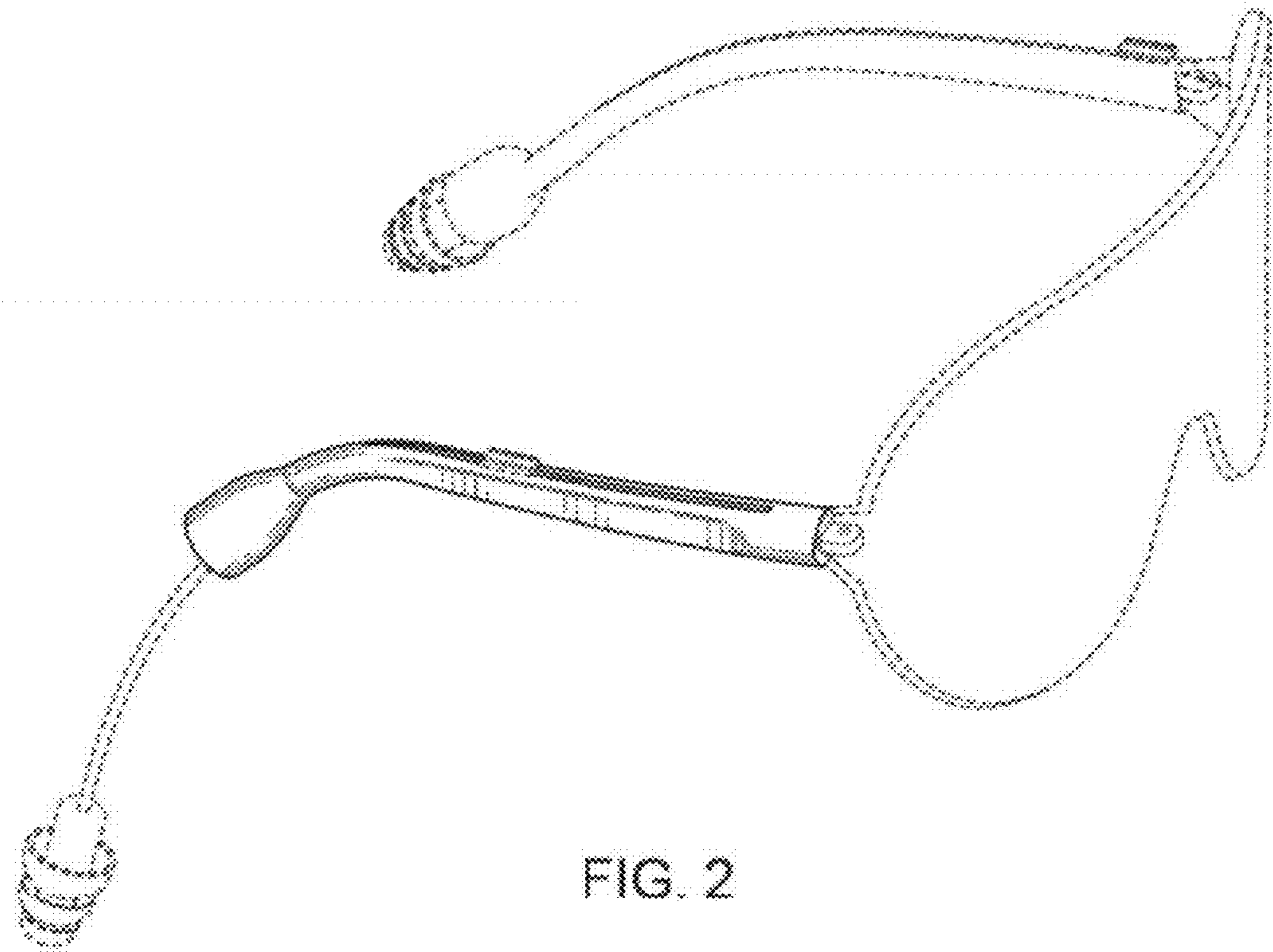


FIG. 1



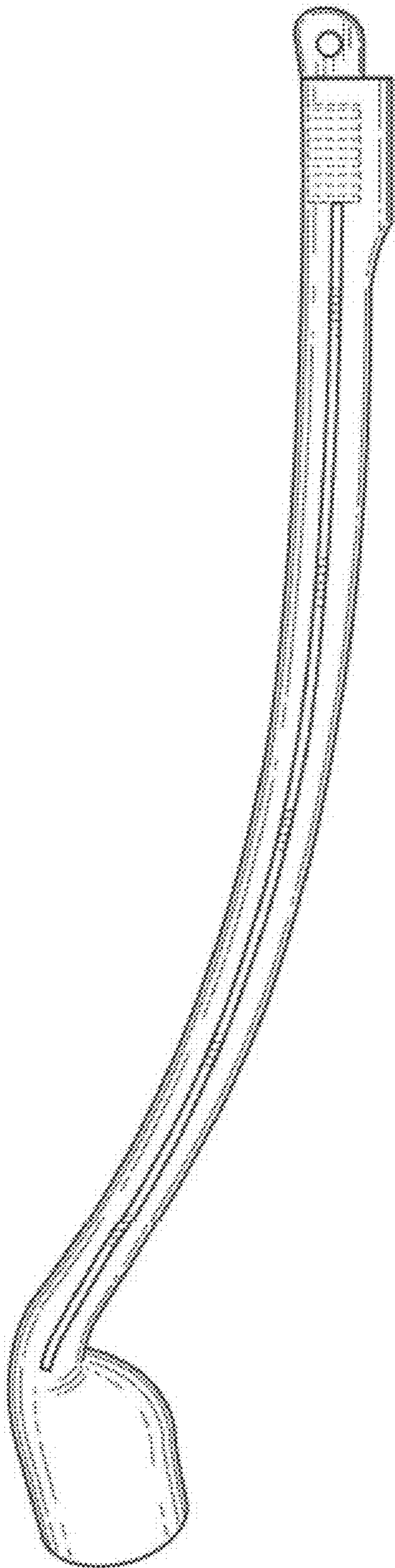


FIG. 3

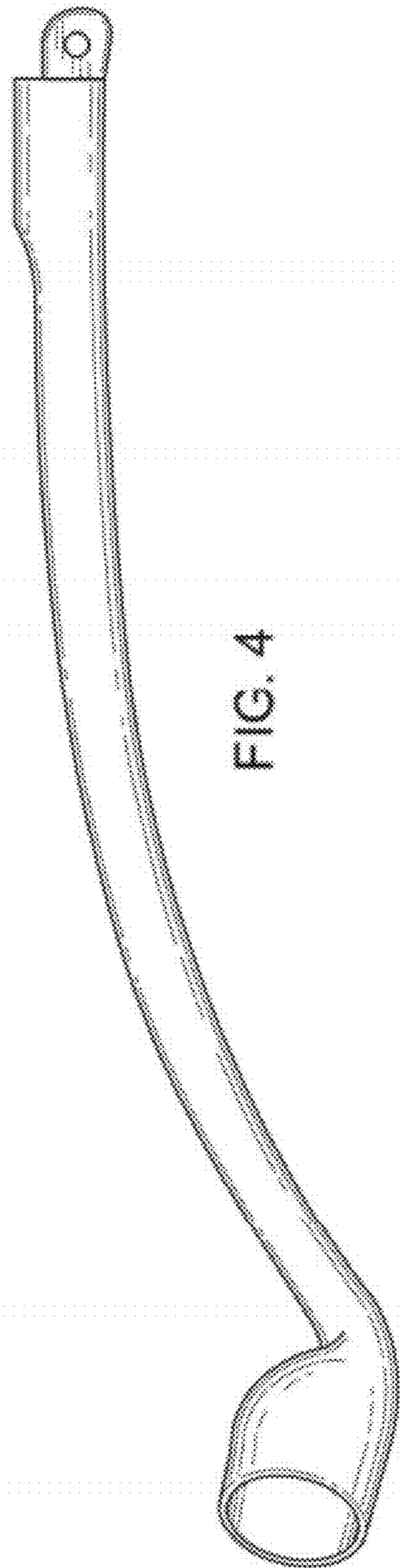


FIG. 4

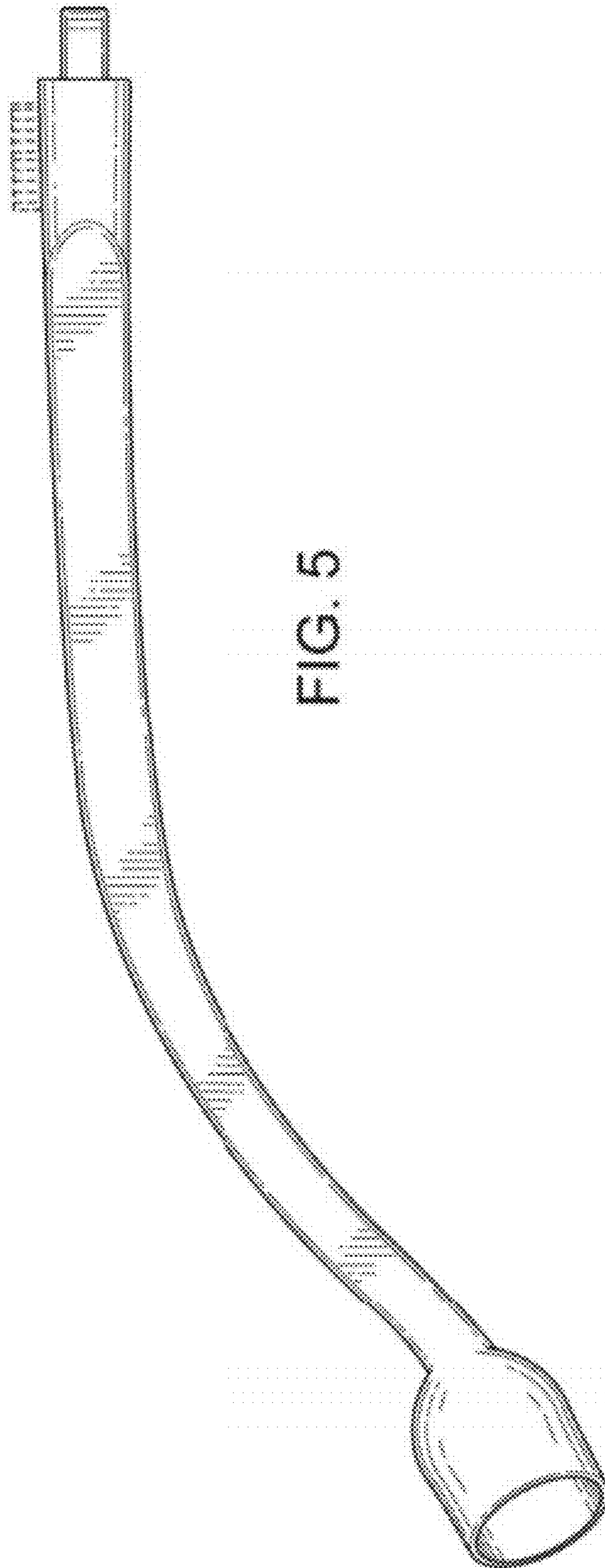


FIG. 5

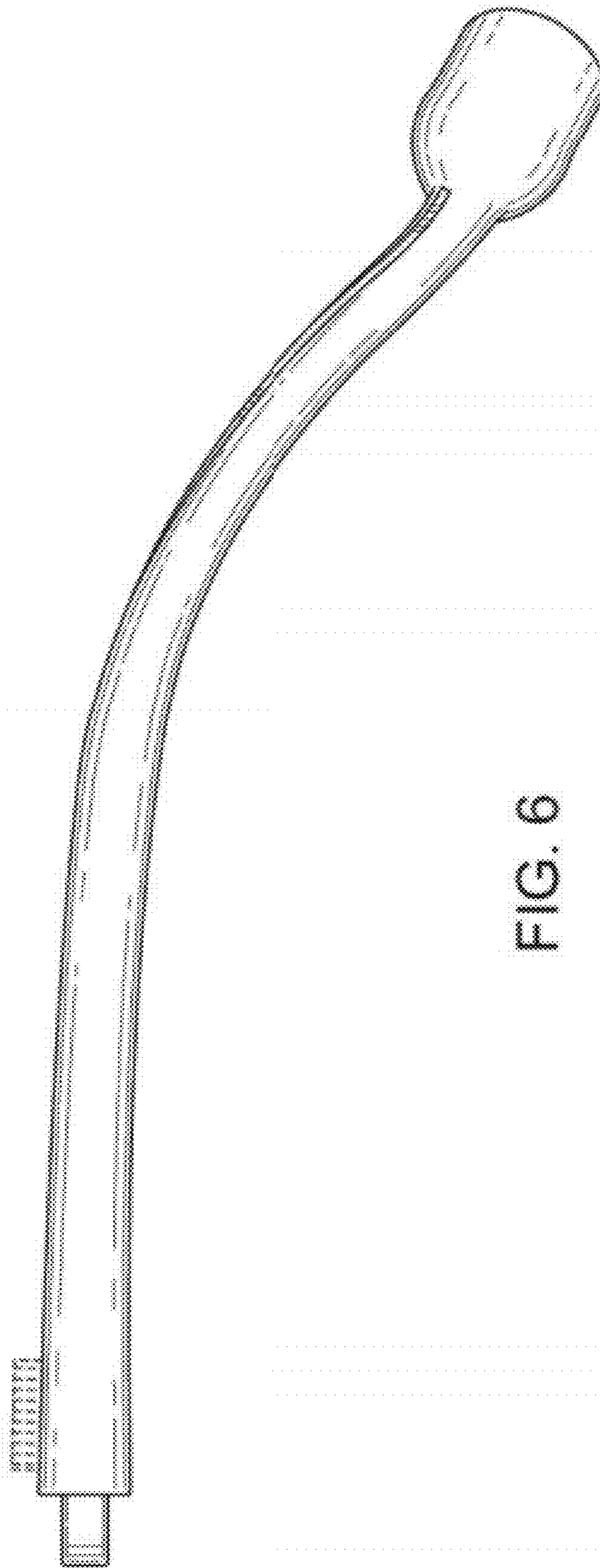


FIG. 6

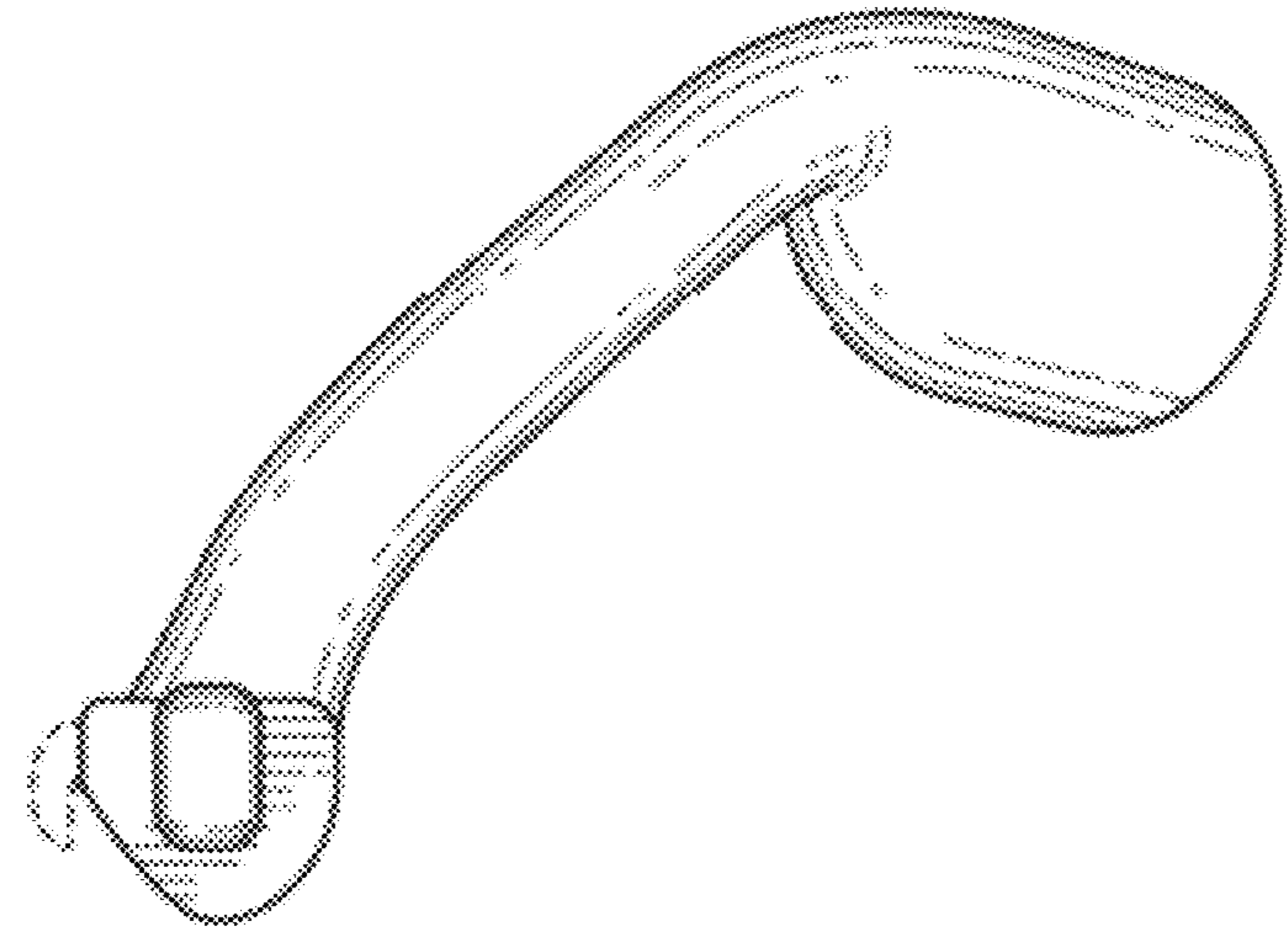


FIG. 8

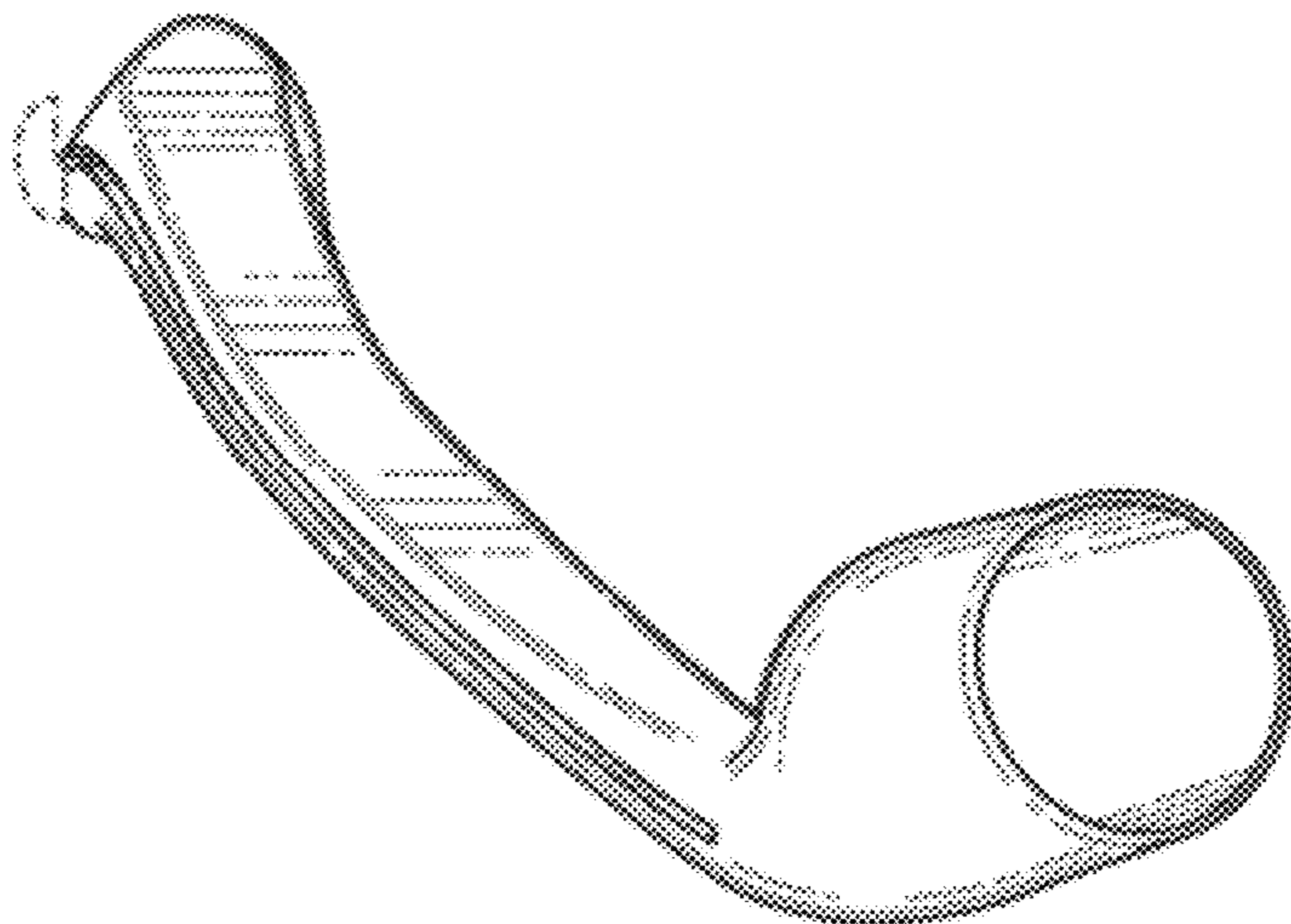


FIG. 7