



US00D672383S

(12) **United States Design Patent**
Tan

(10) **Patent No.:** **US D672,383 S**

(45) **Date of Patent:** **** Dec. 11, 2012**

(54) **CROSS SHAPE DIGITAL PHOTO VIEWER**

(76) Inventor: **Patrick Tan**, Wellington (NZ)

(**) Term: **14 Years**

(21) Appl. No.: **29/396,646**

(22) Filed: **Aug. 30, 2011**

(51) **LOC (9) Cl.** **16-05**

(52) **U.S. Cl.** **D16/237; D6/308**

(58) **Field of Classification Search** D16/221,
D16/225, 236, 130; D6/308, 300; D9/667;
D11/14, 48, 81, 96, 99; D99/25, 27; 353/120,
353/122, 115, 119, 22-23, DIG. 3, DIG. 5;
359/472-476; 40/361-362, 364, 366-367;
428/7; D10/6; D14/341, 126

See application file for complete search history.

(56) **References Cited**

U.S. PATENT DOCUMENTS

- D229,791 S * 1/1974 De Fano et al.
- D270,061 S * 8/1983 Ackeret D6/308
- D390,861 S * 2/1998 Liao D16/225
- D392,110 S * 3/1998 Tsui D6/308

- D522,549 S * 6/2006 Jupiter D16/130
- D596,595 S * 7/2009 Messner D14/126
- D599,223 S * 9/2009 Bialek-Wester D10/6

* cited by examiner

Primary Examiner — Wan Laymon

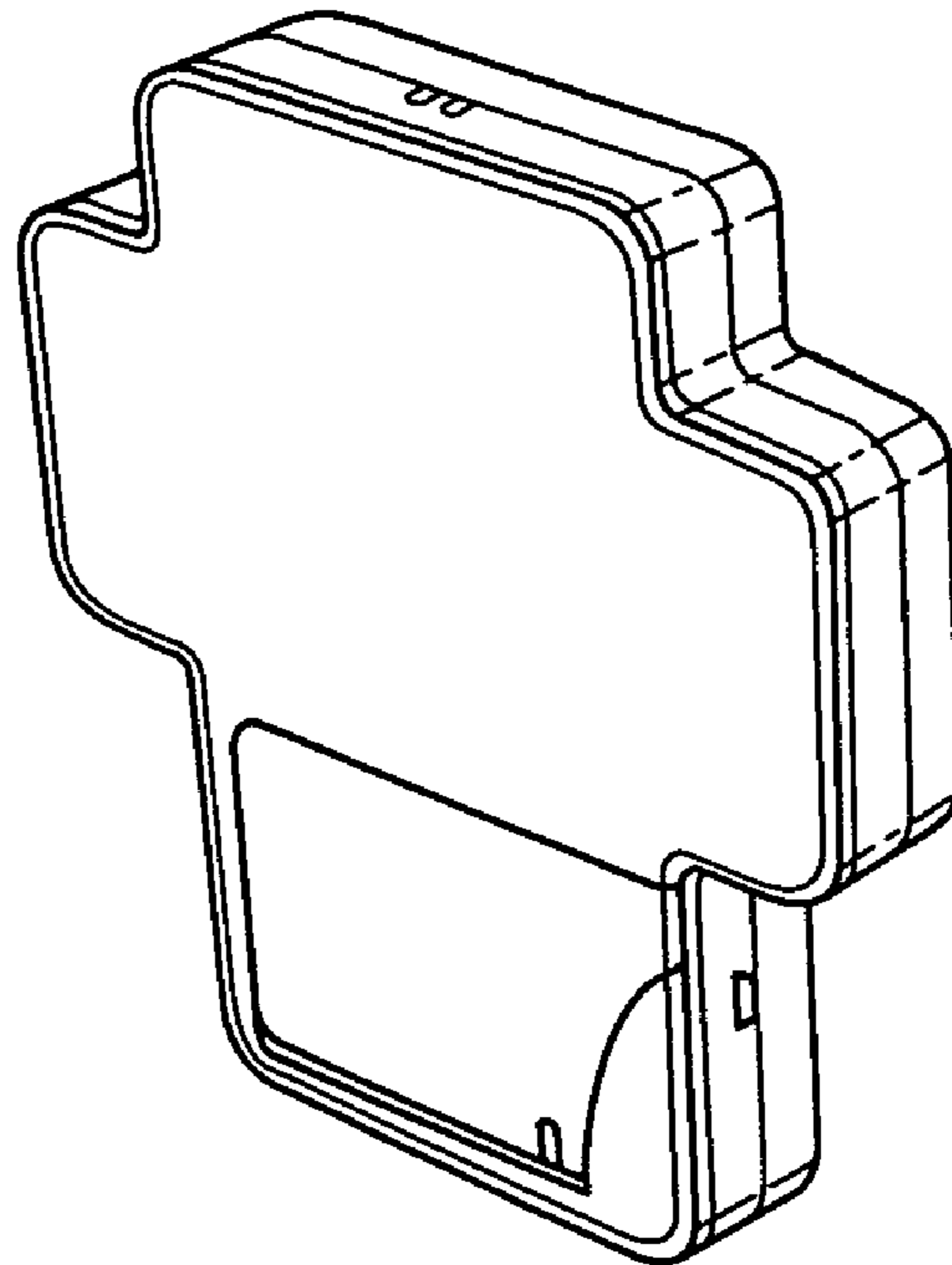
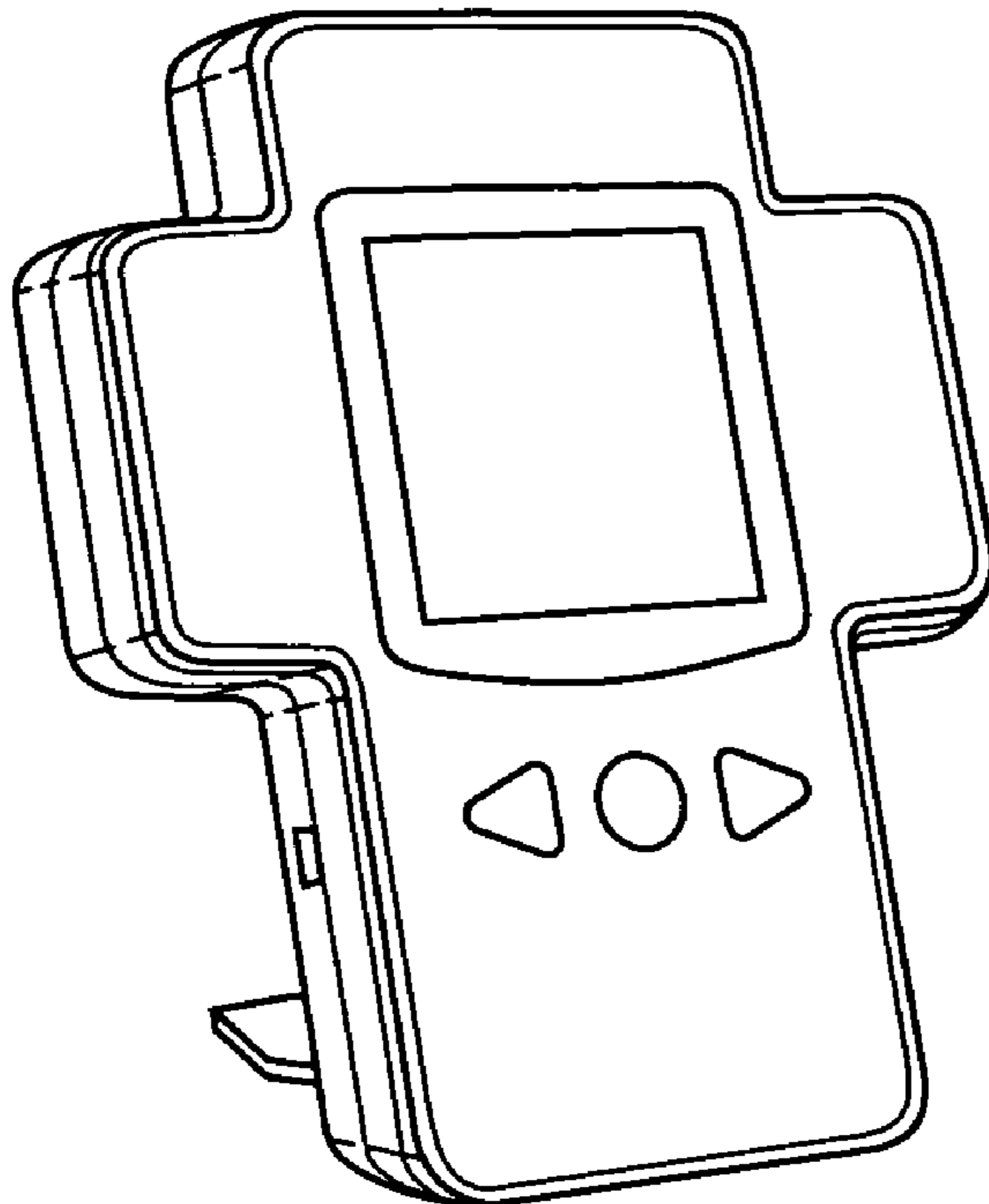
(57) **CLAIM**

The ornamental design for a cross shape digital photo viewer, as shown and described.

DESCRIPTION

FIG. 1 is a front perspective view of a cross shape digital photo viewer;
 FIG. 2 is a back perspective view with its stand opened thereof;
 FIG. 3 is a back perspective view with its stand closed thereof;
 FIG. 4 is a front view thereof;
 FIG. 5 is a back view with its stand closed thereof;
 FIG. 6 is a left view thereof;
 FIG. 7 is a right view thereof;
 FIG. 8 is a top view thereof; and,
 FIG. 9 is a bottom view thereof.

1 Claim, 1 Drawing Sheet



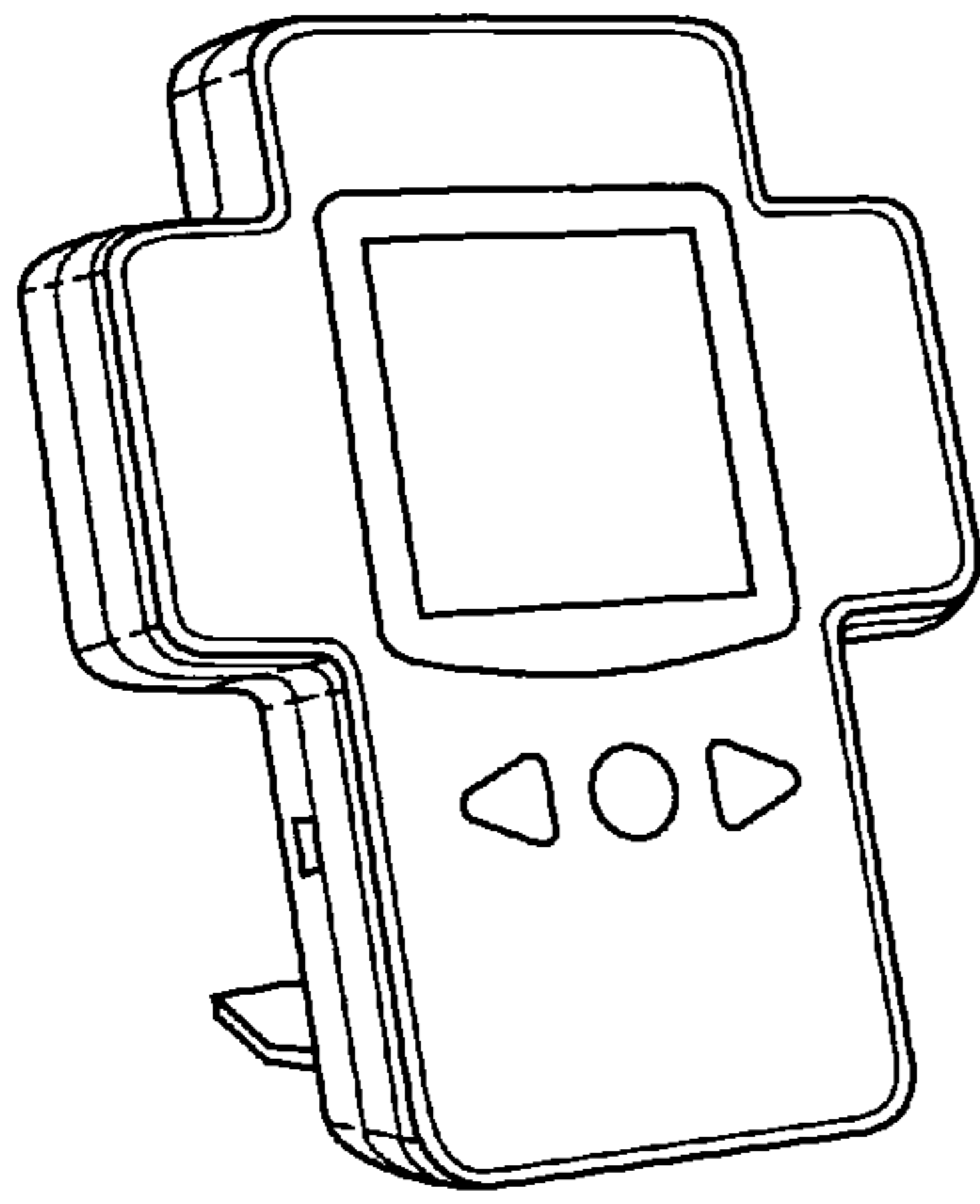


Fig. 1

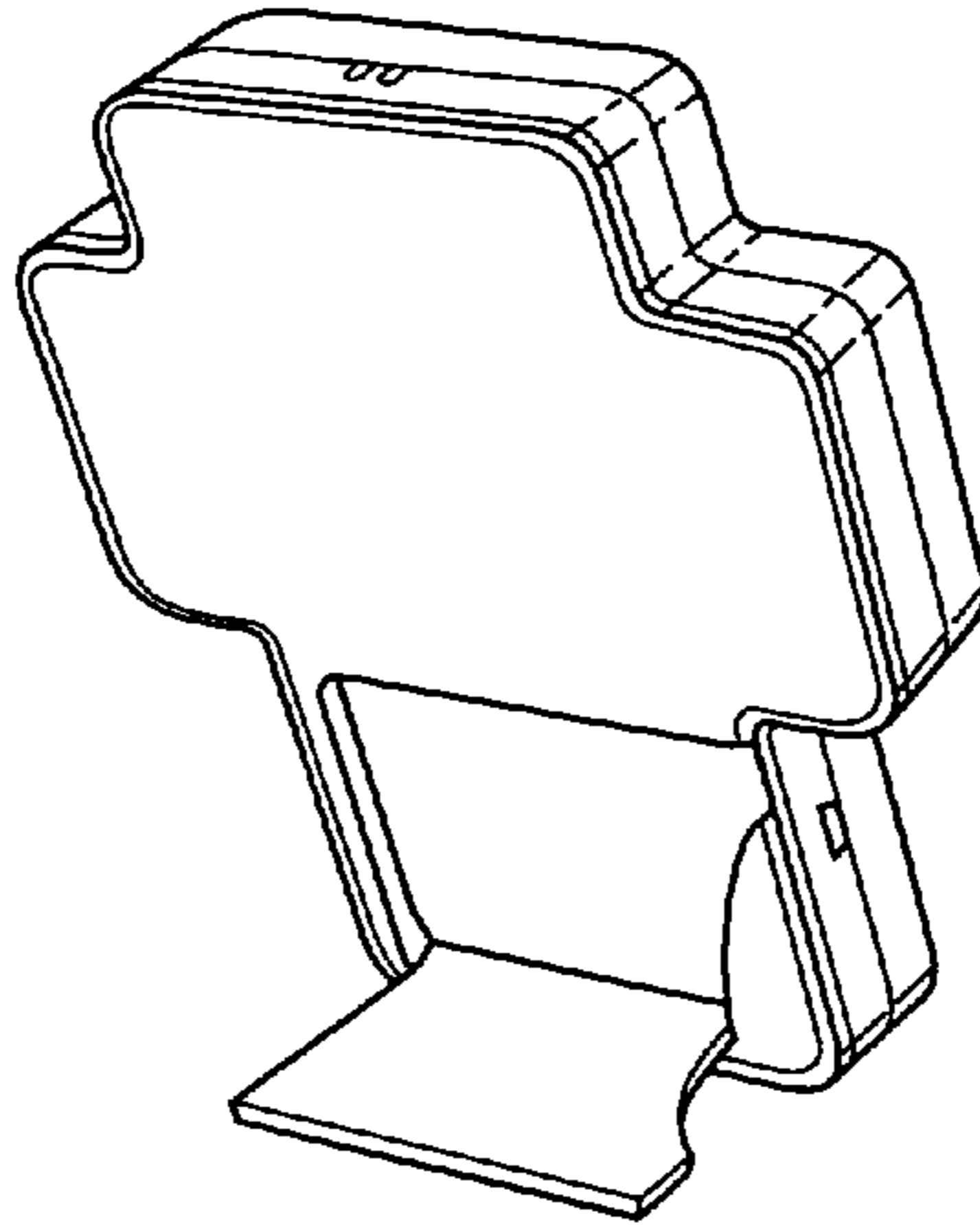


Fig. 2

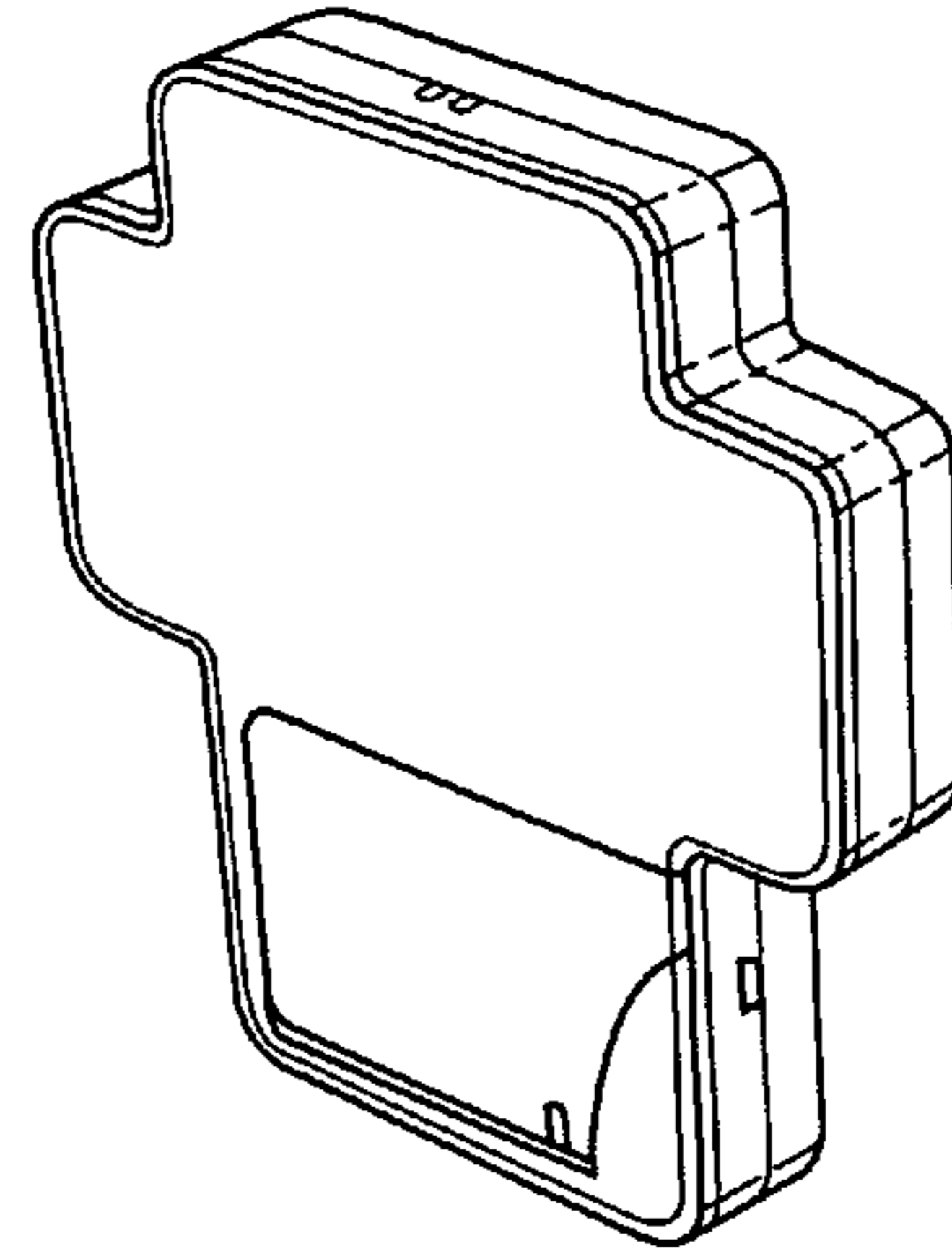


Fig. 3

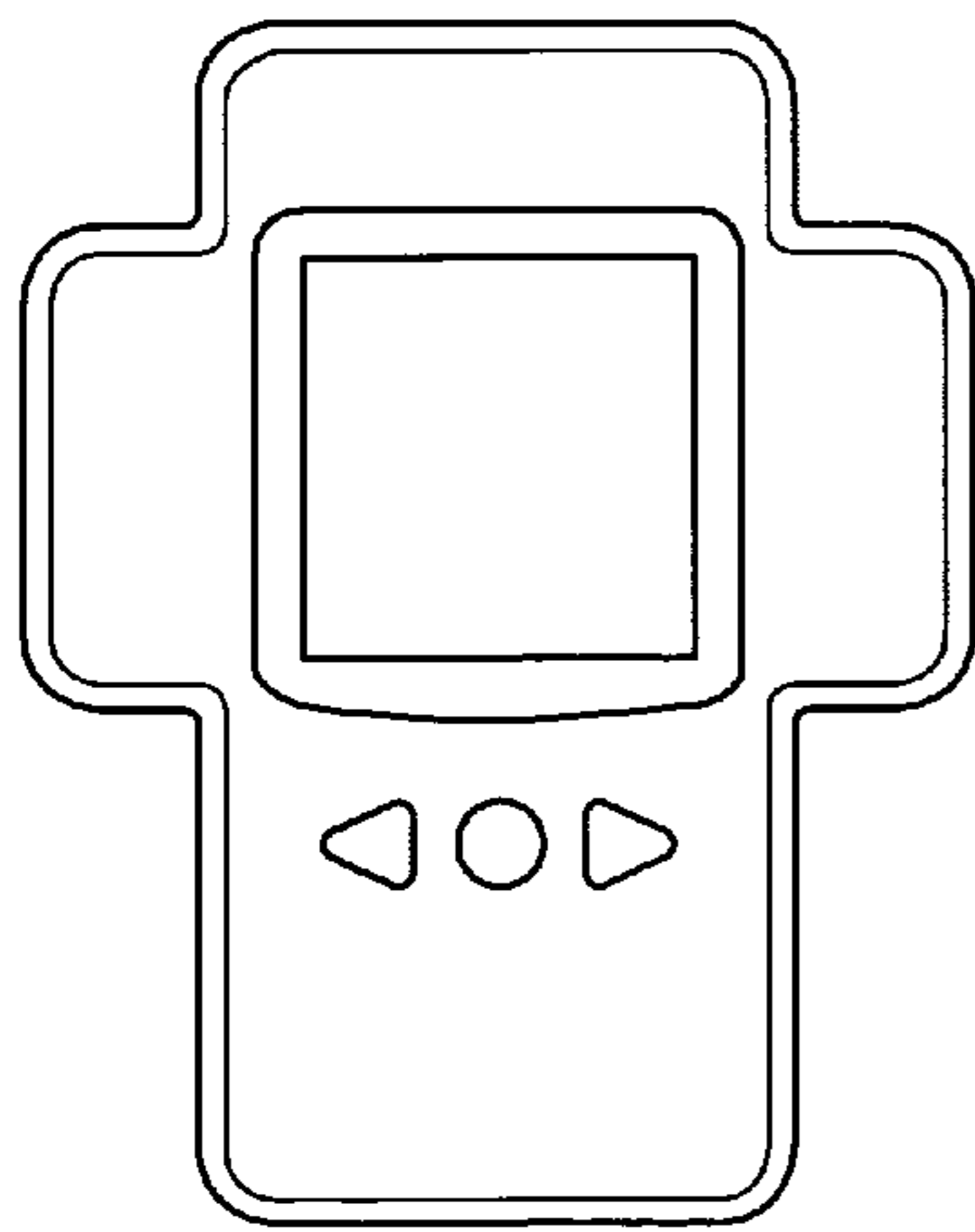


Fig. 4

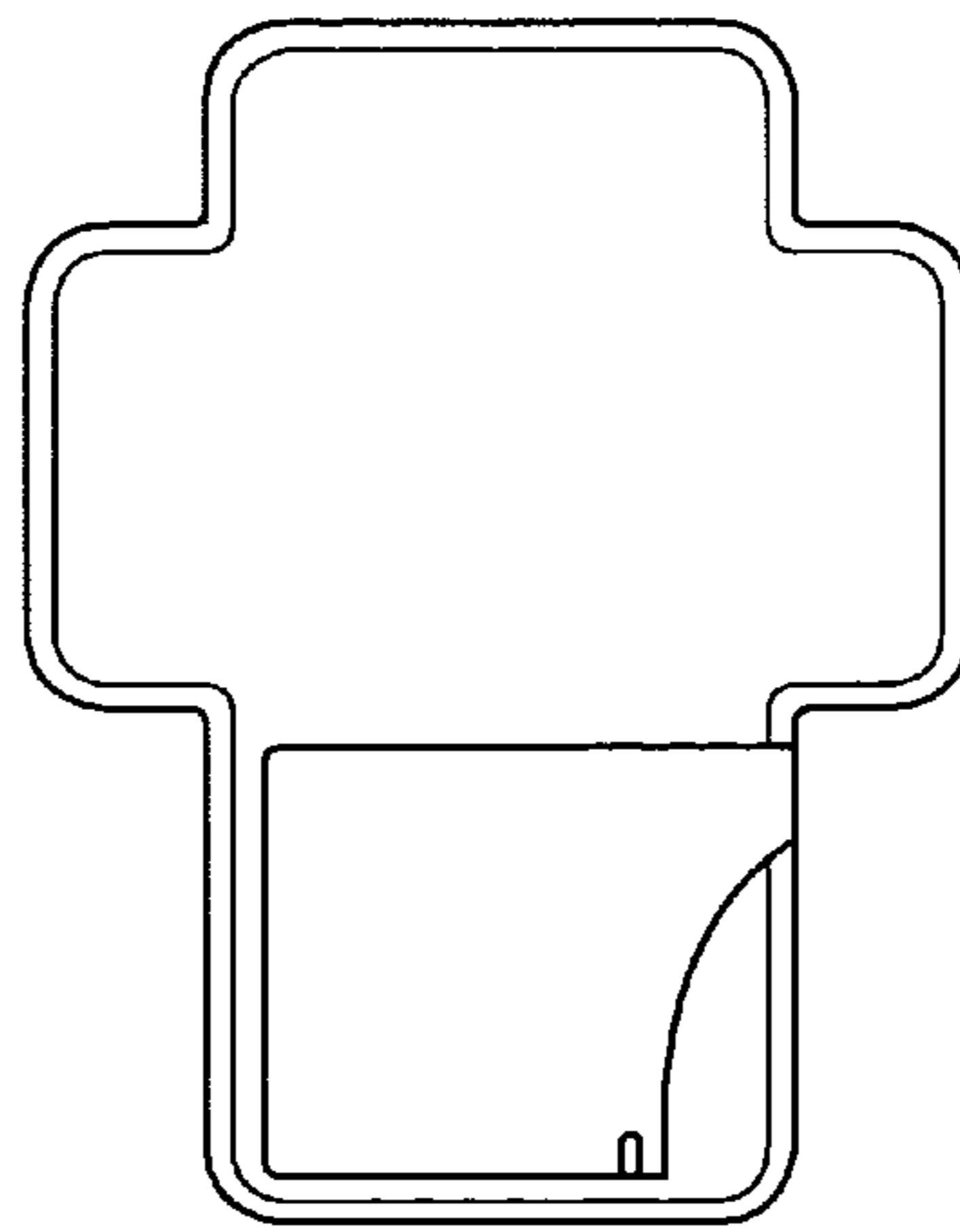


Fig. 5

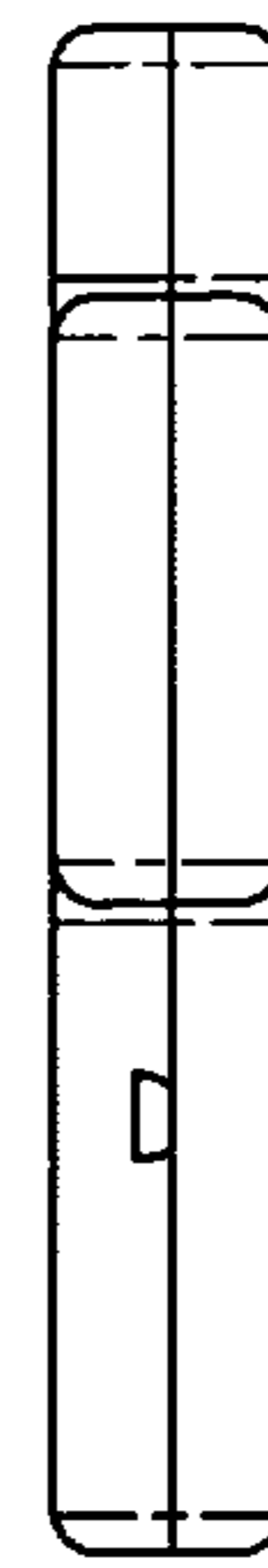


Fig. 6

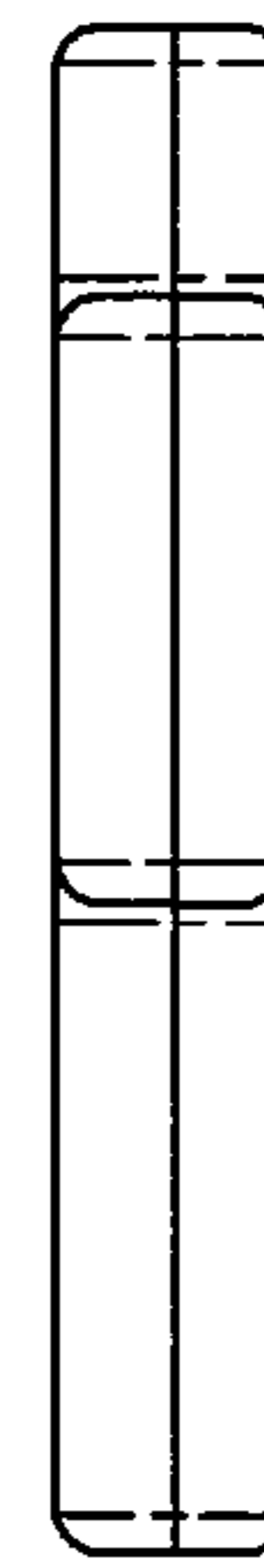


Fig. 7

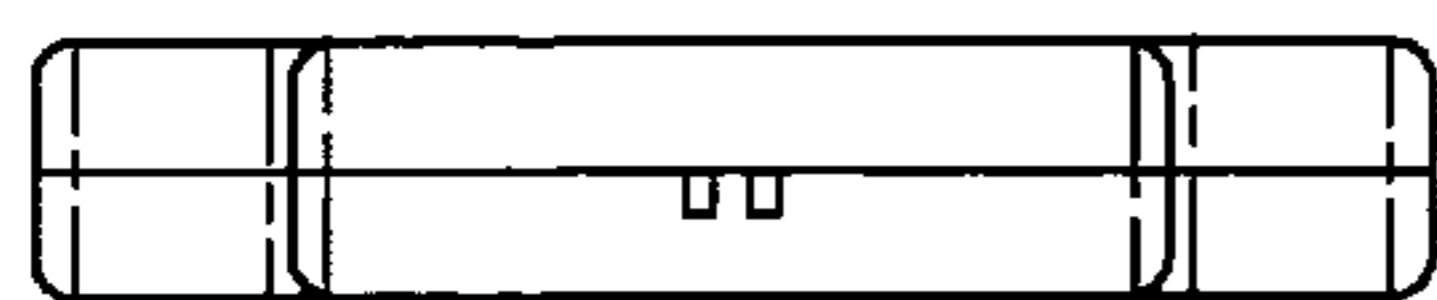


Fig. 8

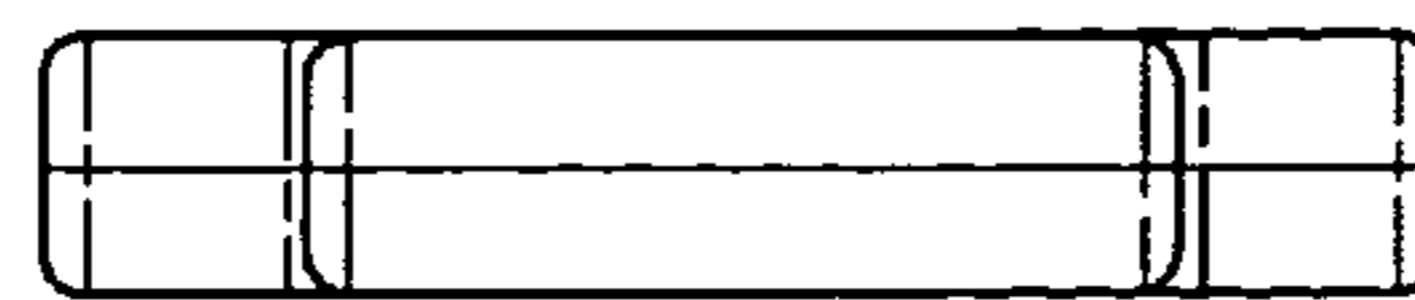


Fig. 9