



US00D672381S

(12) **United States Design Patent**
Wunnicke et al.

(10) **Patent No.:** **US D672,381 S**

(45) **Date of Patent:** **** Dec. 11, 2012**

(54) **BINOCULARS**

(75) Inventors: **Michael Wunnicke**, Sherwood, OR
(US); **David D. Lewin**, Portland, OR
(US)

(73) Assignee: **Leupold & Stevens, Inc.**, Beaverton,
OR (US)

(**) Term: **14 Years**

(21) Appl. No.: **29/405,333**

(22) Filed: **Nov. 1, 2011**

(51) **LOC (9) Cl.** **16-06**

(52) **U.S. Cl.** **D16/133**

(58) **Field of Classification Search** D16/133;
359/407-409, 411-420, 429, 804, 809, 816,
359/831, 835; D21/483

See application file for complete search history.

(56) **References Cited**

U.S. PATENT DOCUMENTS

D246,653	S	*	12/1977	Tomatsuri	D16/133
D255,364	S	*	6/1980	Lange	D16/133
D307,154	S	*	4/1990	Shishikura	D16/133
D412,921	S	*	8/1999	Hayamizu	D16/133
6,266,185	B1	*	7/2001	Miller et al.	359/407
D448,394	S	*	9/2001	Ueda et al.	D16/133
D486,507	S	*	2/2004	Fujii	D16/133
D492,711	S	*	7/2004	Watanabe	D16/133
D510,097	S	*	9/2005	Meinzer	D16/133
D590,855	S	*	4/2009	Watanabe	D16/133
D592,690	S	*	5/2009	Steiner	D16/133
D621,431	S	*	8/2010	Holbl	D16/133
D651,629	S	*	1/2012	Carley et al.	D16/133

OTHER PUBLICATIONS

Leupold & Stevens, "Mohave Series Binoculars," Leupold 2009
Optics catalog, 2009, p. 76. Available at least as early as Nov. 2009.

* cited by examiner

Primary Examiner — Paula Greene

(74) *Attorney, Agent, or Firm* — Stoel Rives LLP

(57) **CLAIM**

We claim the ornamental design for binoculars, as shown and described.

DESCRIPTION

FIG. 1 is an isometric view of binoculars showing our new design;

FIG. 2 is a top plan view thereof;

FIG. 3 is a left side view thereof;

FIG. 4 is an eyepiece end elevational view thereof;

FIG. 5 is a bottom plan view thereof;

FIG. 6 is an objective end elevational view thereof;

FIG. 7 is a second embodiment of an isometric view of binoculars showing our new design;

FIG. 8 is a top plan view thereof;

FIG. 9 is a left side view thereof;

FIG. 10 is an eyepiece end elevational view thereof;

FIG. 11 is a bottom plan view thereof;

FIG. 12 is an objective end elevational view thereof;

FIG. 13 is a third embodiment of an isometric view of binoculars showing our new design;

FIG. 14 is a top plan view thereof;

FIG. 15 is a left side view thereof;

FIG. 16 is an eyepiece end elevational view thereof;

FIG. 17 is a bottom plan view thereof;

FIG. 18 is an objective end elevational view thereof;

FIG. 19 is a fourth embodiment of an isometric view of binoculars showing our new design;

FIG. 20 is a top plan view thereof;

FIG. 21 is a left side view thereof;

FIG. 22 is an eyepiece end elevational view thereof;

FIG. 23 is a bottom plan view thereof;

FIG. 24 is an objective end elevational view thereof;

FIG. 25 is a fifth embodiment of an isometric view of binoculars showing our new design;

FIG. 26 is a top plan view thereof;

FIG. 27 is a left side view thereof;

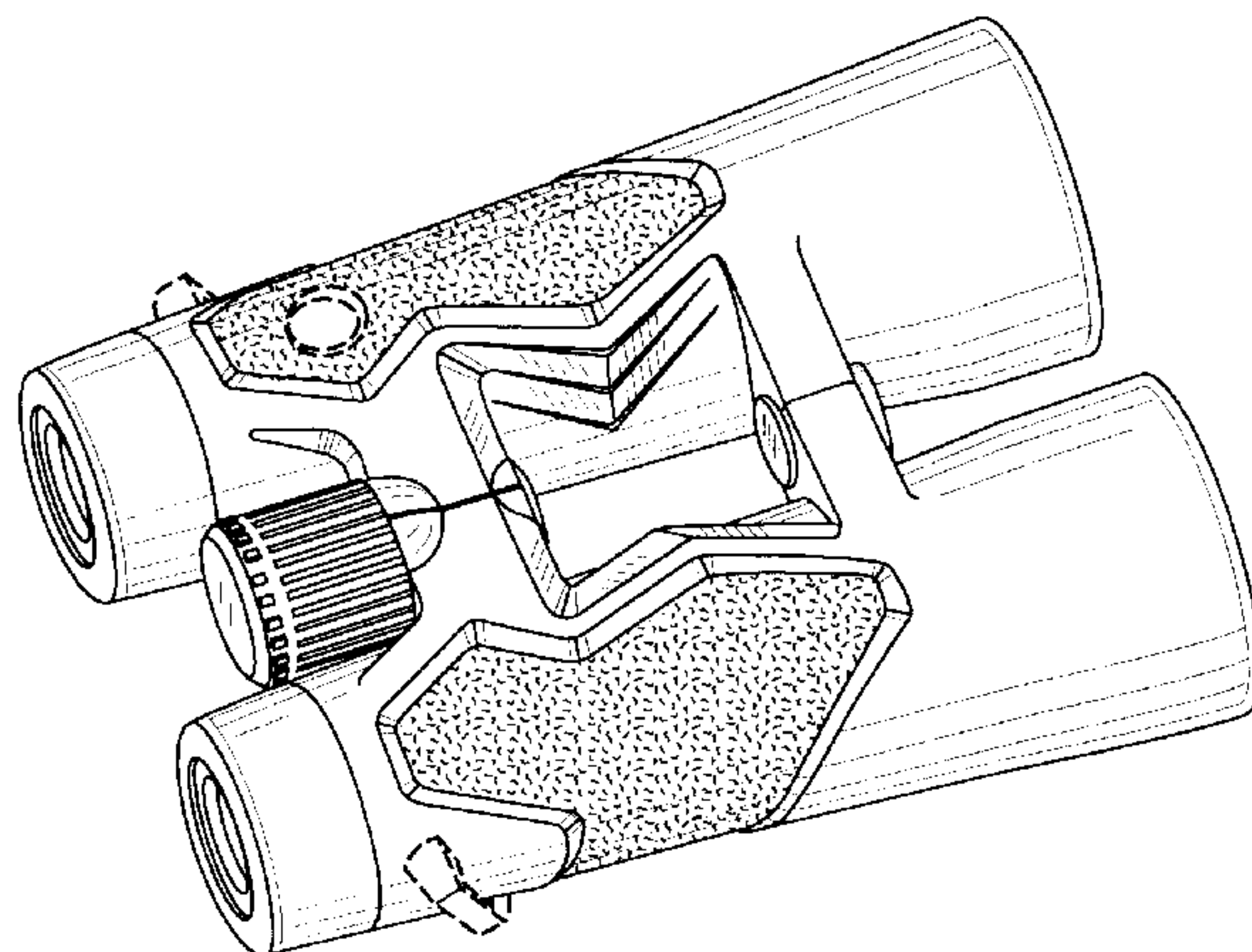
FIG. 28 is an eyepiece end elevational view thereof;

FIG. 29 is a bottom plan view thereof; and,

FIG. 30 is an objective end elevational view thereof.

The broken lines form no part of the claimed design.

1 Claim, 10 Drawing Sheets



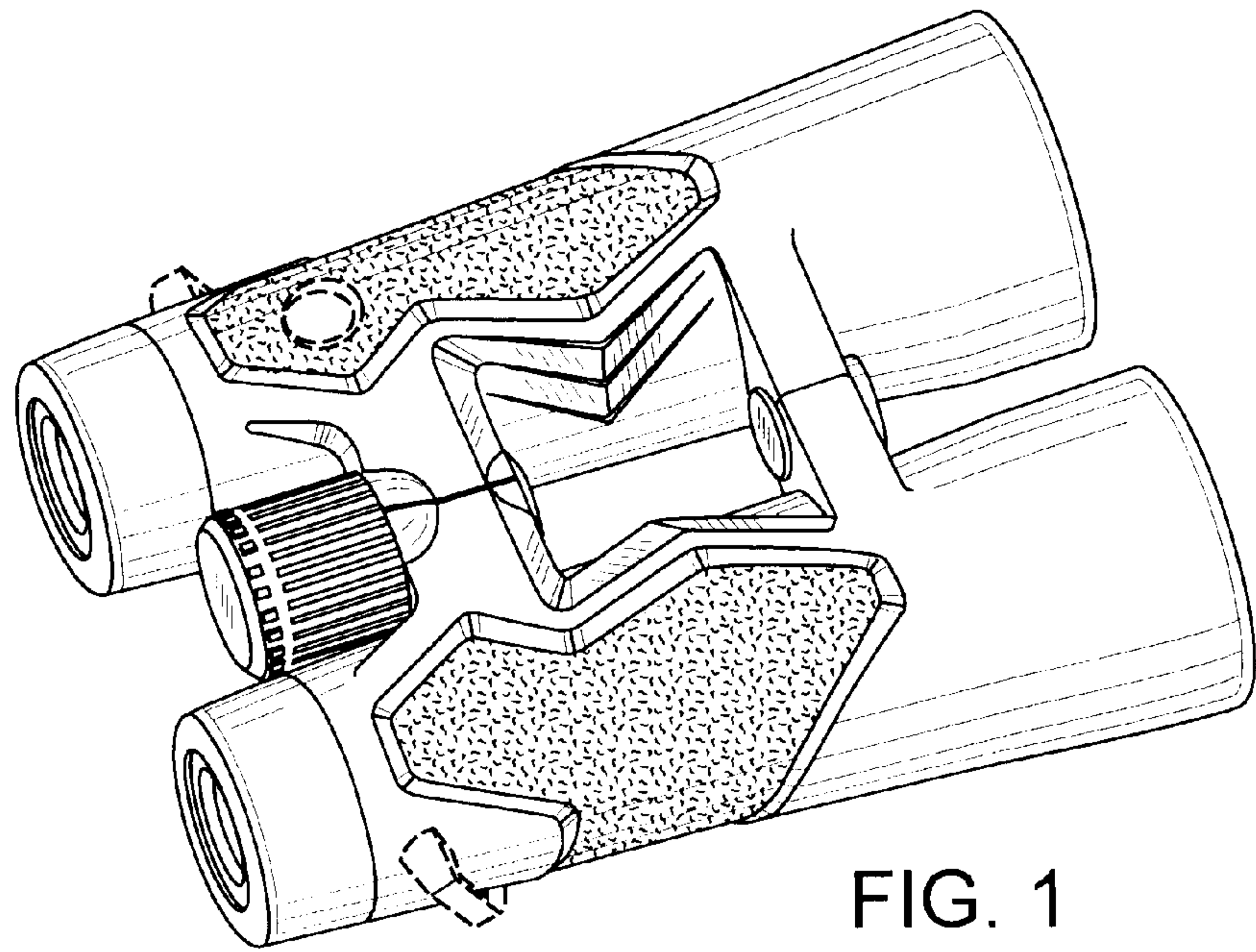


FIG. 1

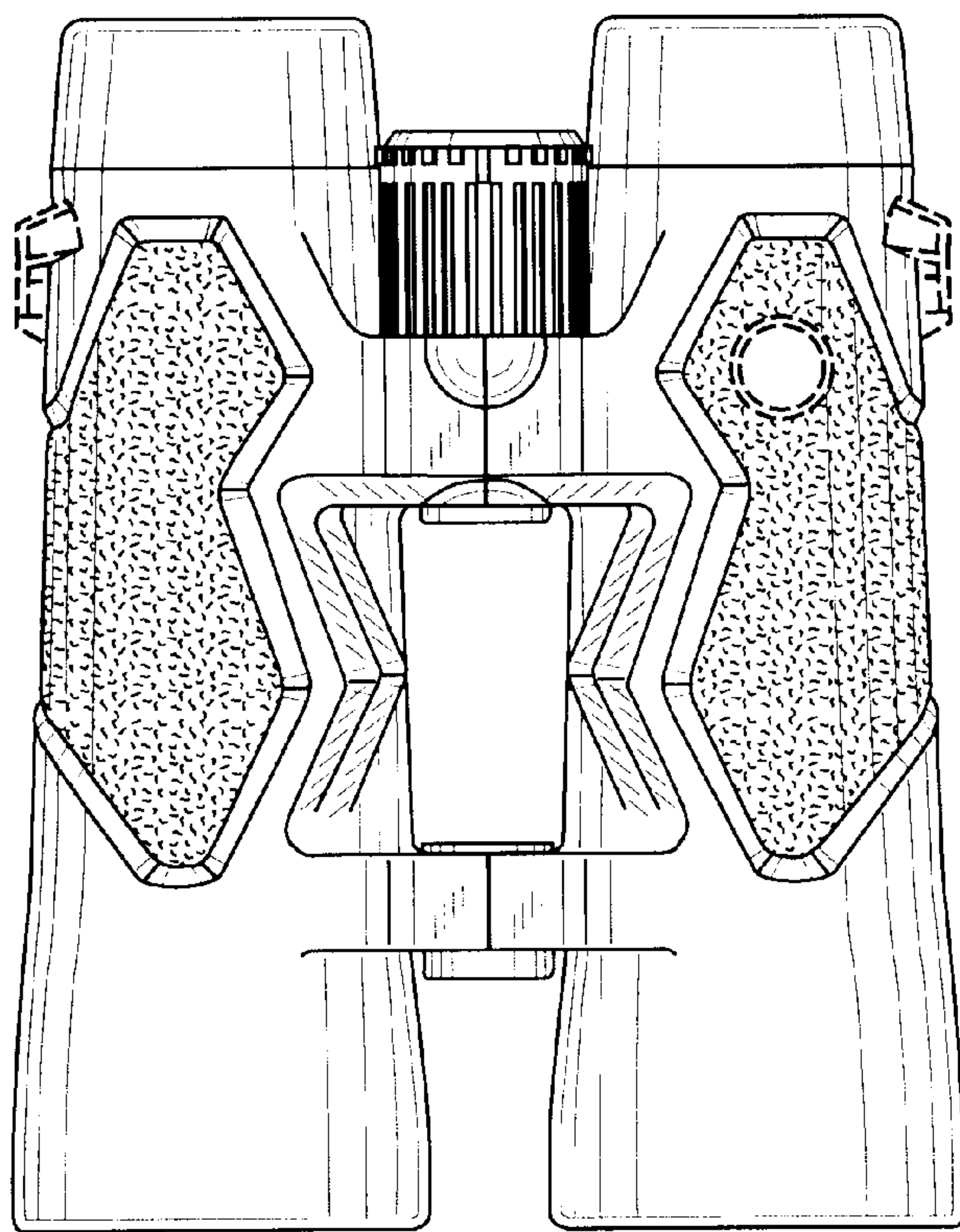


FIG. 2

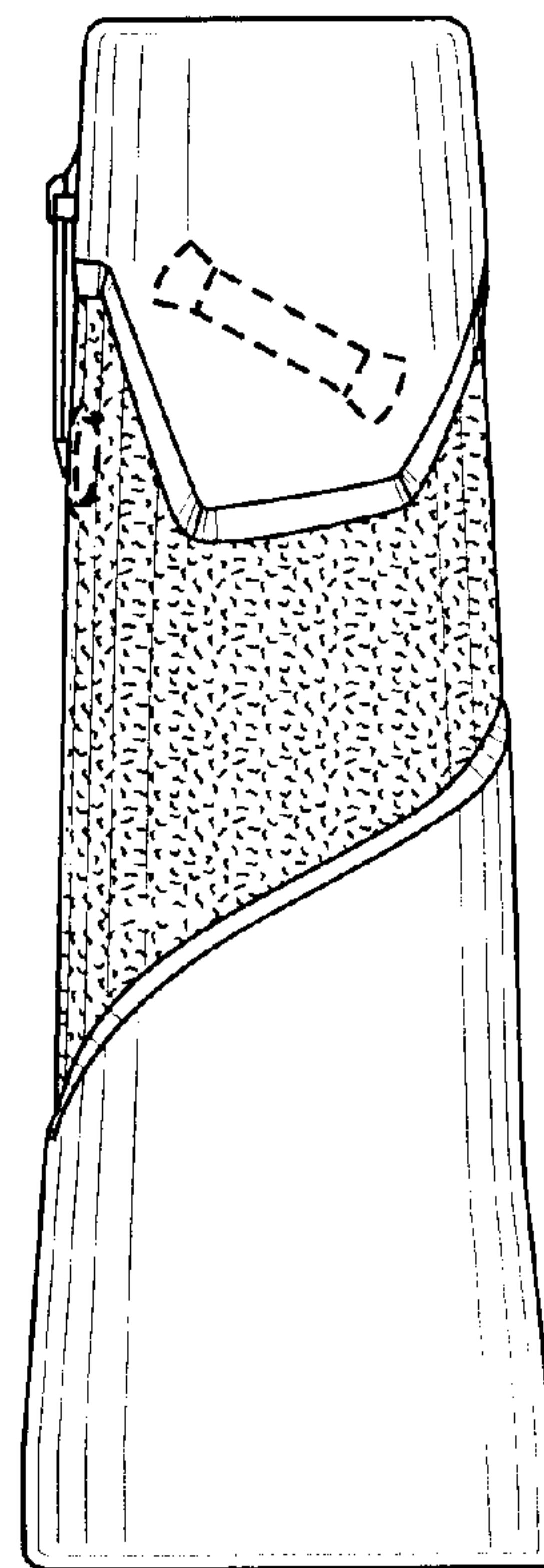


FIG. 3

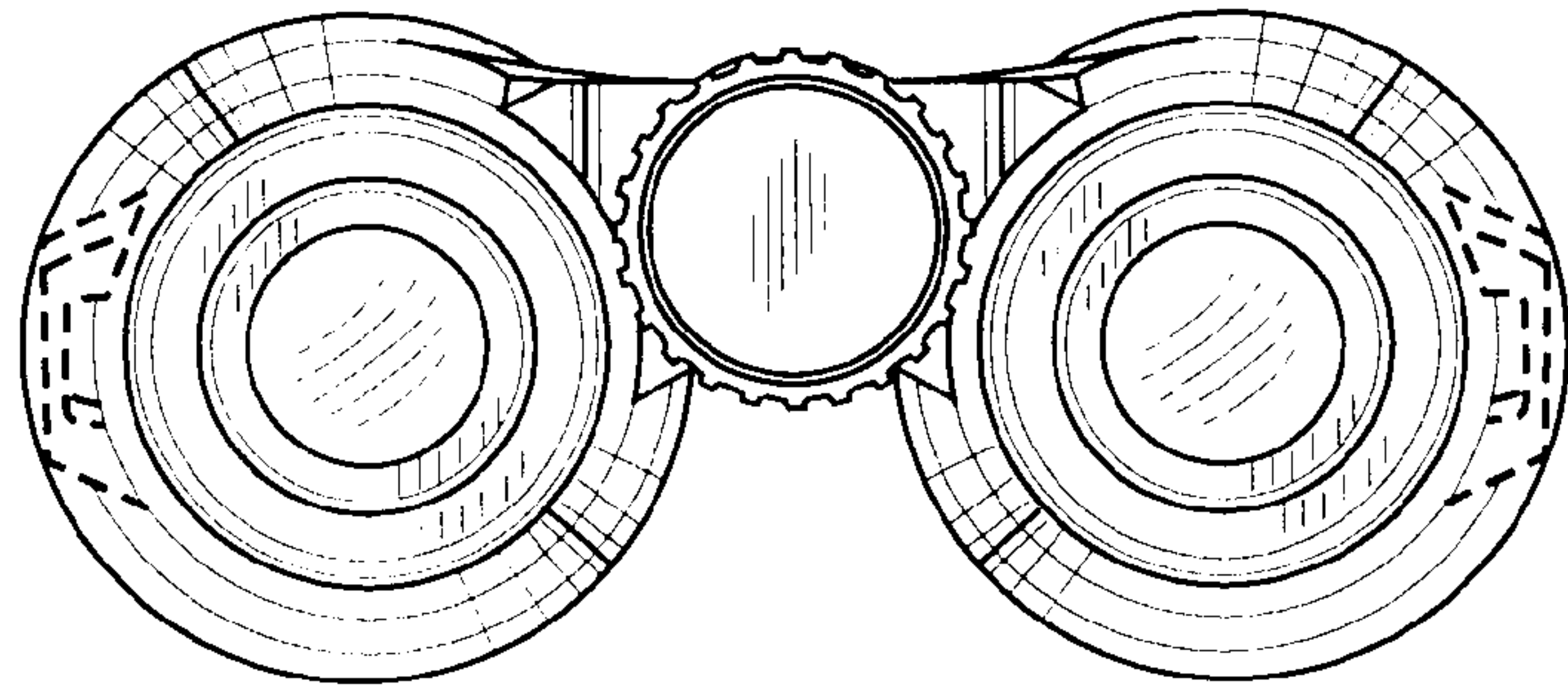


FIG. 4

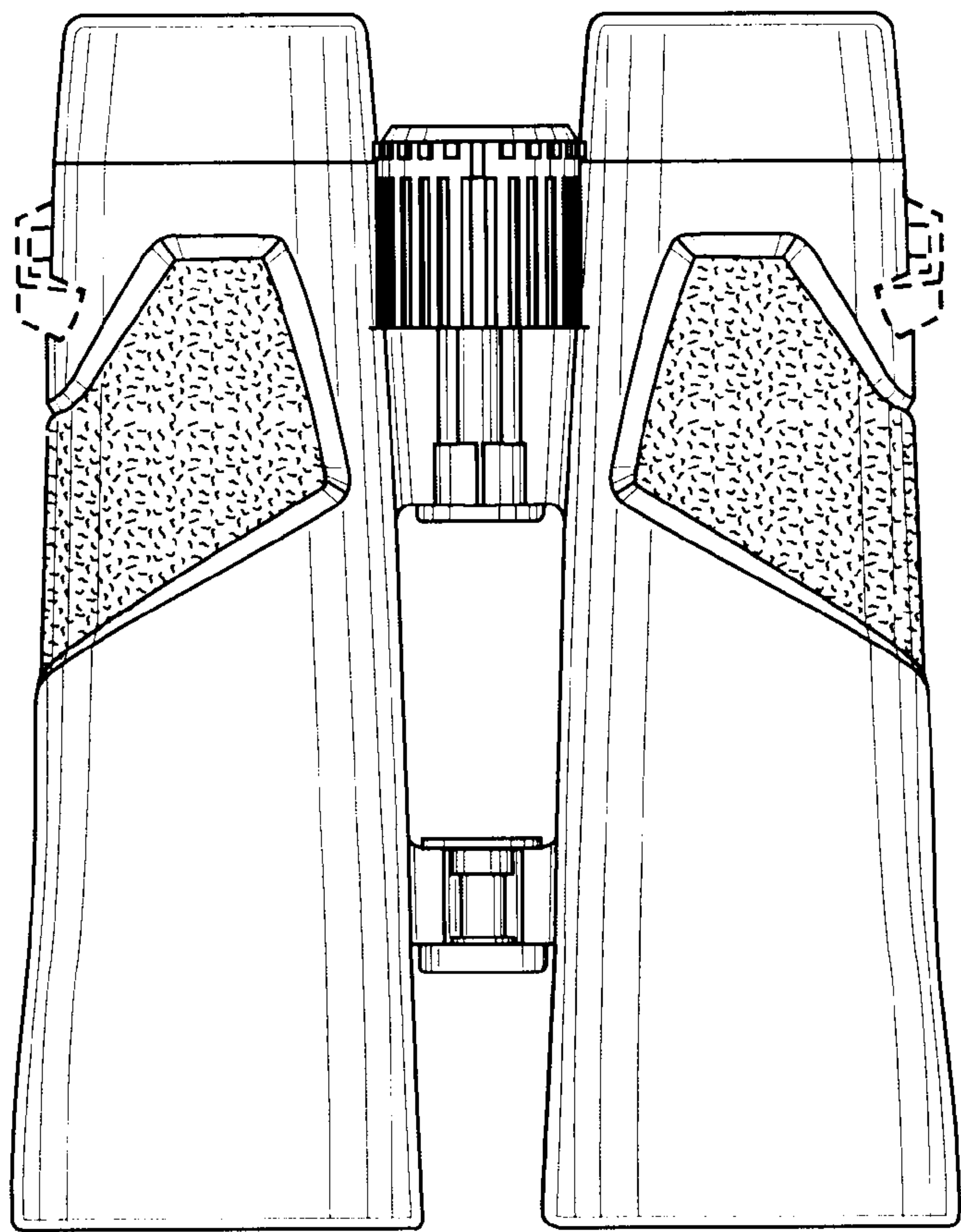


FIG. 5

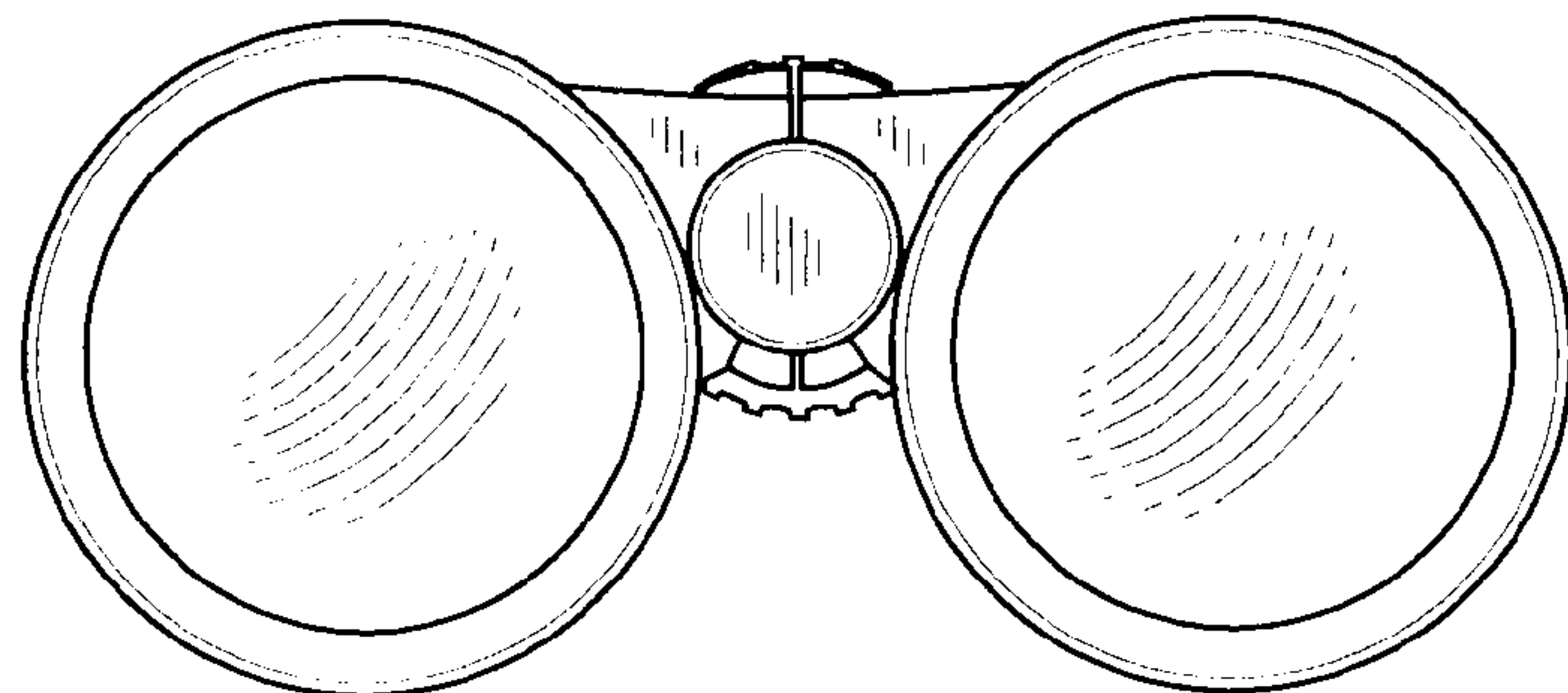


FIG. 6

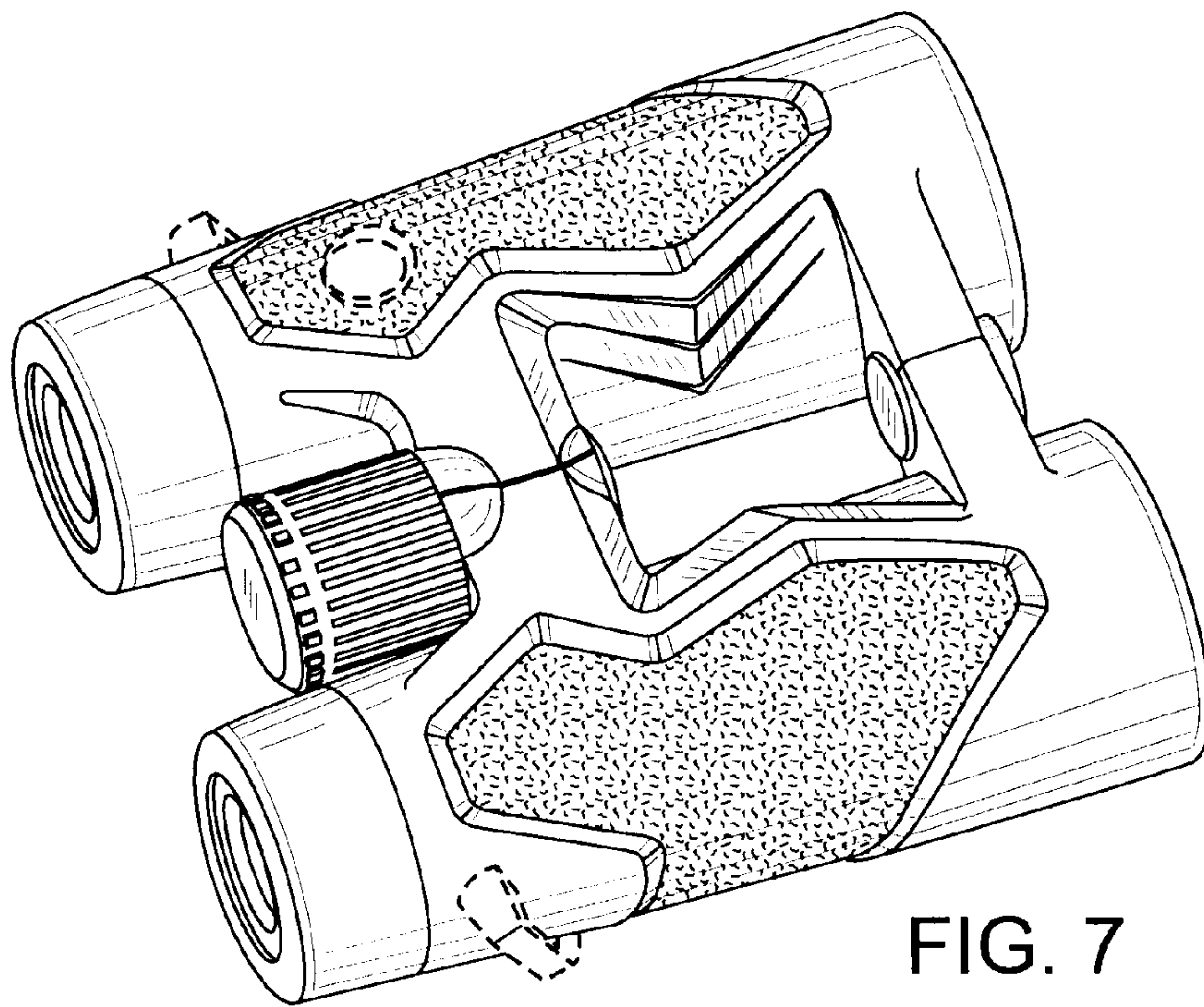


FIG. 7

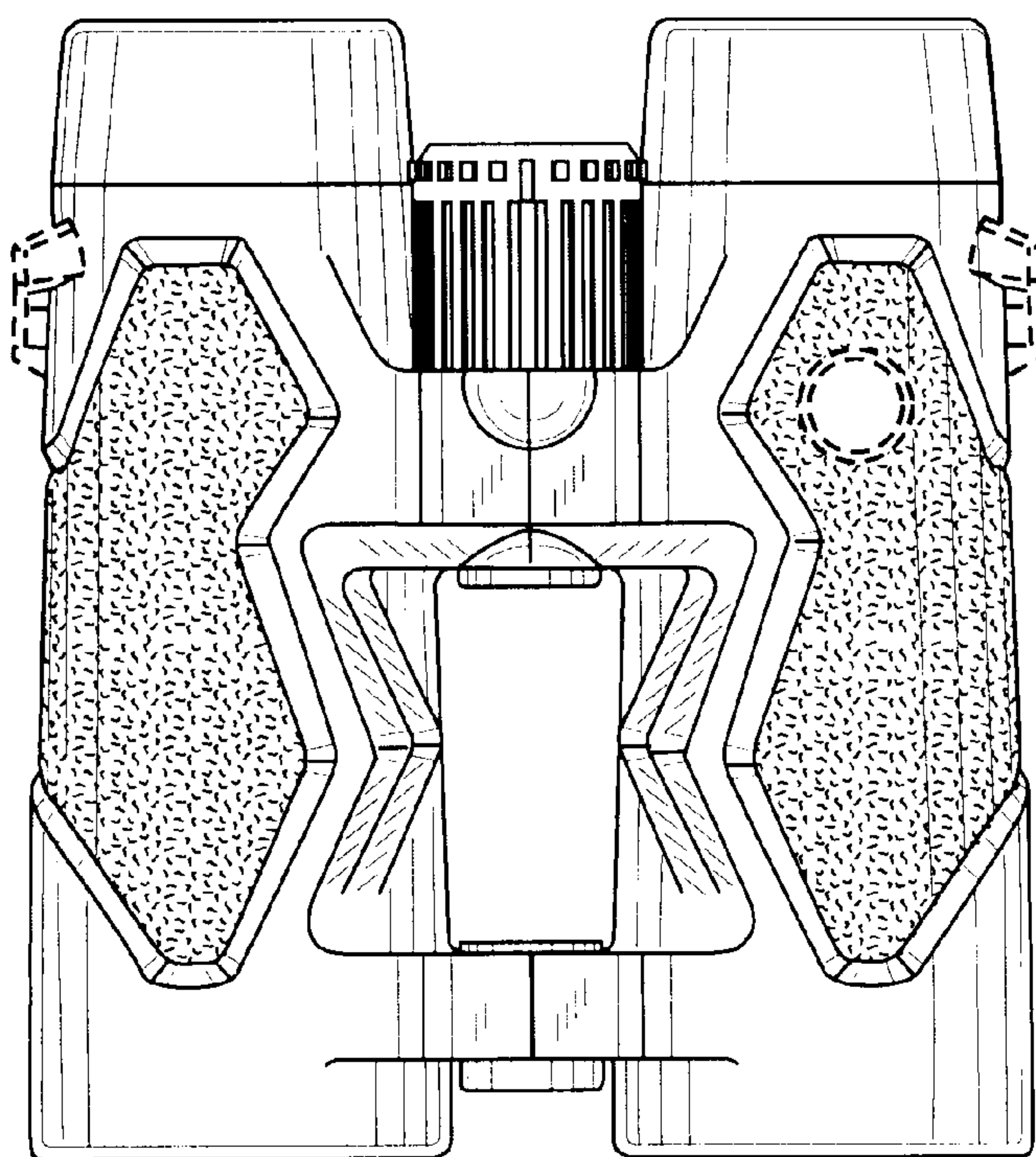


FIG. 8

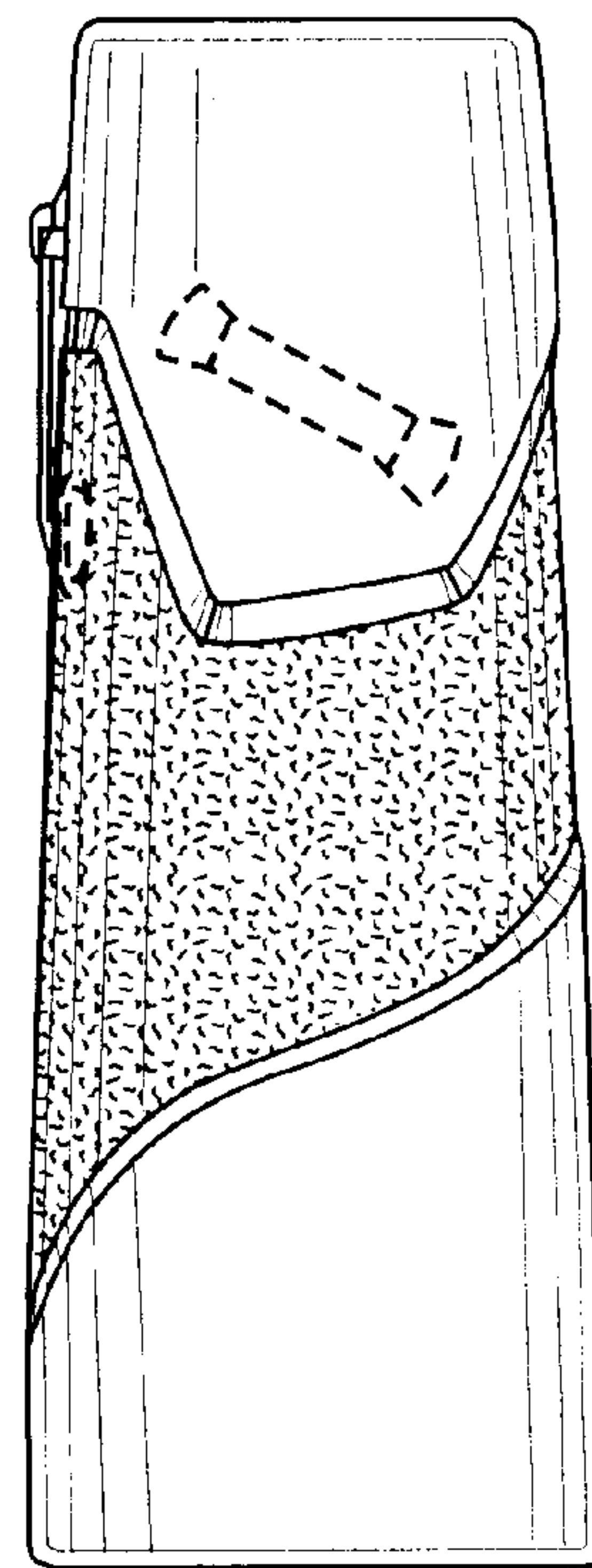


FIG. 9

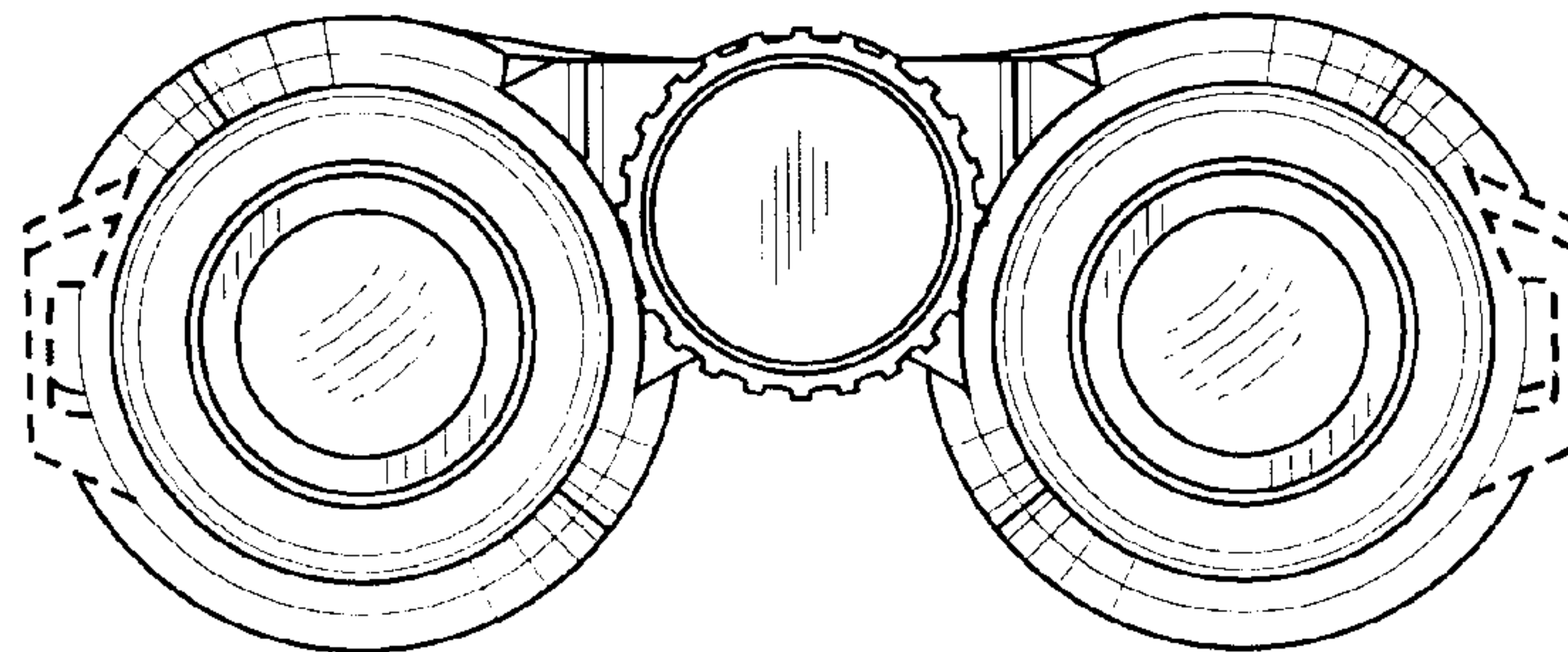


FIG. 10

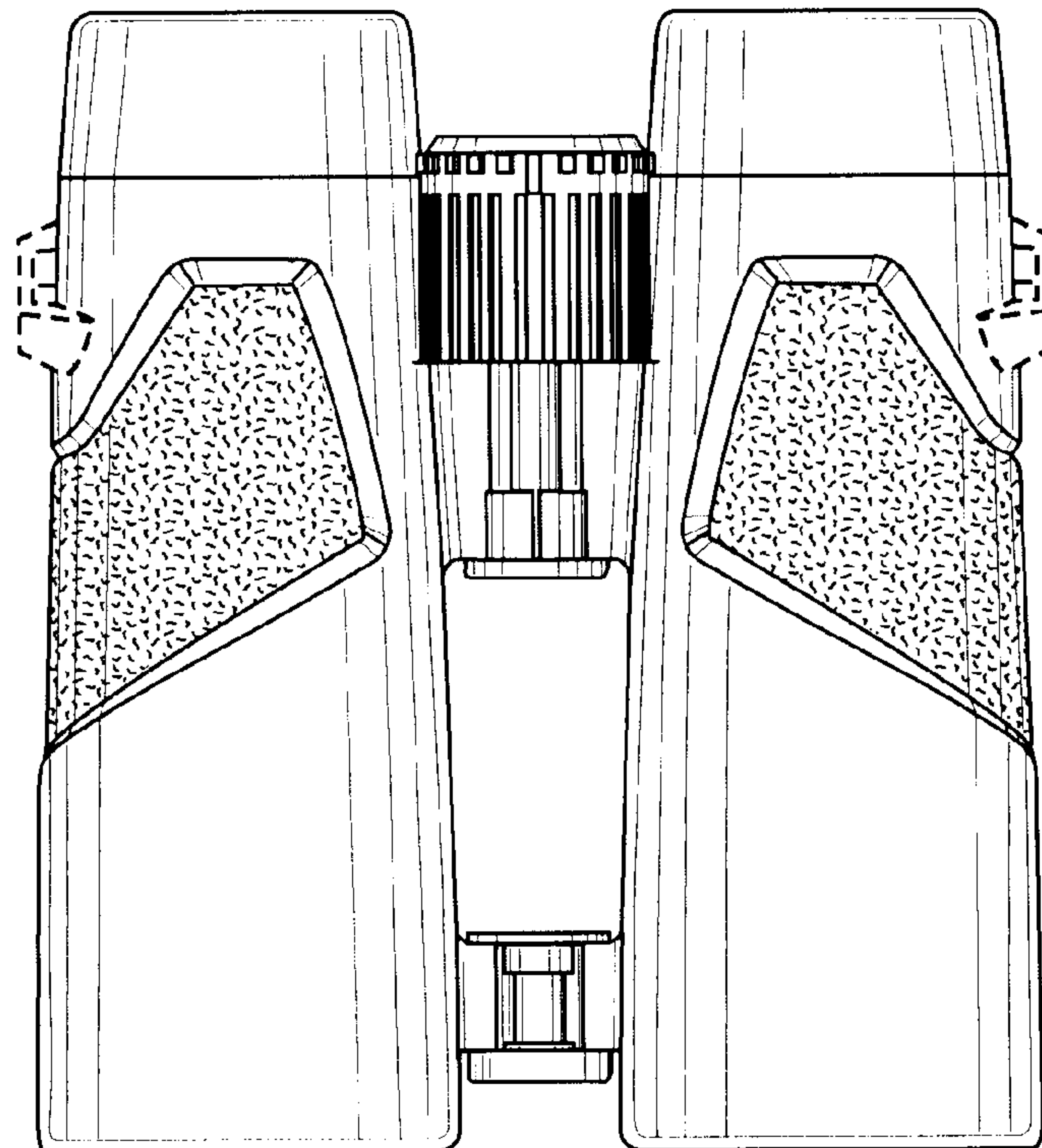


FIG. 11

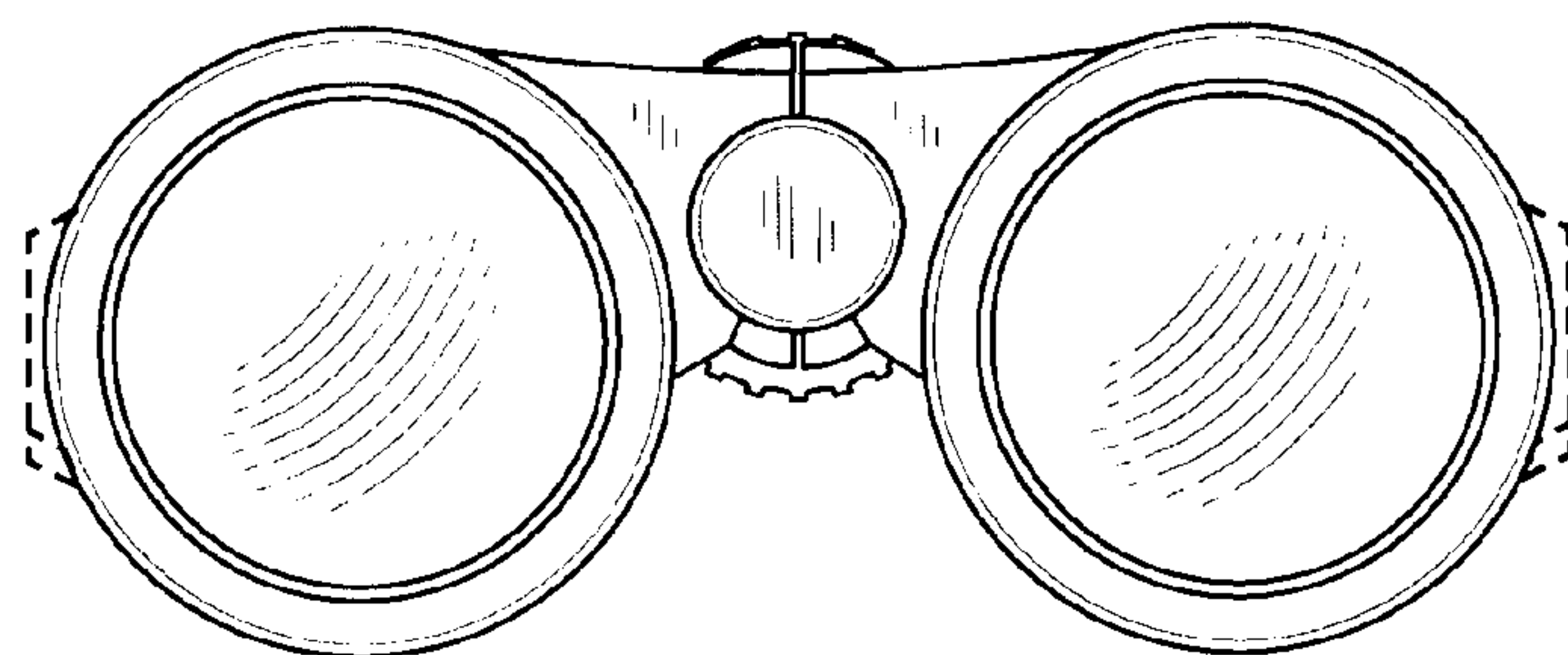


FIG. 12

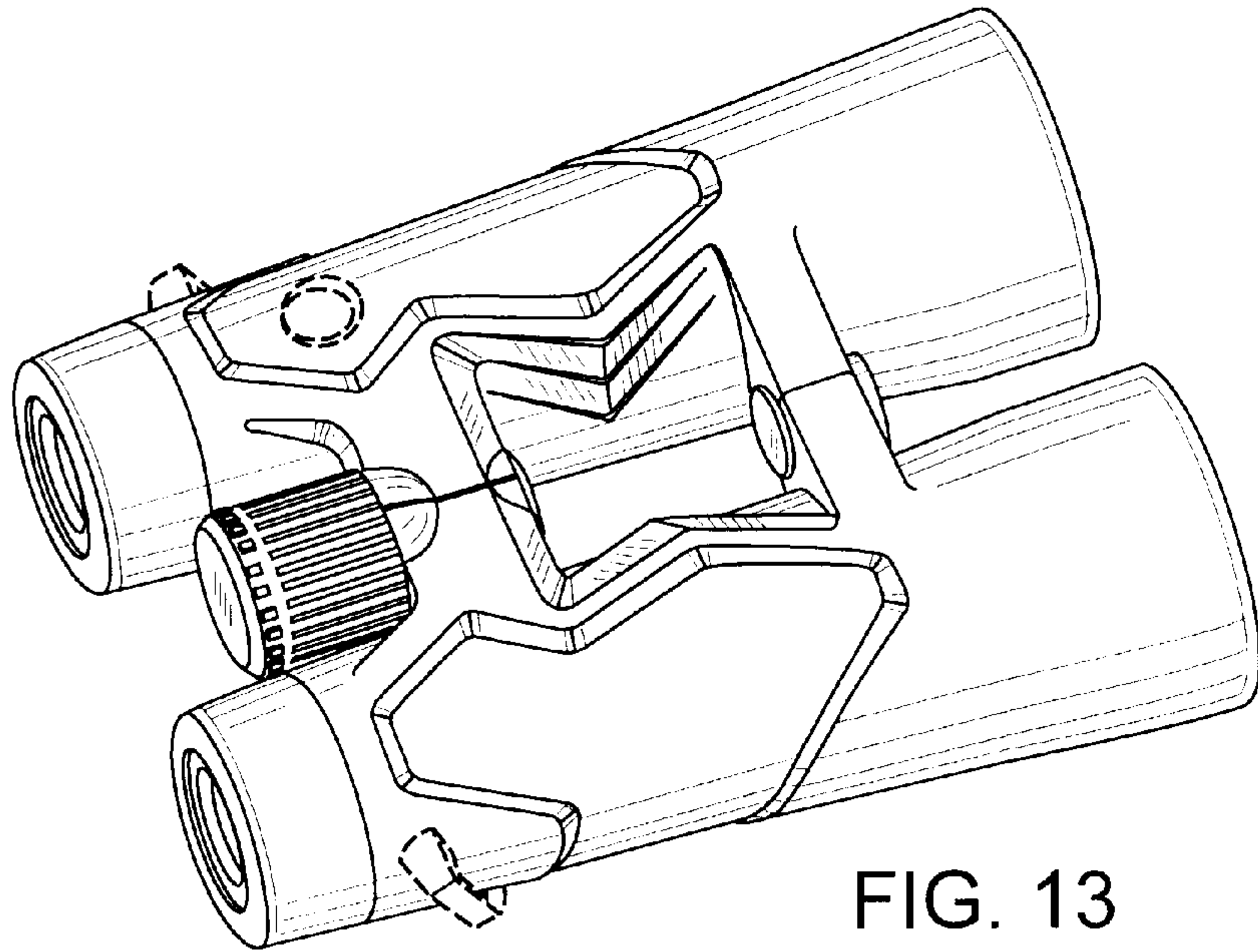


FIG. 13

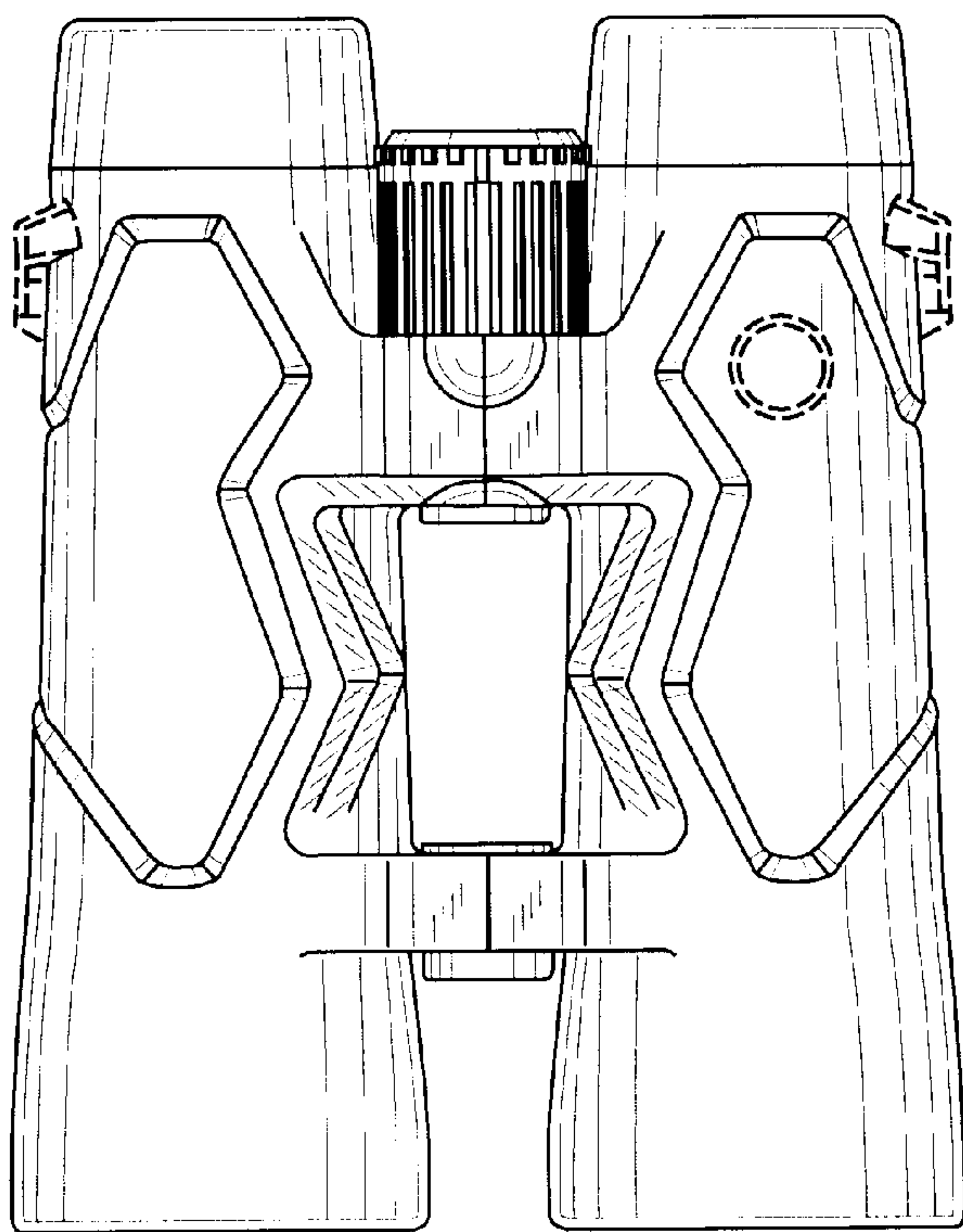


FIG. 14

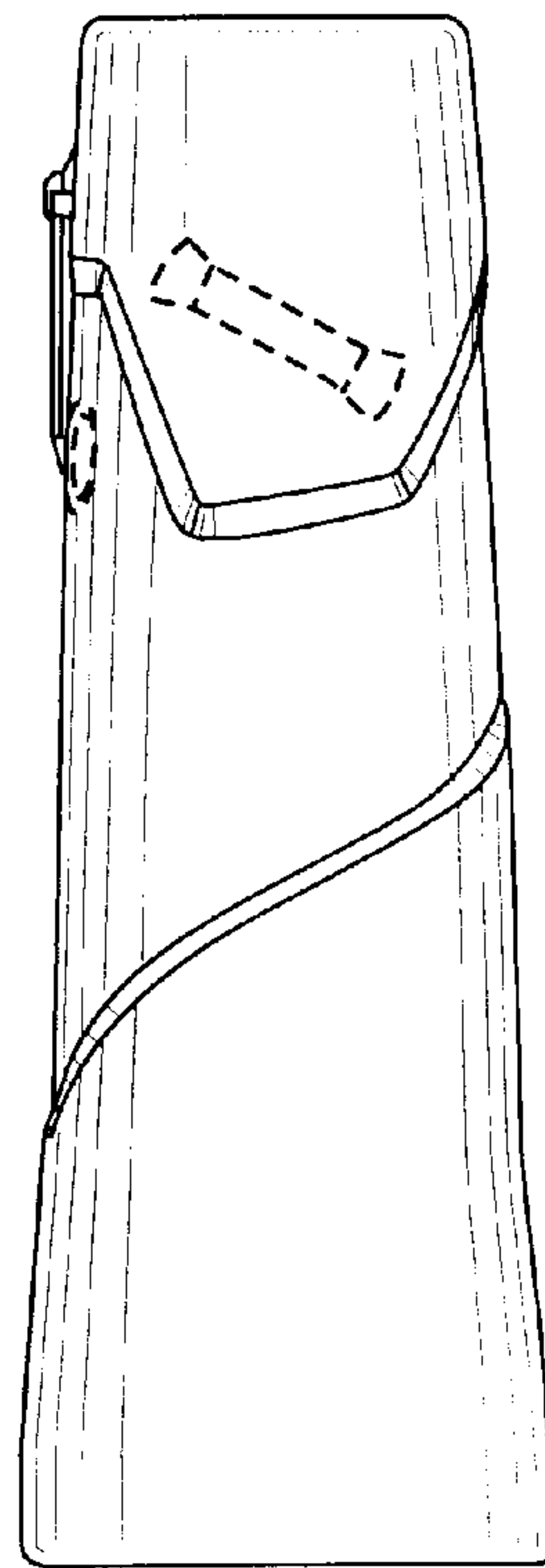


FIG. 15

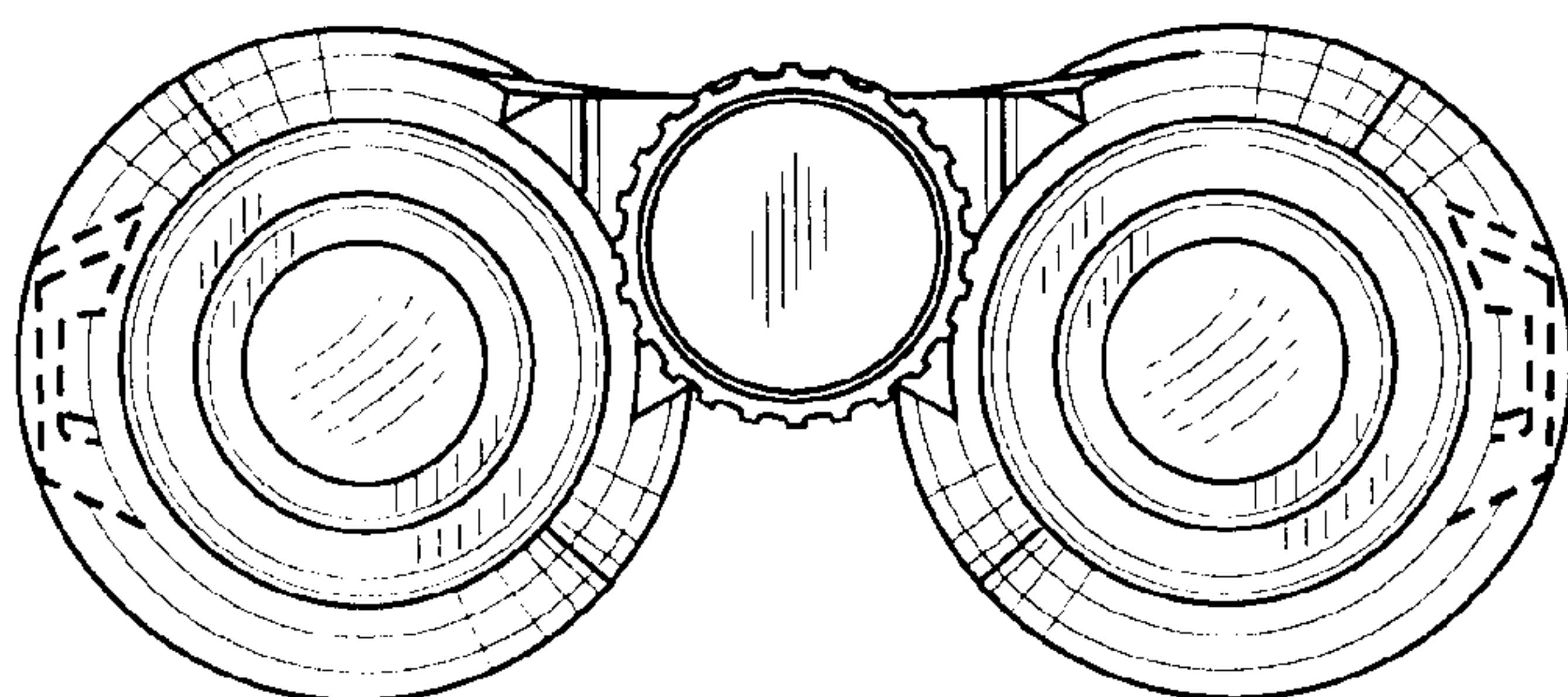


FIG. 16

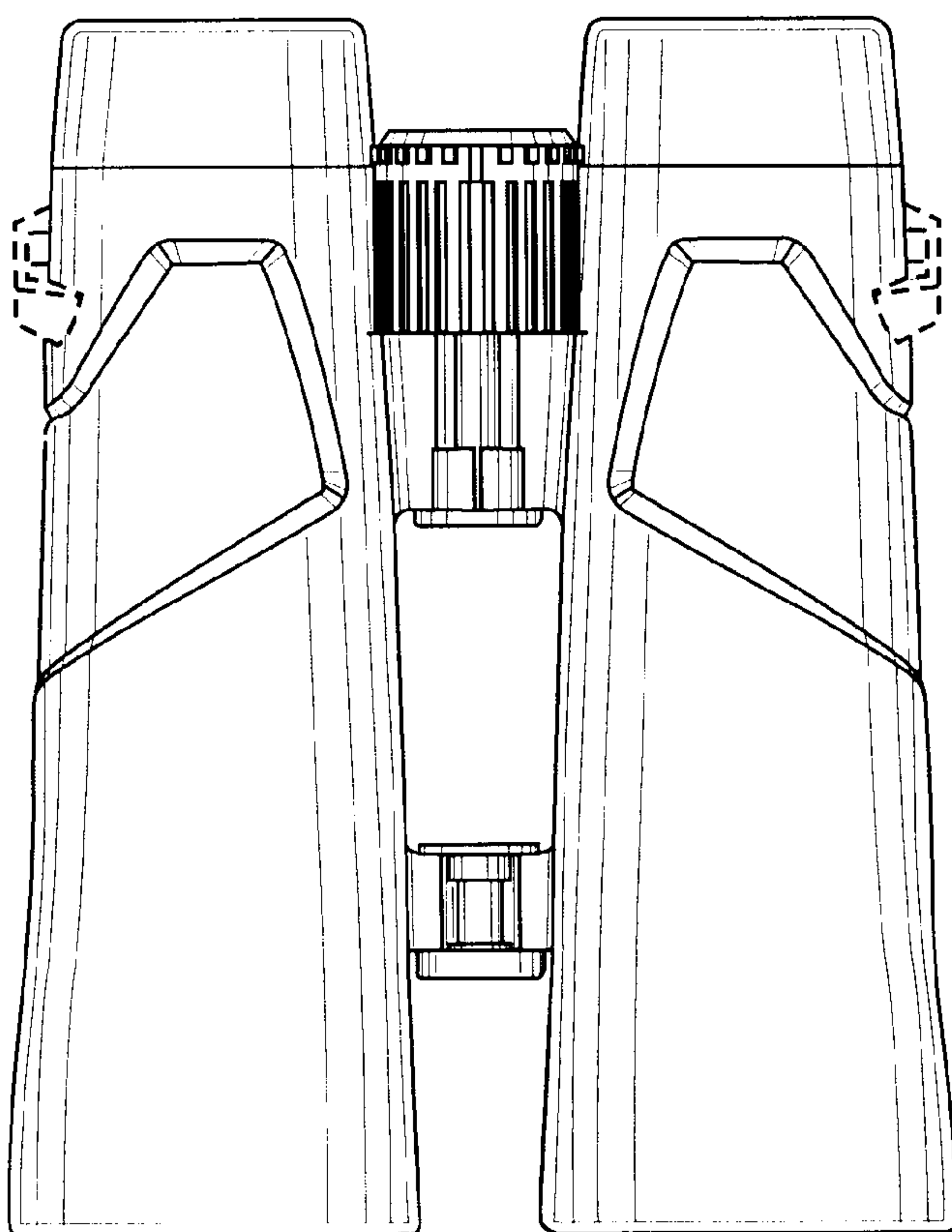


FIG. 17

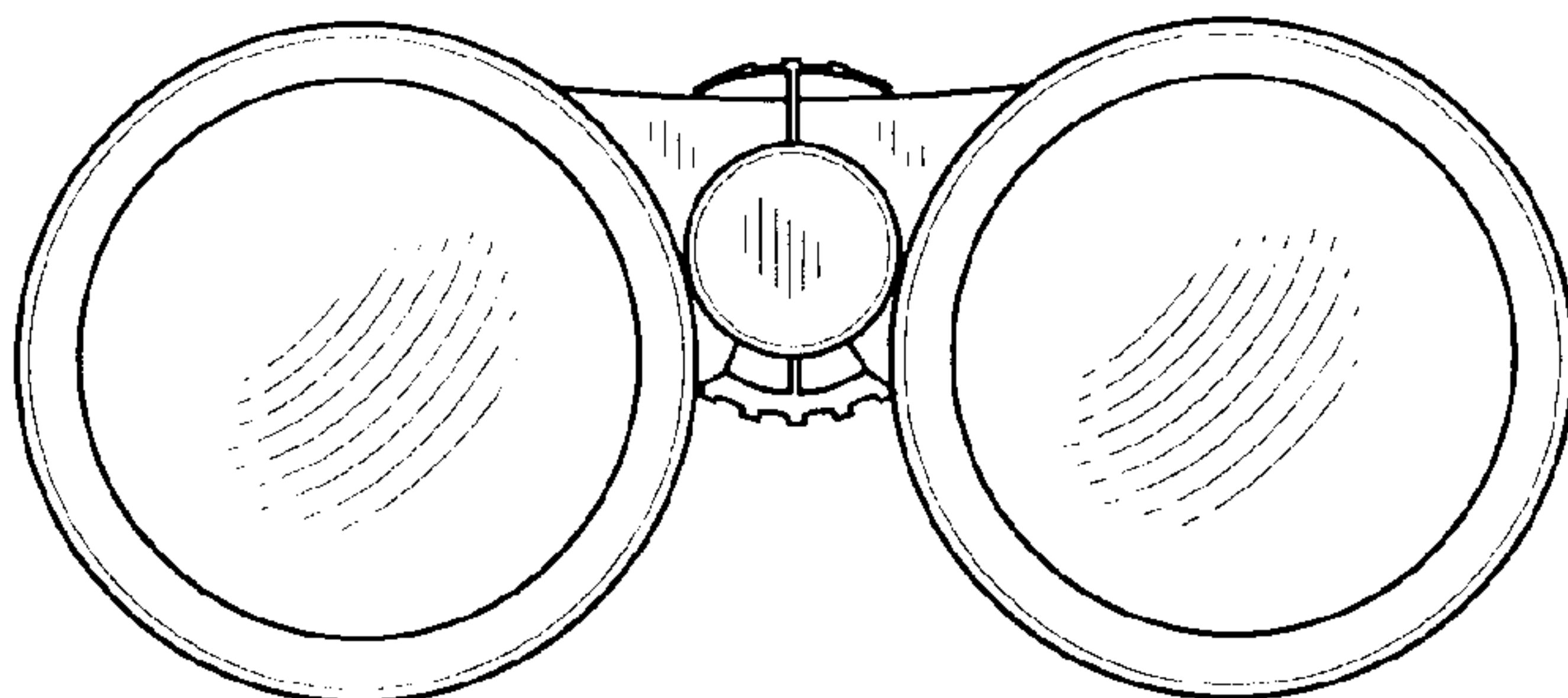


FIG. 18

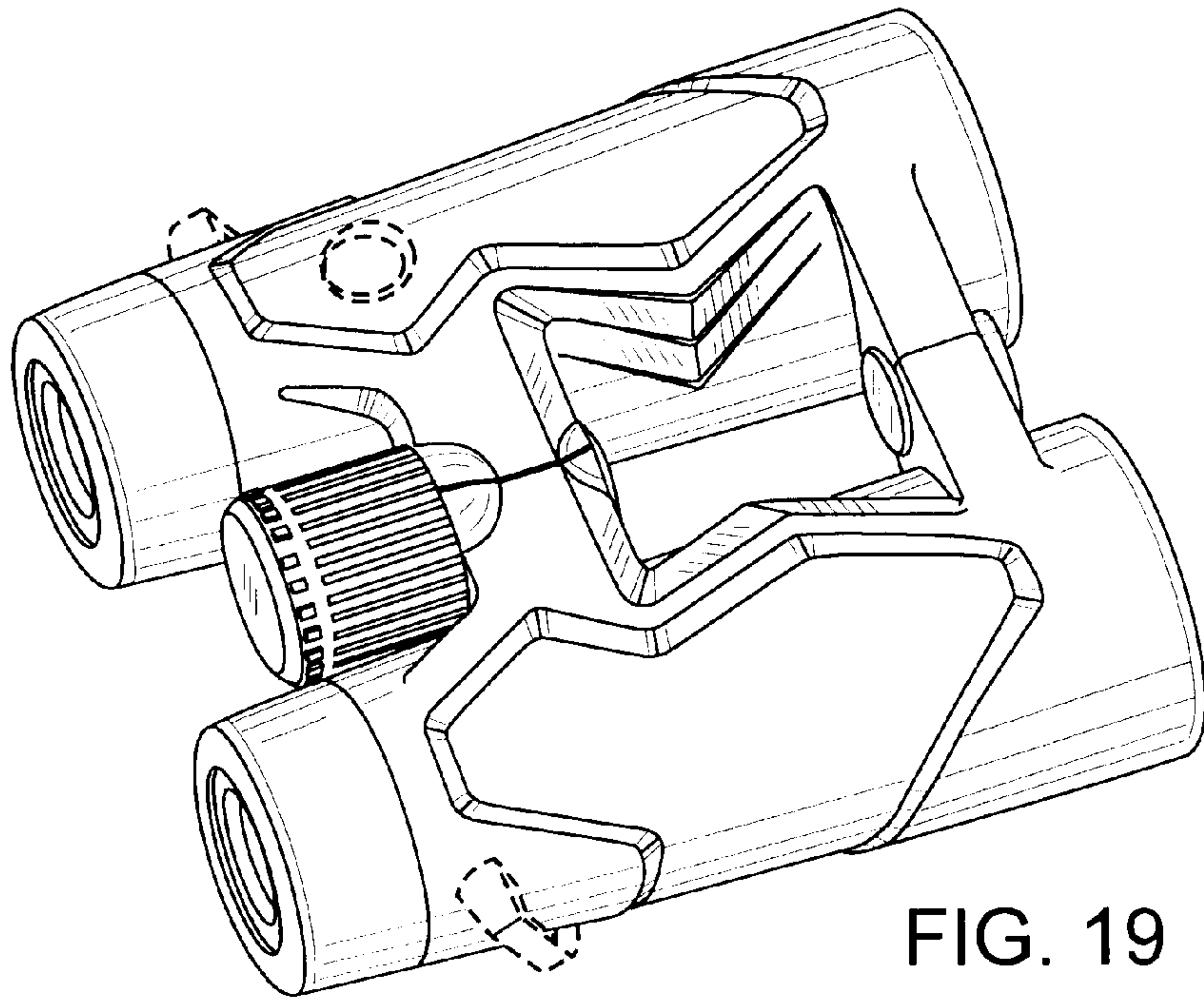


FIG. 19

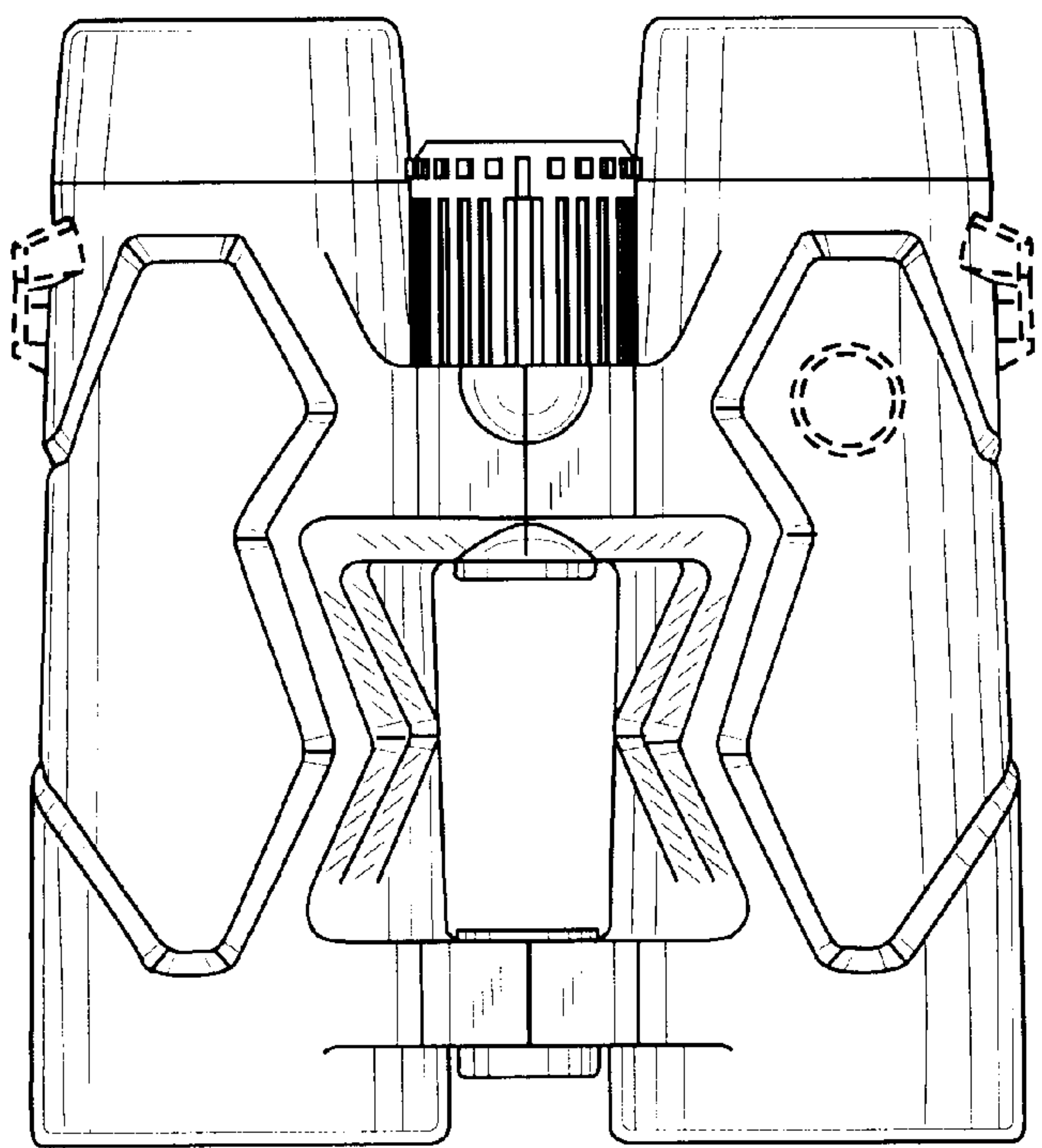


FIG. 20

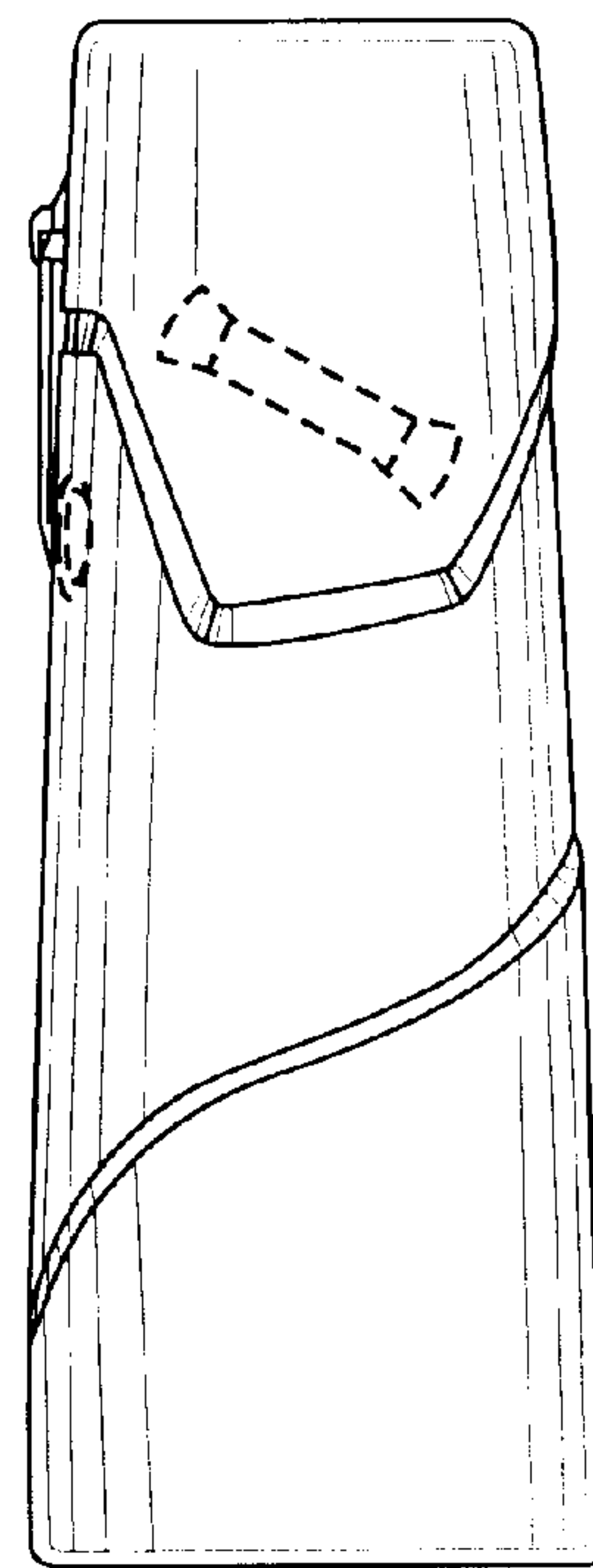


FIG. 21

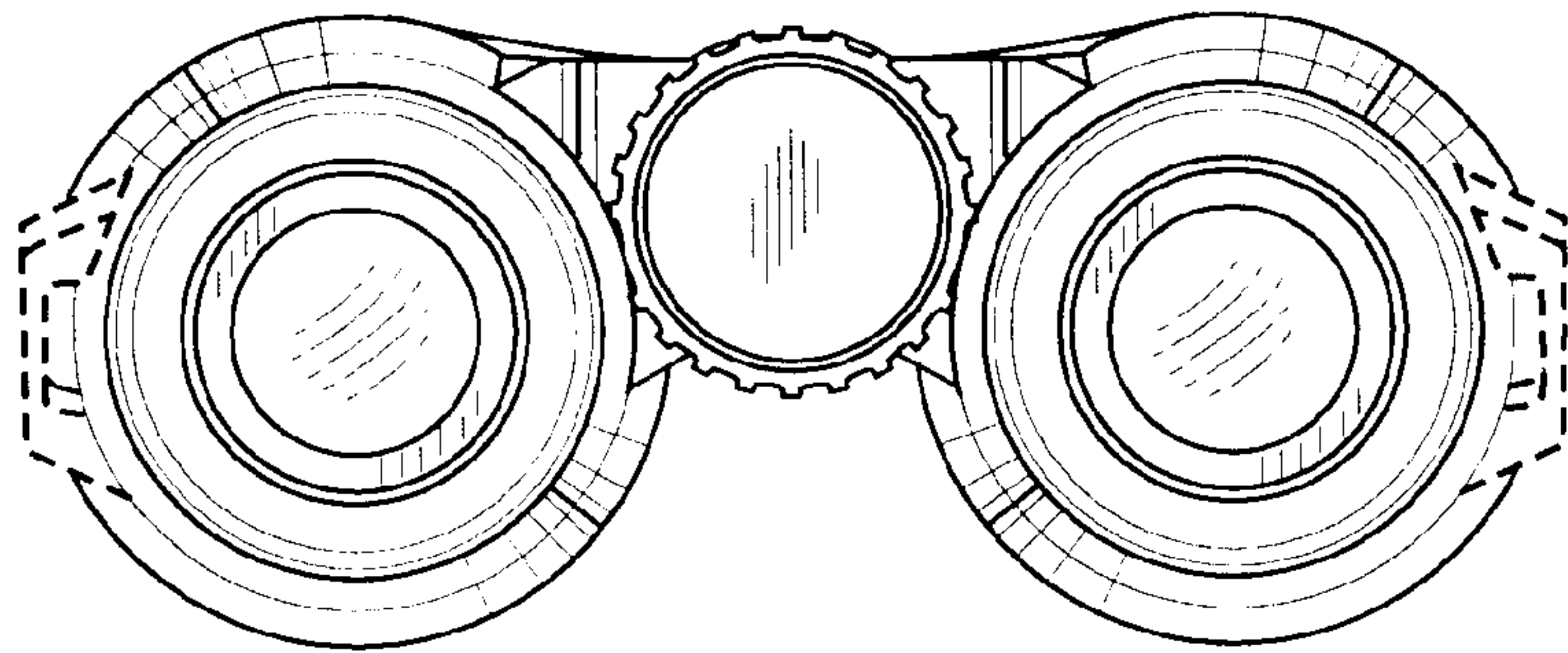


FIG. 22

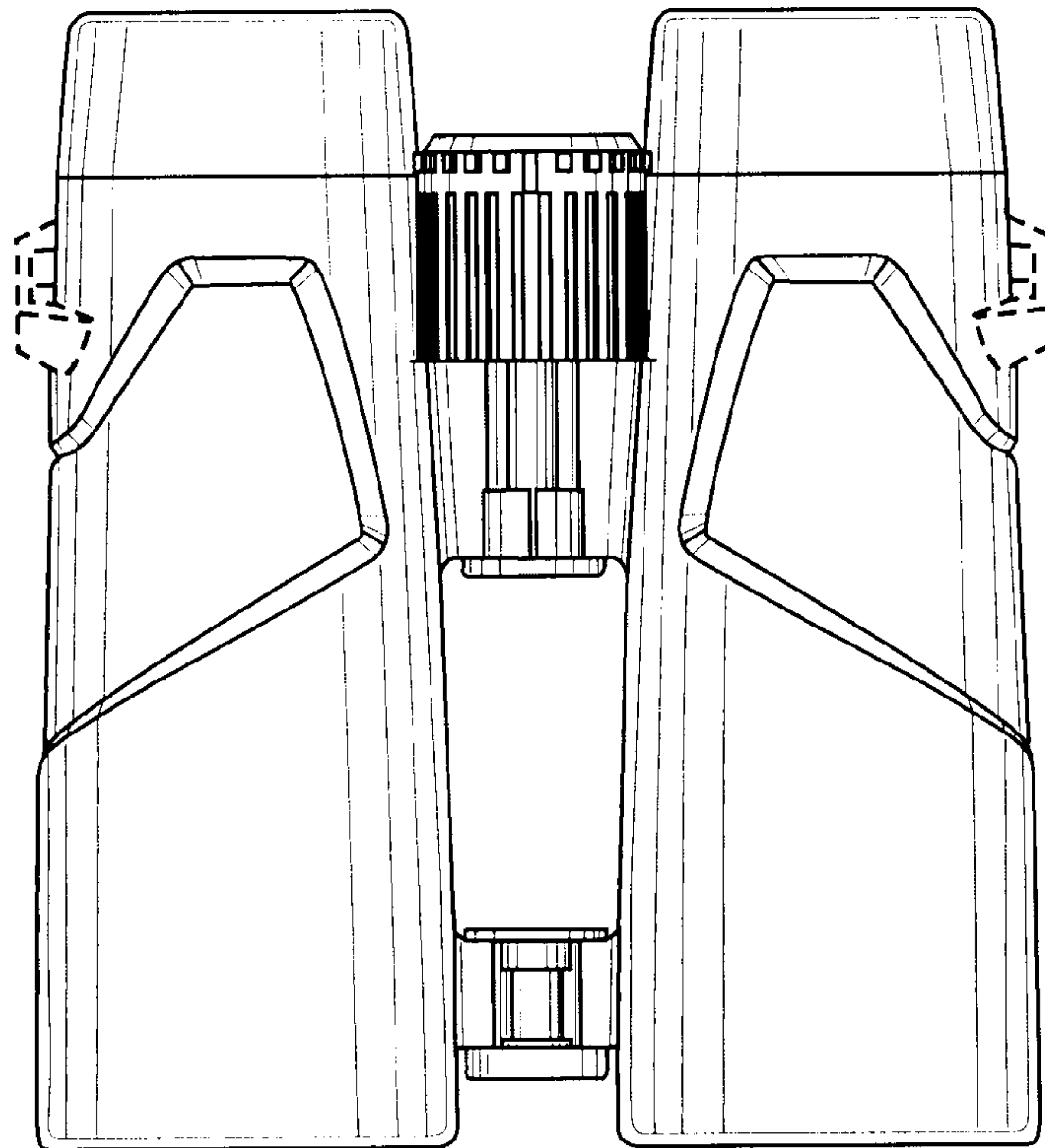


FIG. 23

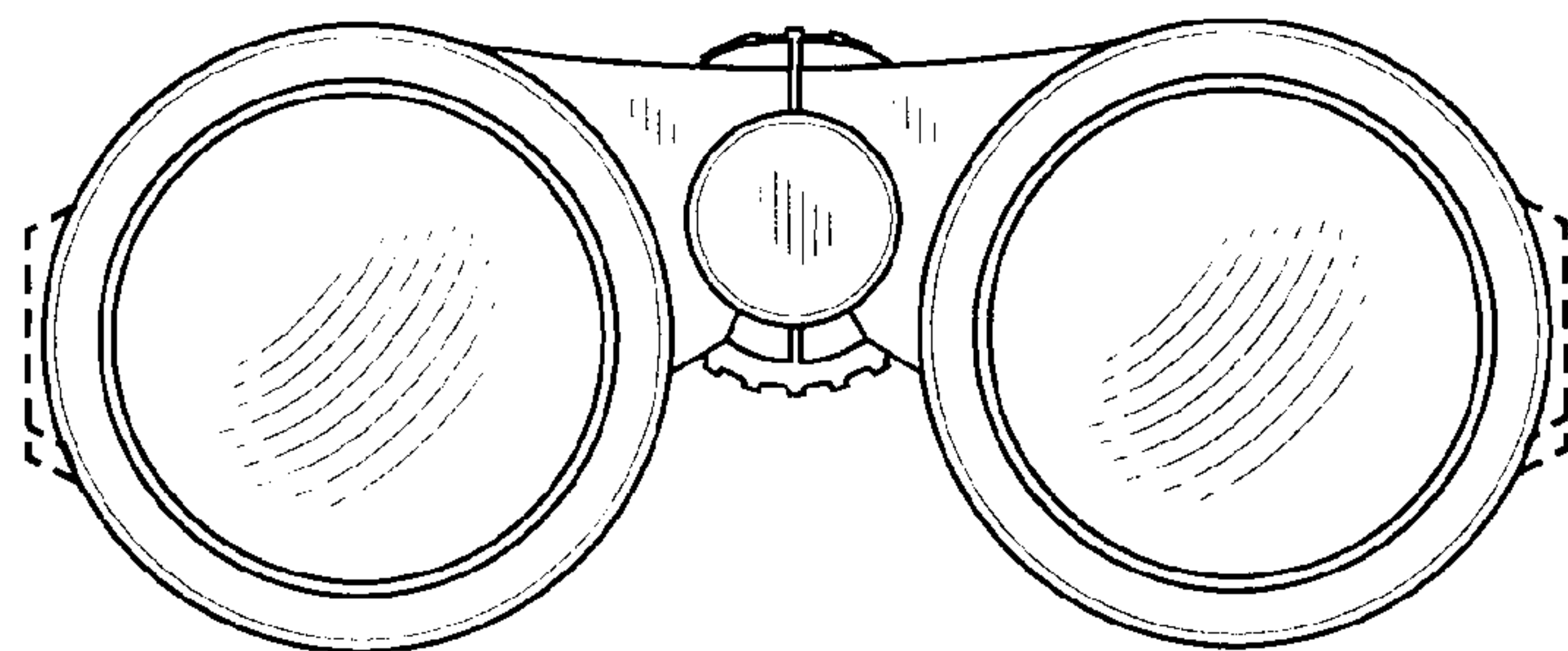


FIG. 24

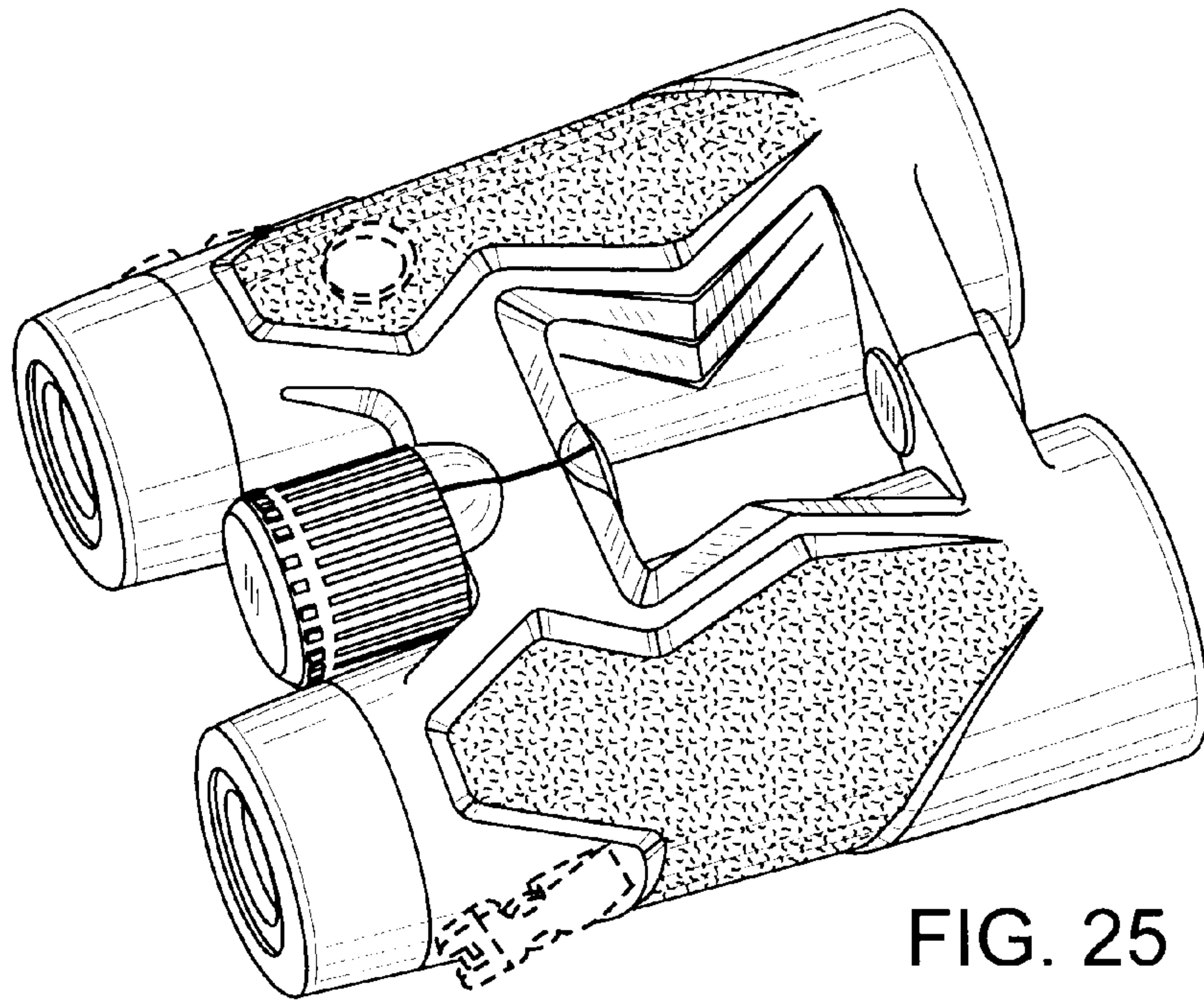


FIG. 25

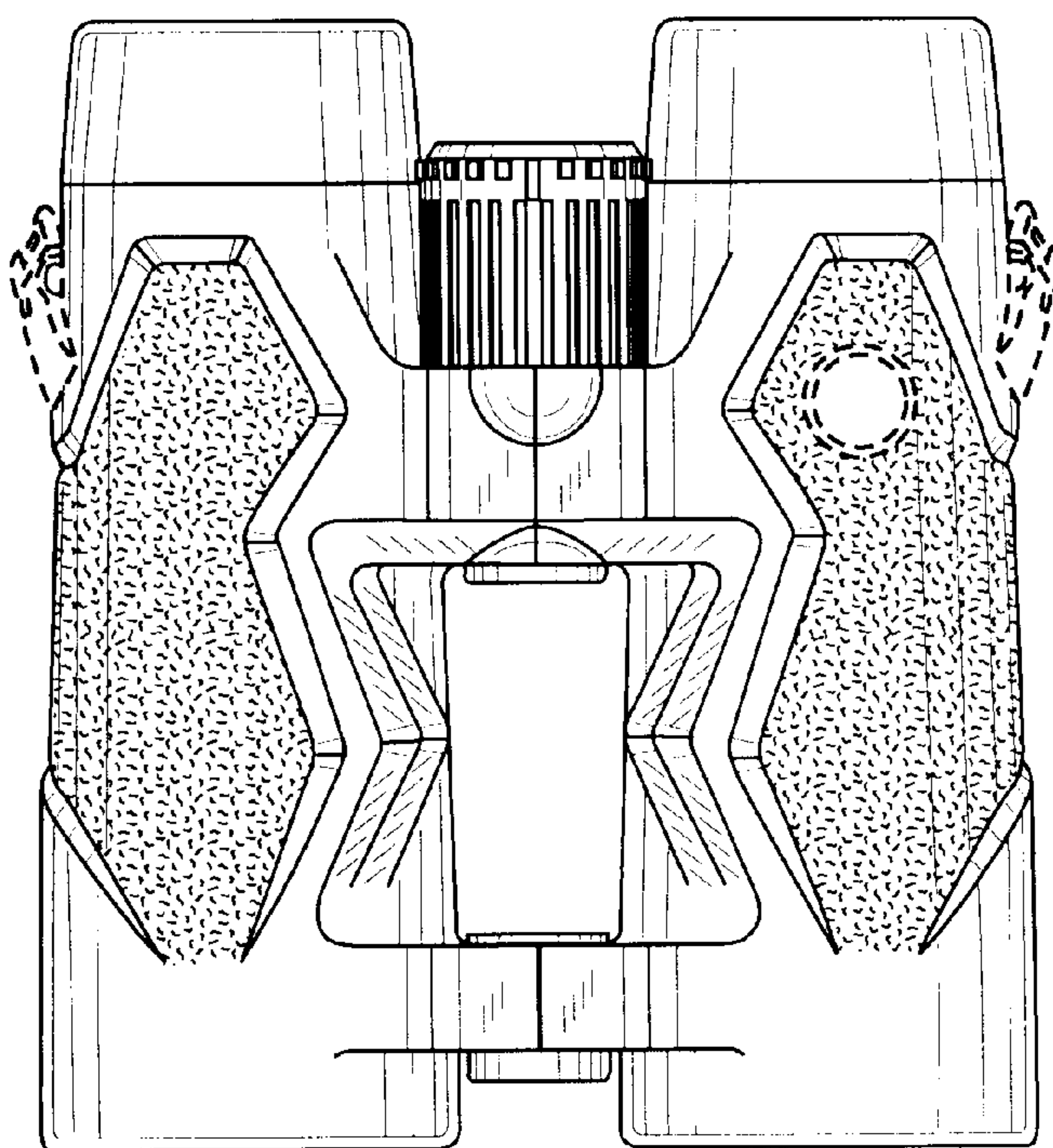


FIG. 26

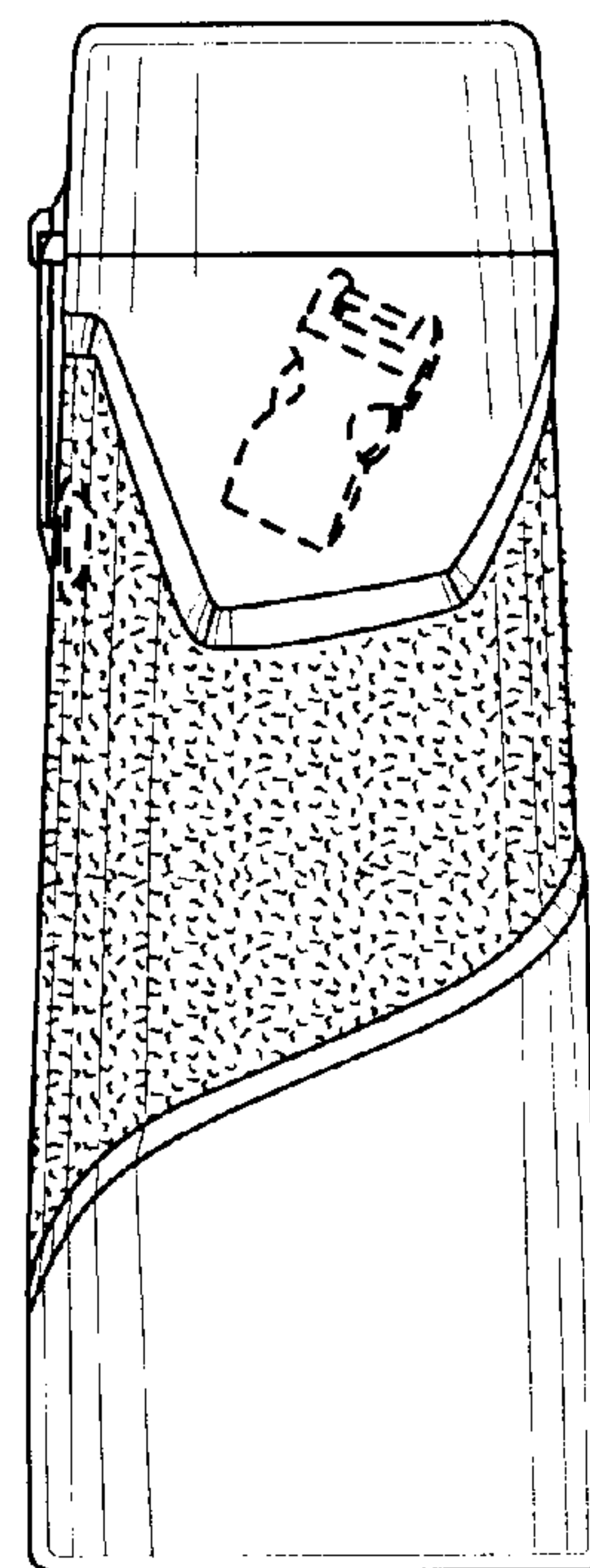


FIG. 27

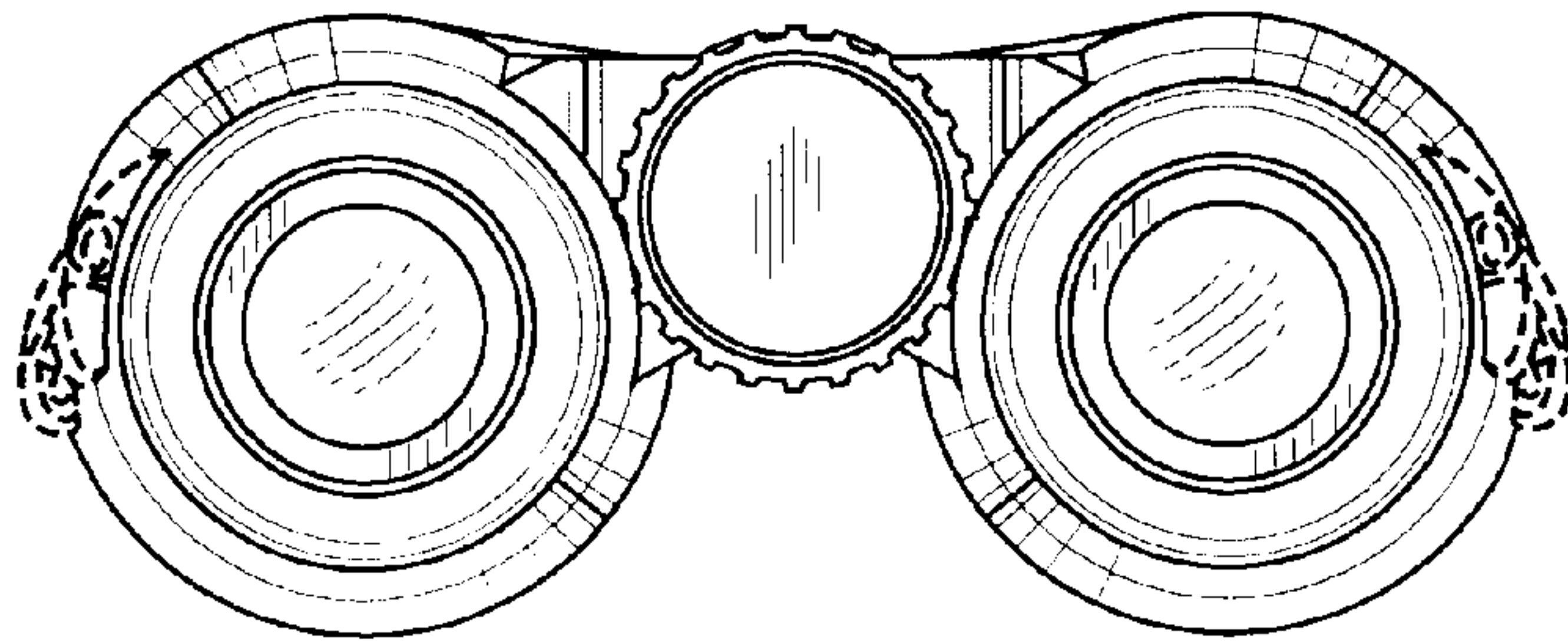


FIG. 28

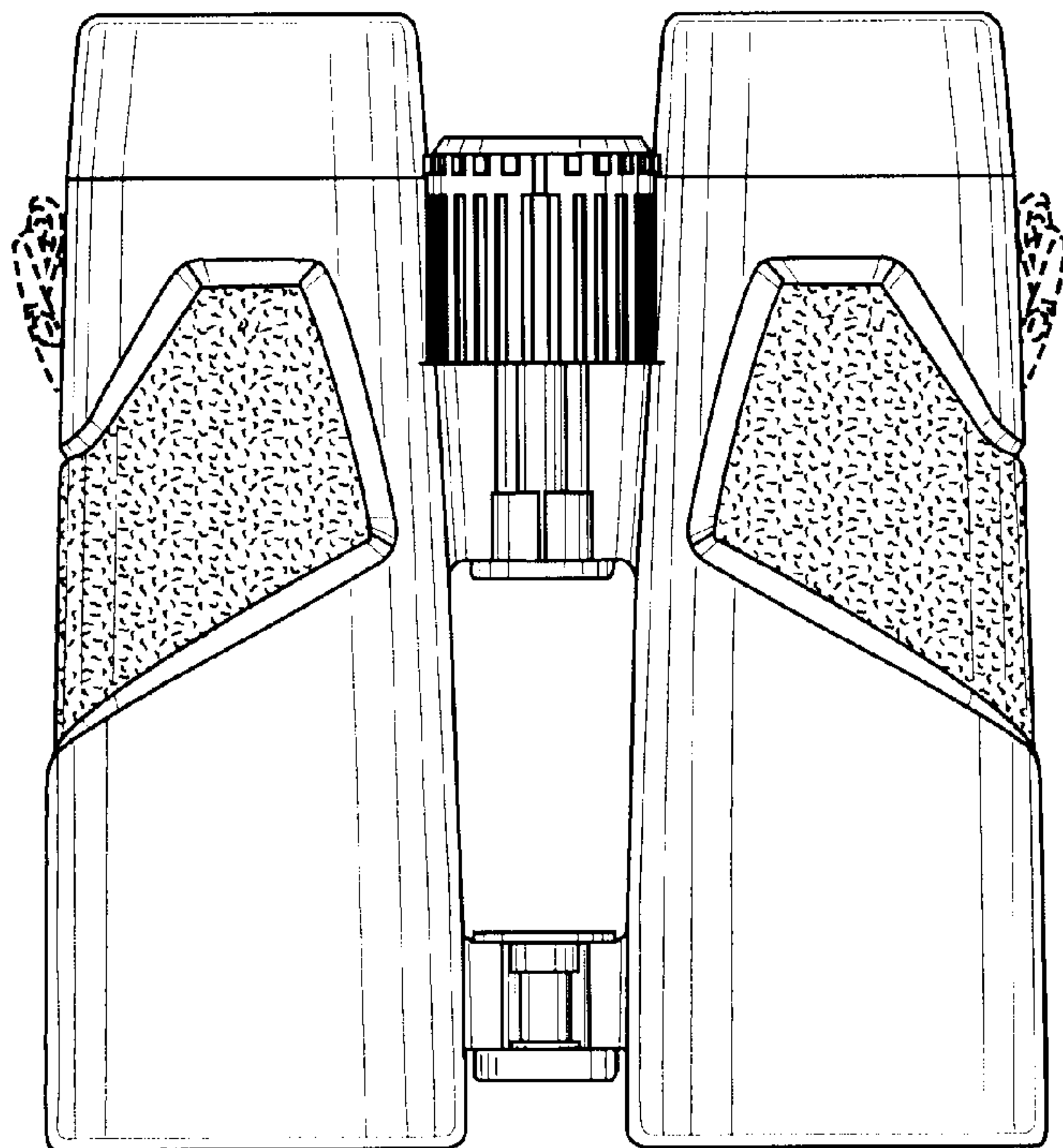


FIG. 29

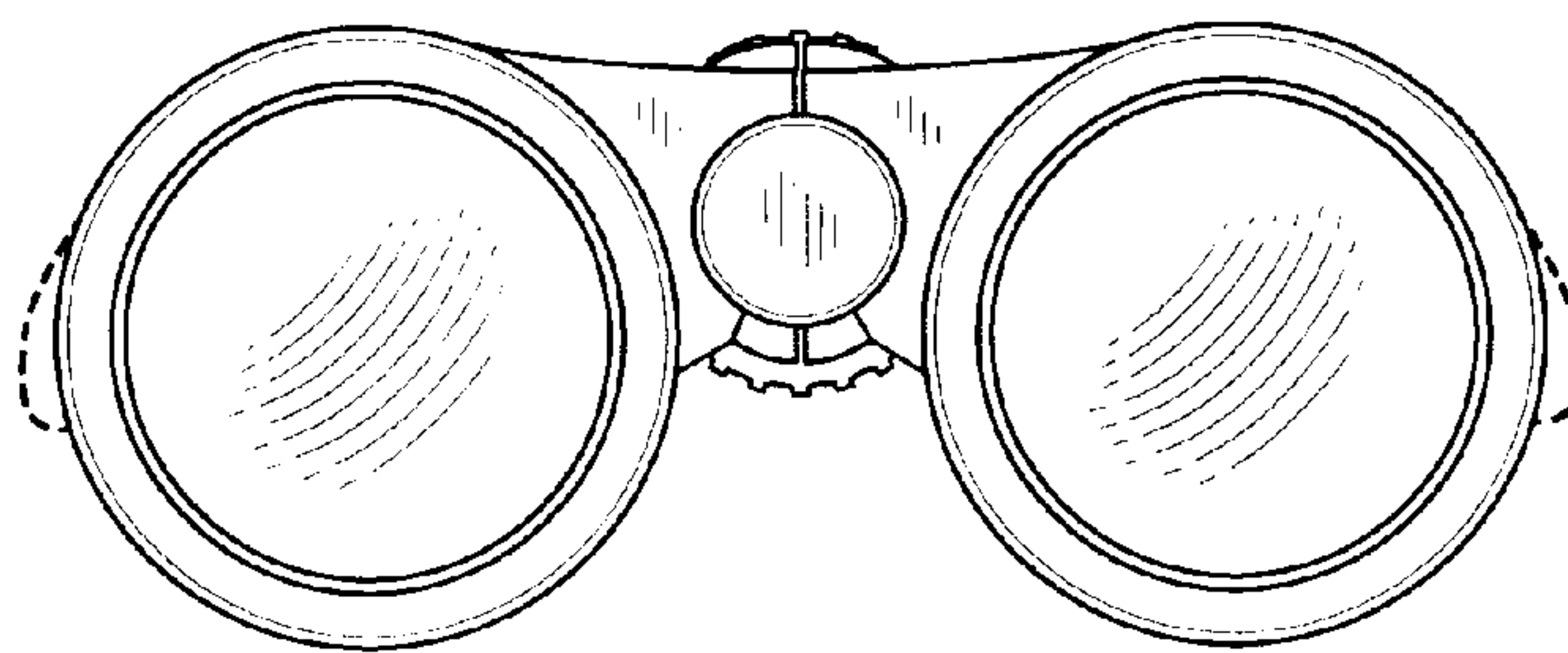


FIG. 30