



US00D672374S

(12) **United States Design Patent**
Choi et al.

(10) **Patent No.:** **US D672,374 S**

(45) **Date of Patent:** **** Dec. 11, 2012**

(54) **KIMCHI REFRIGERATOR**

(75) Inventors: **Kyu Kwan Choi**, Seoul (KR); **Sun Il Cho**, Namyangju-si (KR); **Seon Kyu Kim**, Seoul (KR); **Sin Eun Kang**, Seoul (KR); **Jae Young Kim**, Seoul (KR)

(73) Assignee: **LG Electronics Inc.**, Seoul (KR)

(**) Term: **14 Years**

(21) Appl. No.: **29/407,093**

(22) Filed: **Nov. 22, 2011**

(30) **Foreign Application Priority Data**

Jun. 14, 2011 (KR) 30-2011-0024366

(51) **LOC (9) Cl.** **15-07**

(52) **U.S. Cl.** **D15/83**

(58) **Field of Classification Search** D15/79,
D15/81, 83; 62/3.1, 3.6, 3.63, 3.64, 389-400,
62/440, 441, 457.1; 312/116, 226, 352, 400-408
See application file for complete search history.

(56) **References Cited**

U.S. PATENT DOCUMENTS

D491,581 S * 6/2004 Jang et al. D15/83
D493,473 S * 7/2004 Kim et al. D15/86

D501,489 S * 2/2005 Seo et al. D15/83
D501,663 S * 2/2005 Yu et al. D15/83
D507,282 S * 7/2005 Lee et al. D15/83
D507,283 S * 7/2005 Lee et al. D15/83
D507,584 S * 7/2005 Kim et al. D15/83
D510,743 S * 10/2005 Kim et al. D15/83
D593,583 S * 6/2009 Choi et al. D15/83
D597,560 S * 8/2009 Choi et al. D15/83

* cited by examiner

Primary Examiner — Mitchell Siegel

(74) *Attorney, Agent, or Firm* — Birch, Stewart, Kolasch & Birch, LLP

(57) **CLAIM**

We claim the ornamental design for a Kimchi refrigerator, as shown and described.

DESCRIPTION

FIG. 1 is a perspective view of a Kimchi refrigerator showing our new design:

FIG. 2 is a front elevation view thereof;

FIG. 3 is a rear elevation view thereof;

FIG. 4 is a left-side elevation view thereof;

FIG. 5 is a right-side elevation view thereof;

FIG. 6 is a top plan view thereof;

FIG. 7 is a bottom plan view thereof; and,

FIG. 8 is a perspective view showing the top doors in an alternate position.

1 Claim, 5 Drawing Sheets

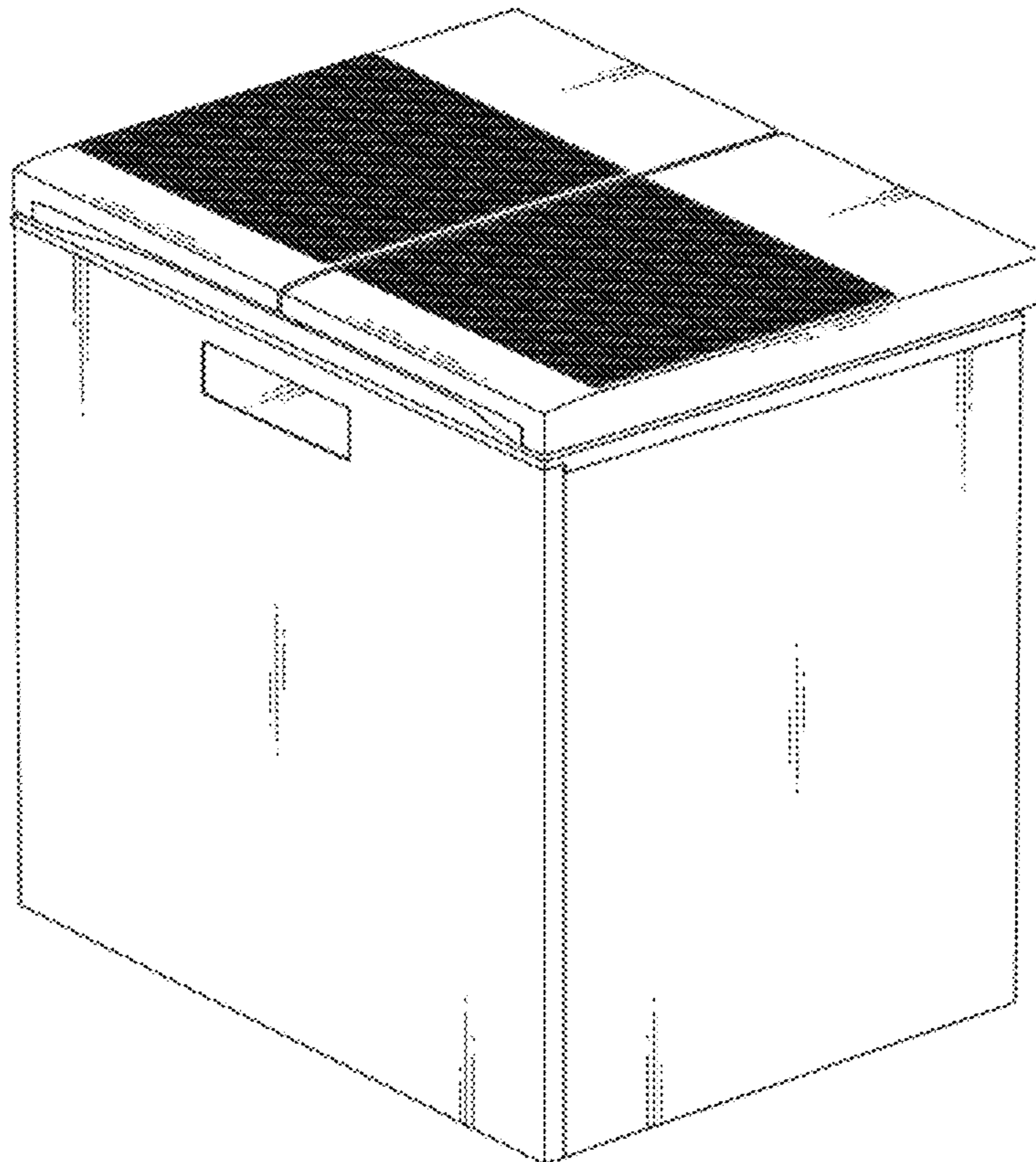


FIG. 1

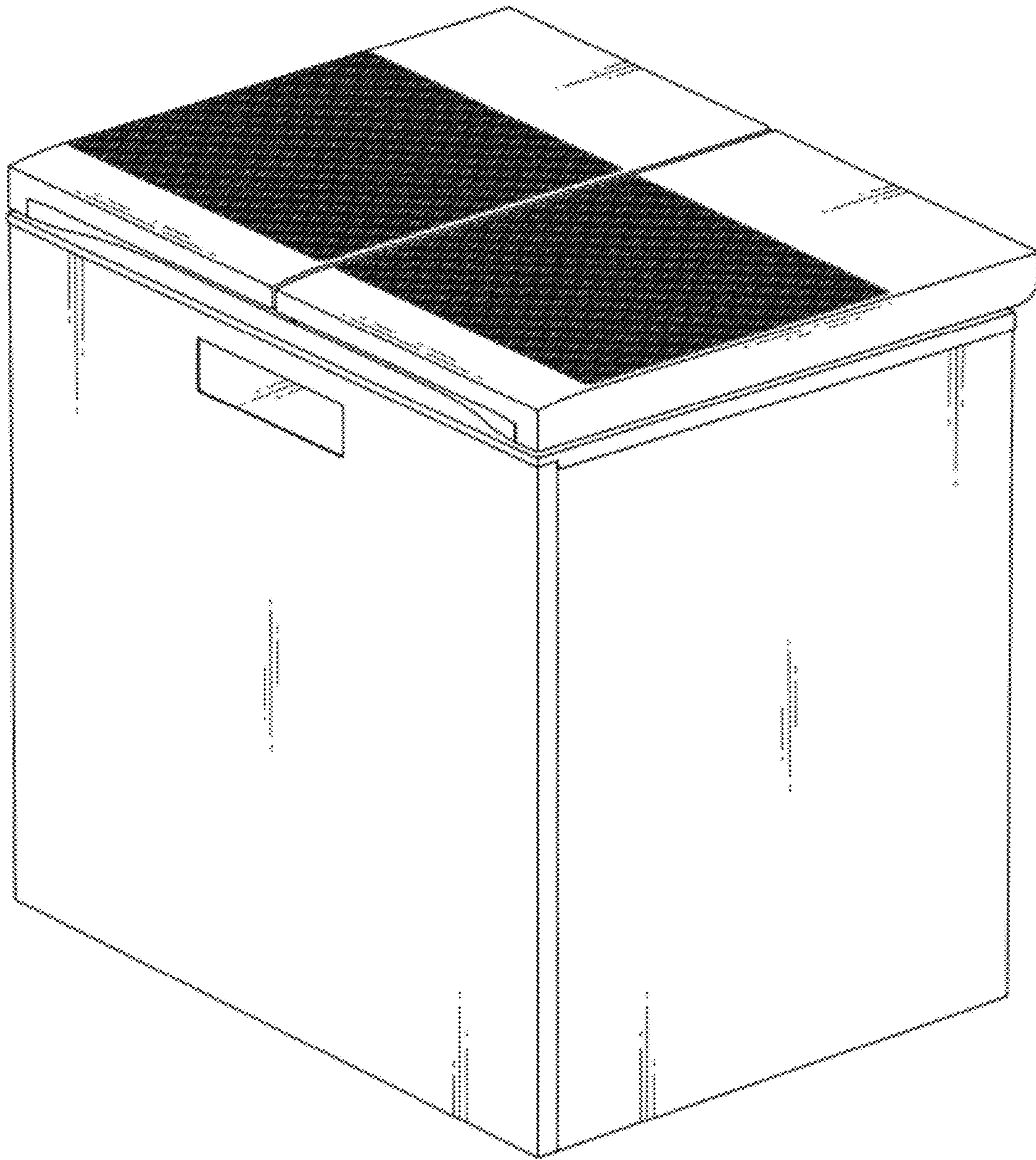


FIG. 2

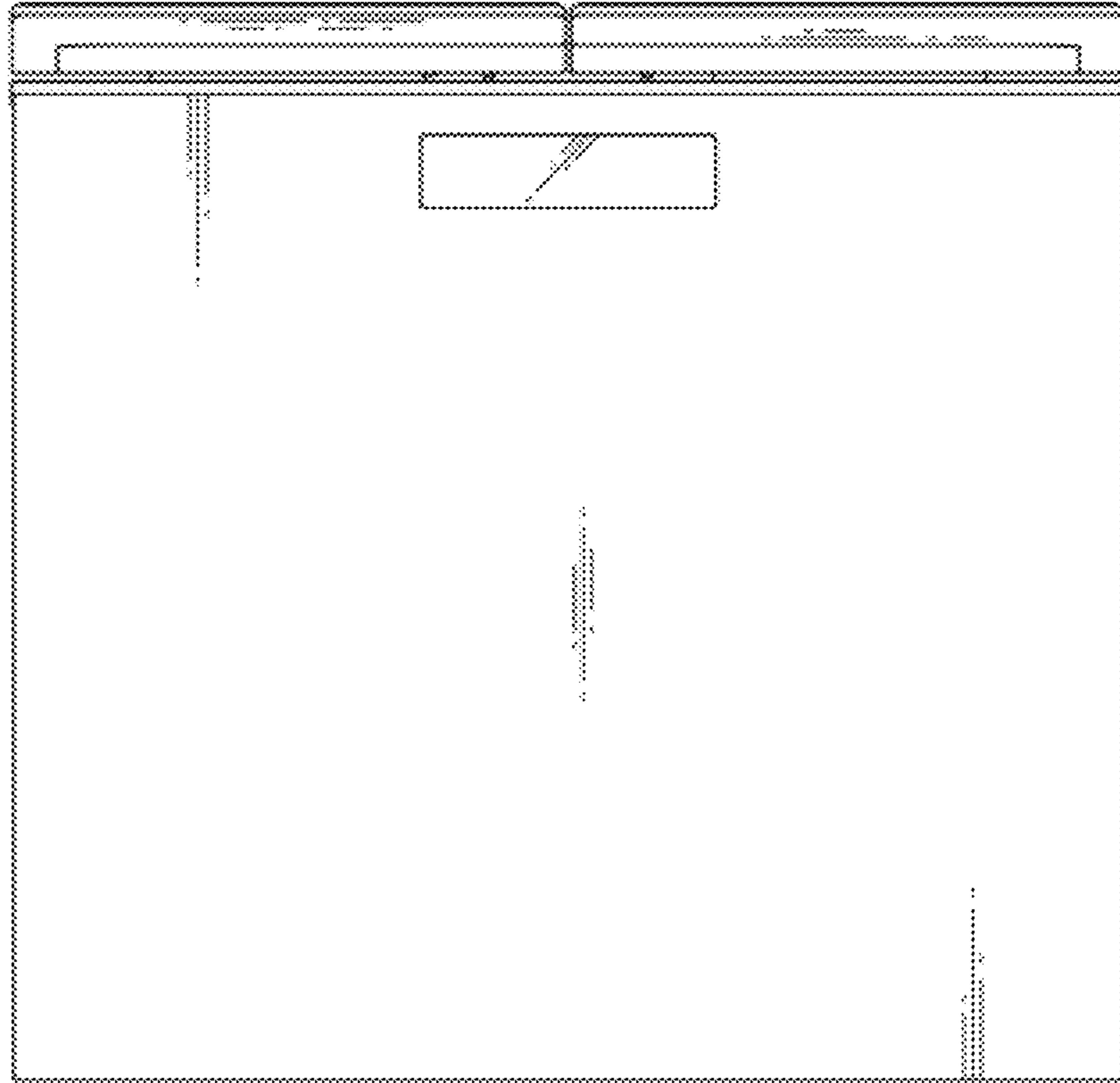


FIG. 3

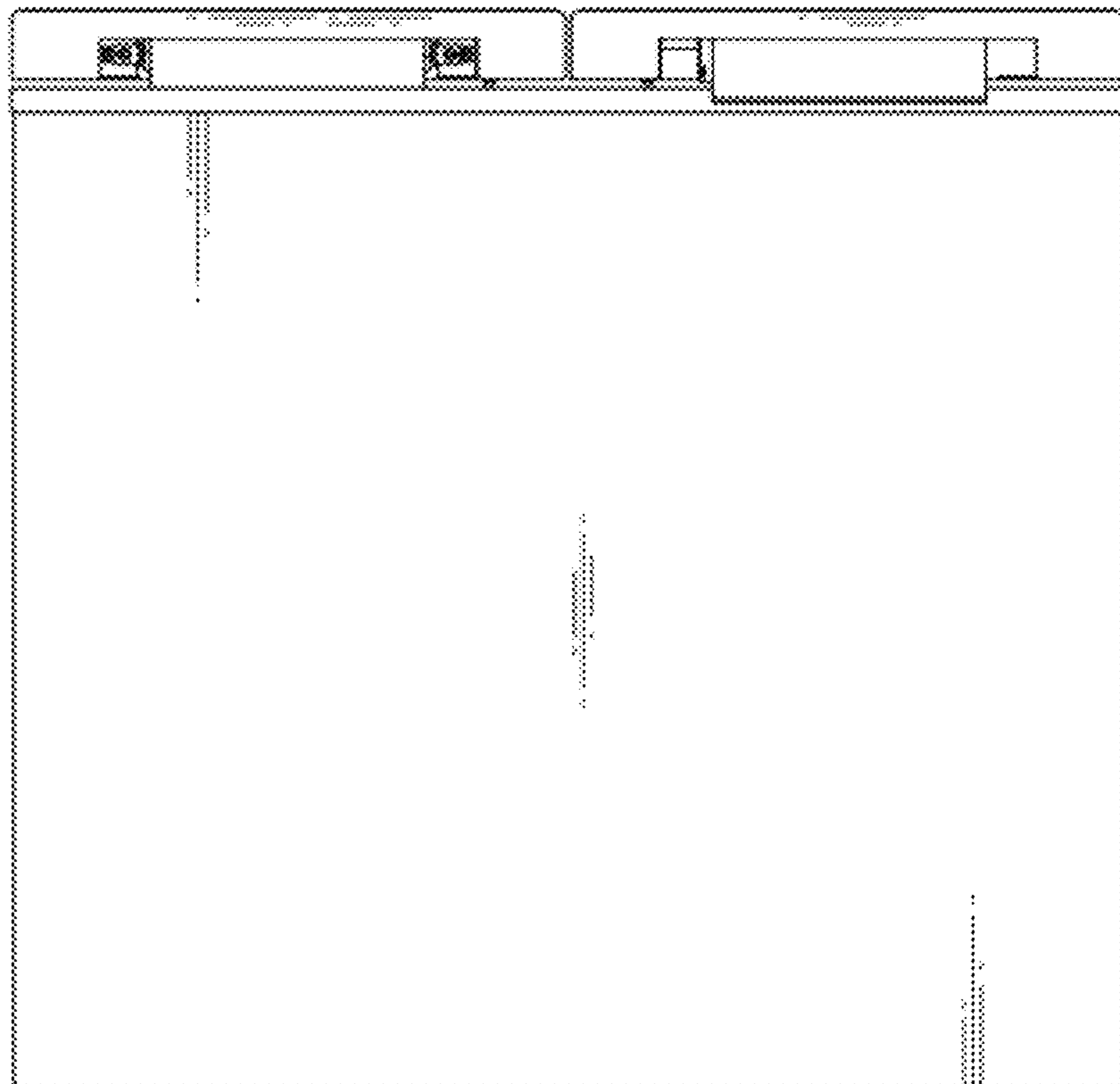


FIG. 4

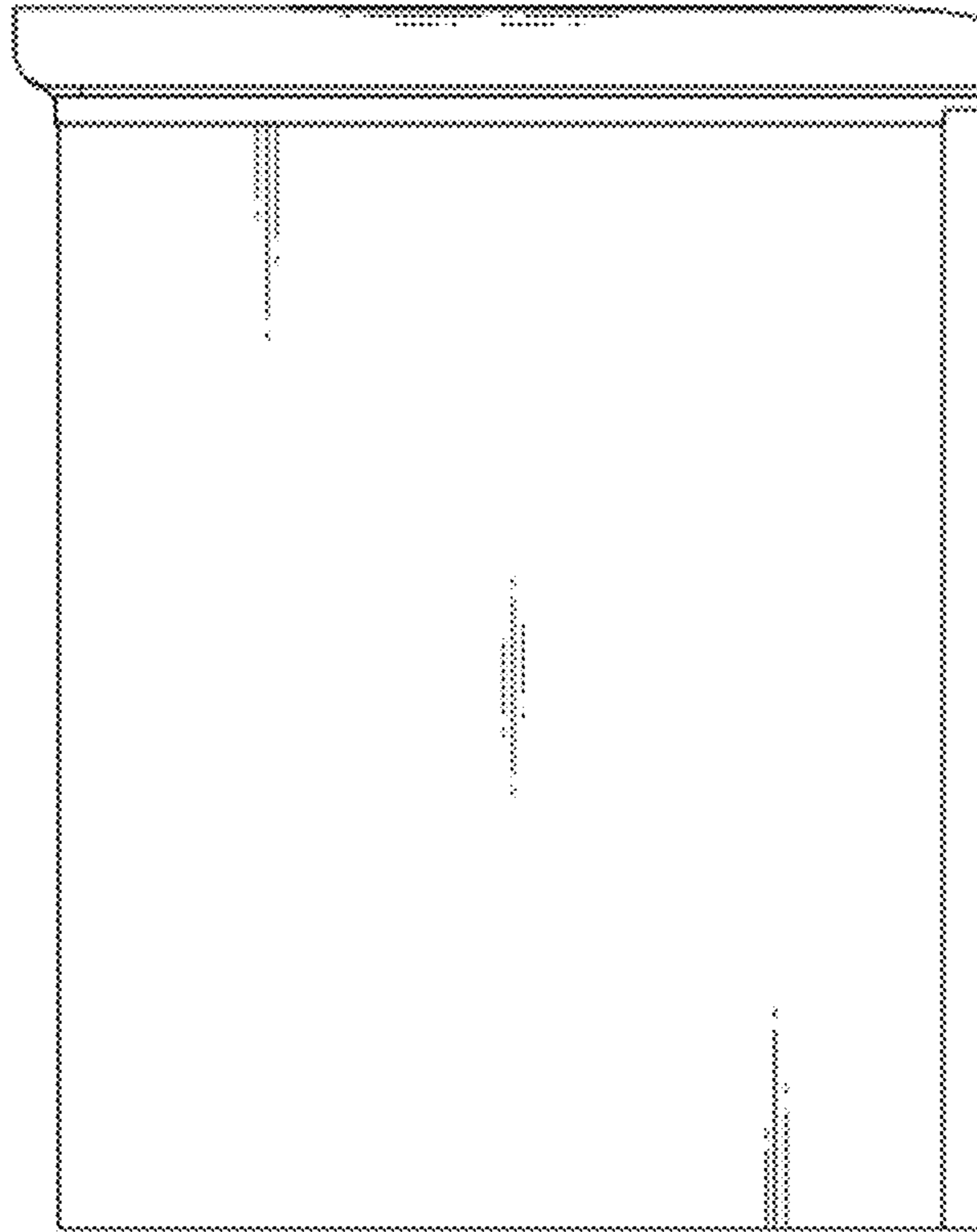


FIG. 5

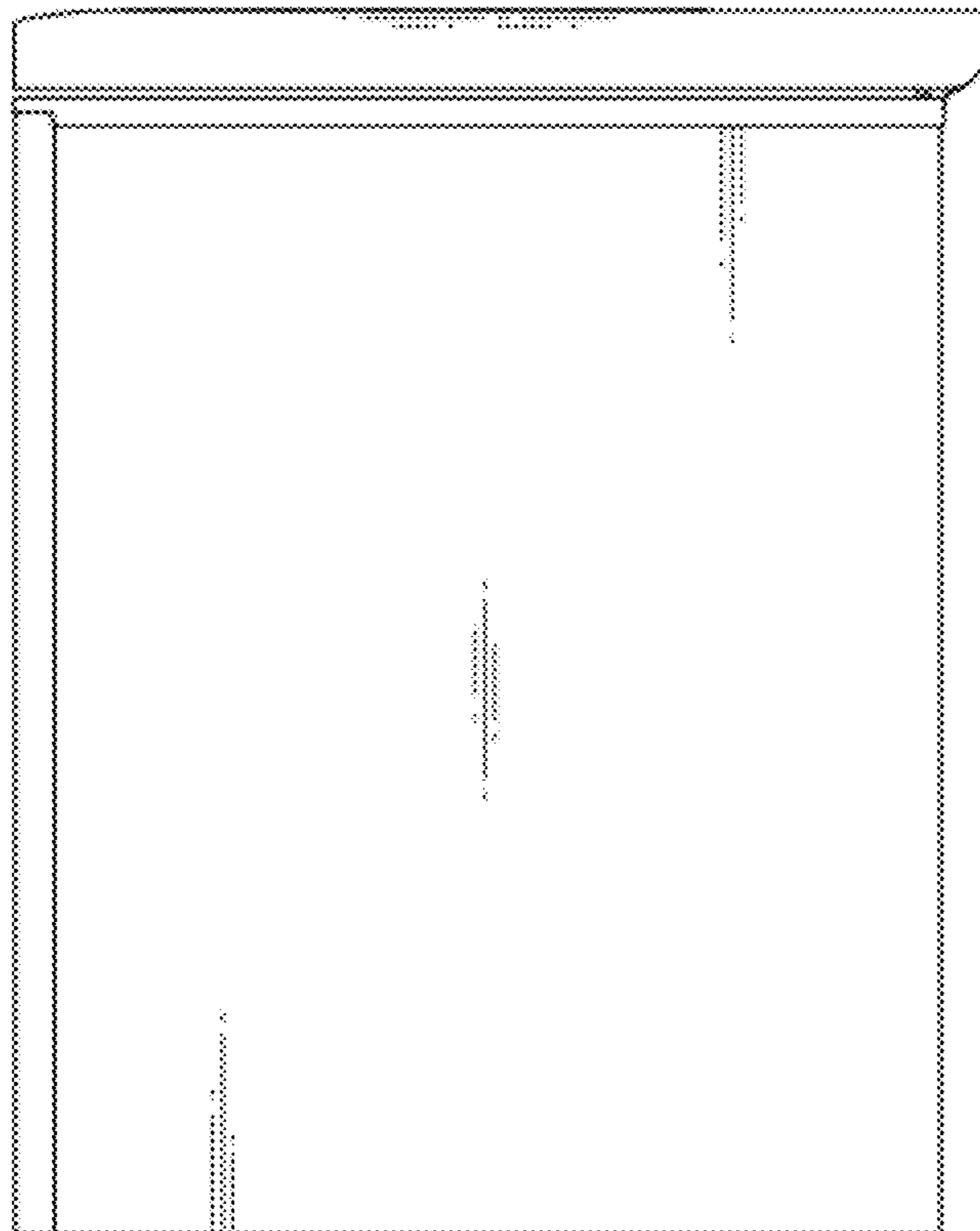


FIG. 6

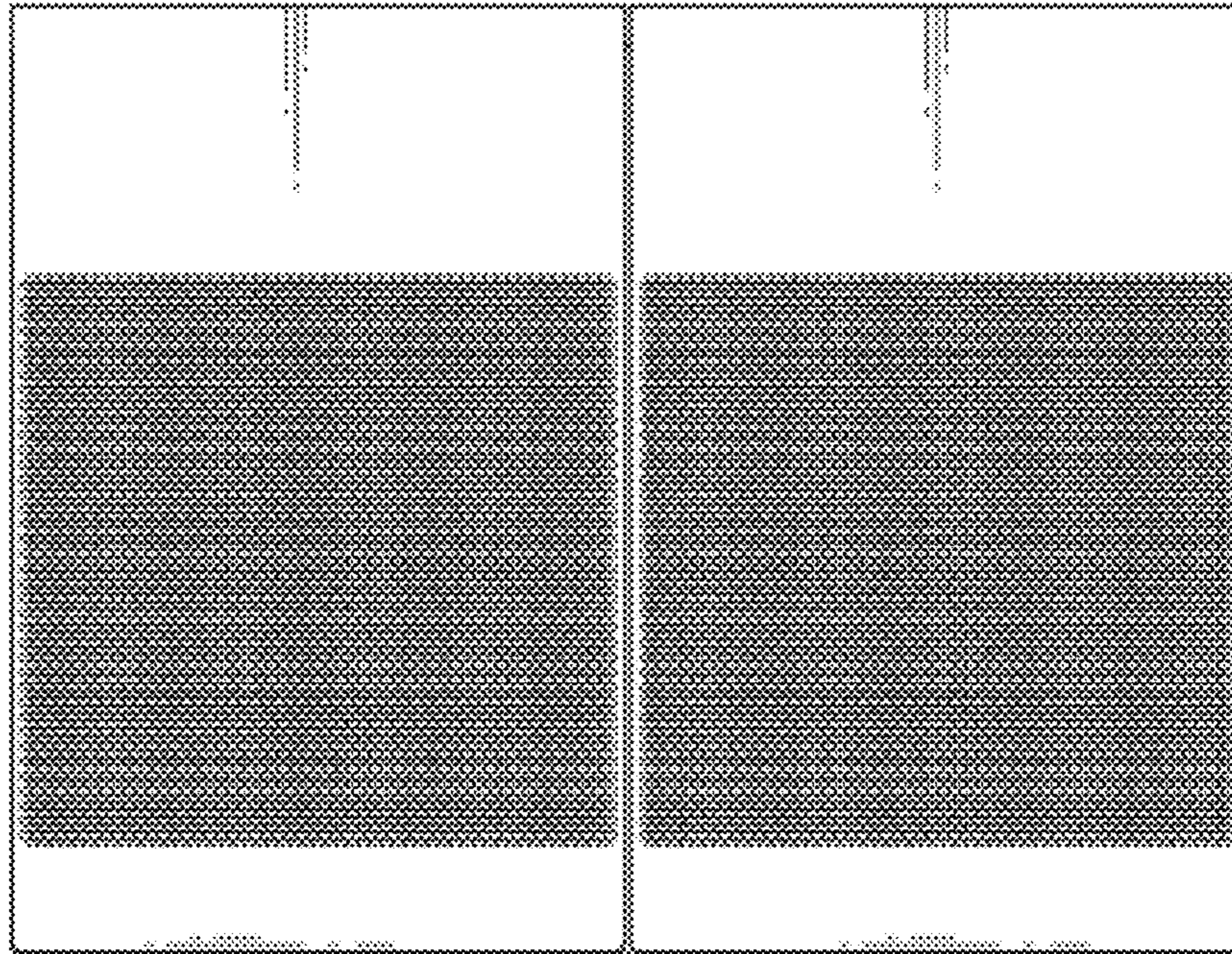


FIG. 7

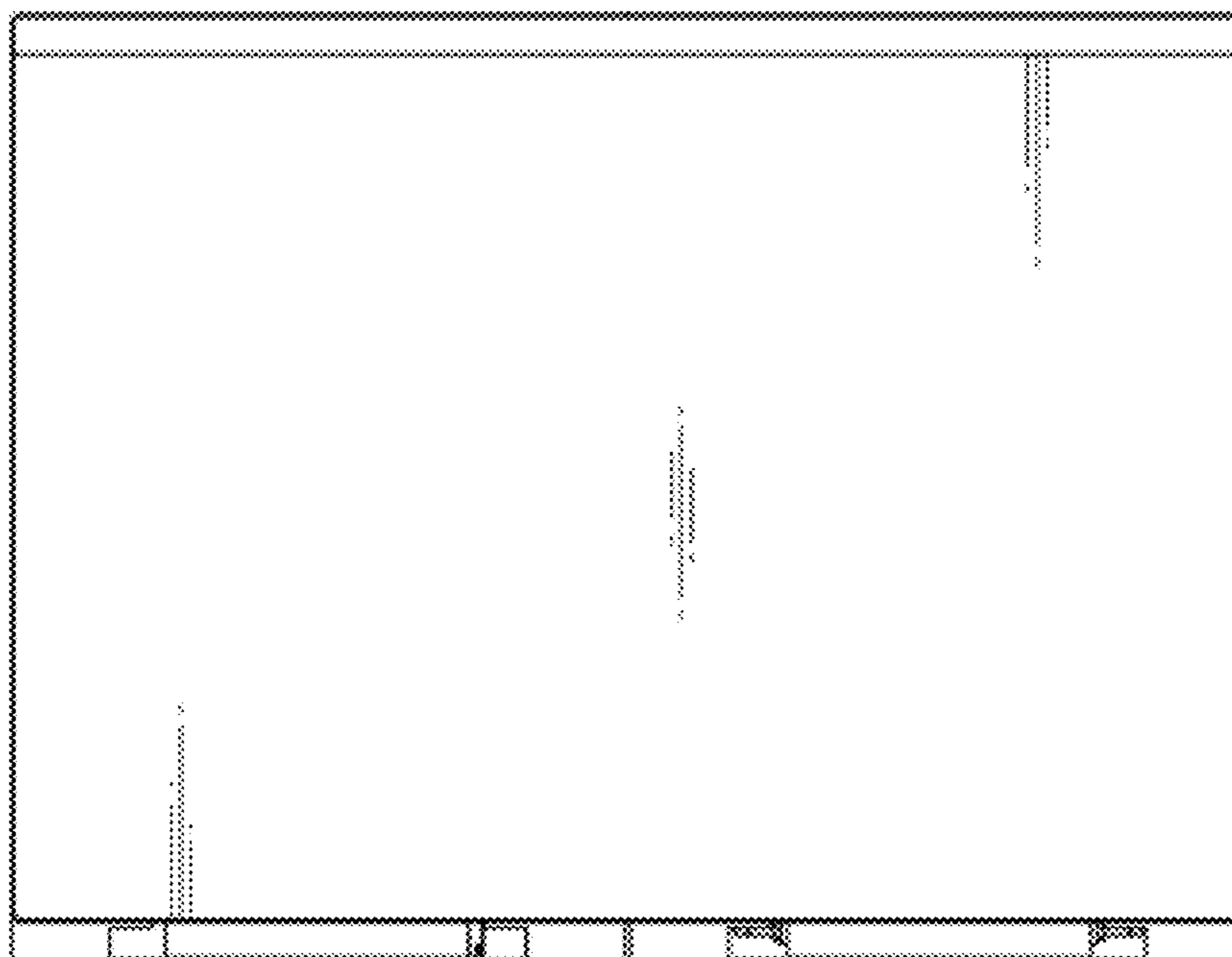


FIG. 8

