



US00D672371S

(12) **United States Design Patent**  
**Nakamura et al.**

(10) **Patent No.:** **US D672,371 S**

(45) **Date of Patent:** **\*\* Dec. 11, 2012**

(54) **BOOM FOR CONSTRUCTION MACHINE**

(75) Inventors: **Takanobu Nakamura**, Hiroshima (JP);  
**Yasushi Shigenari**, Hiroshima (JP);  
**Takanori Yamasaki**, Hiroshima (JP)

(73) Assignee: **Kobelco Construction Machinery Co., Ltd.**, Hiroshima-Shi (JP)

(\*\*) Term: **14 Years**

(21) Appl. No.: **29/429,894**

(22) Filed: **Aug. 17, 2012**

**Related U.S. Application Data**

(62) Division of application No. 29/411,414, filed on Jan. 20, 2012.

(30) **Foreign Application Priority Data**

Jul. 29, 2011 (JP) ..... D2011-17490  
Jul. 29, 2011 (JP) ..... D2011-17493

(51) **LOC (9) Cl.** ..... **15-03**

(52) **U.S. Cl.** ..... **D15/28; D15/32**

(58) **Field of Classification Search** ..... D15/10,  
D15/22-258; D34/36; 37/304, 468; 172/272-275;  
212/347; 180/89.1, 31, 89.12, 89.13; 414/685-688,  
414/722-724, 540, 559, 694, 708, 918, 680,  
414/800, 698, 699, 713

See application file for complete search history.

(56) **References Cited**

**U.S. PATENT DOCUMENTS**

3,282,928 A 11/1966 De Bosredon  
4,094,422 A 6/1978 Thompson  
4,272,222 A \* 6/1981 Davis ..... 414/694  
D262,279 S 12/1981 Rallis et al.  
D299,079 S 12/1988 Bernabe, Jr.  
D301,127 S 5/1989 Lindblom  
5,054,990 A 10/1991 Schaeff  
D339,813 S 9/1993 Houkom  
5,245,770 A 9/1993 Ko et al.  
D348,967 S 7/1994 Goto et al.

5,611,657 A 3/1997 Peterson  
D388,930 S 1/1998 Pinkston et al.  
D410,240 S 5/1999 Sasaki  
D412,913 S 8/1999 Sasaki  
D451,105 S 11/2001 Masumoto et al.  
6,606,805 B2 8/2003 Kimble et al.  
6,996,926 B2 2/2006 Fatemi

(Continued)

**FOREIGN PATENT DOCUMENTS**

JP 2005-105520 A 4/2005

(Continued)

**OTHER PUBLICATIONS**

Catalog of Hitachi Construction Machinery Co., Ltd. Jul. 2010.

*Primary Examiner* — Mark Goodwin

(74) *Attorney, Agent, or Firm* — Birch, Stewart, Kolasch & Birch, LLP

(57) **CLAIM**

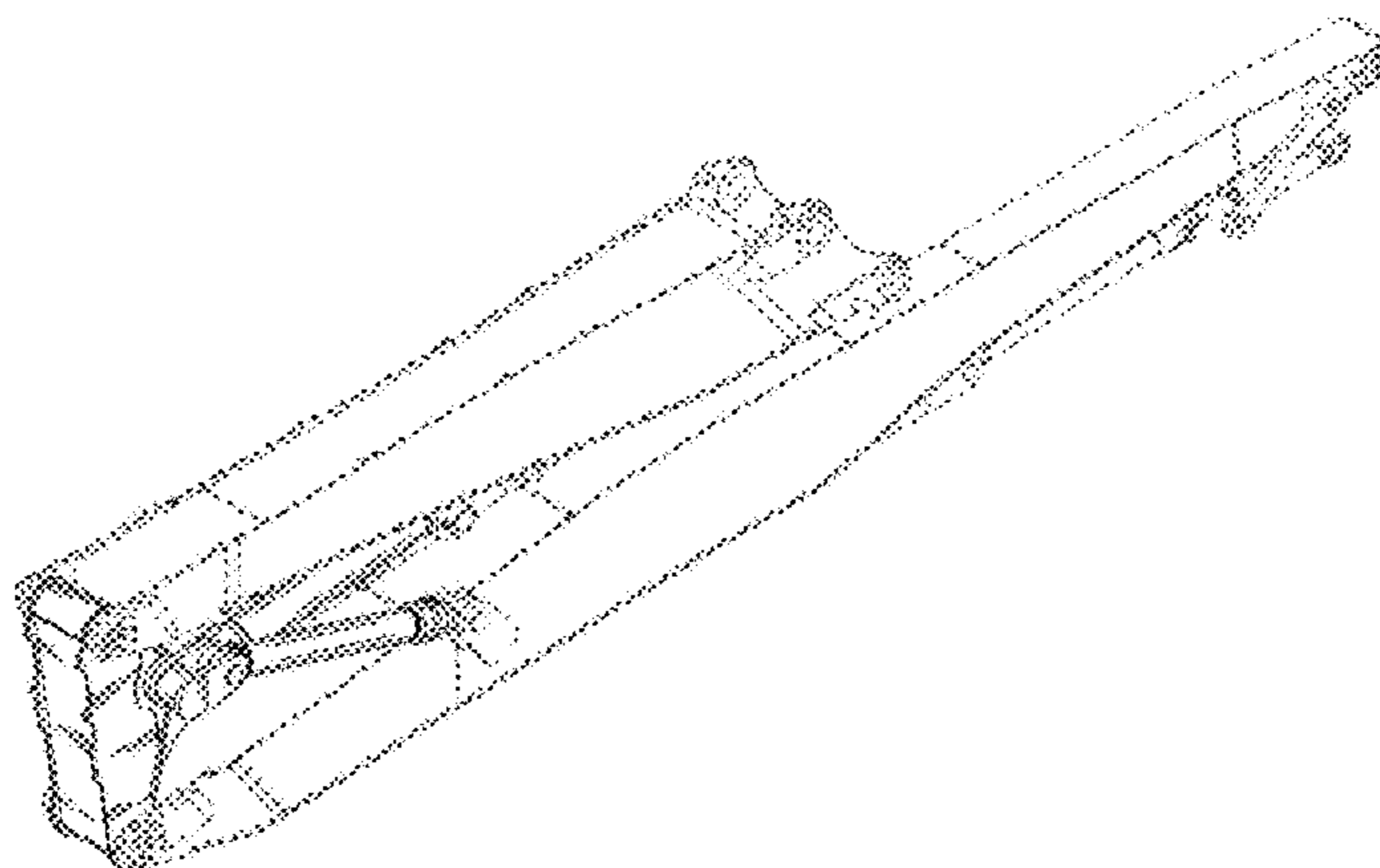
The ornamental design for a boom for construction machine, as shown and described.

**DESCRIPTION**

FIG. 1 is a first perspective view of a boom for construction machine showing our new design;  
FIG. 2 is a second perspective view thereof;  
FIG. 3 is a front view thereof;  
FIG. 4 is a rear view thereof;  
FIG. 5 is a left side view thereof;  
FIG. 6 is a right side view thereof;  
FIG. 7 is a top view thereof;  
FIG. 8 is a bottom view thereof;  
FIG. 9 is an enlarged left side view thereof;  
FIG. 10 is an enlarged right side view thereof;  
FIG. 11 is an enlarged cross-sectional view taken along line 11-11 in FIG. 3 thereof; and,  
FIG. 12 is an enlarged cross-sectional view taken along line 12-12 in FIG. 3 thereof.

The portion shown by broken lines is for illustrative purposes only and forms no part of the claimed design.

**1 Claim, 7 Drawing Sheets**



# US D672,371 S

Page 2

---

## U.S. PATENT DOCUMENTS

D538,829 S 3/2007 Nilsson  
D595,746 S 7/2009 Iida et al.  
D598,031 S 8/2009 Smith et al.  
7,735,530 B1 6/2010 Riha et al.  
D629,019 S 12/2010 Major  
D646,302 S 10/2011 Lanting et al.  
D646,303 S 10/2011 Lanting et al.  
D646,306 S 10/2011 Bradley et al.  
D654,514 S 2/2012 Jamieson et al.  
D656,164 S 3/2012 Nilsson  
D662,682 S 6/2012 Maini et al.  
2002/0071754 A1 6/2002 Fatemi

2003/0118432 A1 6/2003 Lee  
2003/0126772 A1 7/2003 Masumoto et al.  
2005/0011560 A1 1/2005 Anderson et al.  
2006/0096941 A1 5/2006 Stotzer  
2006/0107557 A1 5/2006 Fatemi  
2008/0041805 A1 2/2008 Jantti  
2009/0078666 A1 3/2009 Seino  
2009/0078667 A1 3/2009 Oyamada et al.  
2010/0119344 A1 5/2010 Nabata et al.

## FOREIGN PATENT DOCUMENTS

JP 2008-272648 A 11/2008

\* cited by examiner

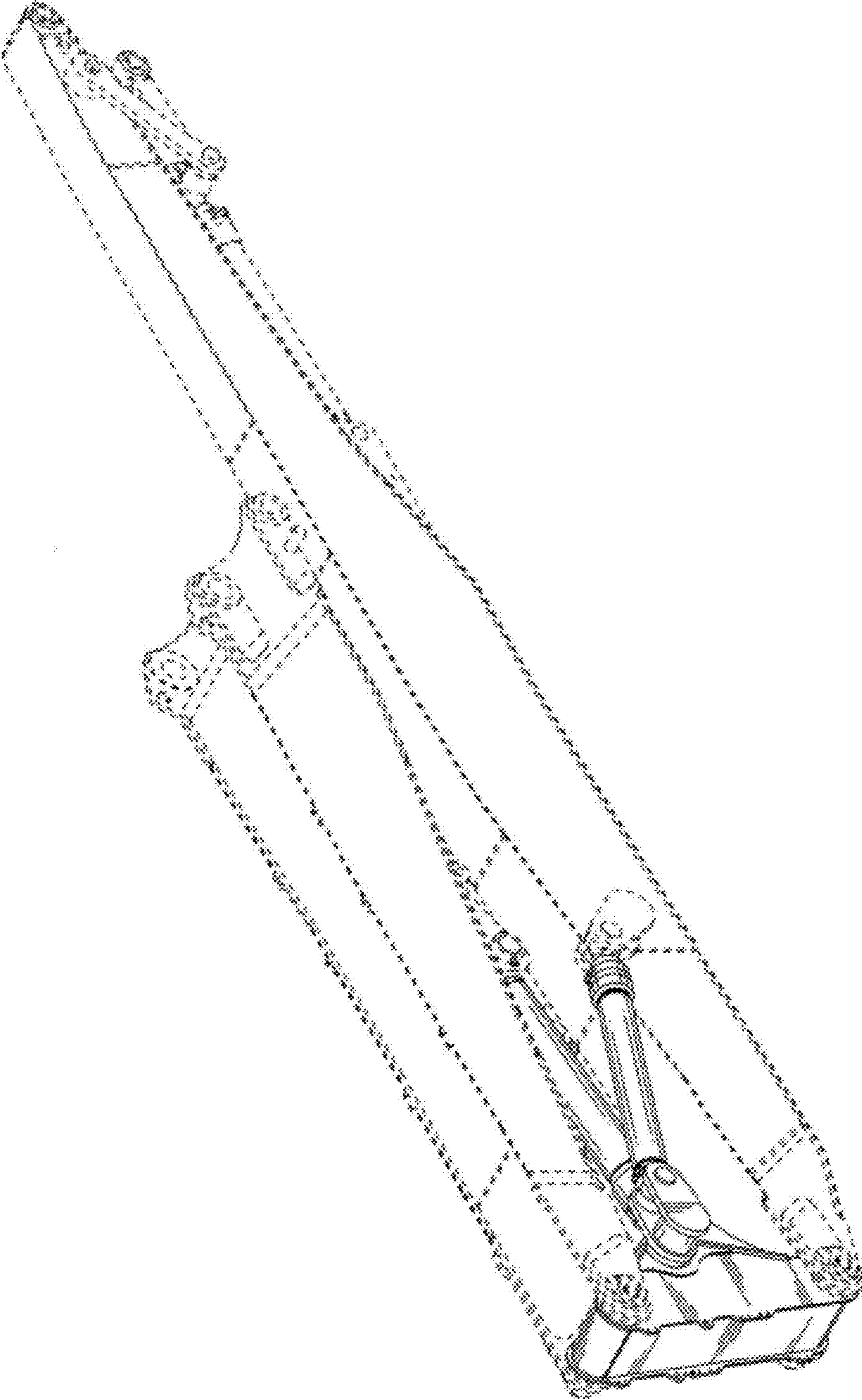


FIG. 1

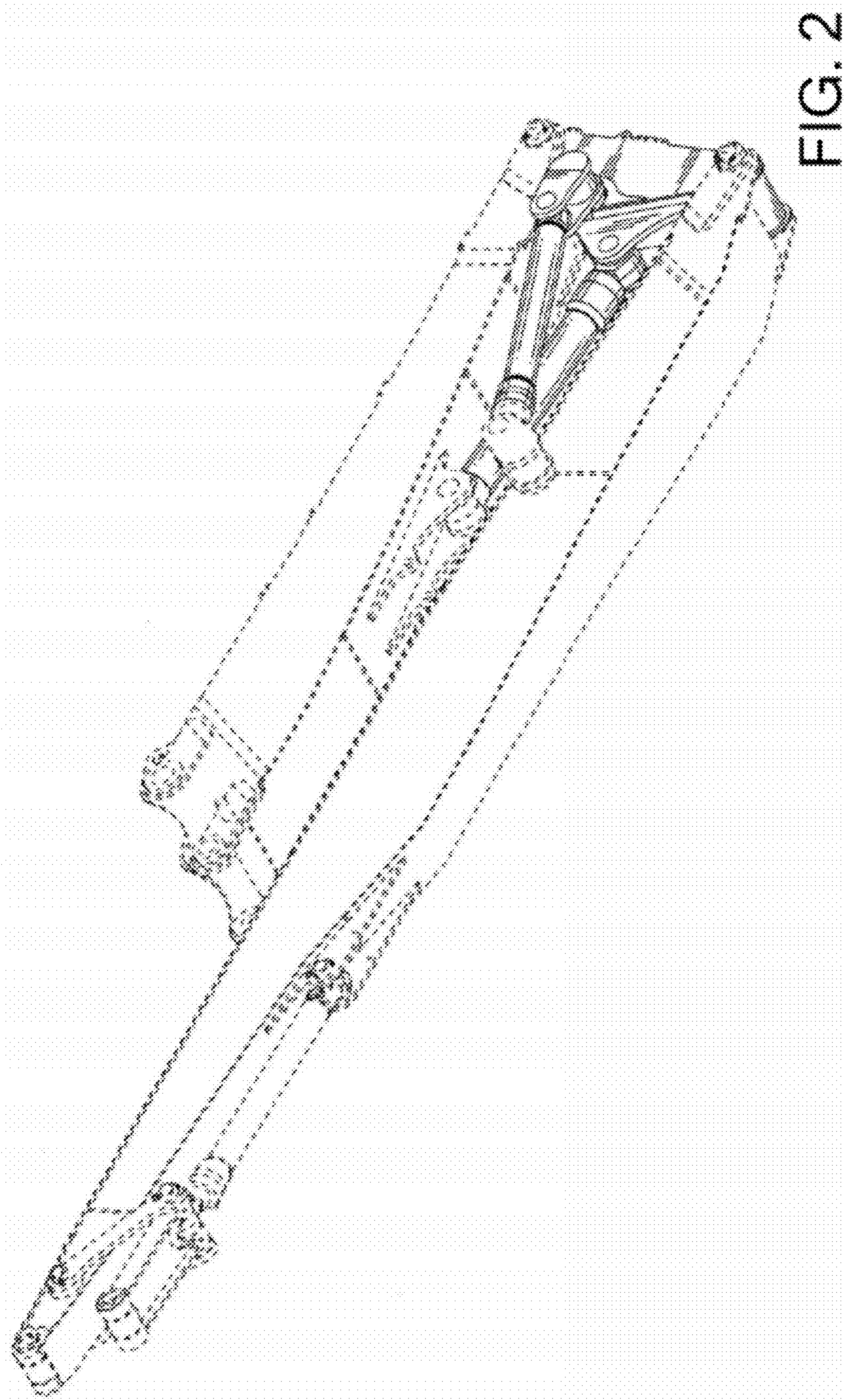
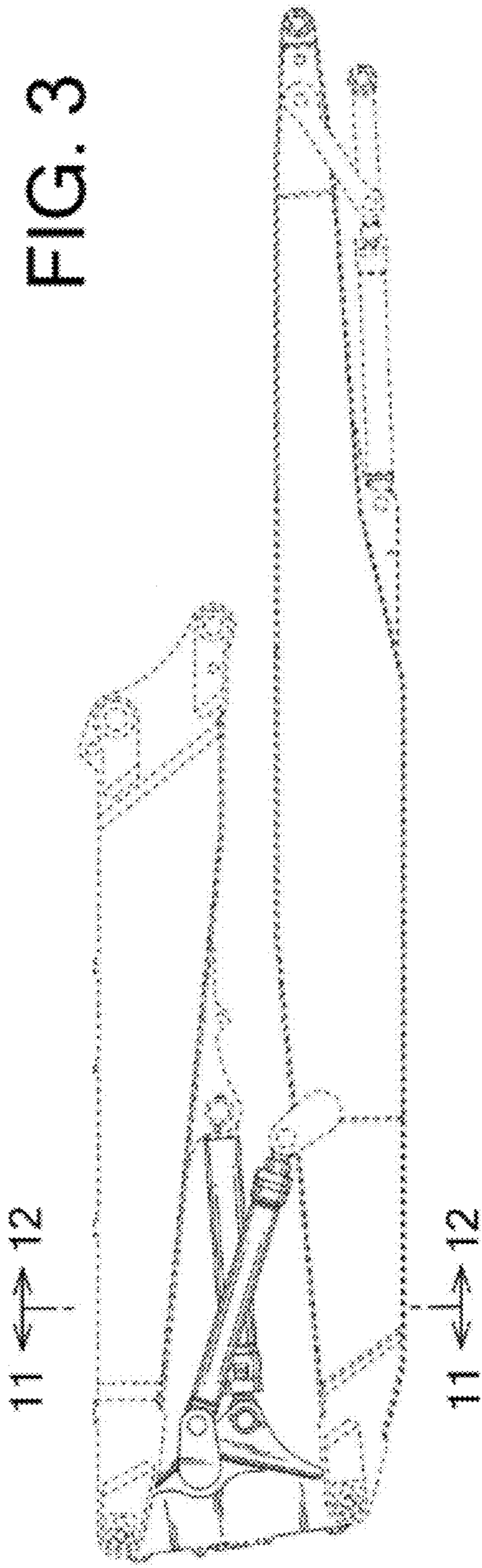


FIG. 2



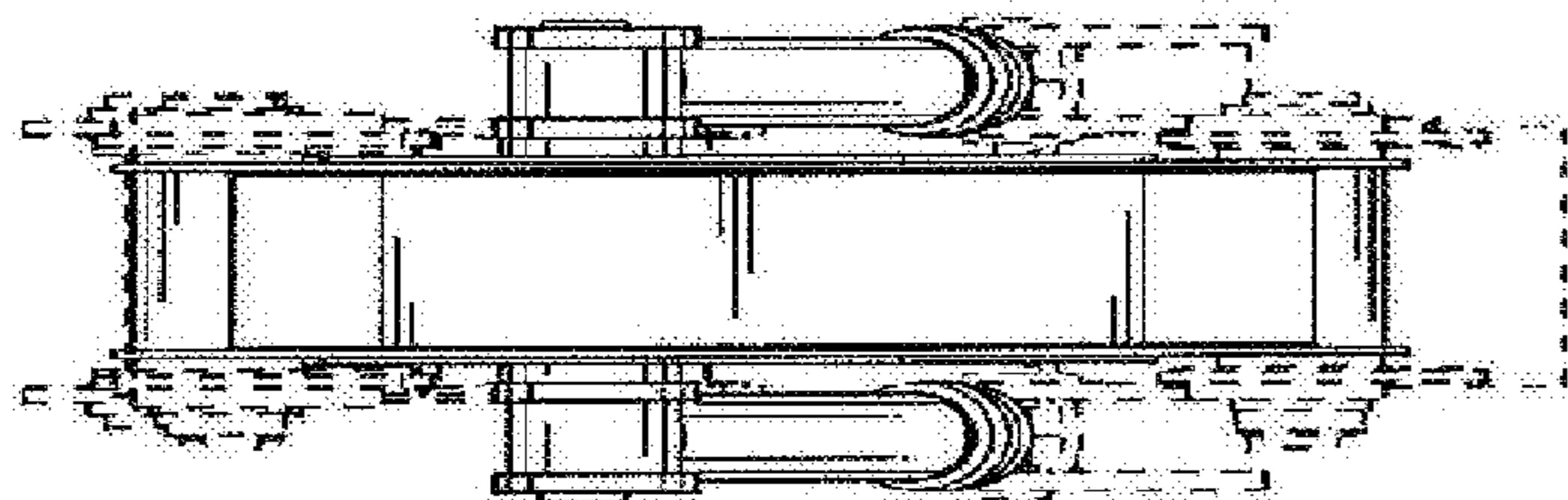
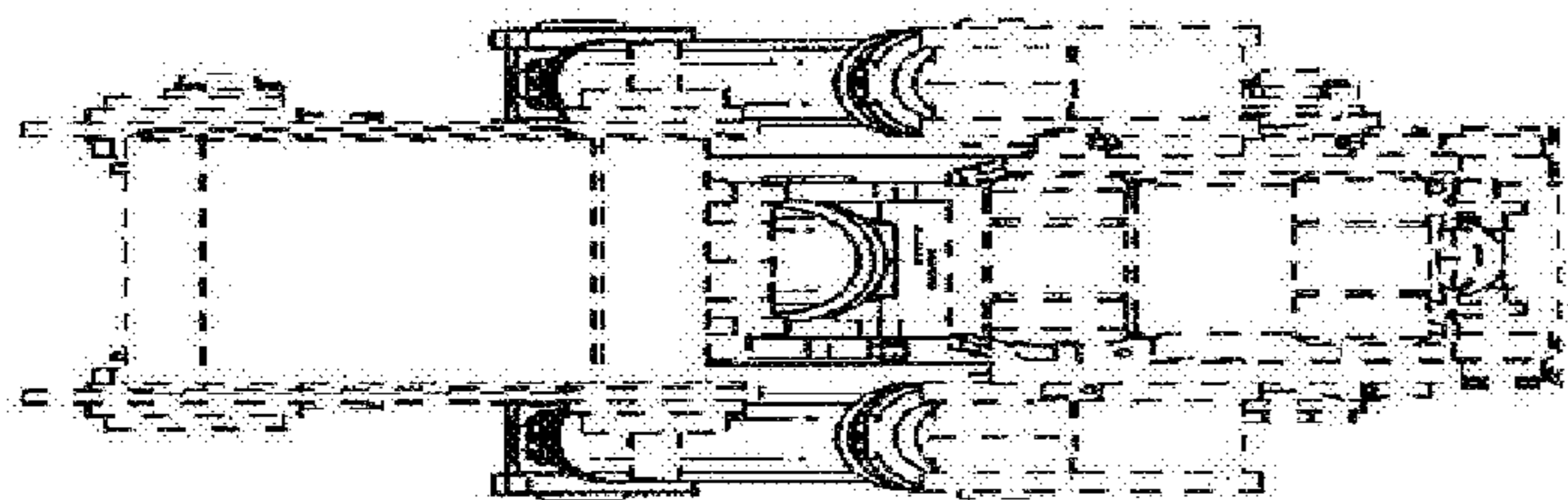


FIG. 5

FIG. 6

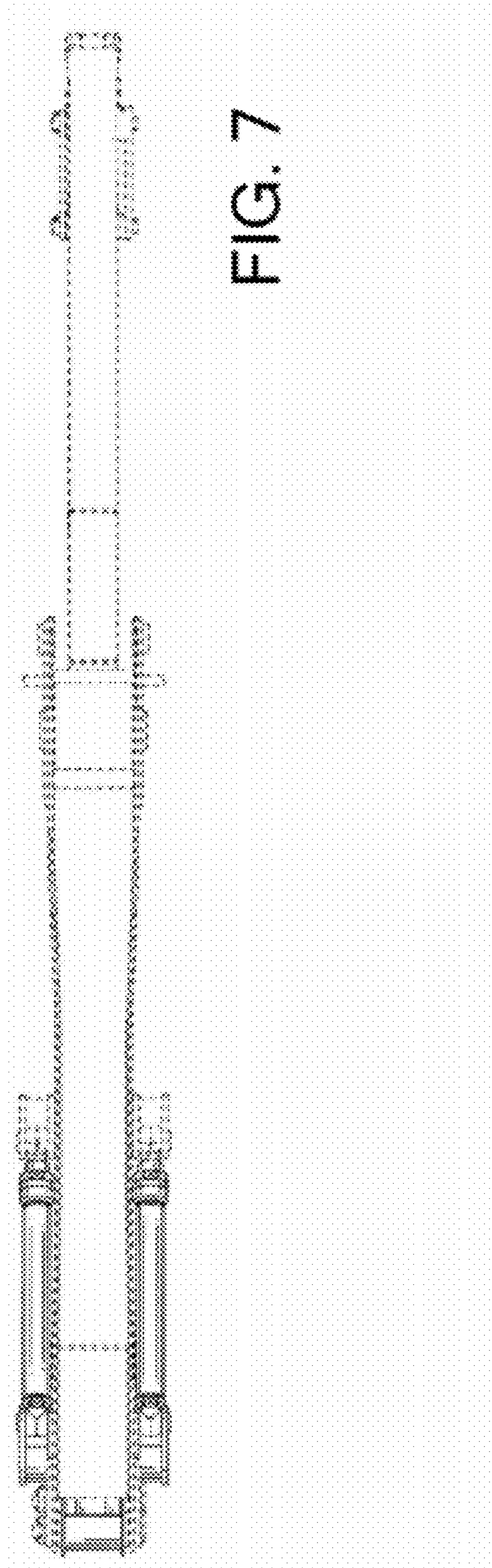


FIG. 7

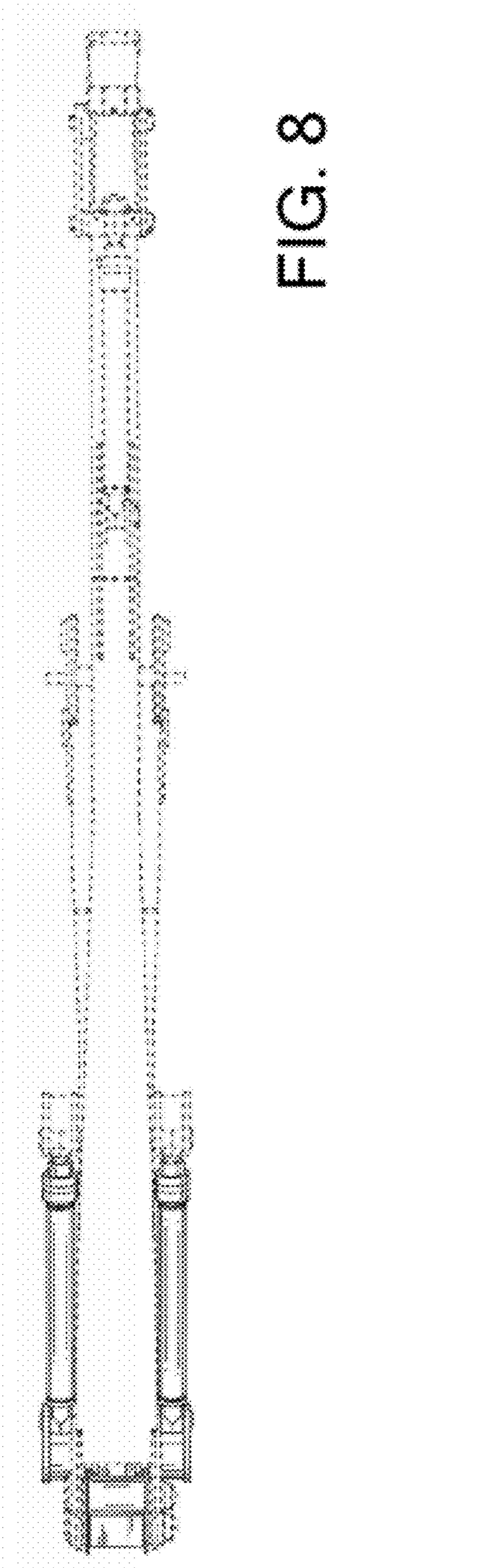


FIG. 8

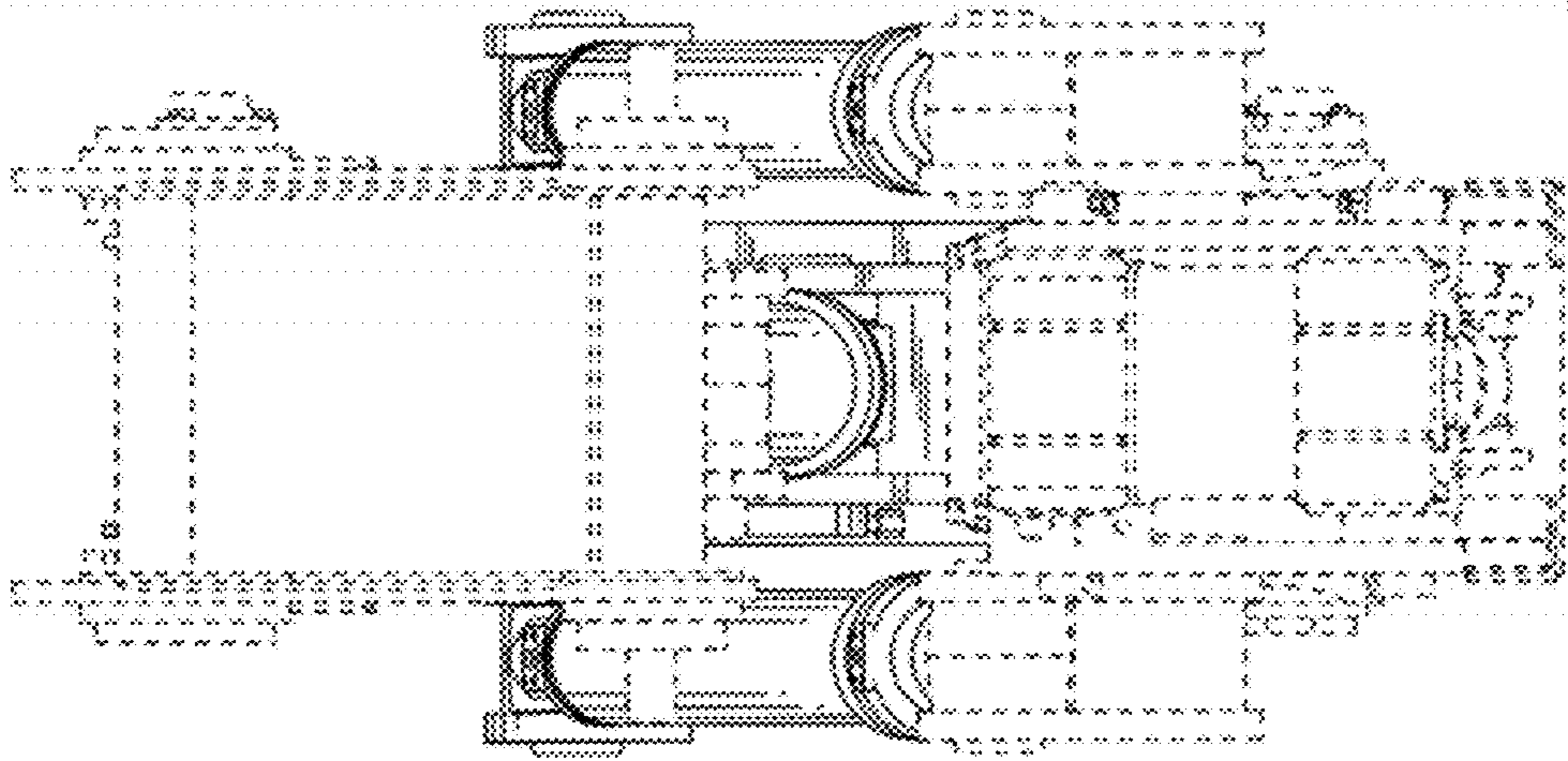


FIG. 10

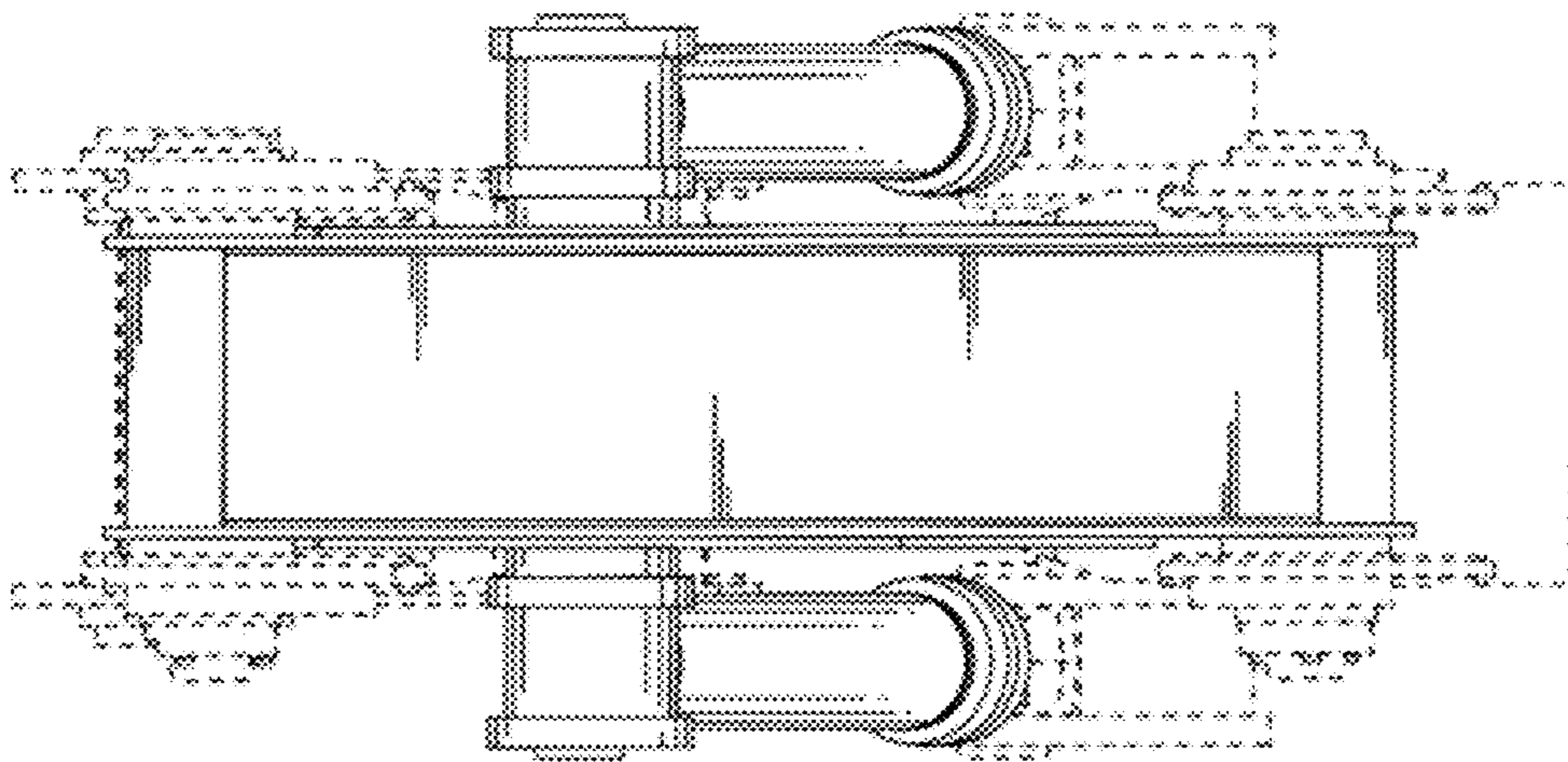


FIG. 9



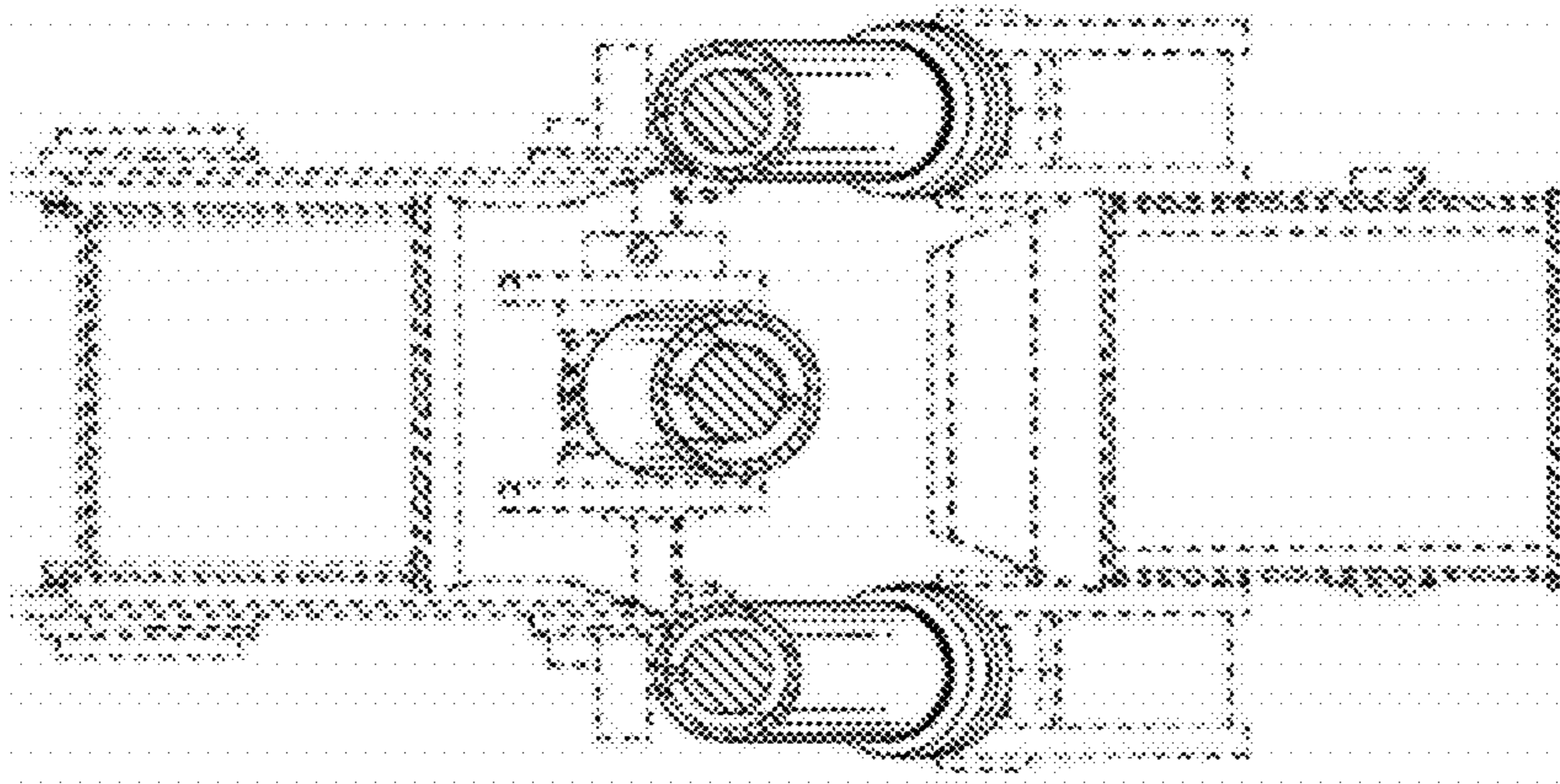


FIG. 12

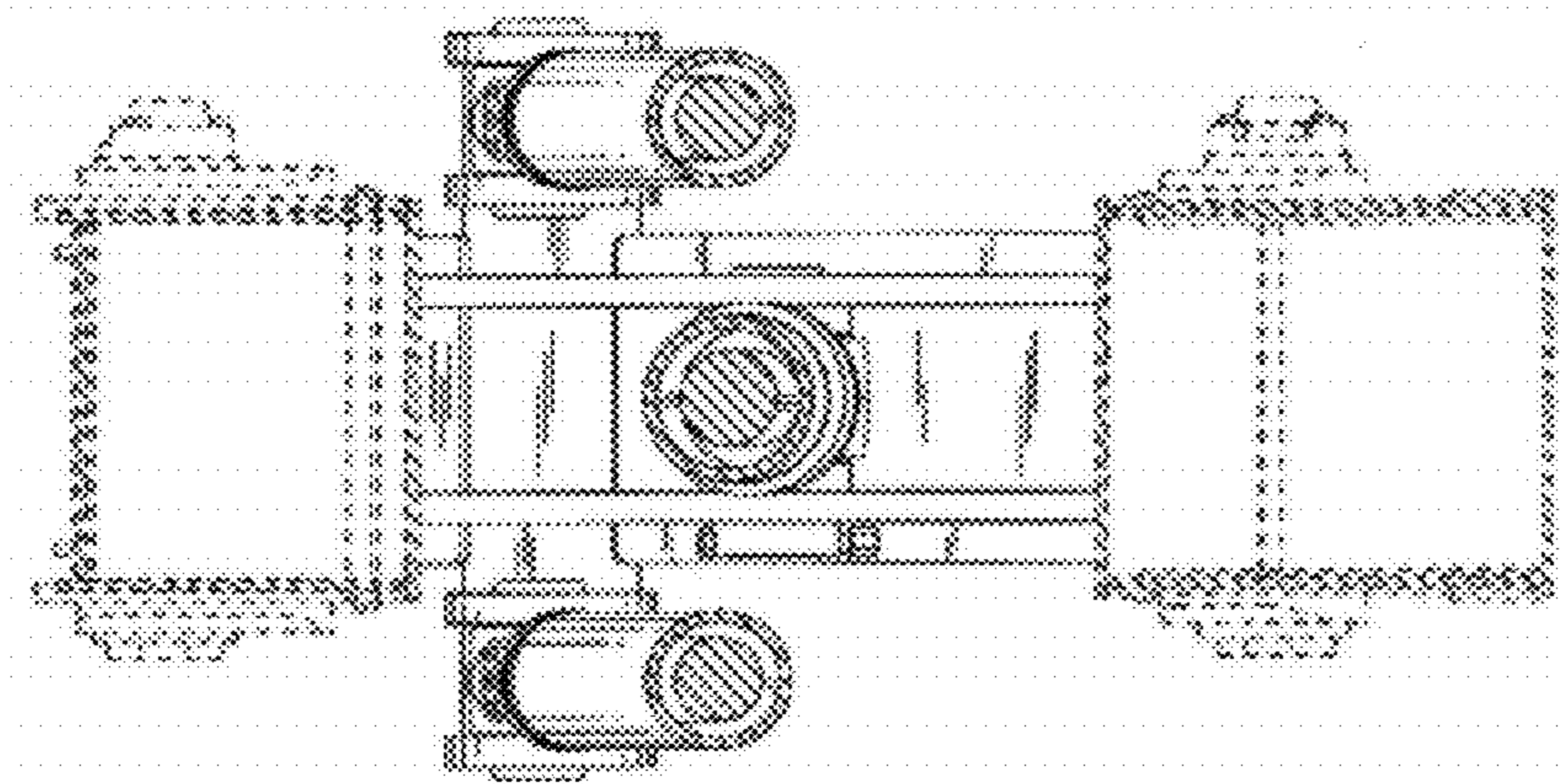


FIG. 11