



US00D672370S

(12) **United States Design Patent**
Becker

(10) **Patent No.:** **US D672,370 S**

(45) **Date of Patent:** **** Dec. 11, 2012**

(54) **FEED PUSHER BLADE APPARATUS**

(76) Inventor: **Harry H. Becker**, Narvon, PA (US)

(**) Term: **14 Years**

(21) Appl. No.: **29/423,382**

(22) Filed: **May 31, 2012**

(51) **LOC (9) Cl.** **15-03**

(52) **U.S. Cl.** **D15/28; D15/32**

(58) **Field of Classification Search** D15/10-12,
D15/22-26, 27, 28, 32; 37/234, 407, 435,
37/441, 442; 172/789, 786, 701, 642, 686,
172/694, 767

See application file for complete search history.

(56) **References Cited**

U.S. PATENT DOCUMENTS

3,234,669	A *	2/1966	Kachnik et al.	172/445.2
D214,833	S *	8/1969	Glommen	D15/32
D216,874	S *	3/1970	Cline	D15/32
D219,809	S *	2/1971	Coontz	D15/32
D248,302	S *	6/1978	Zoller	D15/32
4,463,507	A *	8/1984	Gaub	37/404
D319,448	S *	8/1991	Ball et al.	D15/32
D329,004	S *	9/1992	King	D8/1
5,332,331	A *	7/1994	Critz et al.	404/96
5,425,189	A *	6/1995	Anderson et al.	37/405
D361,772	S *	8/1995	Hulsey	D15/32
5,529,131	A *	6/1996	Van Ornum	172/789
5,592,760	A *	1/1997	Kohout	37/403
D395,436	S *	6/1998	Hagenbuch	D15/32
5,775,438	A *	7/1998	Confoey et al.	172/831
6,560,904	B2 *	5/2003	Guggino	37/233
D570,377	S *	6/2008	Evans et al.	D15/11

D594,882	S *	6/2009	Schultz	D15/11
D623,668	S *	9/2010	Bissell	D15/27
D629,425	S *	12/2010	Morin	D15/11
2003/0061741	A1 *	4/2003	Guggino	37/266

* cited by examiner

Primary Examiner — Mark Goodwin

(74) *Attorney, Agent, or Firm* — Miller Law Group, PLLC

(57) **CLAIM**

The ornamental design for a feed pusher blade apparatus, as shown and described.

DESCRIPTION

FIG. 1 is a front elevational view of the feed pusher blade apparatus, with the blade member being positioned in a straight forward orientation, showing my new design;
 FIG. 2 is a rear elevational view thereof;
 FIG. 3 is a left side elevational view thereof depicting blade member positioned in the straight forward orientation;
 FIG. 4 is a right side elevational view thereof;
 FIG. 5 is a top plan view of the feed pusher blade apparatus with the blade member being positioned in the straight forward orientation;
 FIG. 6 is a bottom plan view thereof;
 FIG. 7 is a right, front perspective view of the feed pusher blade apparatus with the blade member being positioned in the straight forward orientation;
 FIG. 8 is a right, front perspective view of the feed pusher blade apparatus with the blade member being positioned in the angled right operative orientation; and,
 FIG. 9 is a right, front perspective view of the feed pusher blade apparatus with the blade member being positioned in the angled left operative orientation.

1 Claim, 9 Drawing Sheets

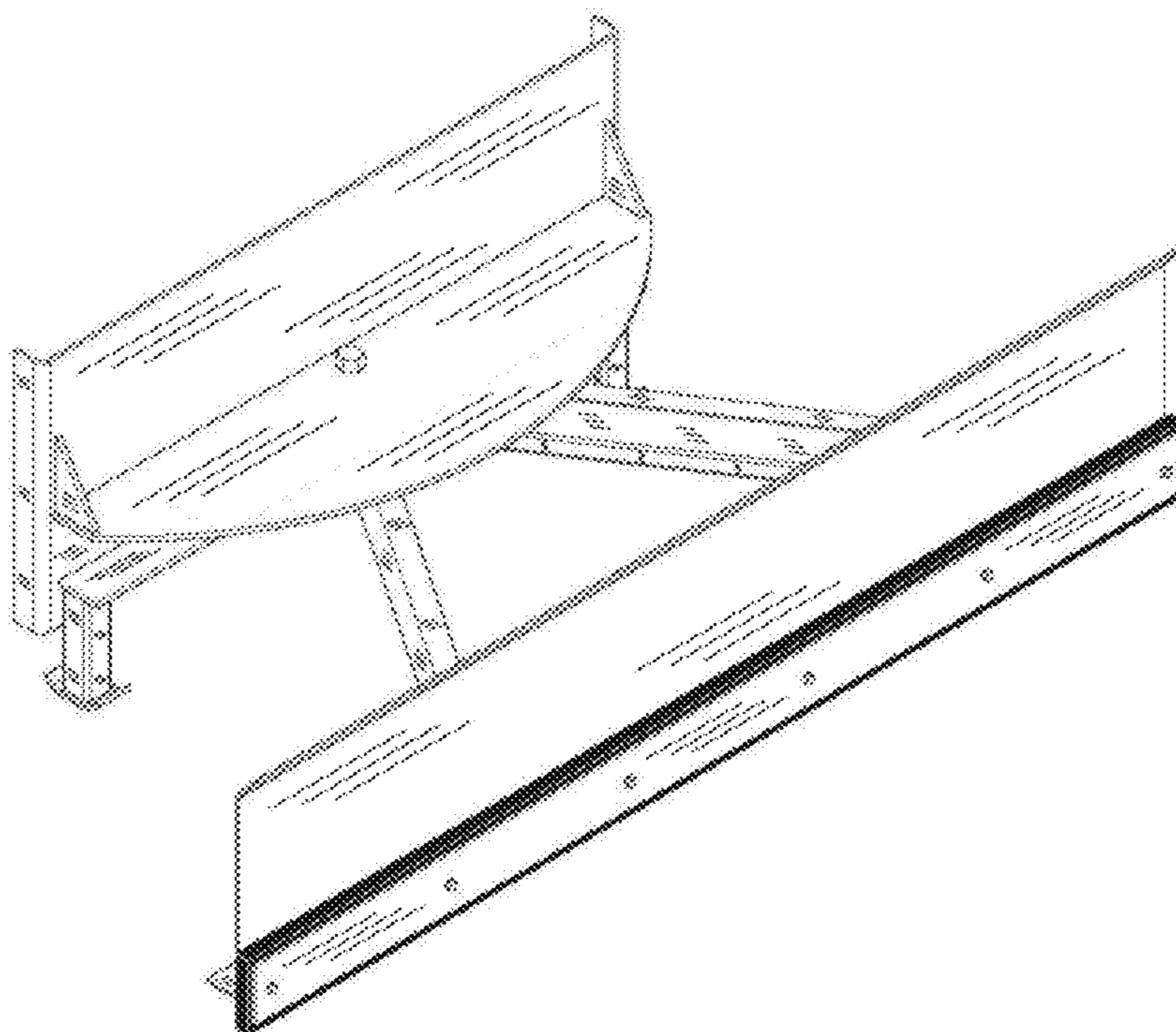


Fig. 1

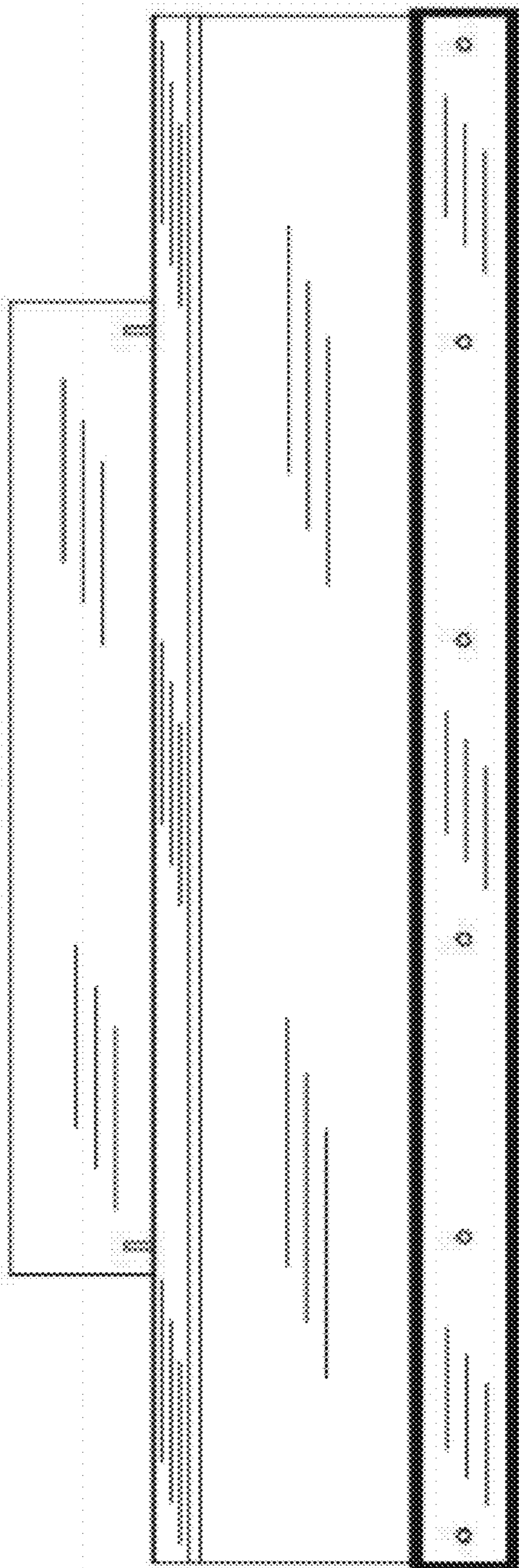


Fig. 2

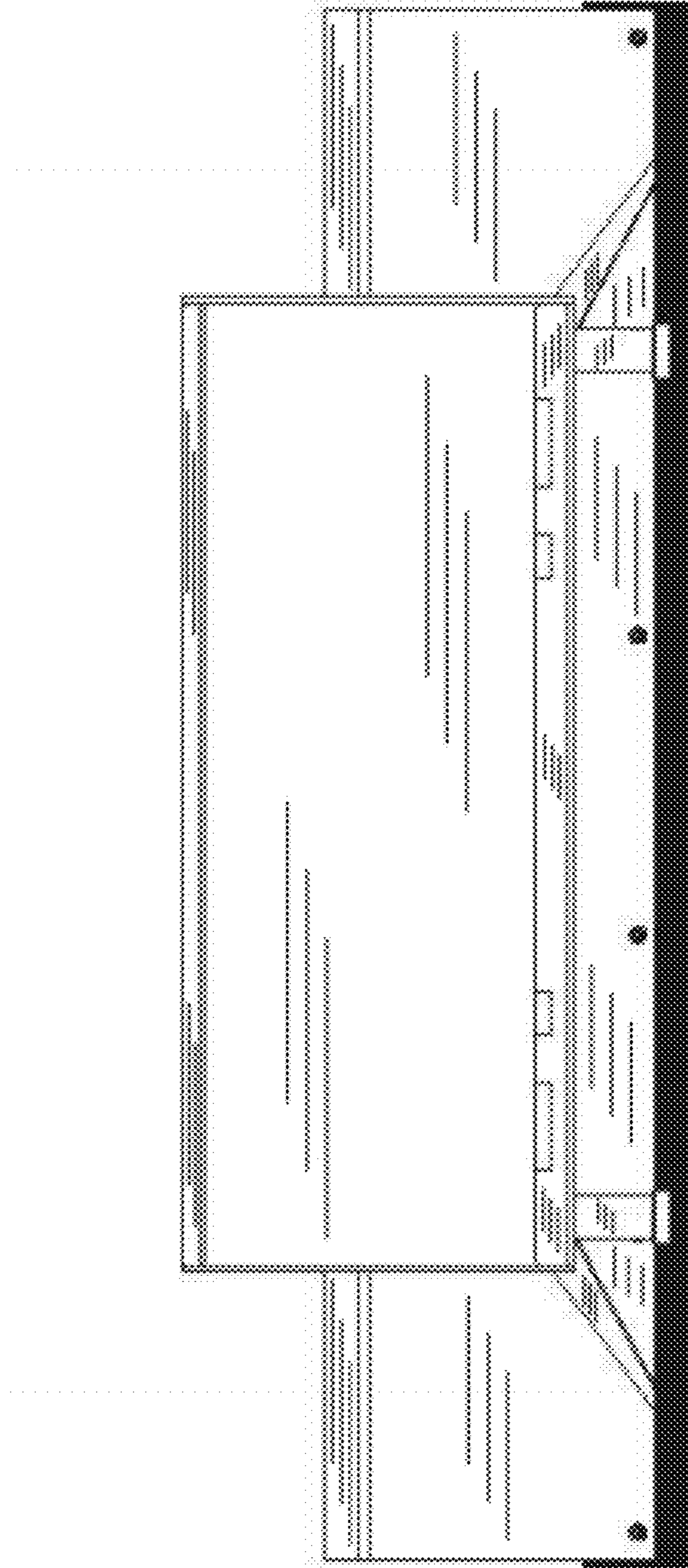
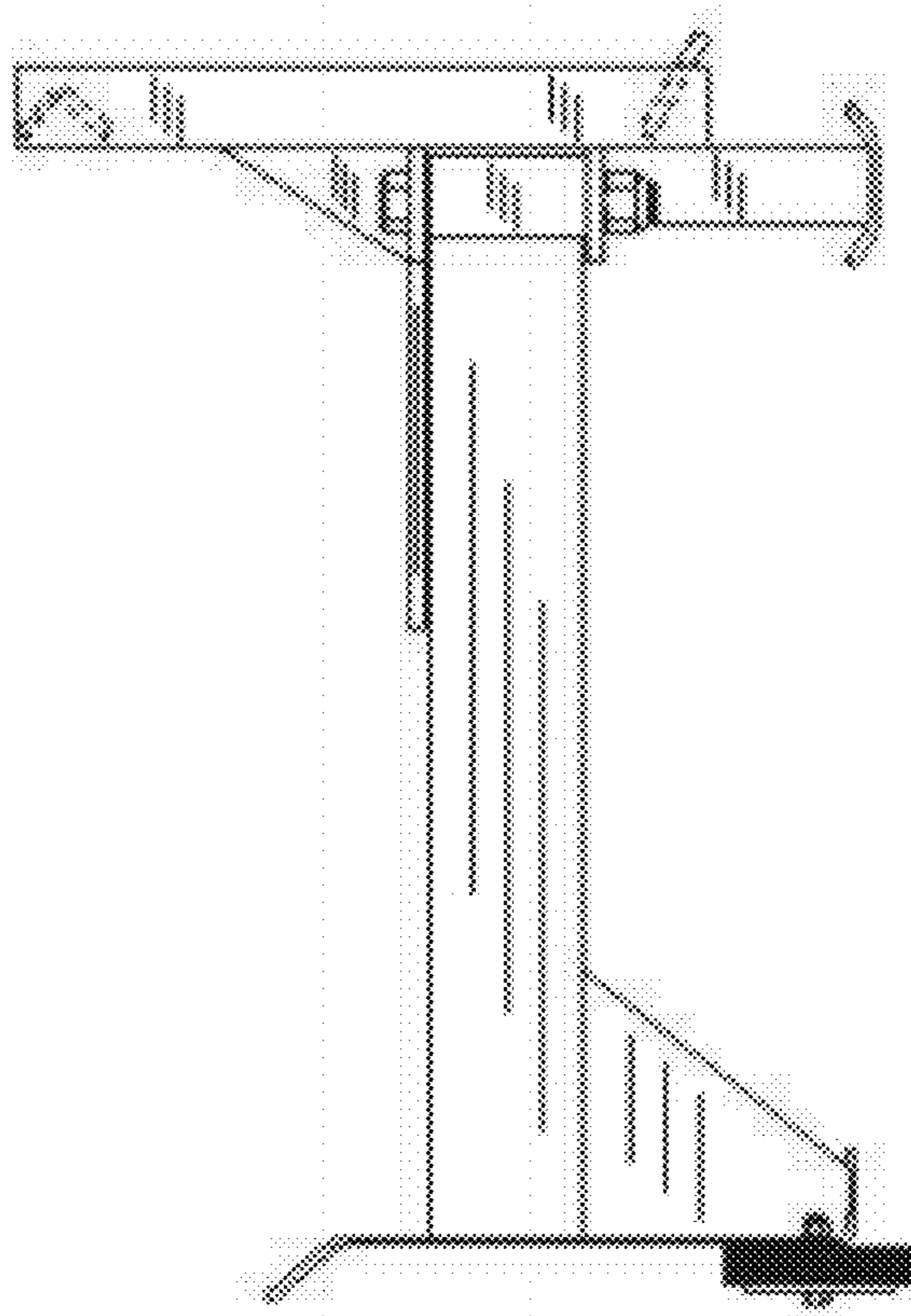


Fig. 3



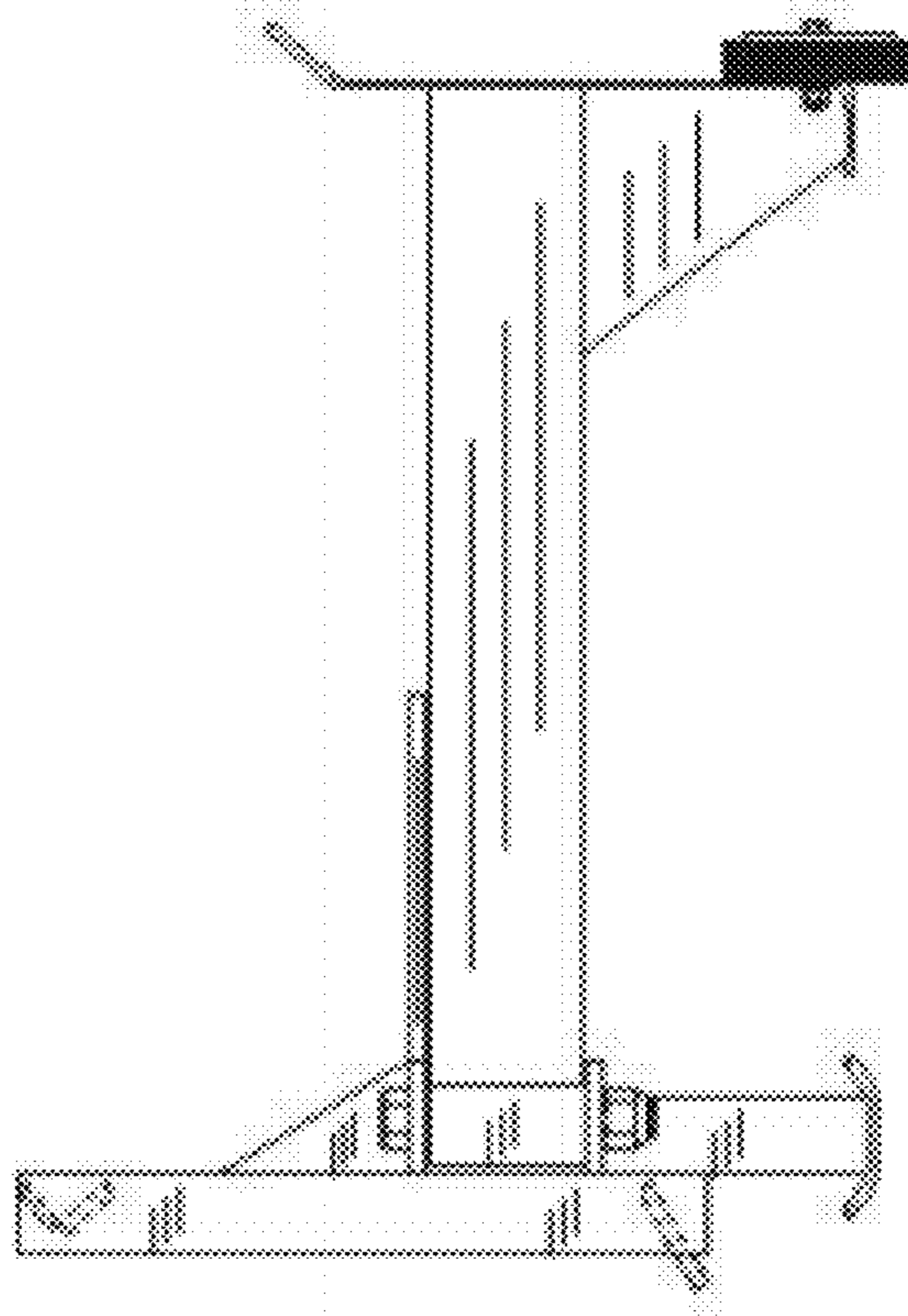


Fig. 4

Fig. 5

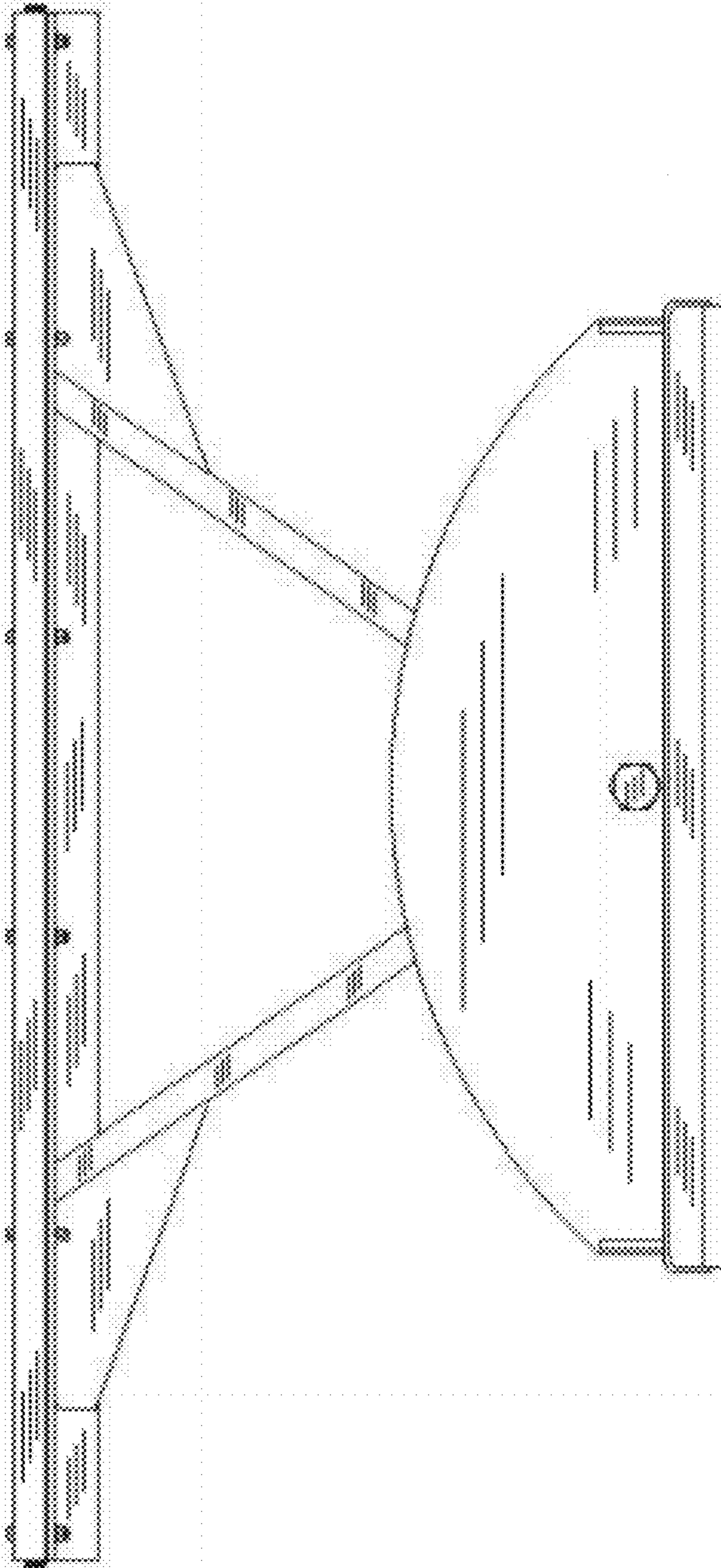
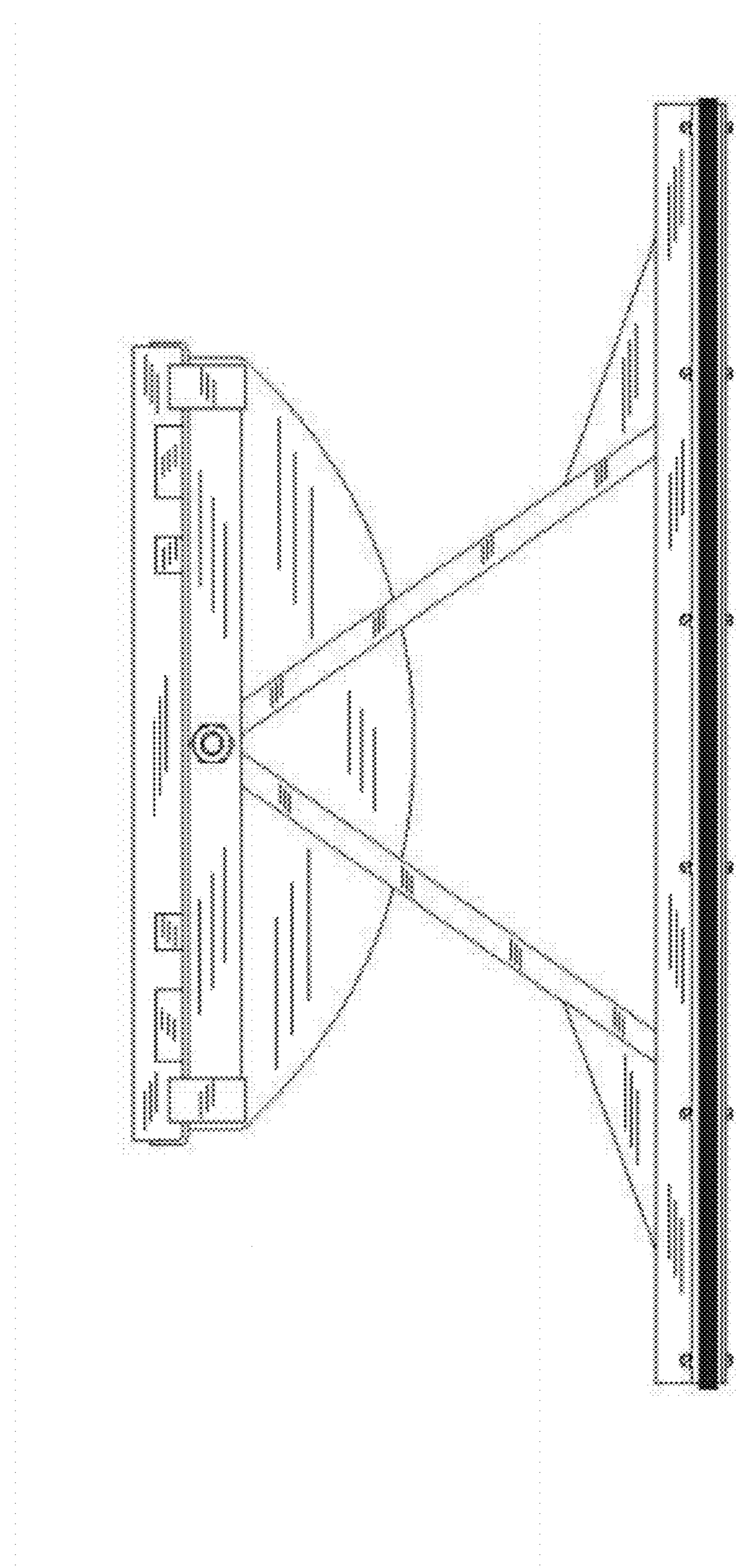


Fig. 6



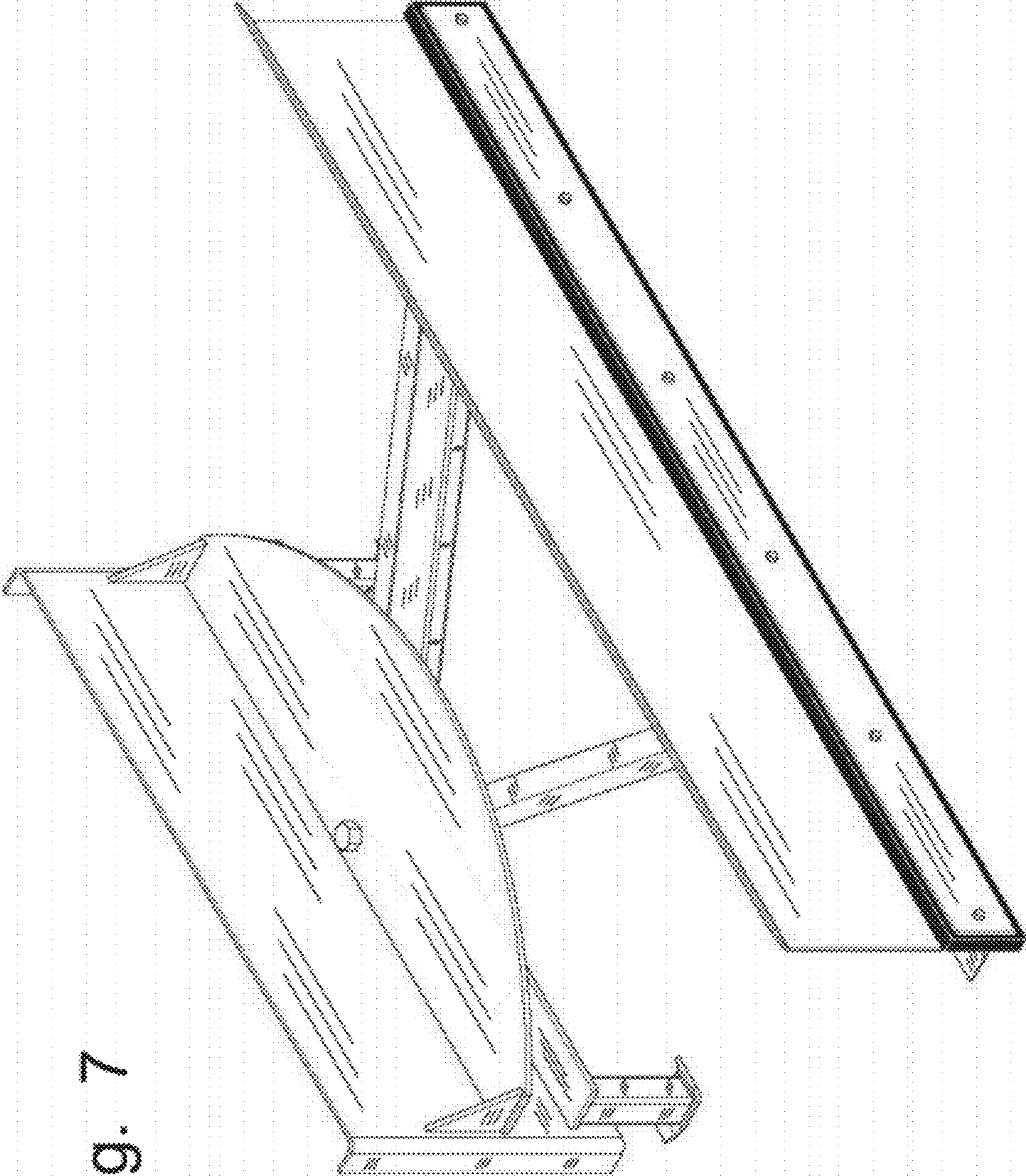


Fig. 7

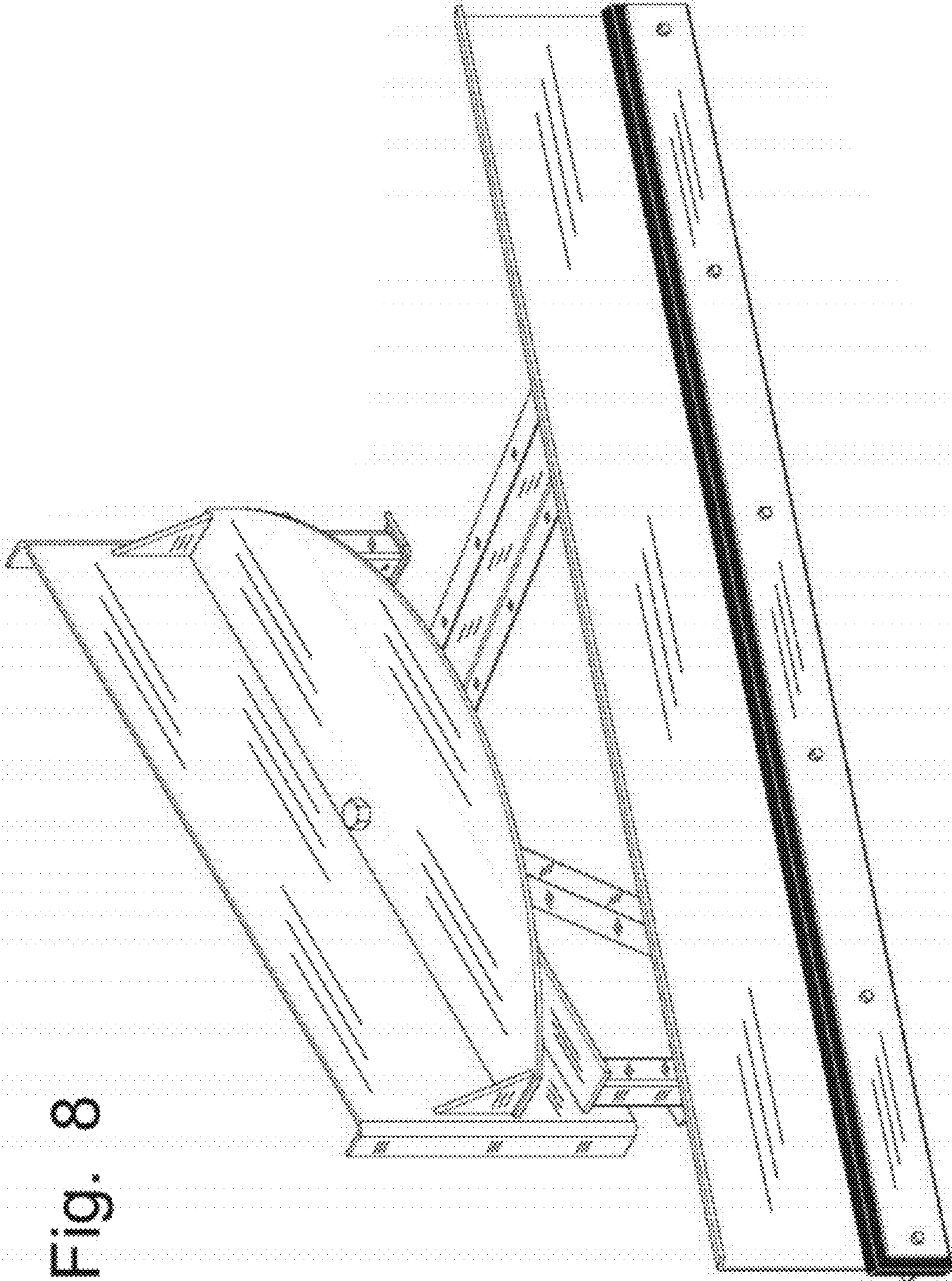


Fig. 8

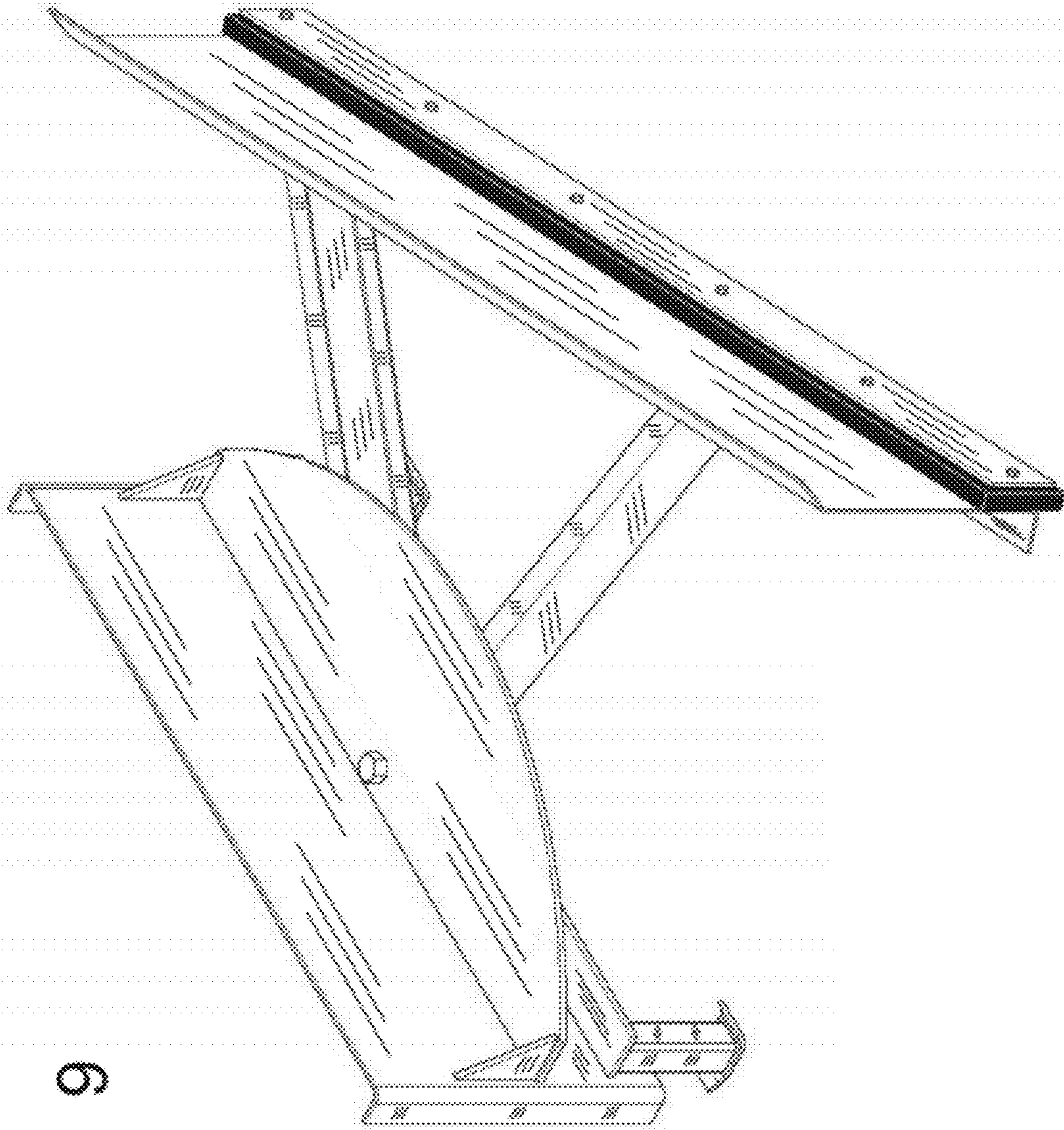


Fig. 9