



US00D672368S

(12) **United States Design Patent**  
**Wong**

(10) **Patent No.:** **US D672,368 S**

(45) **Date of Patent:** **\*\* Dec. 11, 2012**

(54) **AIR COMPRESSOR**

(75) Inventor: **Wai Kan Wong**, Hong Kong (HK)

(73) Assignee: **He Chao Electrical Appliances**  
**(Shanghai) Co., Ltd**, Shanghai (CN)

(\*\*) Term: **14 Years**

(21) Appl. No.: **29/408,923**

(22) Filed: **Dec. 19, 2011**

(51) **LOC (9) Cl.** ..... **15-02**

(52) **U.S. Cl.** ..... **D15/9**

(58) **Field of Classification Search** ..... D15/7-9;  
D23/231, 232, 225; 417/60, 235, 265, 321,  
417/355, 358, 363, 359, 410.1, 415-416,  
417/405, 900; 60/408, 412; 184/26-37;  
415/140-147; 123/495, 509

See application file for complete search history.

(56) **References Cited**

**U.S. PATENT DOCUMENTS**

D498,243 S	*	11/2004	Chou	.....	D15/7
D498,767 S	*	11/2004	Chou	.....	D15/7
D499,426 S	*	12/2004	Chou	.....	D15/7
D507,581 S	*	7/2005	Wong	.....	D15/9
D626,571 S	*	11/2010	Eckhardt	.....	D15/9
D627,795 S	*	11/2010	Eckhardt	.....	D15/9

D627,796 S	*	11/2010	Eckhardt	.....	D15/9
D629,424 S	*	12/2010	Eckhardt	.....	D15/9
D644,252 S	*	8/2011	Kojima	.....	D15/9

\* cited by examiner

*Primary Examiner* — Ralf Seifert

(74) *Attorney, Agent, or Firm* — Brown & Michaels, PC

(57) **CLAIM**

The ornamental design for an air compressor, as shown and described.

**DESCRIPTION**

FIG. 1 is a perspective view of the air compressor of the present invention.

FIG. 2 is a front view of the air compressor.

FIG. 3 is a top view of the air compressor.

FIG. 4 is a bottom view of the air compressor.

FIG. 5 is a back view of the air compressor.

FIG. 6 is a side view of the air compressor; and,

FIG. 7 is a side view of the air compressor, showing the opposite side from FIG. 6.

The broken lines in FIG. 5 are included for the purpose of illustrating portions of the air compressor that form no part of the claimed design.

**1 Claim, 4 Drawing Sheets**

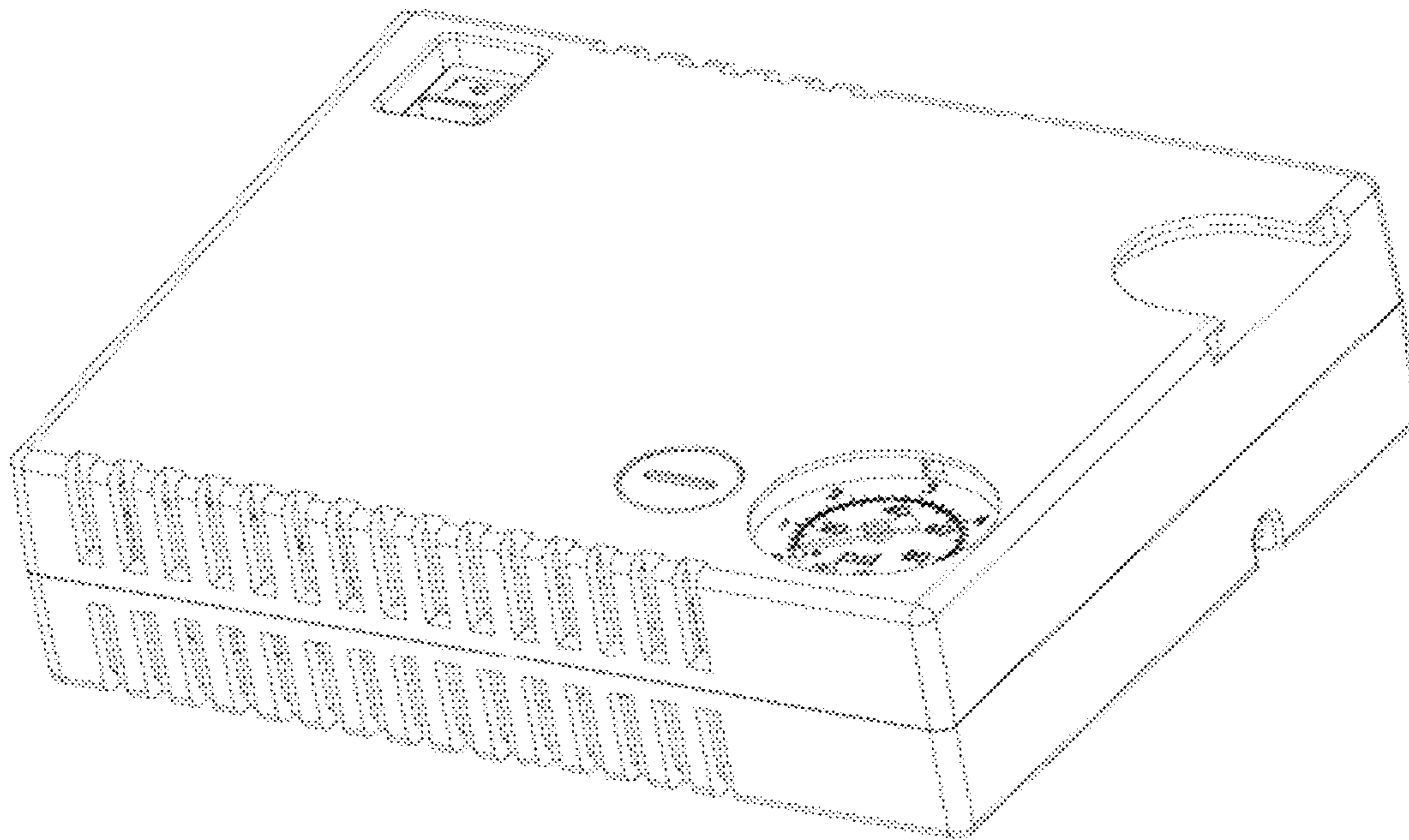


Fig. 1

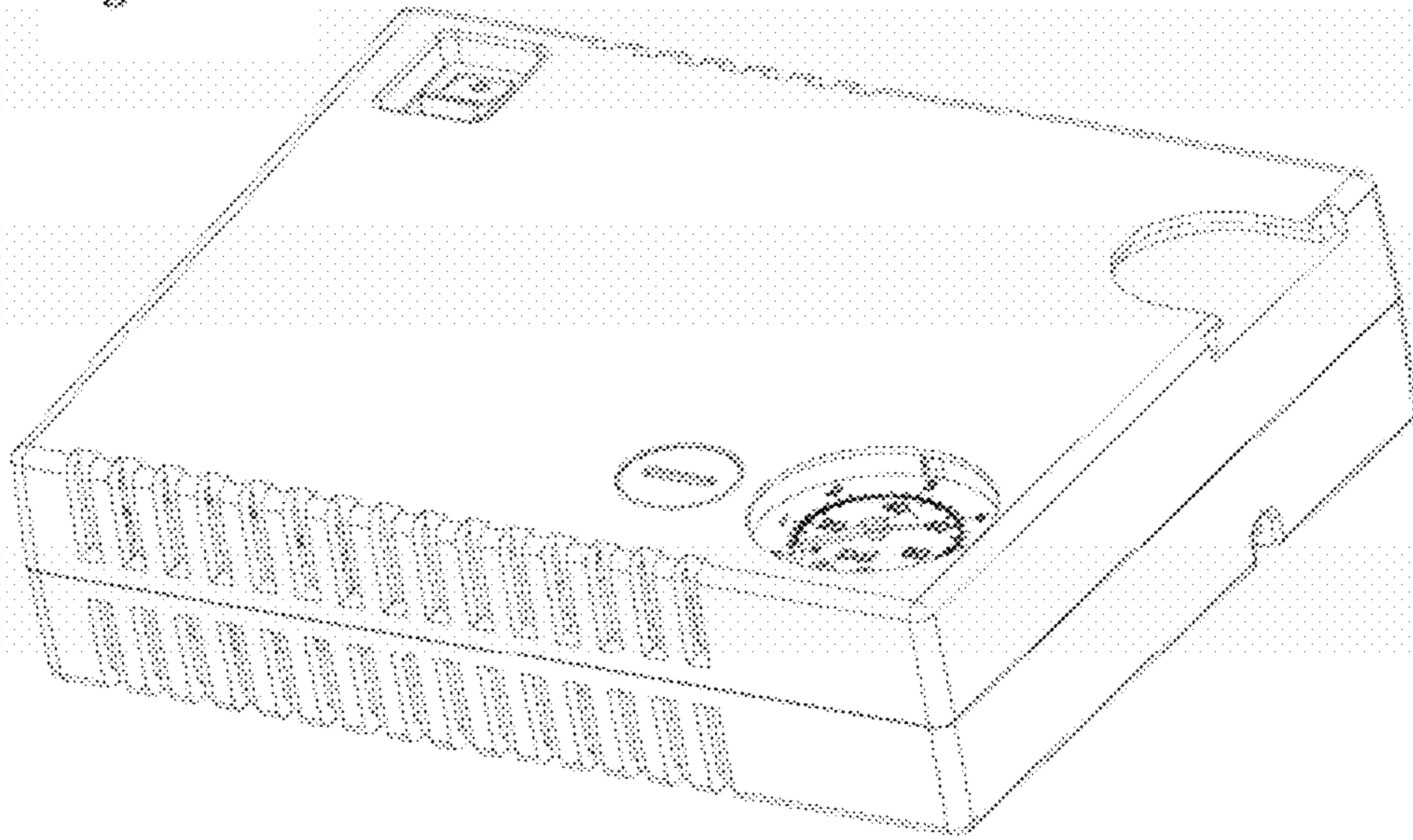


Fig. 2

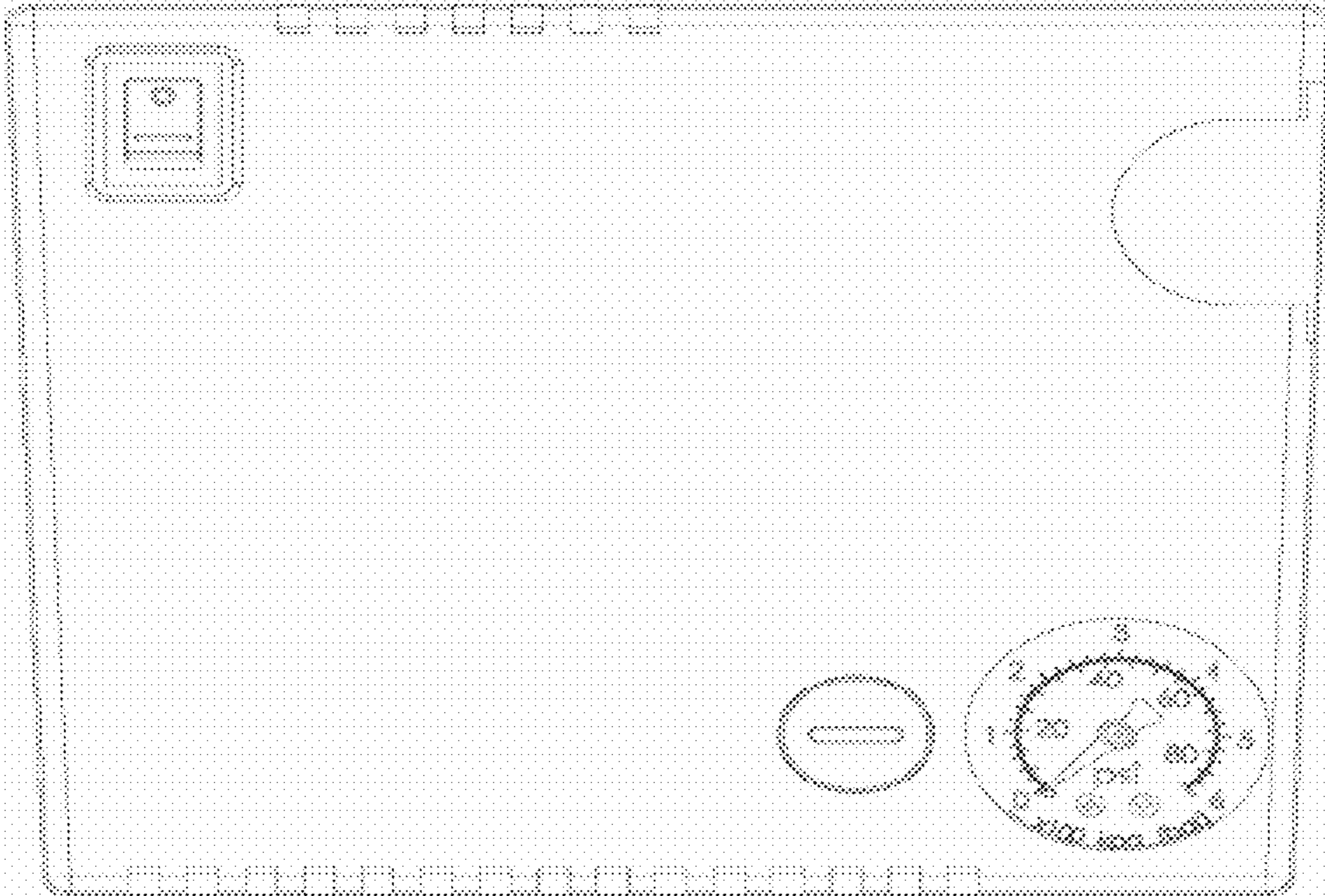


Fig. 3

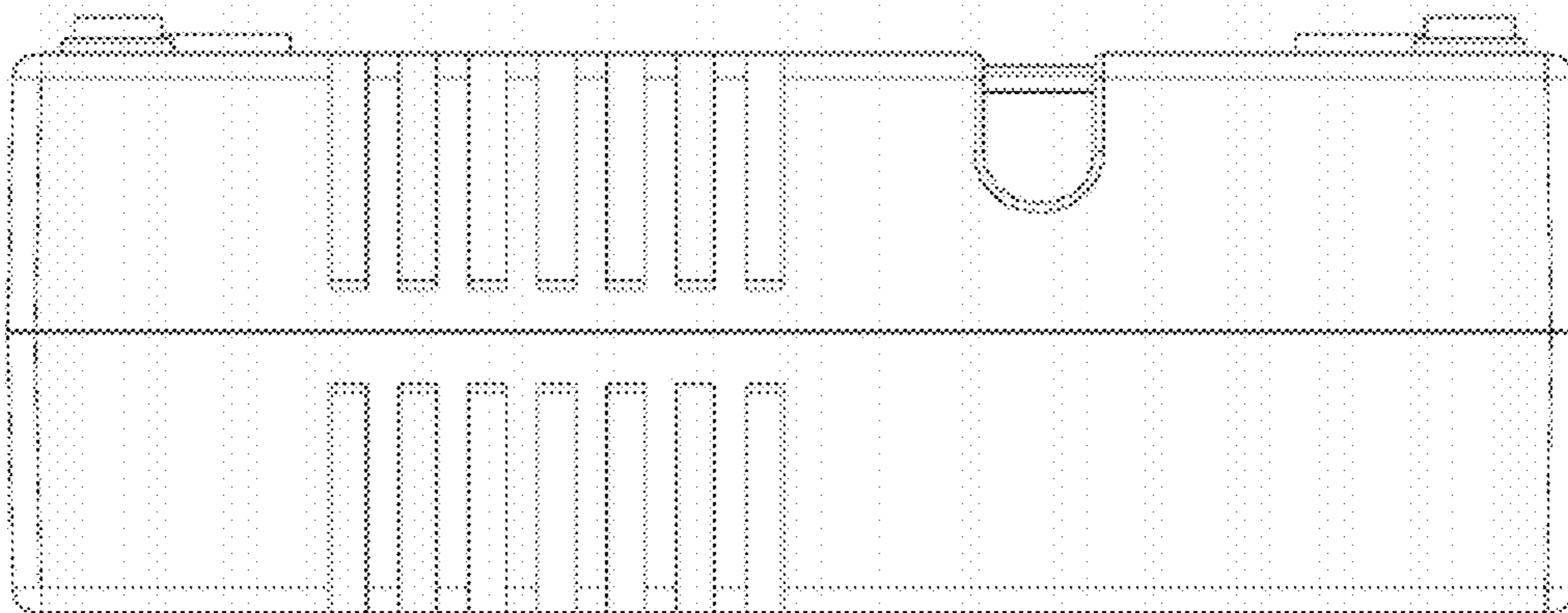


Fig. 4

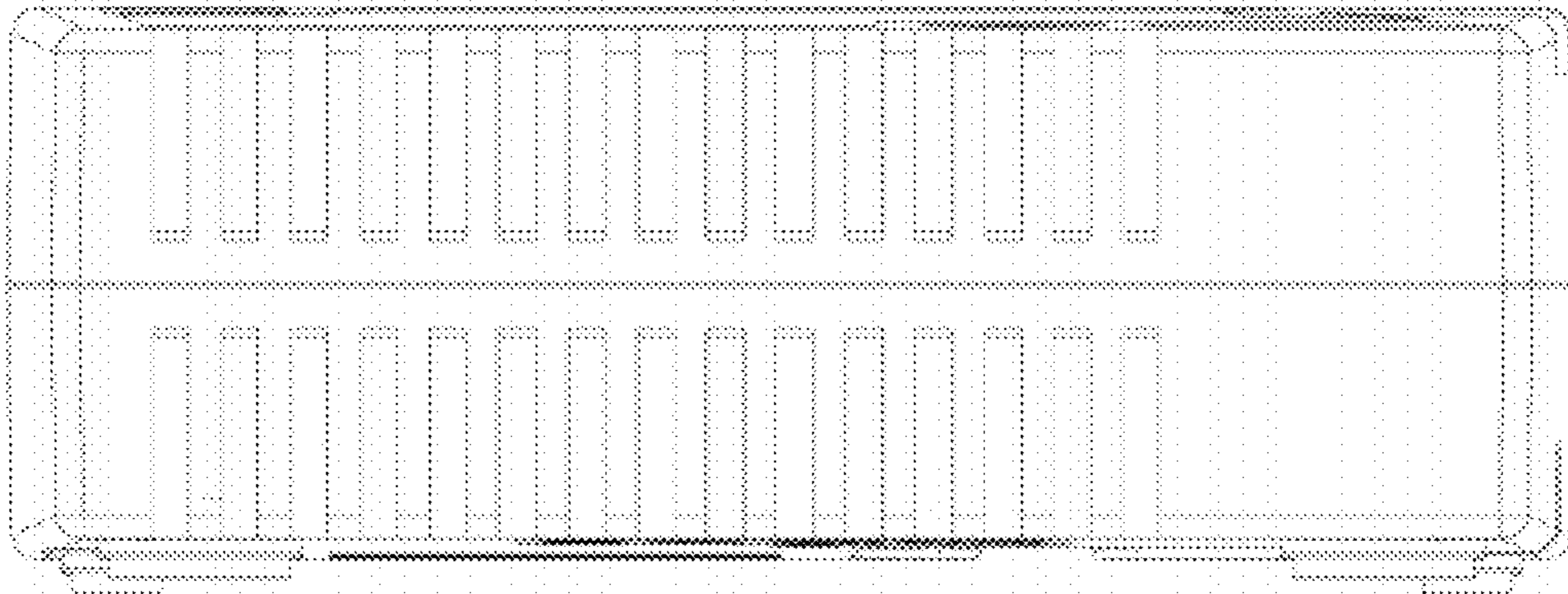
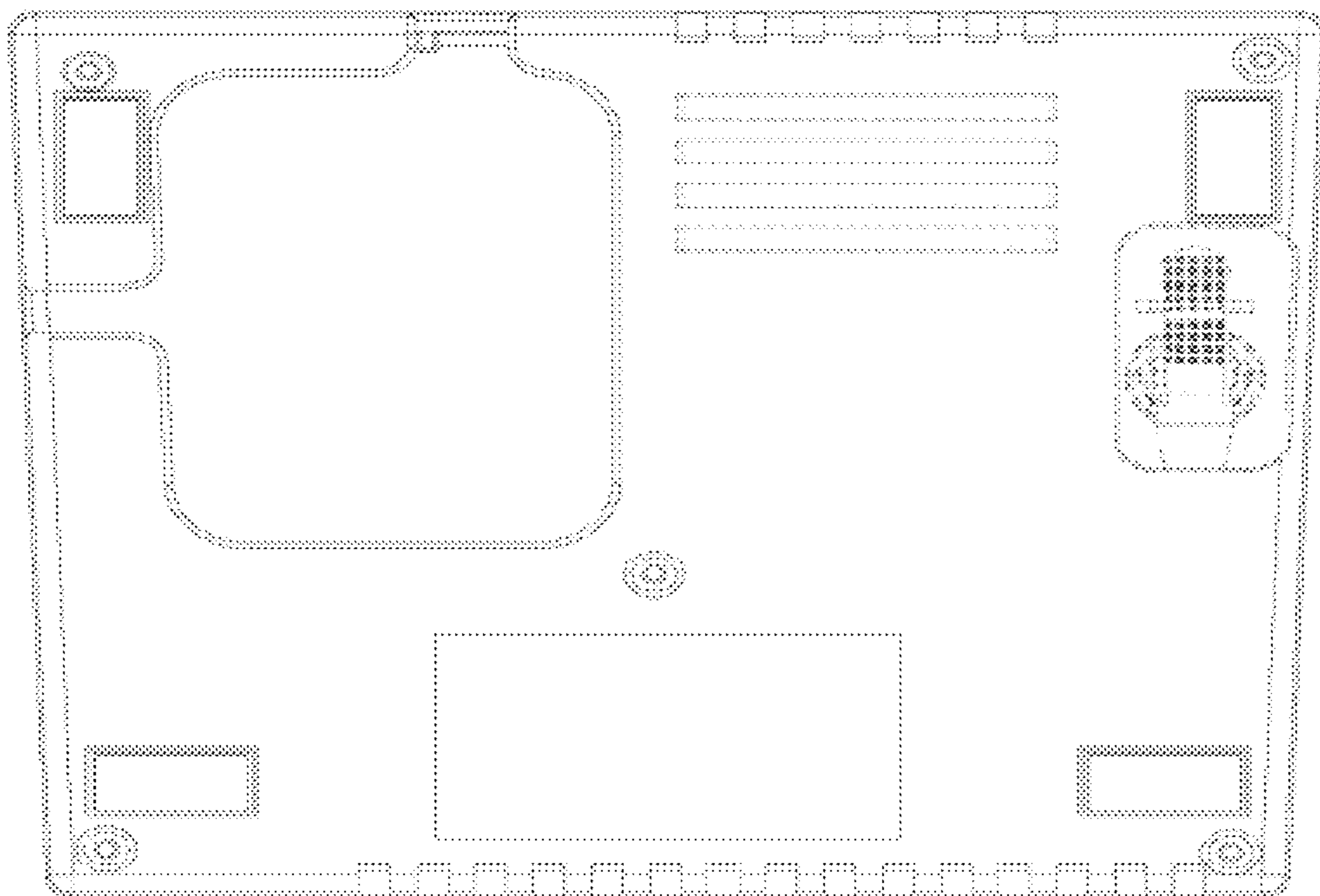
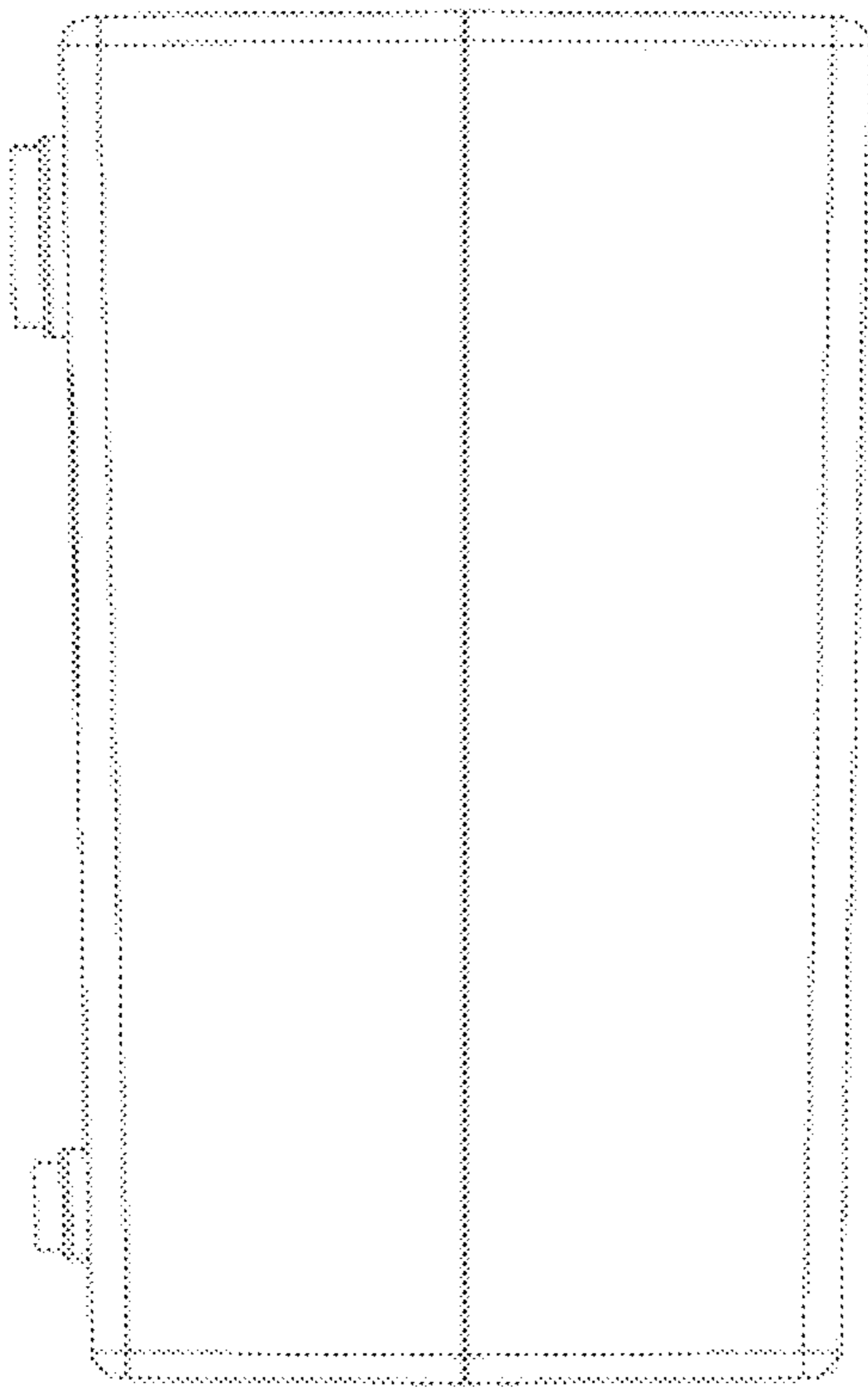


Fig. 5



**Fig. 6**



**Fig. 7**

