



US00D672367S

(12) **United States Design Patent**
Stansbury et al.

(10) **Patent No.:** **US D672,367 S**

(45) **Date of Patent:** **** Dec. 11, 2012**

(54) **INFLATOR**

(56) **References Cited**

(75) Inventors: **Ethan T. Stansbury**, Tustin, CA (US);
Brandt A. Haener, Los Osos, CA (US);
Brendan P. Kelso, Atascadero, CA (US);
Bryan D. Smith, Arroyo Grande, CA
(US); **Bria R. Dicicco**, San Luis Obispo,
CA (US)

U.S. PATENT DOCUMENTS

D609,634	S	*	2/2010	Daniels et al.	D13/107
D624,492	S	*	9/2010	Daniels et al.	D13/107
D624,493	S	*	9/2010	Daniels et al.	D13/107
D624,876	S	*	10/2010	Daniels et al.	D13/107
D624,877	S	*	10/2010	Daniels et al.	D13/107
D649,163	S	*	11/2011	Moormann et al.	D15/7

* cited by examiner

(73) Assignee: **Illinois Tool Works Inc.**, Glenview, IL
(US)

Primary Examiner — Ralf Seifert

(74) *Attorney, Agent, or Firm* — Pauley Petersen & Erickson

(**) Term: **14 Years**

(57) **CLAIM**

The ornamental design for an inflator, as shown and described.

DESCRIPTION

(21) Appl. No.: **29/405,257**

FIG. 1 is a front perspective view of an inflator.
FIG. 2 is a top view of the inflator shown in FIG. 1.
FIG. 3 is a front view of the inflator shown in FIG. 1.
FIG. 4 is a right side view of the inflator shown in FIG. 1.
FIG. 5 is a left side view of the inflator shown in FIG. 1.
FIG. 6 is a bottom view of the inflator shown in FIG. 1; and,
FIG. 7 is a rear view of the inflator shown in FIG. 1.
The broken lines in FIG. 4 are included for the purpose of illustrating portions of the inflator that form no part of the claimed design.

(22) Filed: **Oct. 31, 2011**

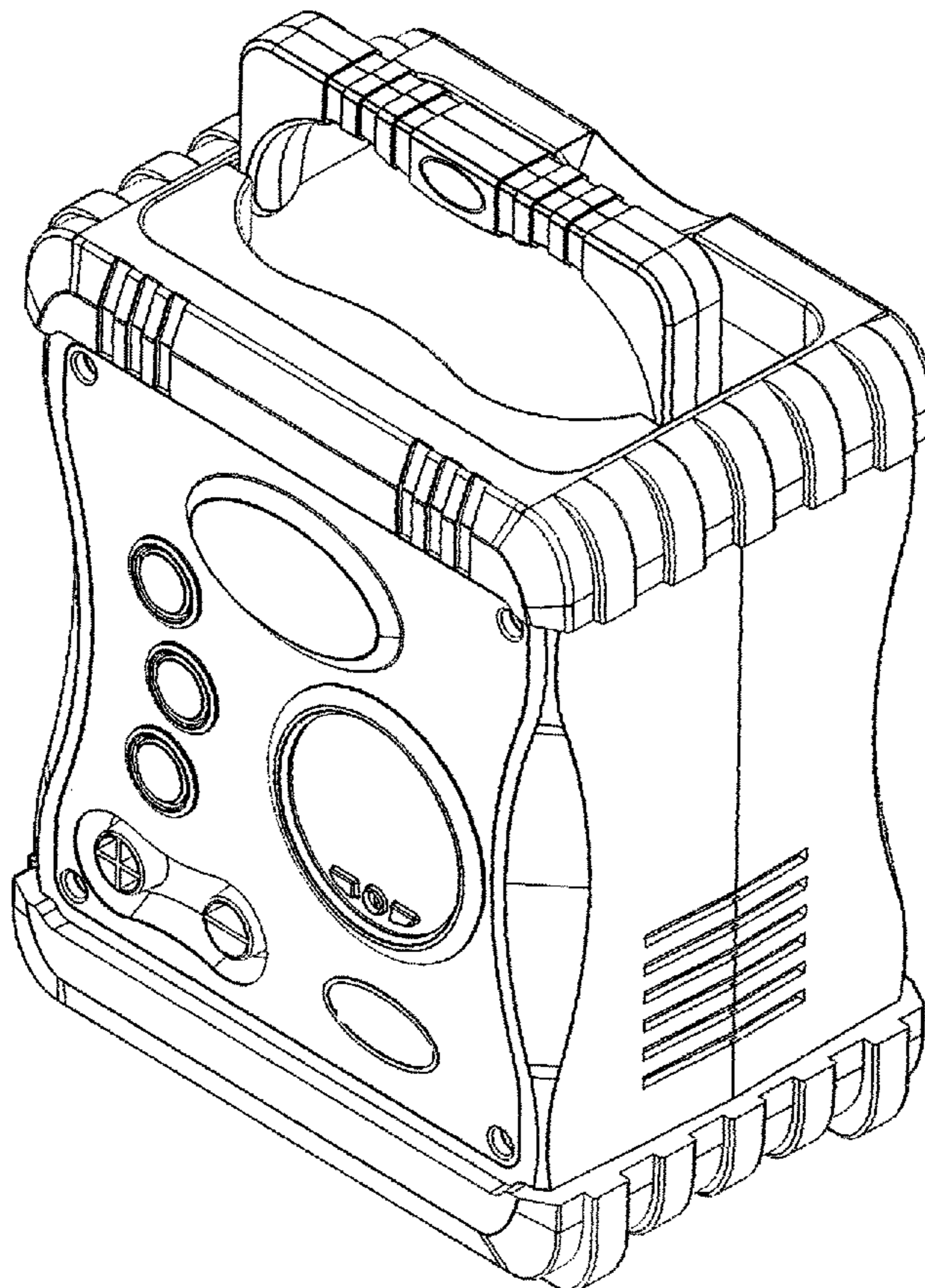
(51) **LOC (9) Cl.** **15-02**

(52) **U.S. Cl.** **D15/7**

(58) **Field of Classification Search** D15/7-9;
D23/231, 232, 225; 417/60, 235, 265, 321,
417/355, 358, 363, 359, 410.1, 415-416,
417/405, 900; 60/408, 412; 184/26-37;
415/140-147; 123/495, 509

See application file for complete search history.

1 Claim, 4 Drawing Sheets



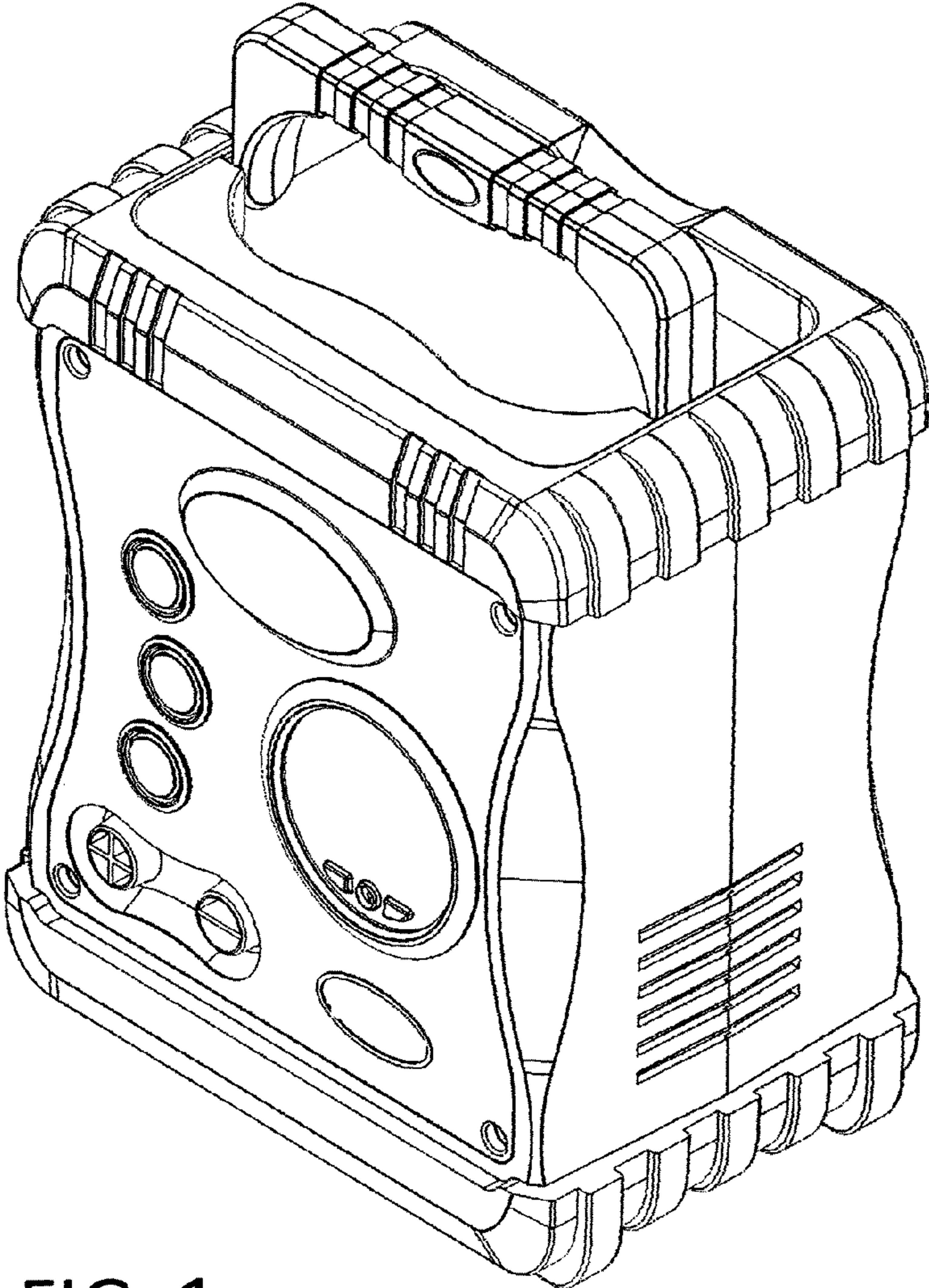


FIG. 1

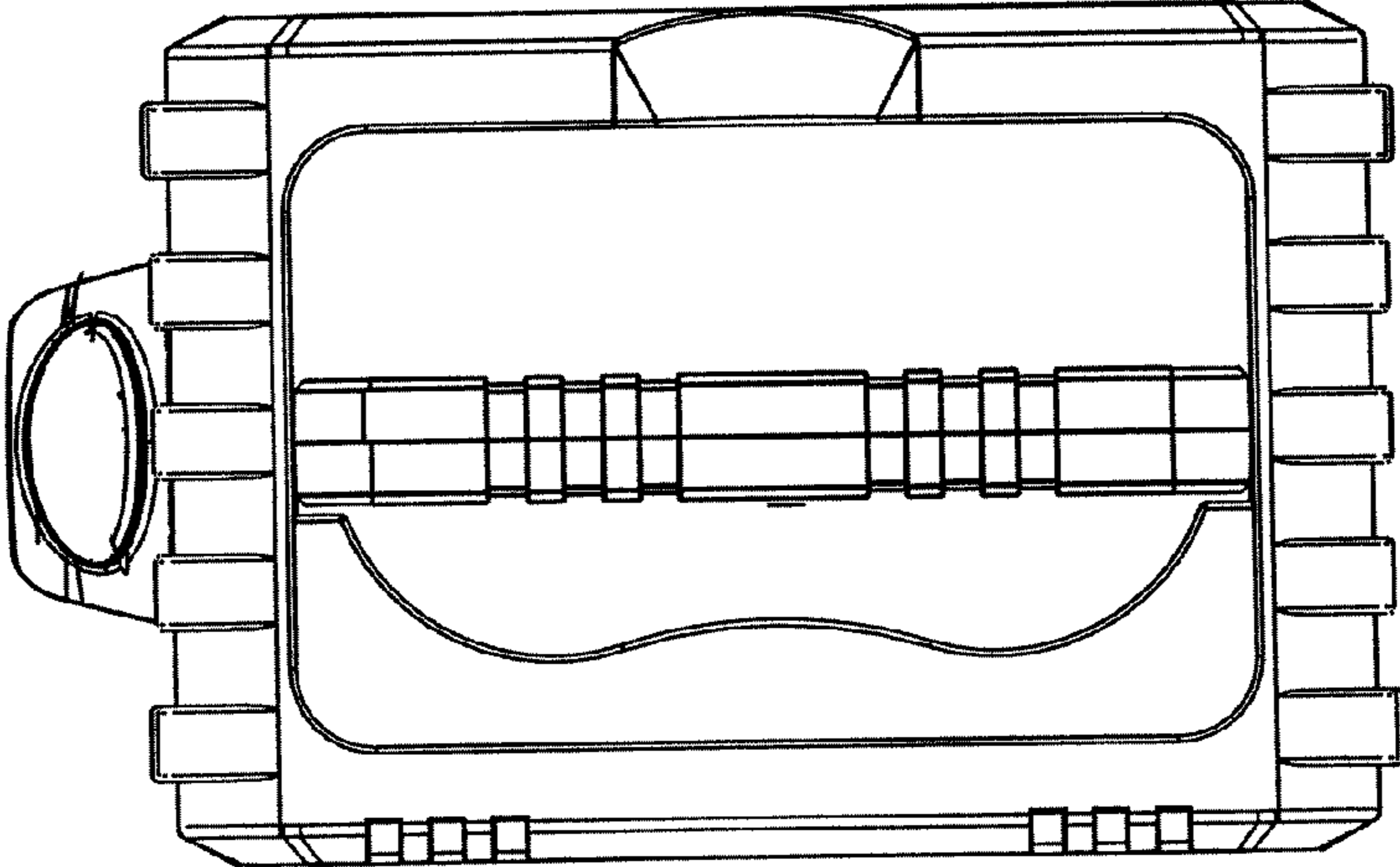


FIG. 2

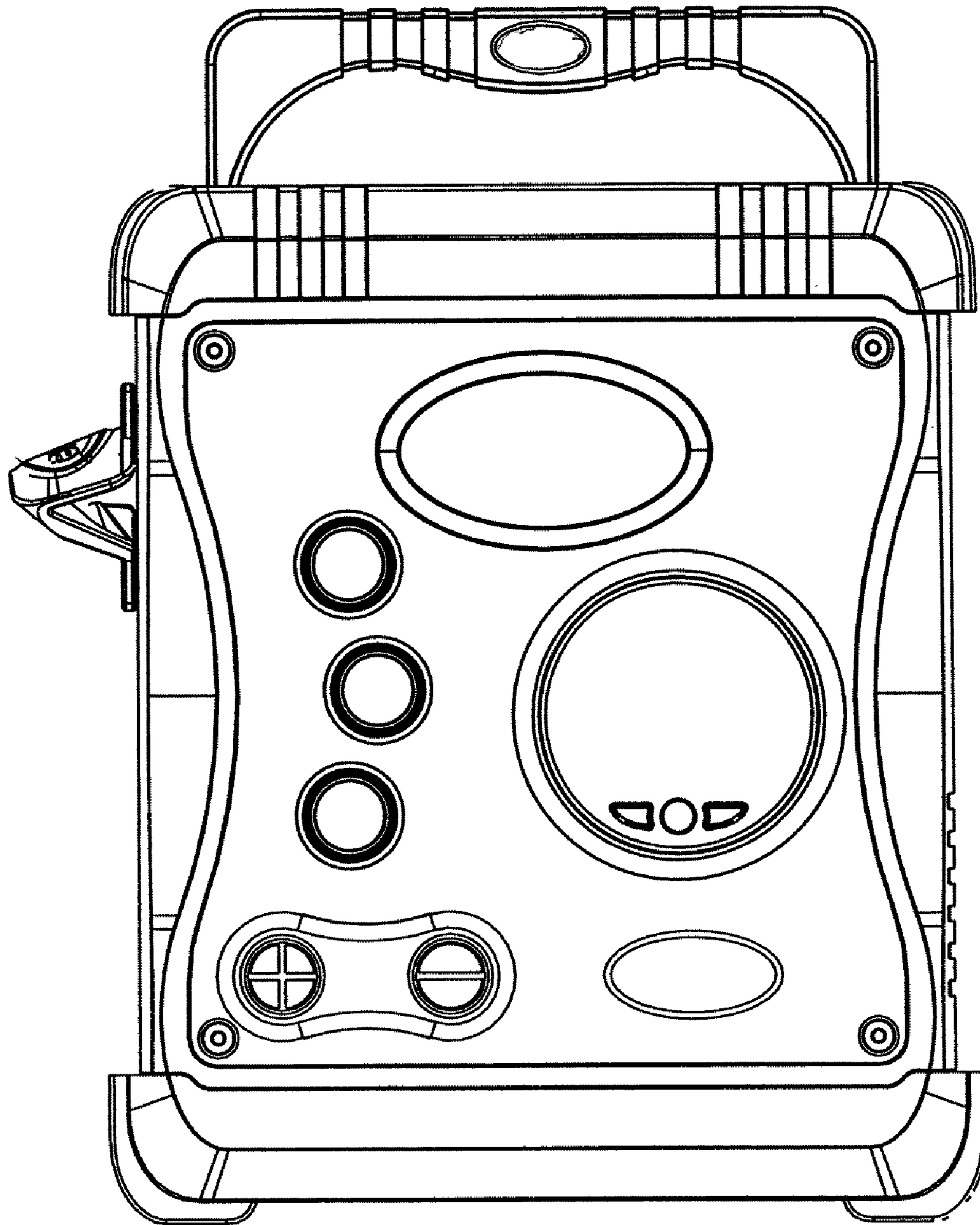


FIG. 3

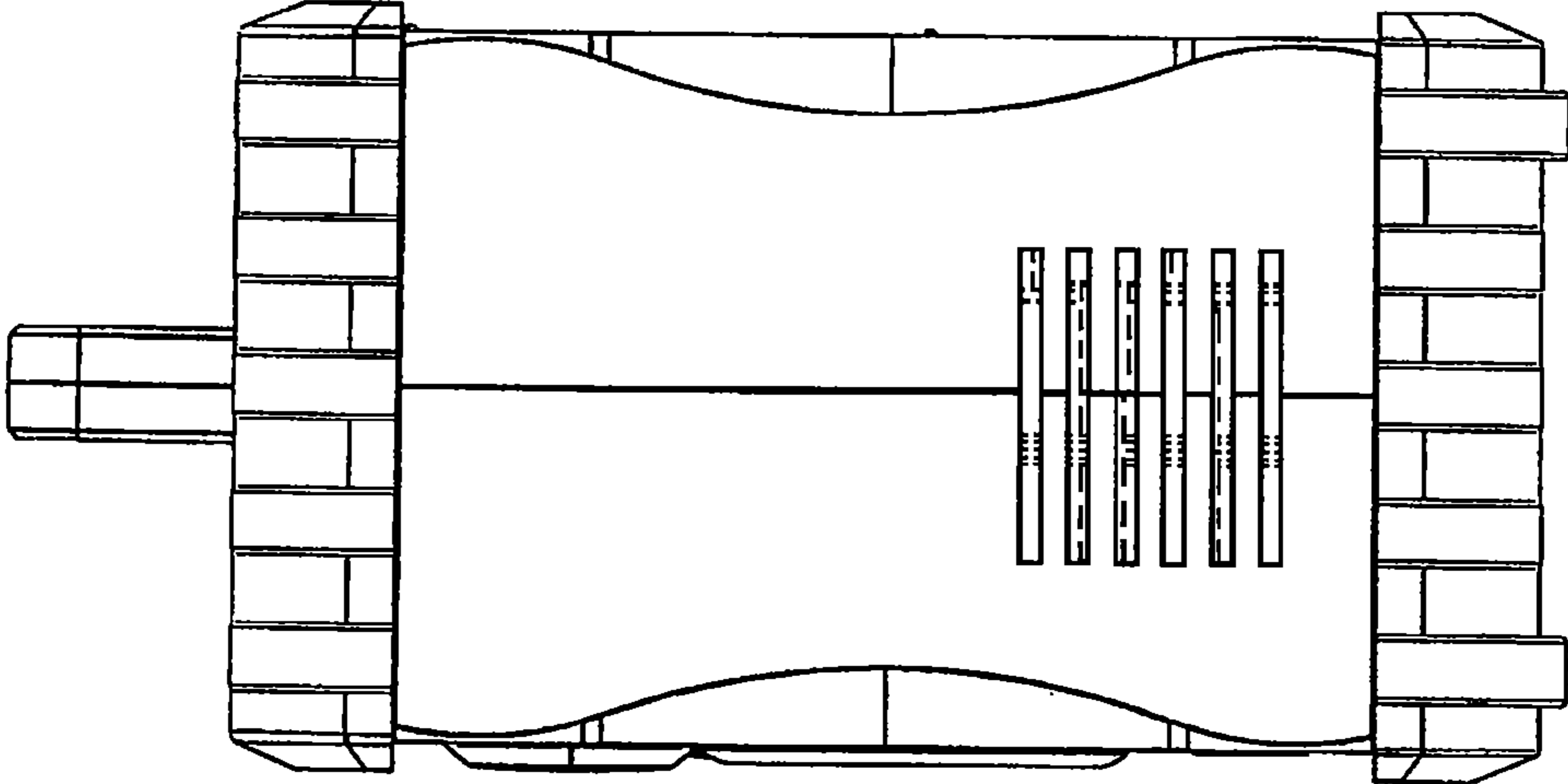


FIG. 4

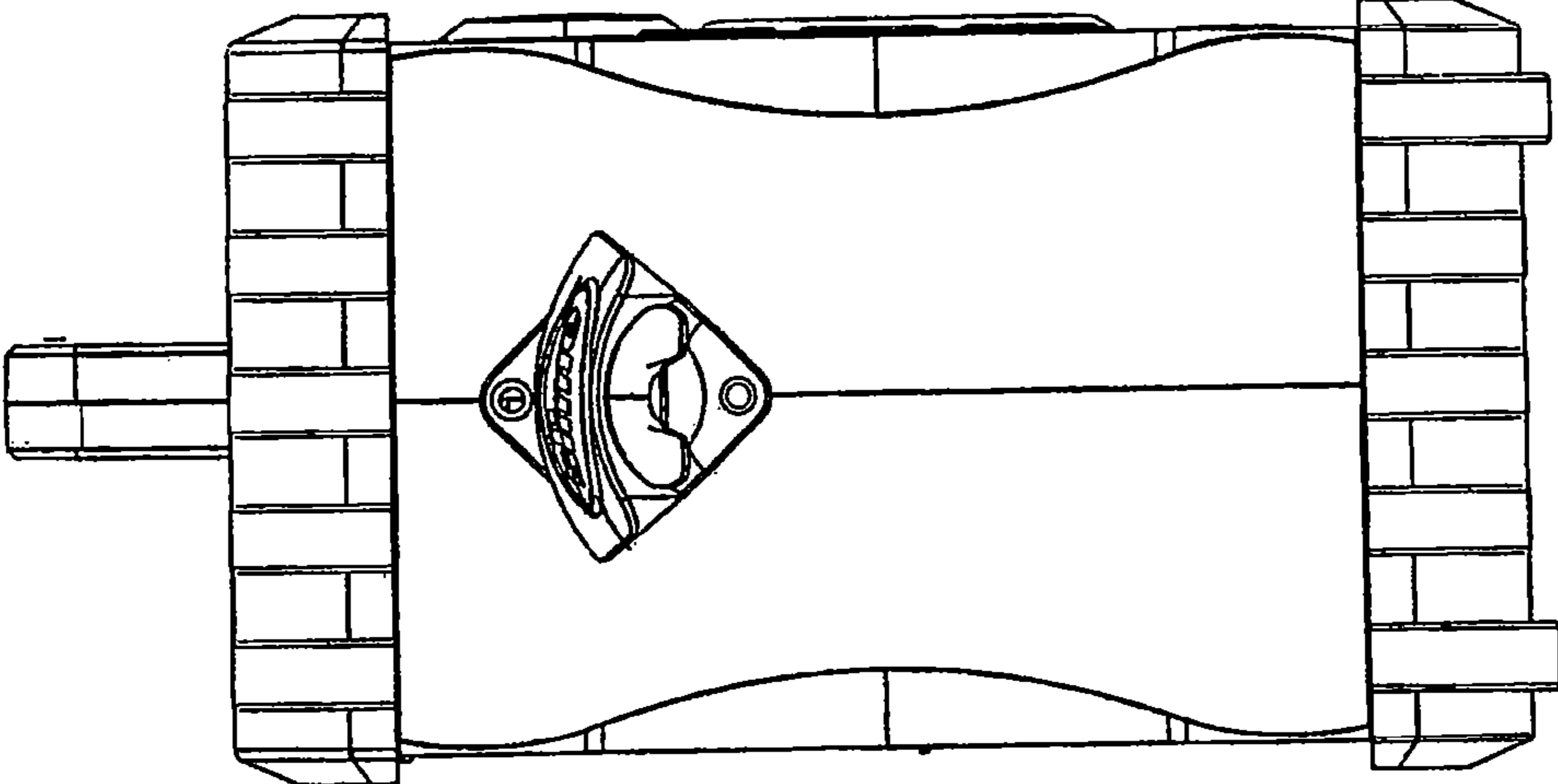


FIG. 5

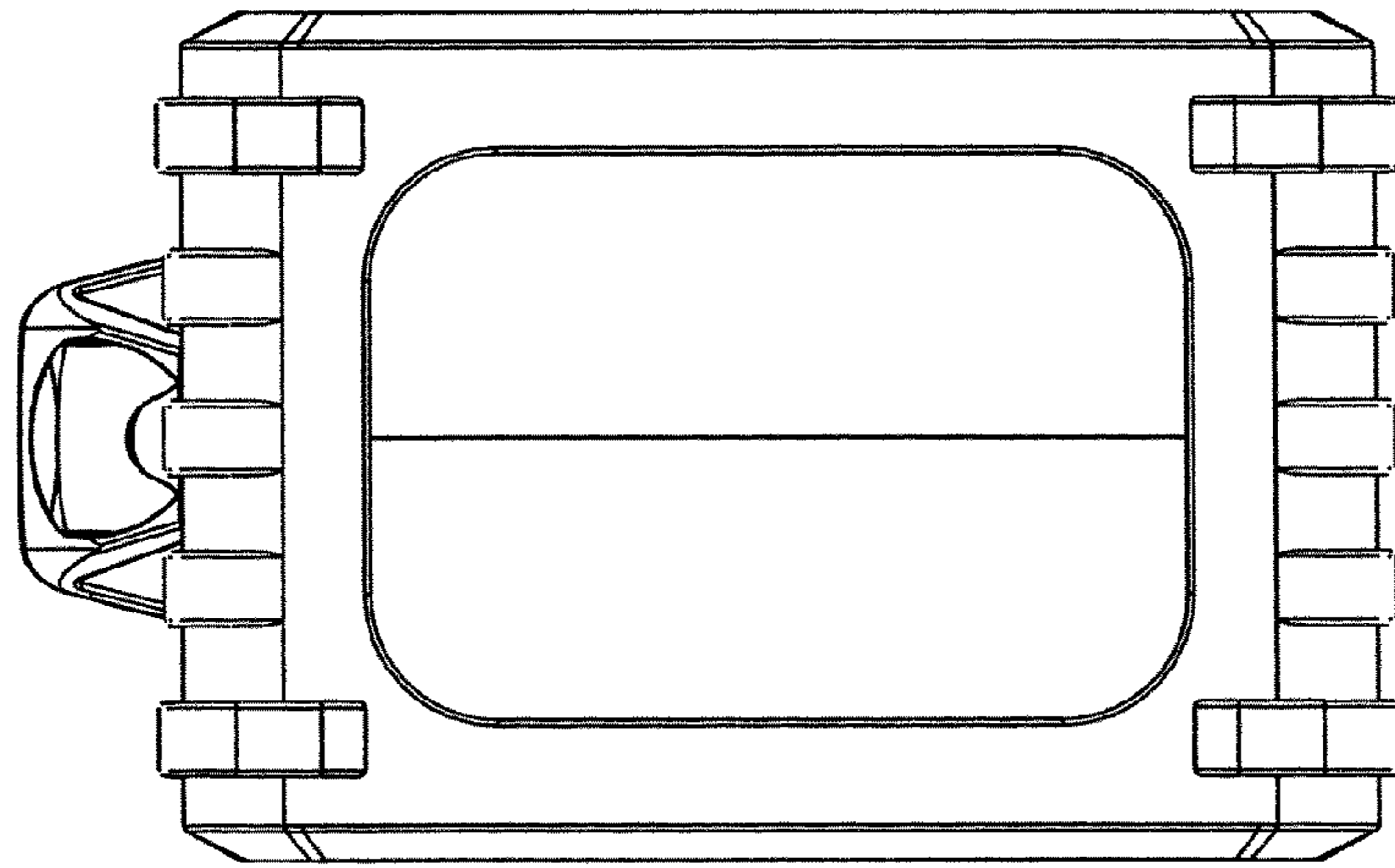


FIG. 6

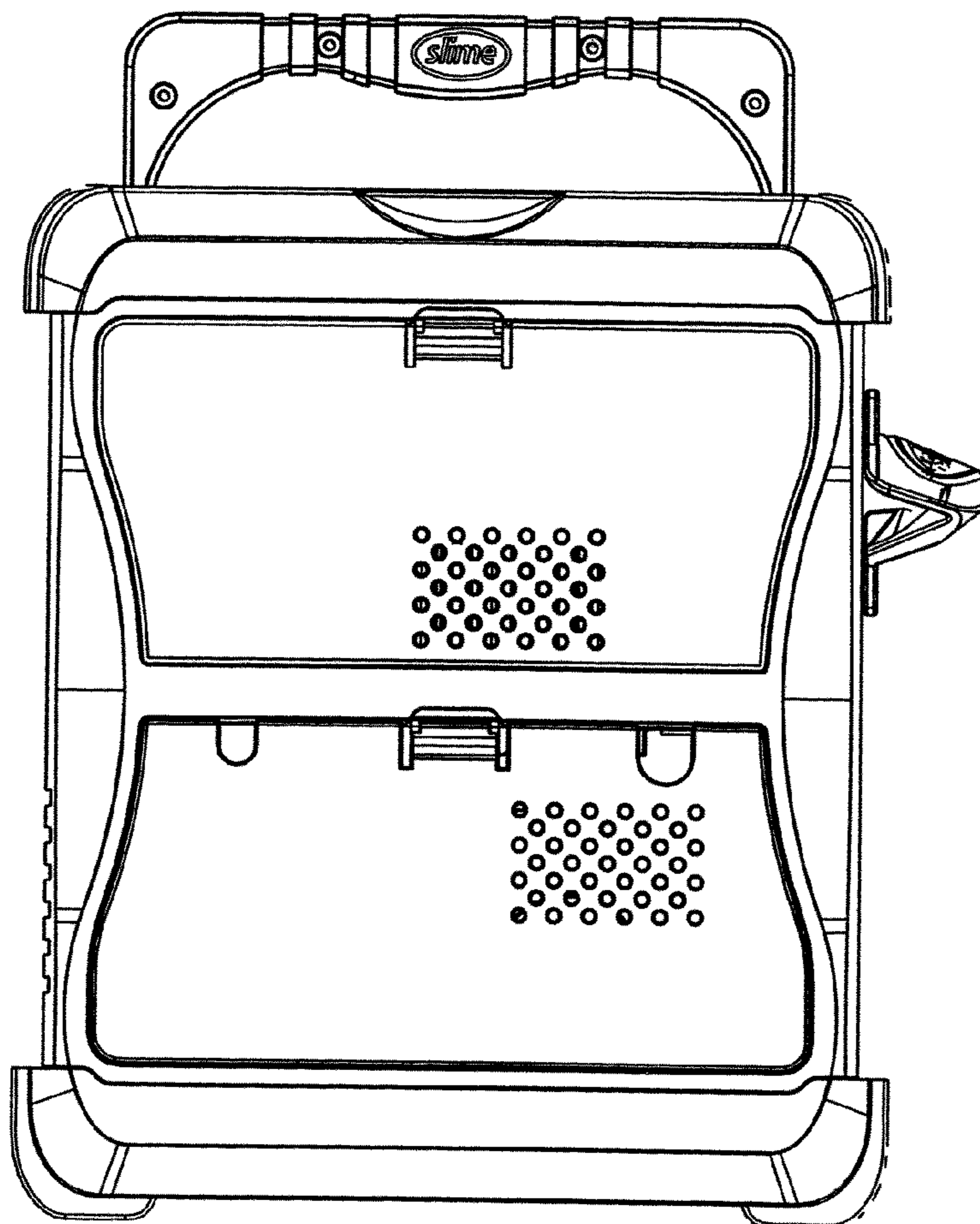


FIG. 7