



US00D672355S

(12) **United States Design Patent**
Lee et al.

(10) **Patent No.:** **US D672,355 S**
(45) **Date of Patent:** **** Dec. 11, 2012**

(54) **CRADLE FOR TABLET COMPUTER**

(75) Inventors: **EunuaeShally Lee**, Seoul (KR);
Tai-Hyung Ju, Seoul (KR); **Sang-Sung Woo**, Seoul (KR); **So-Yoon Jeon**, Seoul (KR); **Bum-Ho Chun**, Seoul (KR); **Ji-Hee Kwak**, Seoul (KR); **Kil-Hyun Baek**, Seoul (KR)

(73) Assignee: **Samsung Electronics Co., Ltd.**, Suwon (KR)

(**) Term: **14 Years**

(21) Appl. No.: **29/407,989**

(22) Filed: **Dec. 6, 2011**

(30) **Foreign Application Priority Data**

Sep. 21, 2011 (KR) 30-2011-0039094

(51) **LOC (9) Cl.** **08-07**

(52) **U.S. Cl.** **D14/447**

(58) **Field of Classification Search** D14/447,
D14/432, 434, 433, 439, 440, 448, 451, 452,
D14/457, 460, 217, 239, 238.1, 250, 251,
D14/253; D13/107, 108; D3/218; D6/406.1,
D6/406.3, 406.4, 406.5, 406.6, 419, 420,
D6/429; 361/679.02, 679.09, 679.19, 679.21,
361/679.22, 679.23, 679.26, 679.27, 679.3,
361/679.55, 679.56, 679.6; 248/917-924,
248/136, 150, 152, 153, 371, 166, 176.1,
248/176.3, 188.6, 676, 678, 441.1, 444.1,
248/447, 447.1, 447.2, 451, 454, 455, 456,
248/460, 463, 465.1

See application file for complete search history.

(56) **References Cited**

U.S. PATENT DOCUMENTS

D284,084 S 6/1986 Ferrara, Jr.
D306,583 S 3/1990 Krolopp et al.
D333,574 S 3/1993 Ackeret
D337,569 S 7/1993 Kando

D495,336 S * 8/2004 Andre et al. D14/434
D500,991 S 1/2005 Niitsu
D504,889 S 5/2005 Andre et al.
D532,005 S * 11/2006 Leith D14/253
D532,791 S 11/2006 Kim
D563,804 S 3/2008 Kimura et al.
D579,930 S 11/2008 Maskatia
D580,856 S * 11/2008 Haspil et al. D13/108
D582,900 S * 12/2008 Lichfield D14/224
D584,738 S 1/2009 Kim et al.
D590,374 S 4/2009 Madonna et al.
D592,214 S 5/2009 Bradford
D596,160 S * 7/2009 Andre et al. D14/217
D598,920 S * 8/2009 Fujino et al. D14/447

(Continued)

FOREIGN PATENT DOCUMENTS

KR 3005985190000 5/2011

(Continued)

OTHER PUBLICATIONS

U.S. Appl. No. 29/390,463, Applicant: Kim, et al., filed Apr. 25, 2011 entitled Tablet Computer.

(Continued)

Primary Examiner — Angela J Lee

(74) *Attorney, Agent, or Firm* — Wood, Herron & Evans, LLP

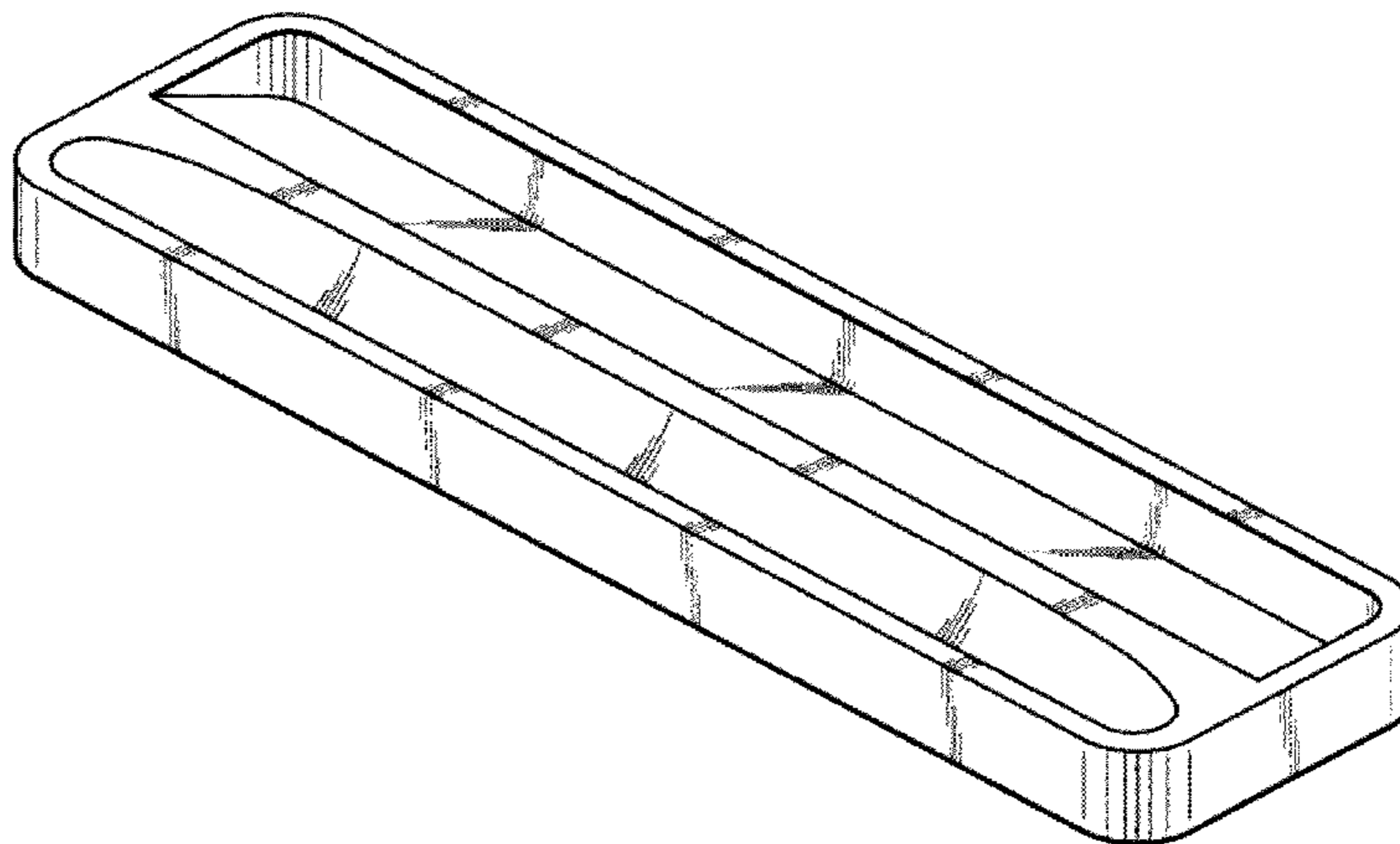
(57) **CLAIM**

The ornamental design for cradle for tablet computer, as shown and described.

DESCRIPTION

FIG. 1 is a top front perspective view of cradle for tablet computer showing our new design; FIG. 2 is a front elevational view thereof; FIG. 3 is a rear elevational view thereof; FIG. 4 is a left side elevational view thereof; FIG. 5 is a right side elevational view thereof; FIG. 6 is a top plan view thereof; and, FIG. 7 is a bottom plan view thereof.

1 Claim, 2 Drawing Sheets



U.S. PATENT DOCUMENTS

D602,014 S 10/2009 Andre et al.
 D602,487 S 10/2009 Maskatia
 D605,626 S 12/2009 Park
 D610,582 S 2/2010 Sugitani et al.
 D611,364 S 3/2010 Lenz et al.
 D613,510 S 4/2010 Tzeng et al.
 D613,951 S 4/2010 Tang et al.
 D617,793 S 6/2010 Chiang et al.
 D622,270 S 8/2010 Andre et al.
 D627,667 S 11/2010 Lenz et al.
 D628,913 S 12/2010 Cheng
 D629,799 S 12/2010 Andre et al.
 D638,831 S * 5/2011 Paradise D14/253
 D640,255 S 6/2011 Lee et al.
 D642,520 S * 8/2011 Chun et al. D13/108
 D642,979 S * 8/2011 Chun et al. D13/108
 D648,707 S * 11/2011 Akana et al. D14/217
 D656,930 S * 4/2012 Son D14/253
 D657,741 S * 4/2012 Fahrendorff et al. D13/108
 D661,309 S * 6/2012 Murrer et al. D14/447
 2009/0231292 A1 9/2009 Hsieh et al.

FOREIGN PATENT DOCUMENTS

KR 3005994750000 5/2011
 KR 3006004150000 6/2011
 KR 3006004300000 6/2011
 KR 3006046440000 7/2011

OTHER PUBLICATIONS

U.S. Appl. No. 29/390,464, Applicant: Kim, et al., filed Apr. 25, 2011, entitled Tablet Computer.
 U.S. Appl. No. 29/390,462, Applicant Kim et al, filed Apr. 25, 2011, entitled Tablet Computer.
 U.S. Appl. No. 29/405,537, Applicant Kim et al, filed Nov. 3, 2011, entitled Tablet Computer.
 U.S. Appl. No. 29/407,981, Applicant Chun et al, filed Dec. 6, 2011, entitled Cradle for Tablet Computer.
 U.S. Appl. No. 29/407,984, Applicant Jeon et al, filed Dec. 6, 2011, entitled Tablet Computer.
 U.S. Appl. No. 29/407,996, Applicant Jeon et al, filed Dec. 6, 2011, entitled Charger for Tablet Computer.
 U.S. Appl. No. 29/408,009, Applicant Song et al, filed Dec. 6, 2011, entitled Tablet Computer.
 U.S. Appl. No. 29/408,017, Applicant Song et al, filed Dec. 6, 2011, entitled Tablet Computer.
 U.S. Appl. No. 29/407,982, Applicant Lee et al, filed Dec. 6, 2011, entitled Tablet Computer.
 U.S. Appl. No. 29/407,975, Applicant Chun et al, filed Dec. 6, 2011, entitled Tablet Computer.

* cited by examiner

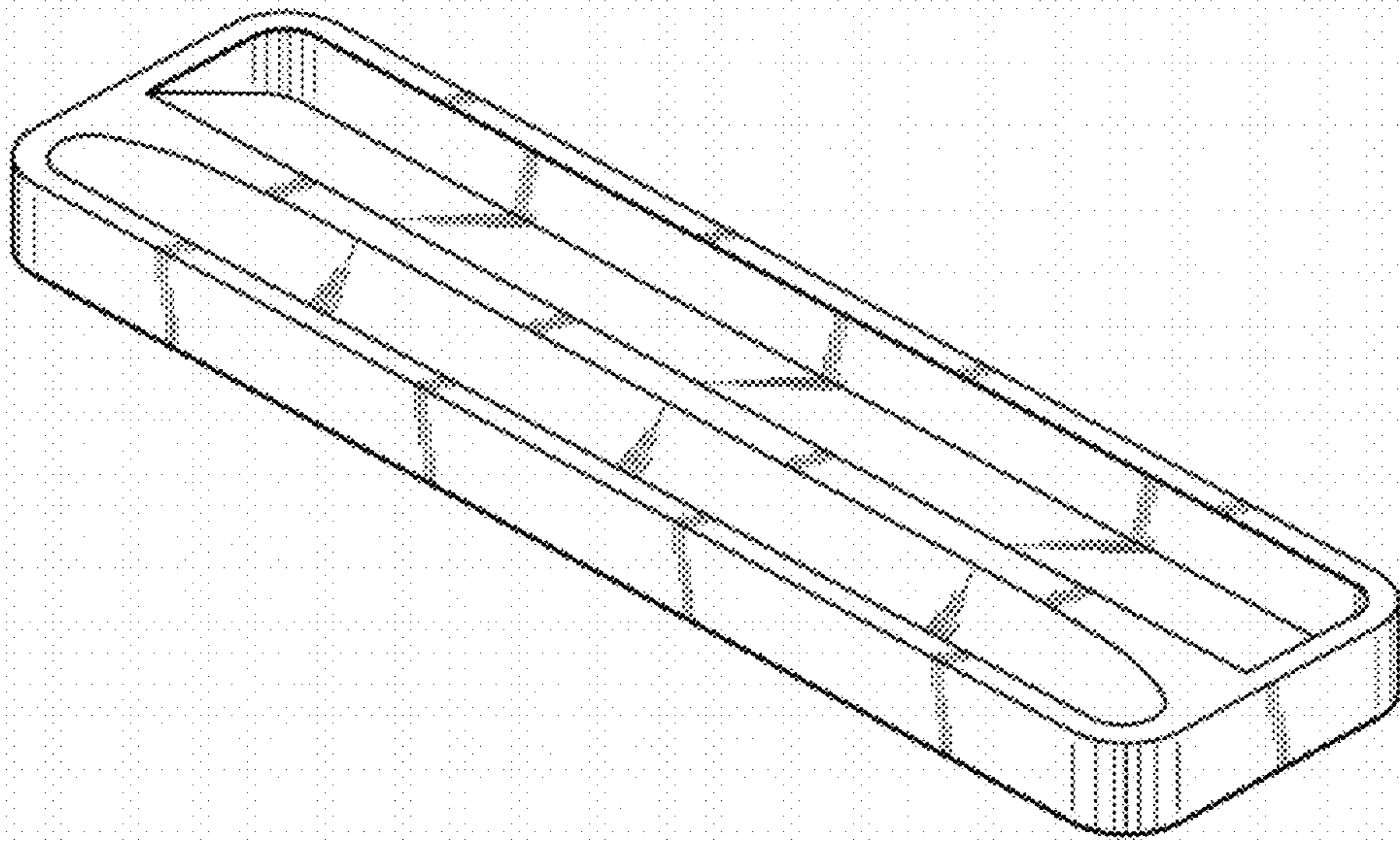


FIG. 1

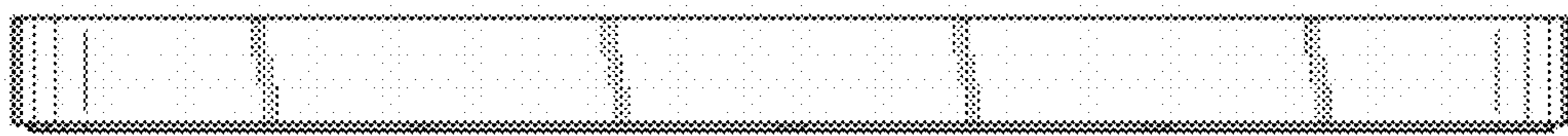


FIG. 2

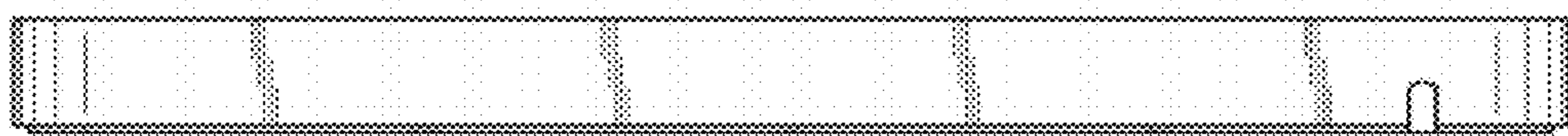


FIG. 3

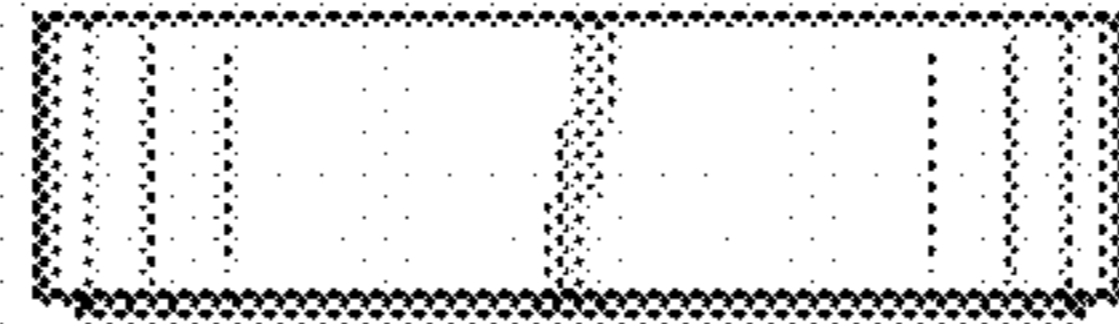


FIG. 4

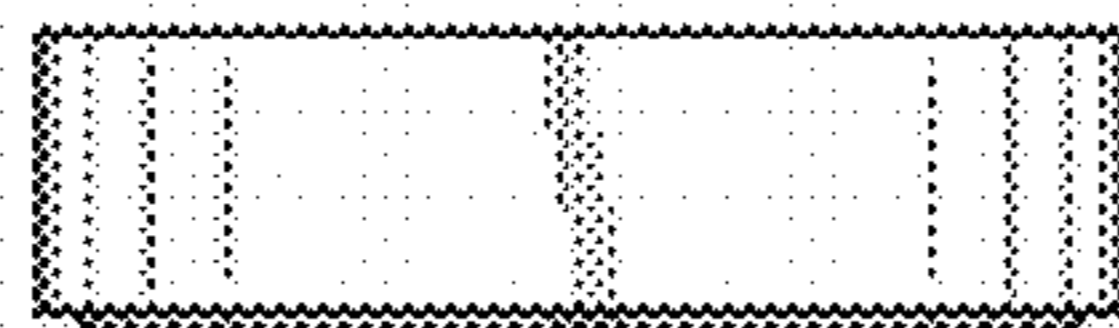


FIG. 5

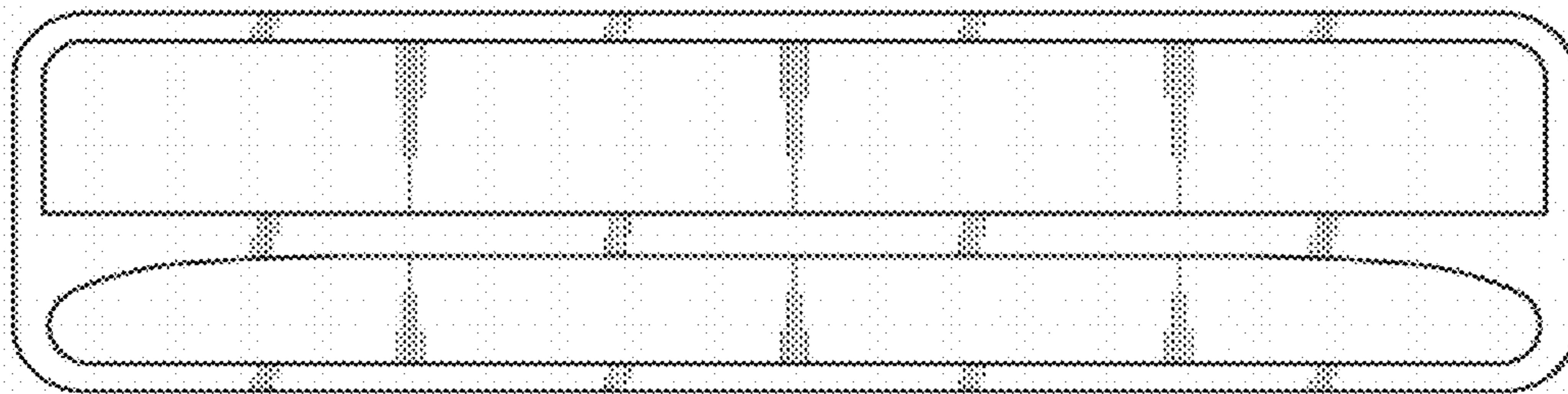


FIG. 6

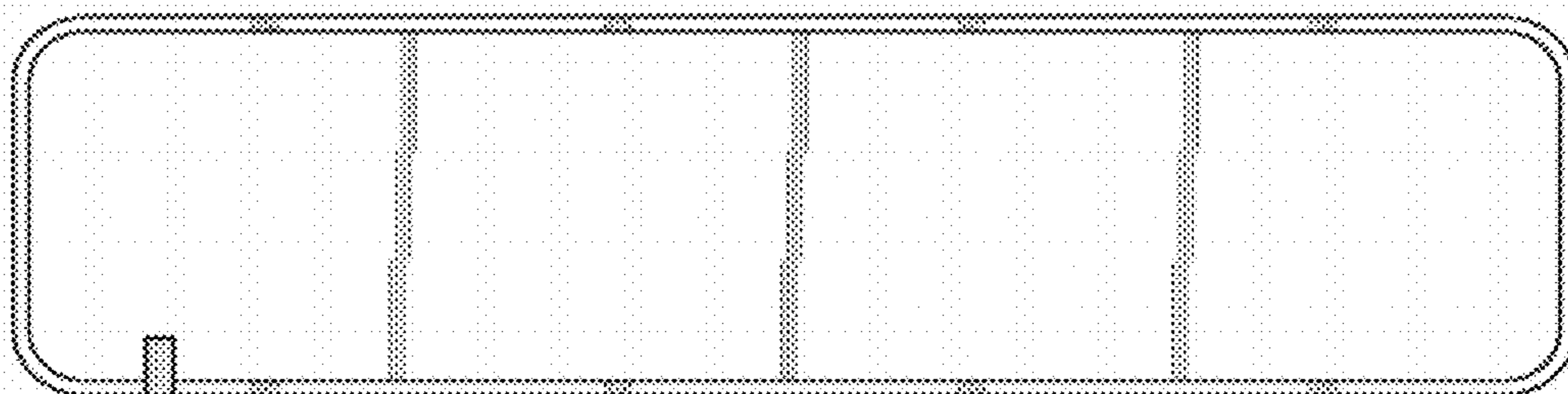


FIG. 7