



US00D672350S

(12) **United States Design Patent**
Gioscia et al.

(10) **Patent No.:** **US D672,350 S**

(45) **Date of Patent:** **** Dec. 11, 2012**

(54) **DOCK FOR A MOBILE COMPUTING
DEVICE**

(75) Inventors: **Richard Gioscia**, Santa Clara, CA (US);
Philip Bryan, San Francisco, CA (US)

(73) Assignee: **Hewlett-Packard Development
Company, L.P.**, Houston, TX (US)

(**) Term: **14 Years**

(21) Appl. No.: **29/409,950**

(22) Filed: **Dec. 30, 2011**

(51) **LOC (9) Cl.** **14-02**

(52) **U.S. Cl.** **D14/434**

(58) **Field of Classification Search** D14/432-434,
D14/314, 204, 420, 421, 217; D13/107,
D13/108, 146; D8/373; 248/346.03, 176.1;
361/679.14, 679.31, 679.32, 679.4, 679.41,
361/679.43, 697.55; 320/109, 112-115

See application file for complete search history.

(56) **References Cited**

U.S. PATENT DOCUMENTS

5,619,397 A * 4/1997 Honda et al. 361/679.43
D540,327 S * 4/2007 Wong et al. D14/434
D540,802 S * 4/2007 Hussaini et al. D14/434
D642,121 S * 7/2011 Lee et al. D13/108

D647,525 S * 10/2011 Seto D14/434
2007/0217145 A1 * 9/2007 Sung 361/686
2008/0219488 A1 * 9/2008 Crooijmans et al. 381/333
2010/0118485 A1 * 5/2010 Crooijmans et al. 361/679.43

* cited by examiner

Primary Examiner — Freda S Nunn

(57) **CLAIM**

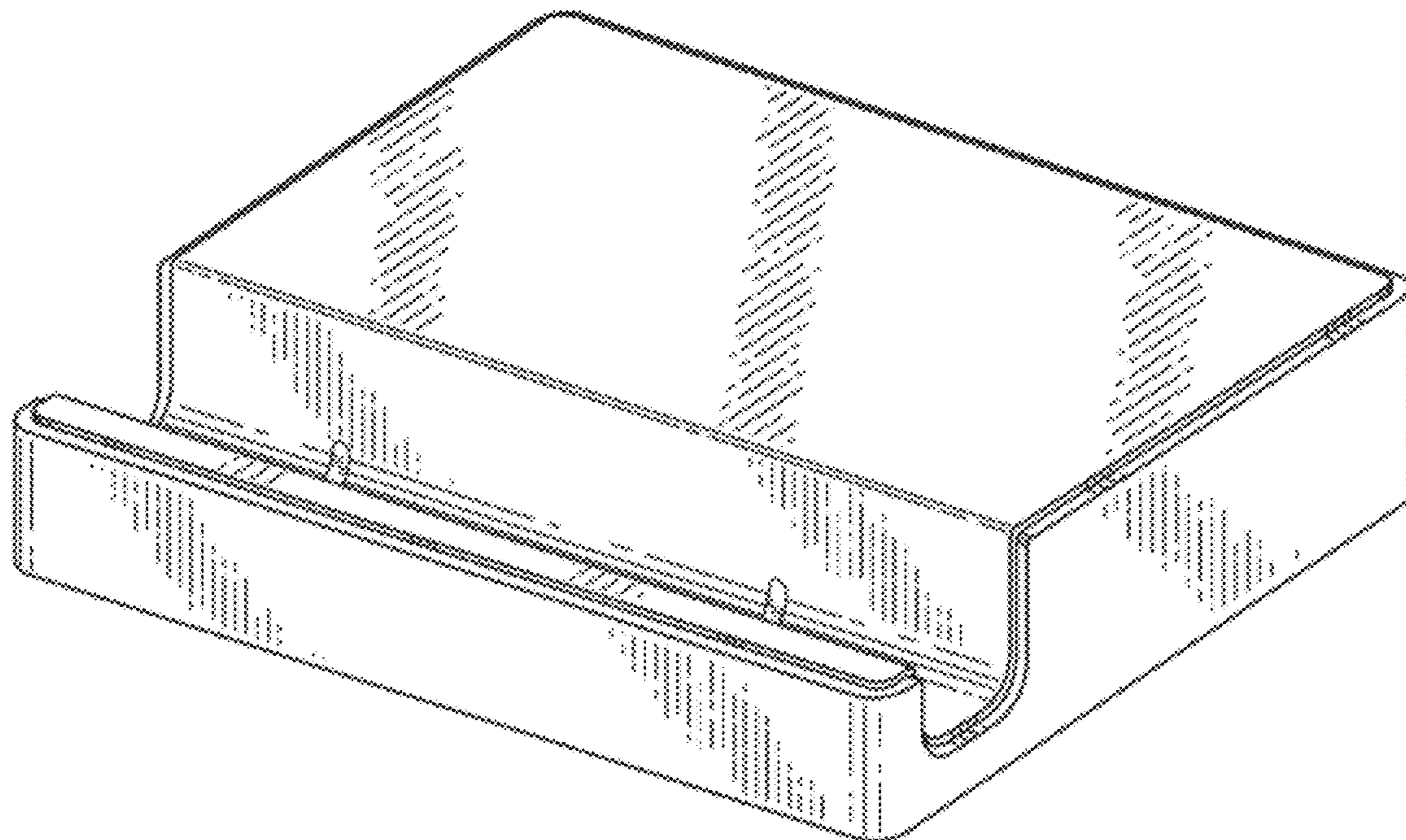
The ornamental design for a dock for a mobile computing device, as shown and described.

DESCRIPTION

FIG. 1 is a front perspective view of a dock for a mobile computing device, under an embodiment;
FIG. 2 is a top view of the dock of FIG. 1;
FIG. 3 is a bottom view of the dock of FIG. 1;
FIG. 4 is a first side view of the dock of FIG. 1;
FIG. 5 is a second side view of the dock of FIG. 1;
FIG. 6 is a front view of the dock of FIG. 1;
FIG. 7 is a back view of the dock of FIG. 1;
FIG. 8 is a front perspective view of the dock as shown in FIGS. 1-7 including charging contacts; and,
FIG. 9 is a top view of the dock of FIG. 8 including charging contacts.

The broken lines shown in the drawings are for the purpose of illustrating portions of the dock for a mobile computing device and form no part of the claimed design.

1 Claim, 6 Drawing Sheets



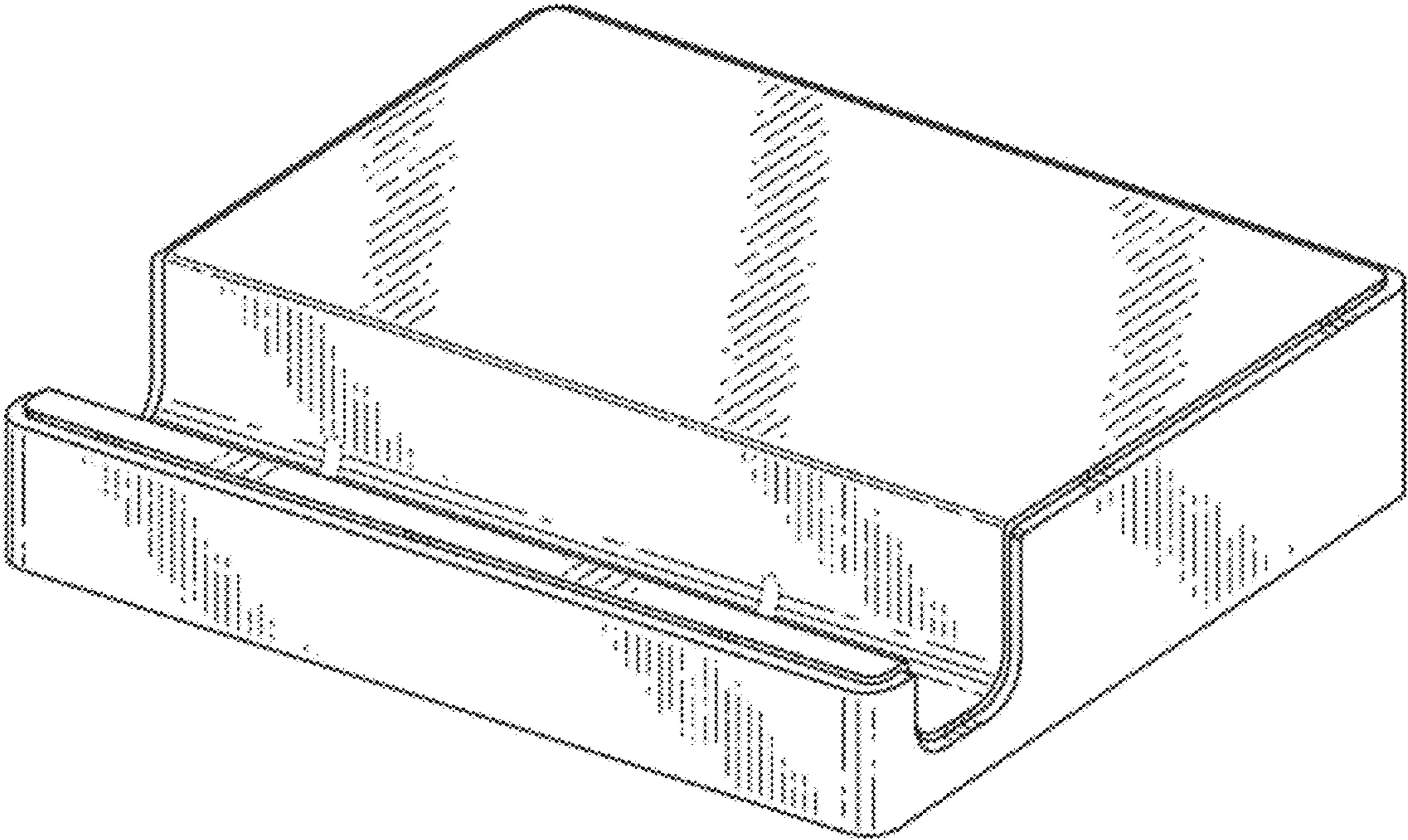


FIG. 1

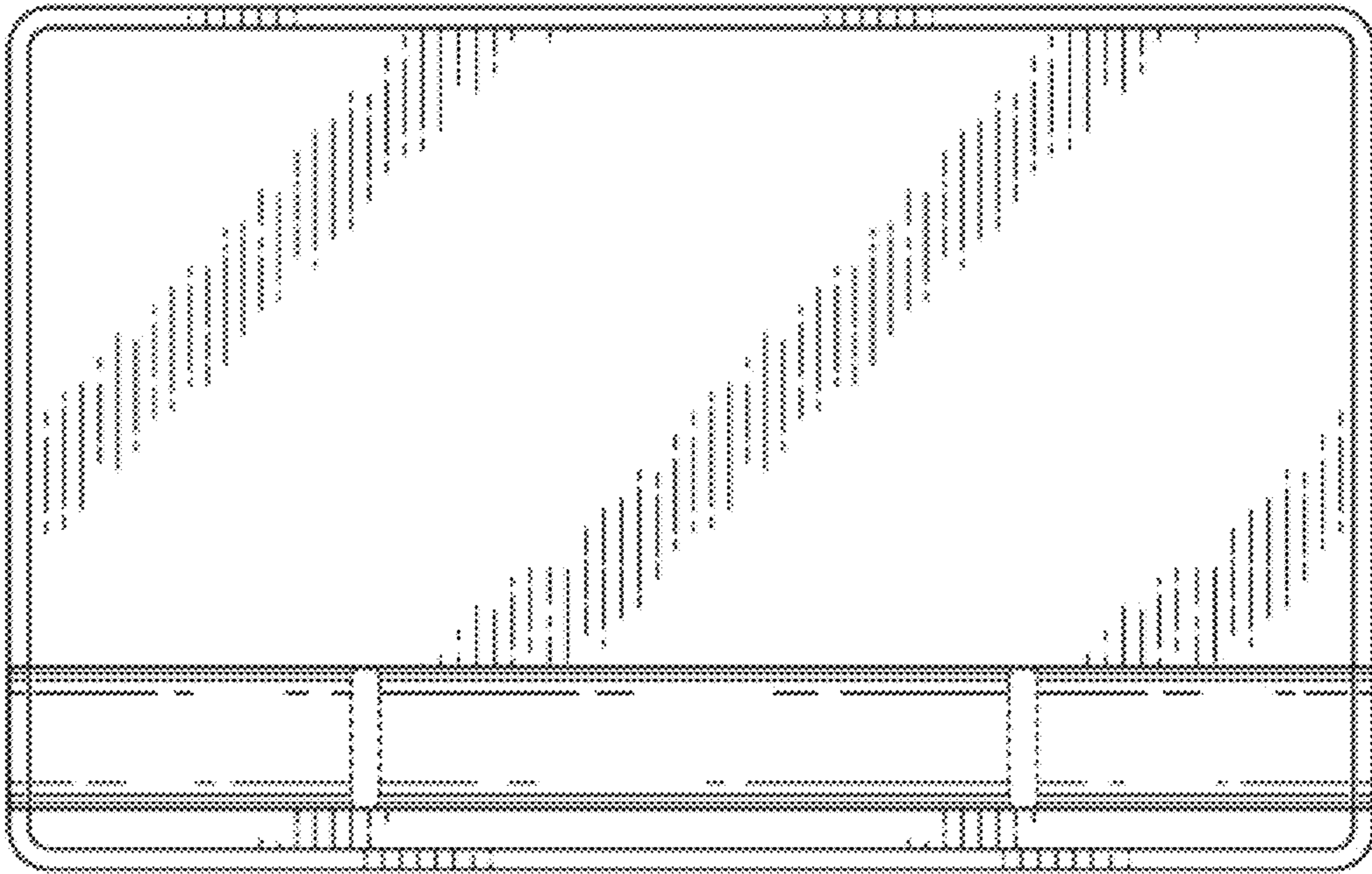


FIG. 2

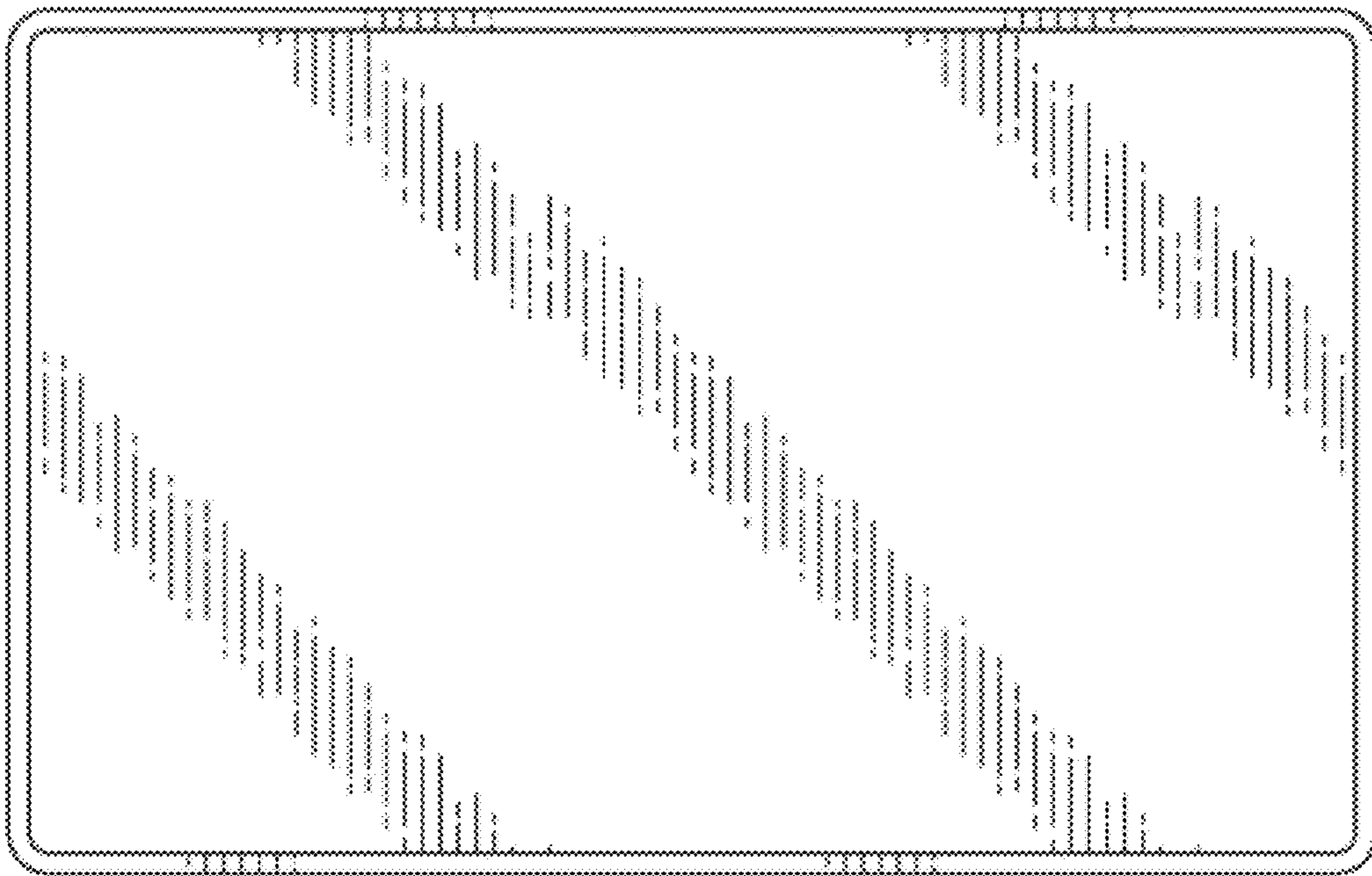


FIG. 3

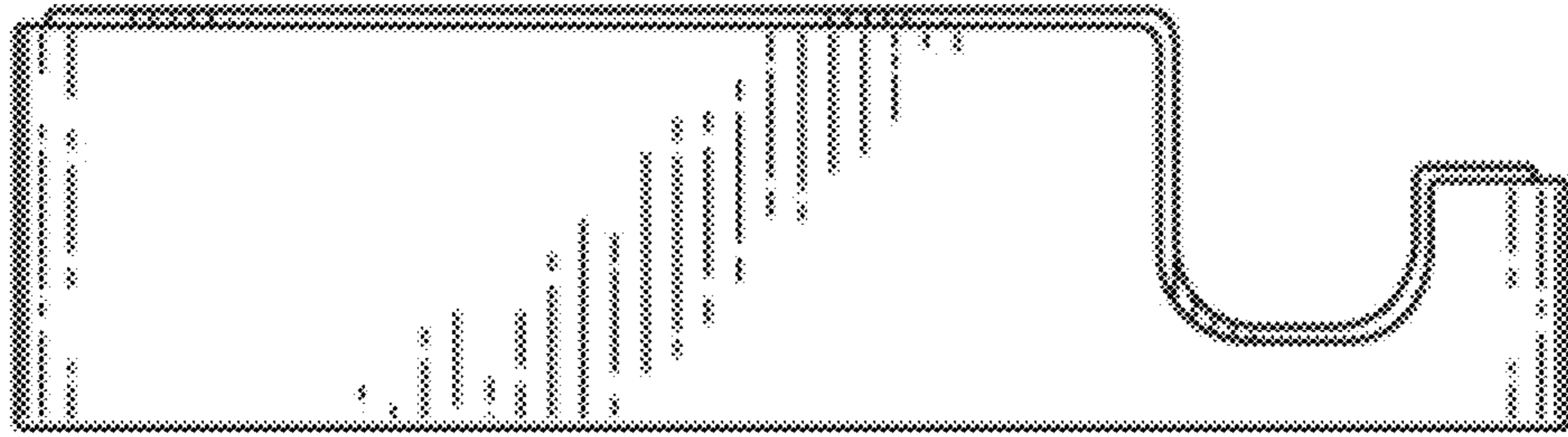


FIG. 4

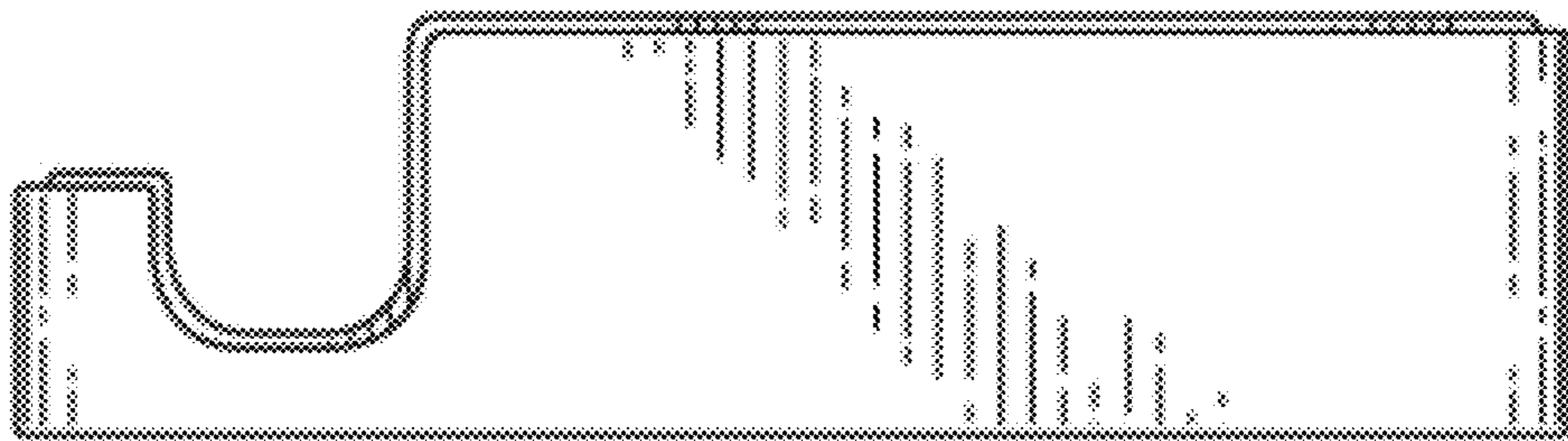


FIG. 5

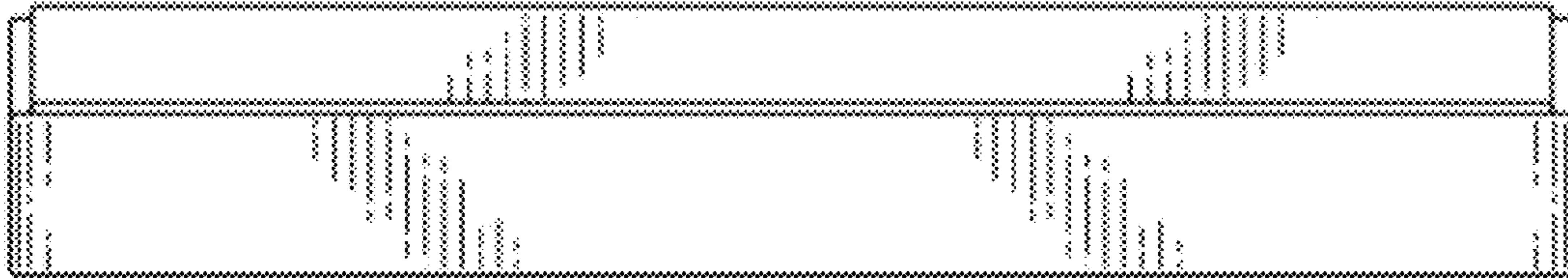


FIG. 6



FIG. 7

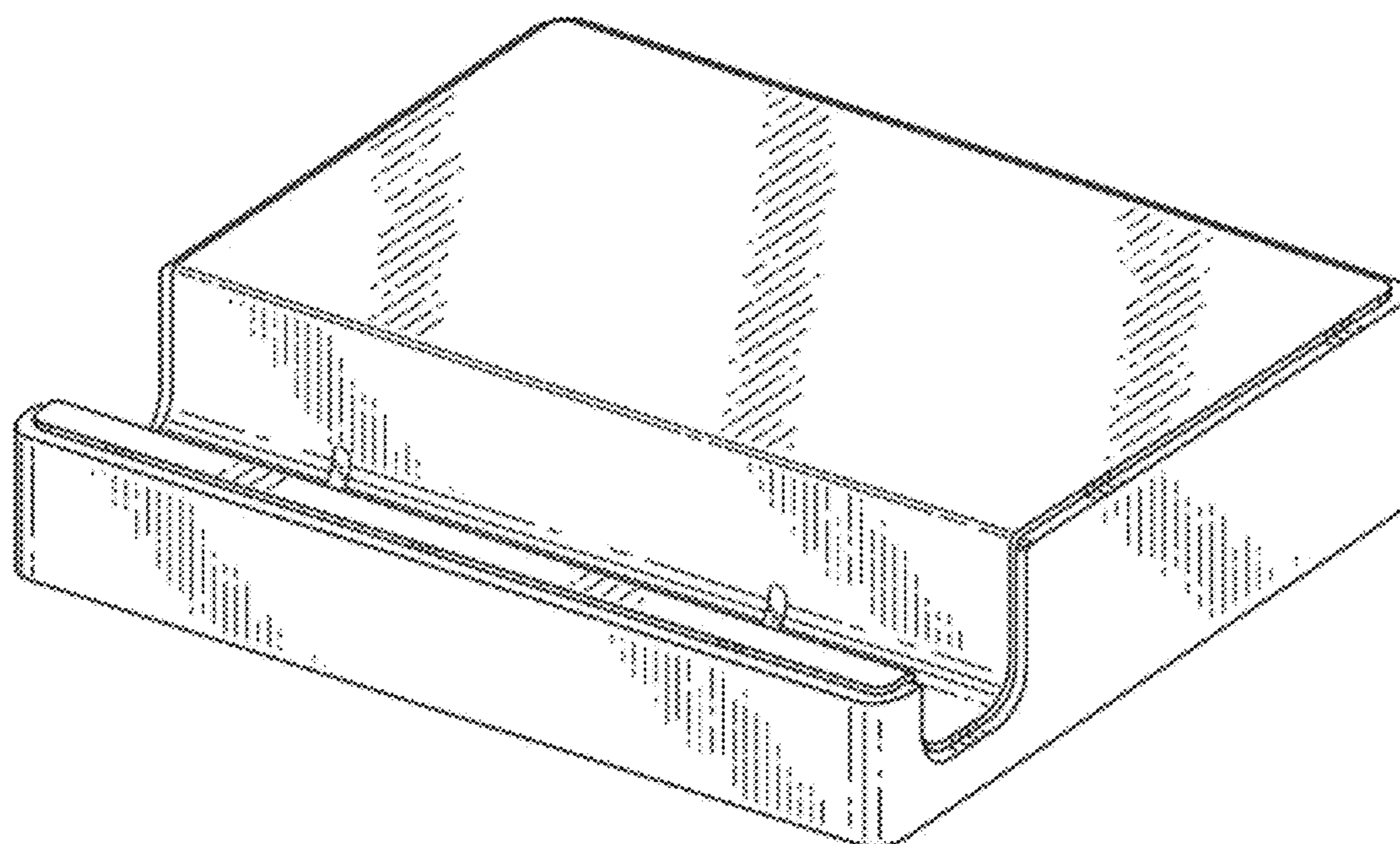


FIG. 8

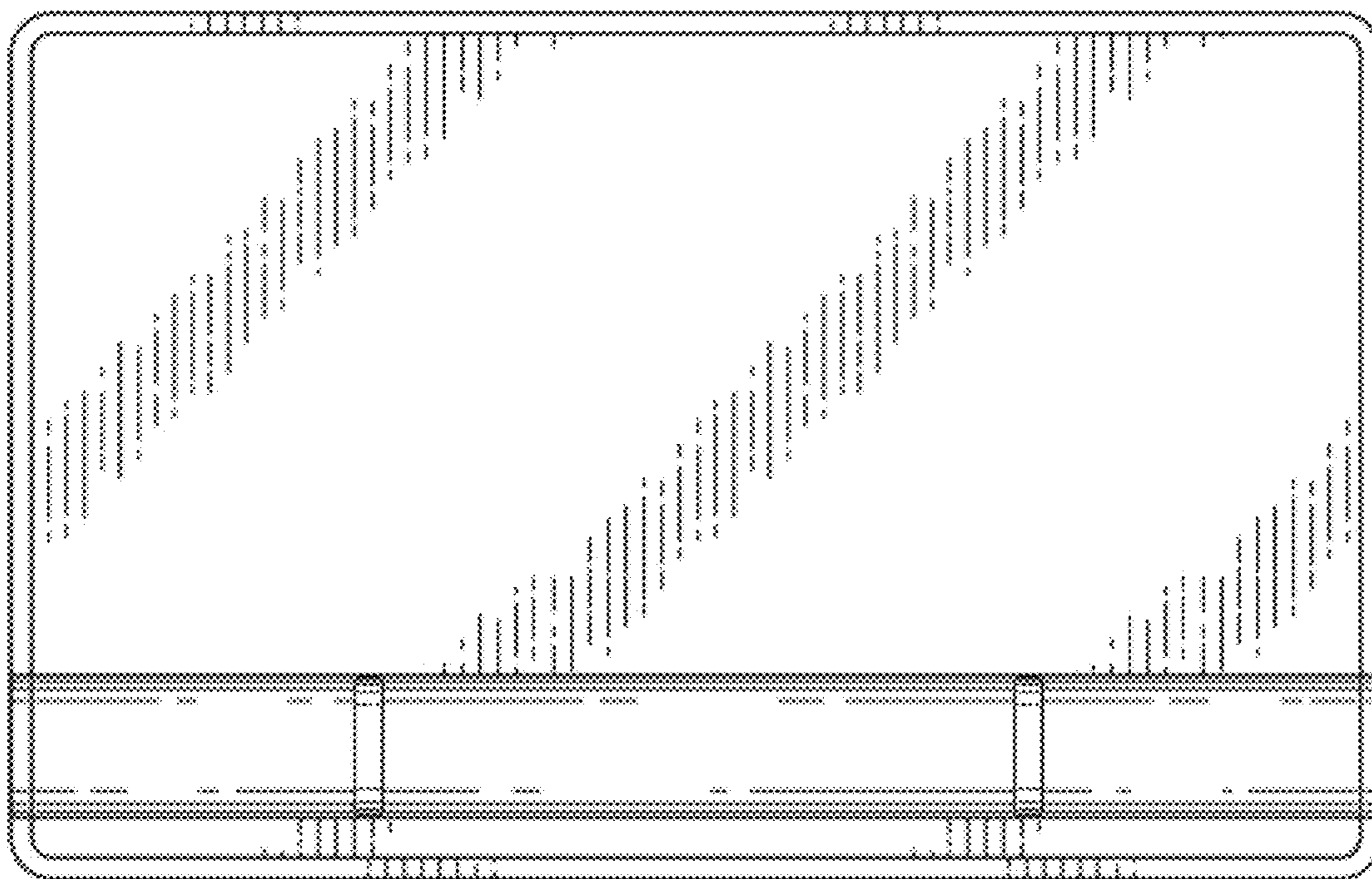


FIG. 9