



US00D672349S

(12) **United States Design Patent**
Smith et al.

(10) **Patent No.:** **US D672,349 S**

(45) **Date of Patent:** **** Dec. 11, 2012**

(54) **KEYBOARD**

(75) Inventors: **Dustin Jonathan Smith**, Waterloo (CA);
Todd Andrew Wood, Toronto (CA);
Anders Fahrendorff, Ottawa (CA);
Jason Tyler Griffin, Kitchener (CA);
Roman Peter Rak, Waterloo (CA);
Alina Claudia Oprea, Waterloo (CA)

(73) Assignee: **Research In Motion Limited**, Waterloo,
Ontario (CA)

(**) Term: **14 Years**

(21) Appl. No.: **29/422,020**

(22) Filed: **May 15, 2012**

Related U.S. Application Data

(63) Continuation of application No. 29/385,411, filed on
Feb. 14, 2011, now Pat. No. Des. 662,934.

(51) **LOC (9) Cl.** **14-02**

(52) **U.S. Cl.** **D14/391**

(58) **Field of Classification Search** D14/240,
D14/391-399, 443, 455, 456; D18/1, 2,
D18/7, 11; 178/17 A, 17 C; 200/5 A, 5 R,
200/6 A, 6 R; 235/145 A, 145 R; 341/20-23;
345/156, 160, 168, 169, 173, 700; 361/679.08,
361/679.09; 400/484-489, 492, 472

See application file for complete search history.

(56) **References Cited**

U.S. PATENT DOCUMENTS

| | | | |
|--------------|---------|-------------------|---------|
| D417,446 S * | 12/1999 | Dorrie | D14/392 |
| D485,271 S * | 1/2004 | Kamegi | D14/392 |
| D491,562 S * | 6/2004 | Chou | D14/396 |
| D601,148 S * | 9/2009 | Akita | D14/391 |
| D612,388 S * | 3/2010 | Chan et al. | D14/456 |
| D613,298 S * | 4/2010 | Wang et al. | D14/455 |
| D662,934 S * | 7/2012 | Smith et al. | D14/391 |

* cited by examiner

Primary Examiner — Freda S Nunn

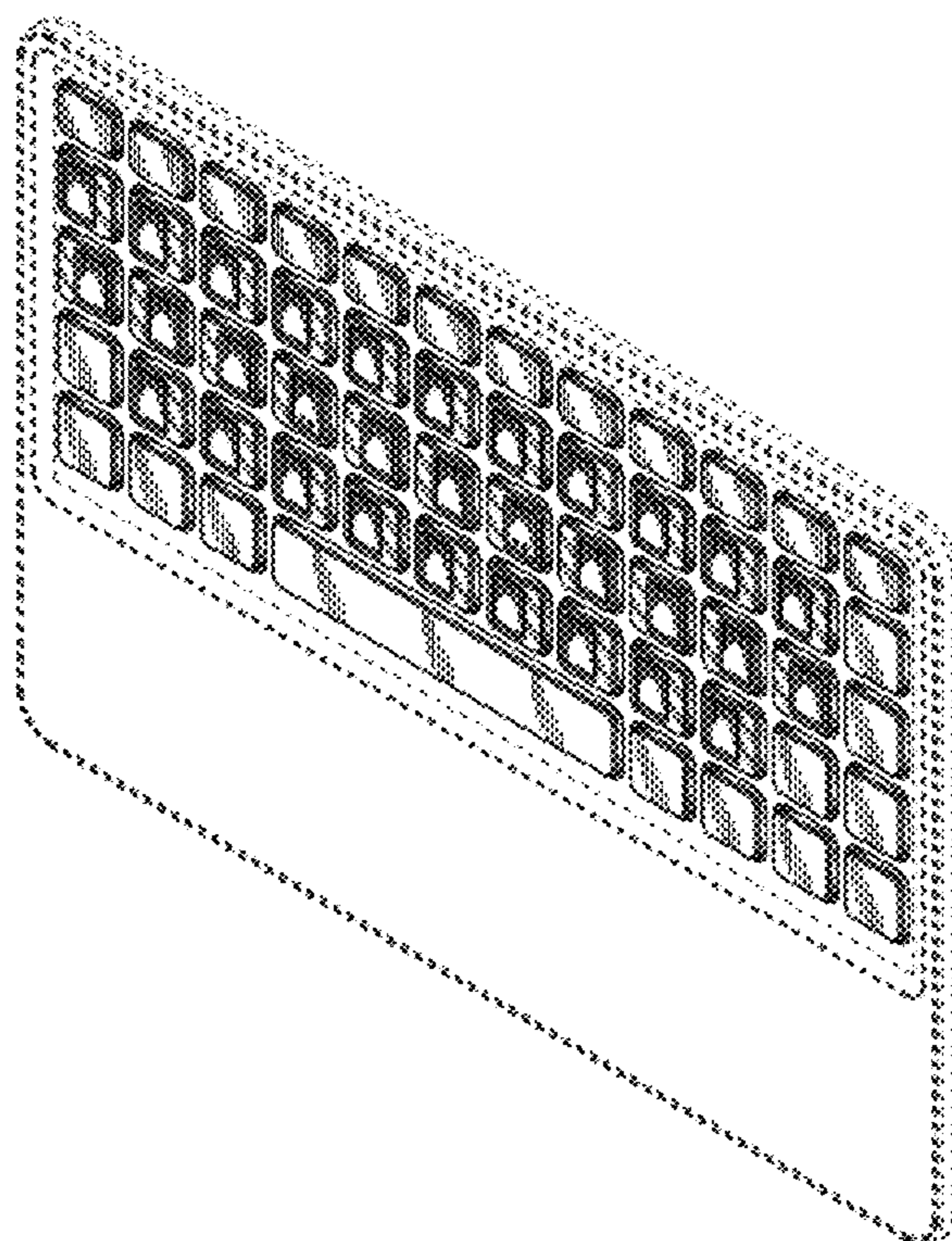
(57) **CLAIM**

We claim the ornamental design for a keyboard, as shown and described.

DESCRIPTION

FIG. 1 is a front perspective view of a keyboard; and, FIG. 2 is a front elevational view of the keyboard. The broken lines immediately surrounding the keys indicate the bounds of the claimed design, while all other broken lines are for the purpose of illustrating portions of the article and form no part of the claimed design.

1 Claim, 2 Drawing Sheets



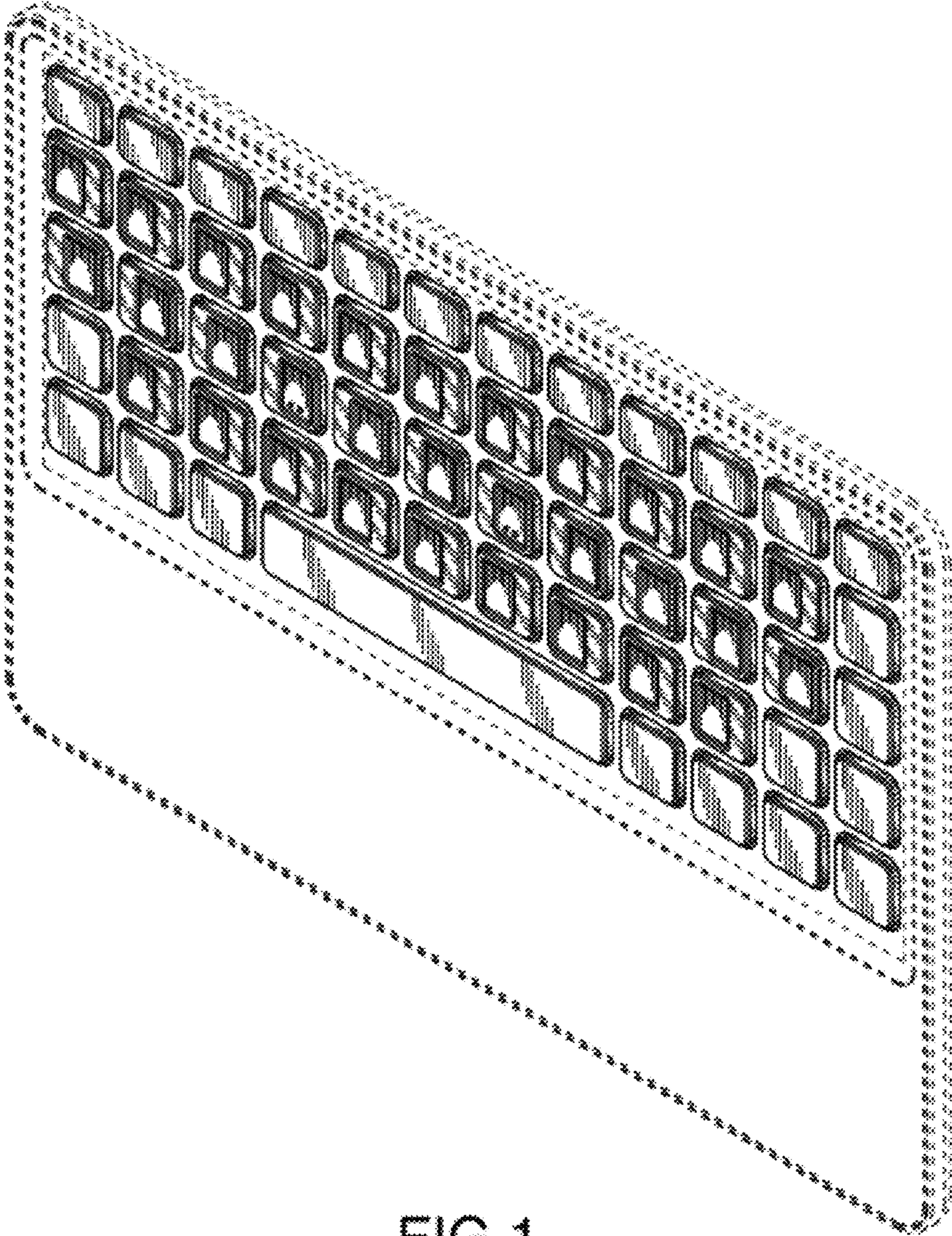


FIG. 1

