



US00D672344S

(12) **United States Design Patent**
Li

(10) **Patent No.:** **US D672,344 S**

(45) **Date of Patent:** **** Dec. 11, 2012**

(54) **TABLET COMPUTER**

(75) **Inventor:** **Qing-Ping Li**, Shenzhen (CN)

(73) **Assignee:** **FIH (Hong Kong) Limited**, Kowloon (HK)

(**) **Term:** **14 Years**

(21) **Appl. No.:** **29/394,868**

(22) **Filed:** **Jun. 22, 2011**

(51) **LOC (9) Cl.** **14-02**

(52) **U.S. Cl.** **D14/341**

(58) **Field of Classification Search** D14/341-347, D14/137, 138, 138.1, 138 A, 138 AA, 138 R, D14/138 AB, 138 AC, 138 AD, 138 C, 138 G, D14/496, 203.1, 203.3, 203.4, 203.5, 203.7, D14/426, 427, 432, 429, 129, 130, 420, 439-441, D14/448, 125, 126, 147, 156, 218, 247-248, D14/250, 389, 388, 315-318; D10/65, 104; D18/6-7; D21/324, 329, 330; D19/26, 59, D19/60; 455/556.1, 556.2, 566, 575.1, 90.3; 379/433.04, 433.01, 433.06, 916; 345/169, 345/173, 901, 905; 361/679.26, 679.27, 361/679.3, 679.55, 679.56

See application file for complete search history.

(56) **References Cited**

U.S. PATENT DOCUMENTS

D333,574 S	*	3/1993	Ackeret	D6/300
D504,889 S	*	5/2005	Andre et al.	D14/341
D540,203 S	*	4/2007	Jeon	D10/65
D580,387 S	*	11/2008	Andre et al.	D14/138 G

D615,083 S	*	5/2010	Andre et al.	D14/341
D617,793 S	*	6/2010	Chiang et al.	D14/341
D622,270 S	*	8/2010	Andre et al.	D14/341
D624,896 S	*	10/2010	Park et al.	D14/138 G
D625,306 S	*	10/2010	Miyawaki	D14/341
D626,437 S	*	11/2010	Lee et al.	D10/65
D627,778 S	*	11/2010	Akana et al.	D14/341
D630,630 S	*	1/2011	Andre et al.	D14/341
D636,391 S	*	4/2011	Shen et al.	D14/341
D637,596 S	*	5/2011	Akana et al.	D14/341
D638,814 S	*	5/2011	Sutherland et al.	D14/138 G
D639,261 S	*	6/2011	Garnham et al.	D14/138 G
D640,219 S	*	6/2011	Sutherland et al.	D14/138 G
D640,663 S	*	6/2011	Arnholt et al.	D14/138 G

* cited by examiner

Primary Examiner — Barbara Fox

(74) *Attorney, Agent, or Firm* — Altis Law Group, Inc.

(57) **CLAIM**

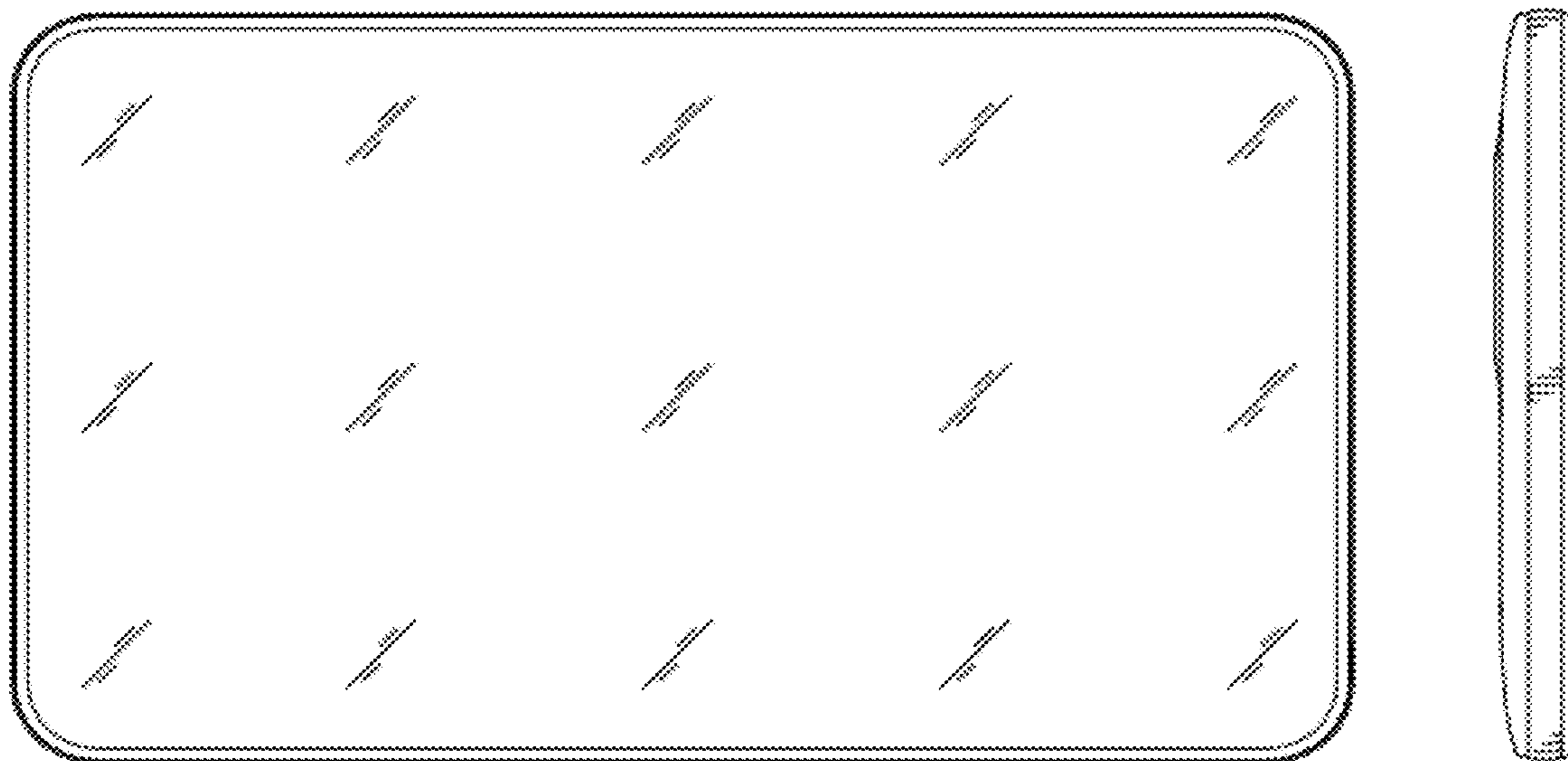
The ornamental design for a tablet computer, as shown and described.

DESCRIPTION

FIG. 1 is a perspective view of a tablet computer showing my new design;
FIG. 2 is a front elevational view thereof;
FIG. 3 is a rear elevational view thereof;
FIG. 4 is a left side elevational view thereof;
FIG. 5 is a right side elevational view thereof;
FIG. 6 is a top plan view thereof; and,
FIG. 7 is a bottom plan view thereof.

The broken lines shown in the drawings represent portions of the tablet computer which form no part of the claimed design.

1 Claim, 7 Drawing Sheets



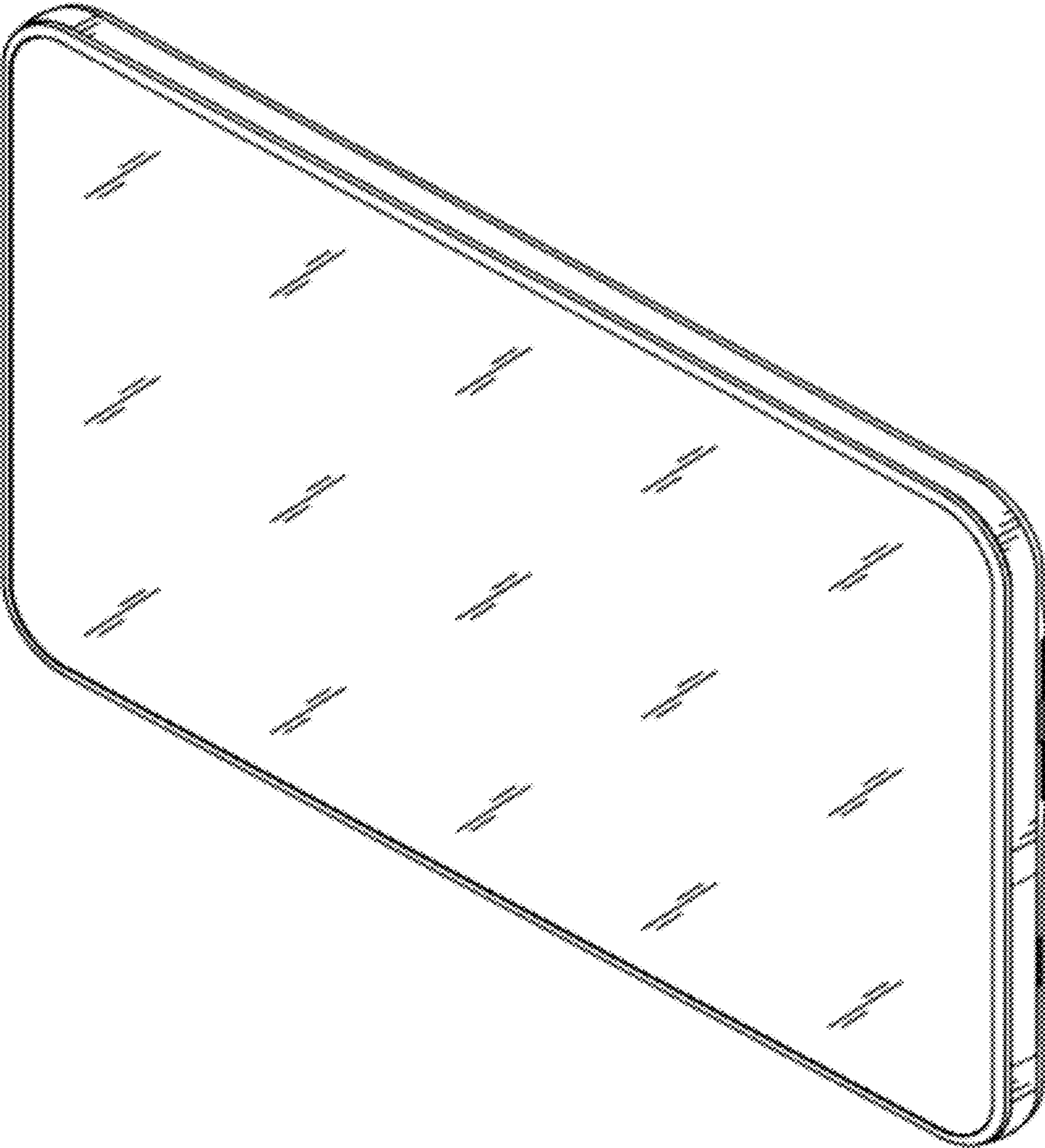


FIG. 1

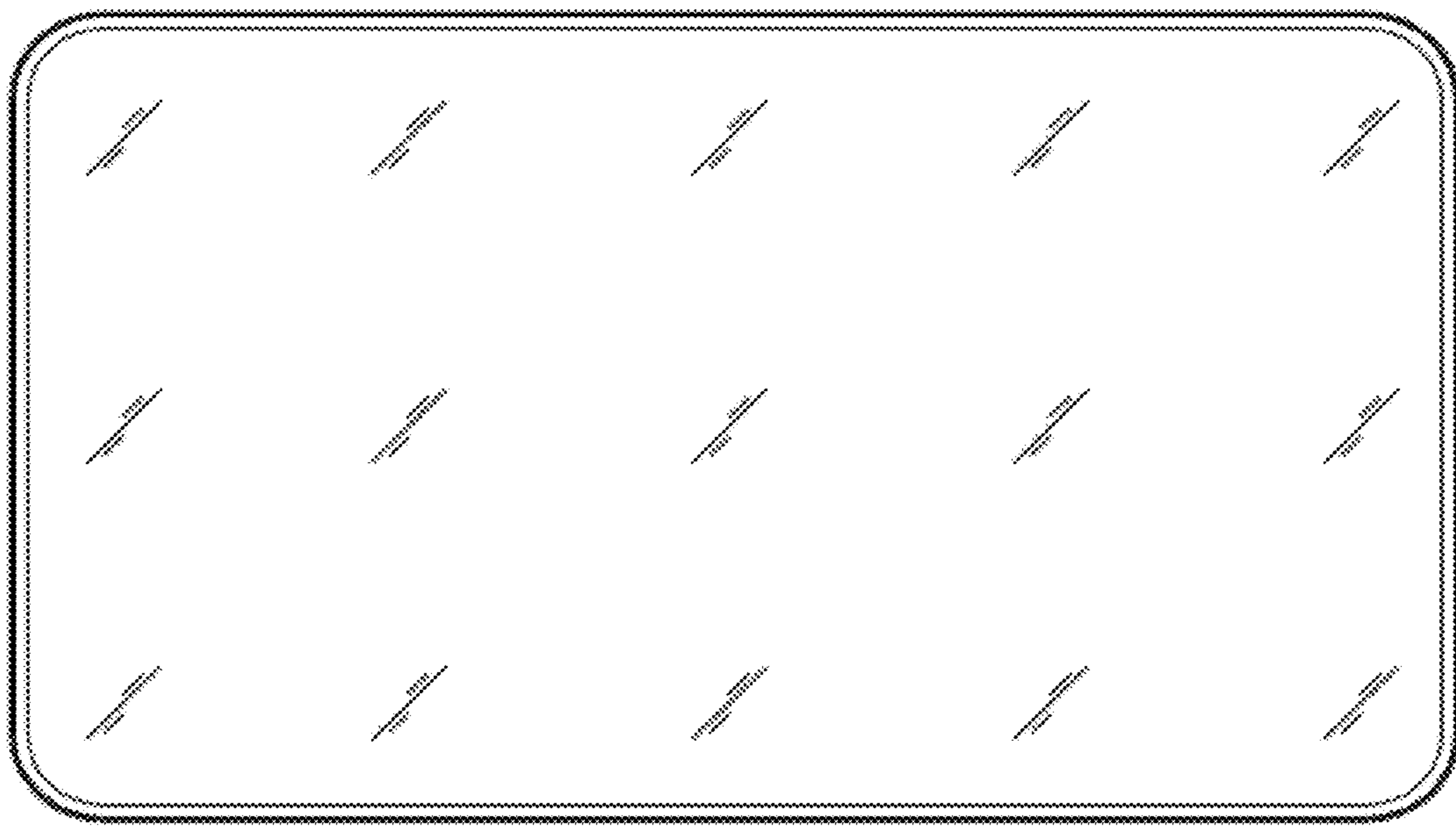


FIG. 2

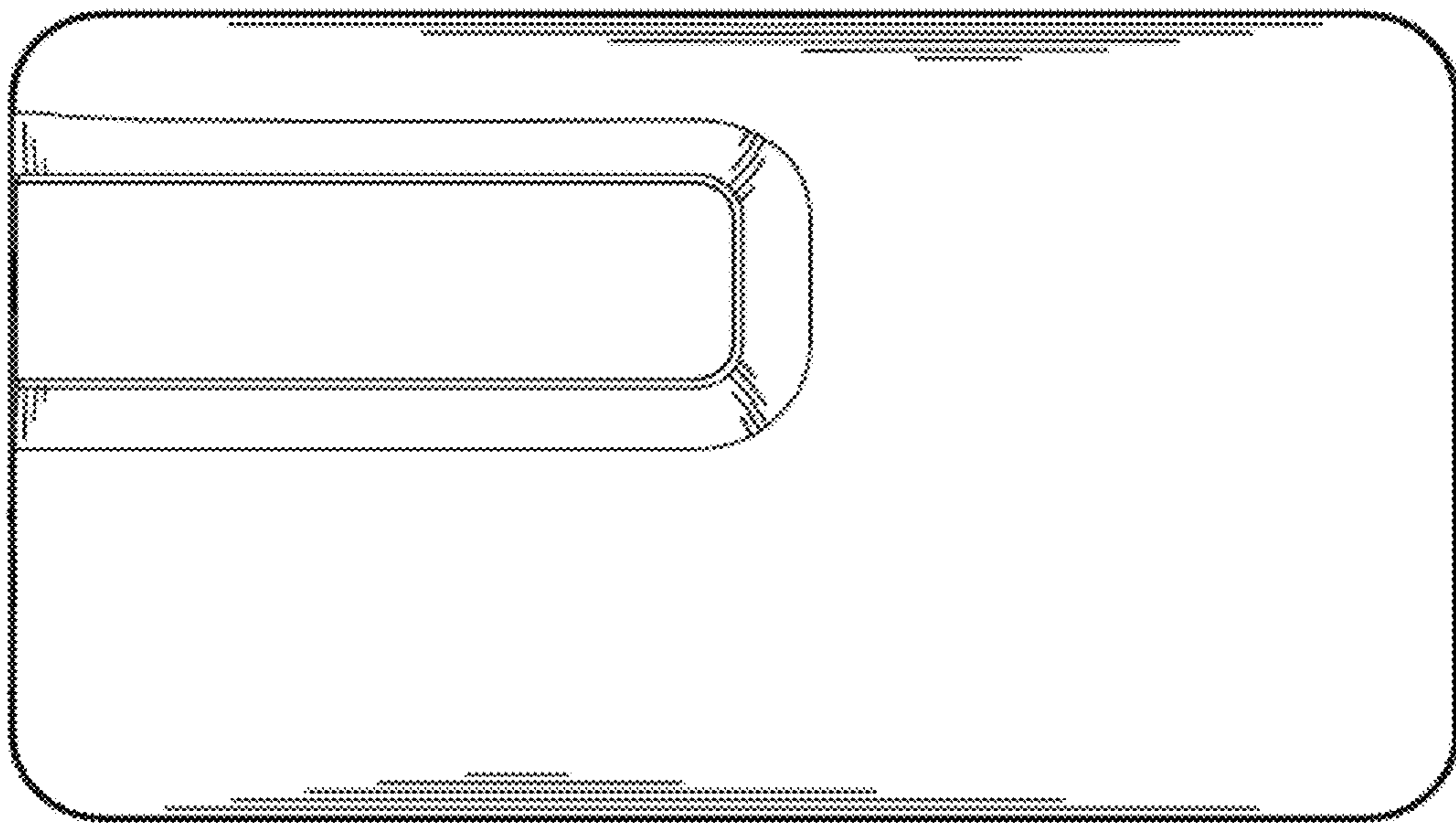


FIG. 3

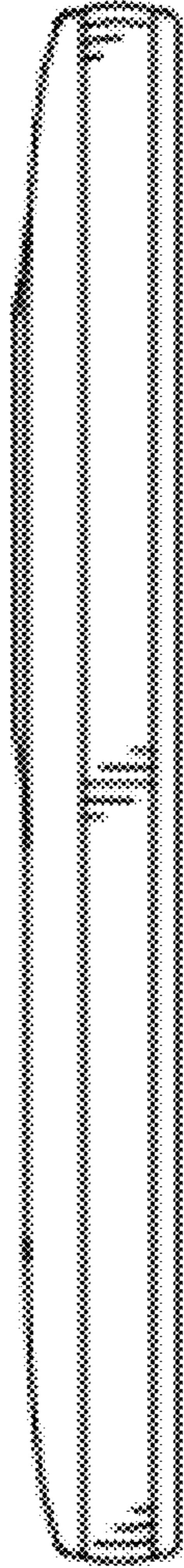


FIG. 4

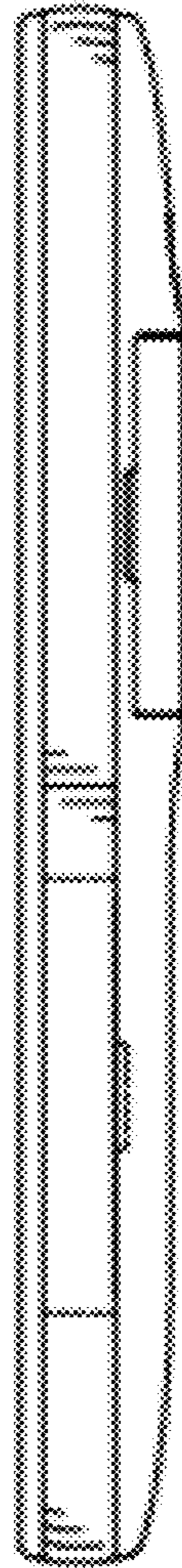


FIG. 5

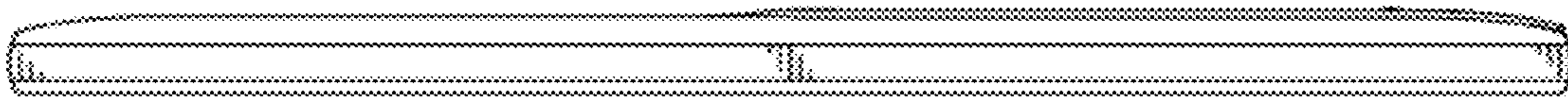


FIG. 6

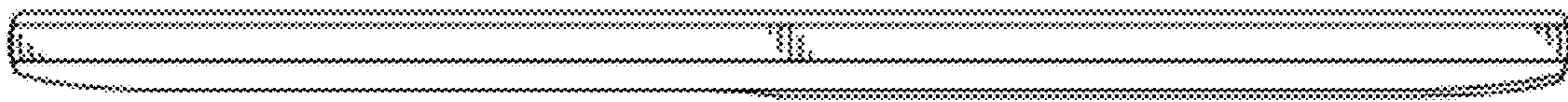


FIG. 7