



US00D672342S

(12) **United States Design Patent**  
**Herreid, II et al.**

(10) **Patent No.:** **US D672,342 S**  
(45) **Date of Patent:** **\*\* Dec. 11, 2012**

(54) **ELECTRONICS CABINET**

(75) Inventors: **Kenneth Randall Herreid, II**, Lino Lakes, MN (US); **Joshua Lee Wickander**, Minneapolis, MN (US); **Matthew James Jarchow**, Minnetrista, MN (US)

(73) Assignee: **Kendall Howard L.L.C.**, Chisago City, MN (US)

(\*\*) Term: **14 Years**

(21) Appl. No.: **29/393,430**

(22) Filed: **Jun. 3, 2011**

(51) **LOC (9) Cl.** ..... **14-02**

(52) **U.S. Cl.** ..... **D14/308**

(58) **Field of Classification Search** ..... D14/240, D14/300, 308-310, 313, 349-356, 363-368; D13/162, 184, 199; 312/223.1-223.3, 351.11, 312/305, 238; 360/99.01-99.12; 369/34.01-36.01; 361/679.31-679.33, 679.37, 679.39, 679.46, 361/679.53, 679.4; D25/33; D6/407, 422, D6/432

See application file for complete search history.

(56) **References Cited**

**U.S. PATENT DOCUMENTS**

|           |      |         |              |         |
|-----------|------|---------|--------------|---------|
| 2,337,213 | A    | 12/1943 | Topping, Jr. |         |
| 3,203,502 | A    | 8/1965  | Rife         |         |
| 4,286,688 | A    | 9/1981  | O'Malley     |         |
| 4,440,459 | A *  | 4/1984  | Hallgren     | 312/238 |
| 4,728,161 | A    | 3/1988  | Murphy       |         |
| 5,152,592 | A    | 10/1992 | Krayer       |         |
| 6,017,108 | A *  | 1/2000  | Domenig      | 312/305 |
| 6,056,083 | A    | 5/2000  | Daniell      |         |
| D448,369  | S *  | 9/2001  | Furey et al. | D14/310 |
| 6,522,824 | B2   | 2/2003  | Dagley       |         |
| 6,523,917 | B2   | 2/2003  | Twelmann     |         |
| D506,465  | S *  | 6/2005  | Geeng        | D14/308 |
| 6,991,305 | B2 * | 1/2006  | Gallea       | 312/238 |
| D577,127  | S *  | 9/2008  | Ronco        | D25/33  |

**FOREIGN PATENT DOCUMENTS**

EP 0 517 799 B1 1/1998  
JP 2000-312318 7/2000

**OTHER PUBLICATIONS**

Stands and Mounts.com, Peerless Corner Mount Adapter for 32-50 inch Flat Panel Mounts (Black or Silver) CM50, copyright 2003, 3 pages.

Yeung Investments, Standard Cabinet Dimensions Part 2: Wall Cabinets, copyright 2004-2007, 5 pages.

Apartment Therapy Unplggd—posts by ryan, How To: Mount a Flat Panel TV in the Corner, Oct. 10, 2008, 9 pages.

Alibaba.com, High Wall Diagonal Corner Cabinets, copyright 1999-2010, 2 pages.

Alibaba.com, Wooden Wall Corner Cabinet, copyright 1999-2010, 3 pages.

Chatsworth Products, Inc., Wall-Mount Open Systems, copyright 2010, 2 pages.

\* cited by examiner

*Primary Examiner* — Freda S Nunn

(74) *Attorney, Agent, or Firm* — Merchant & Gould P.C.

(57) **CLAIM**

The ornamental design for the electronics cabinet, as shown and described.

**DESCRIPTION**

FIG. 1 is a perspective view of an electronics cabinet showing our new design;

FIG. 2 is a front left side elevational view;

FIG. 3 is a rear left side elevational view;

FIG. 4 is a rear right side elevational view;

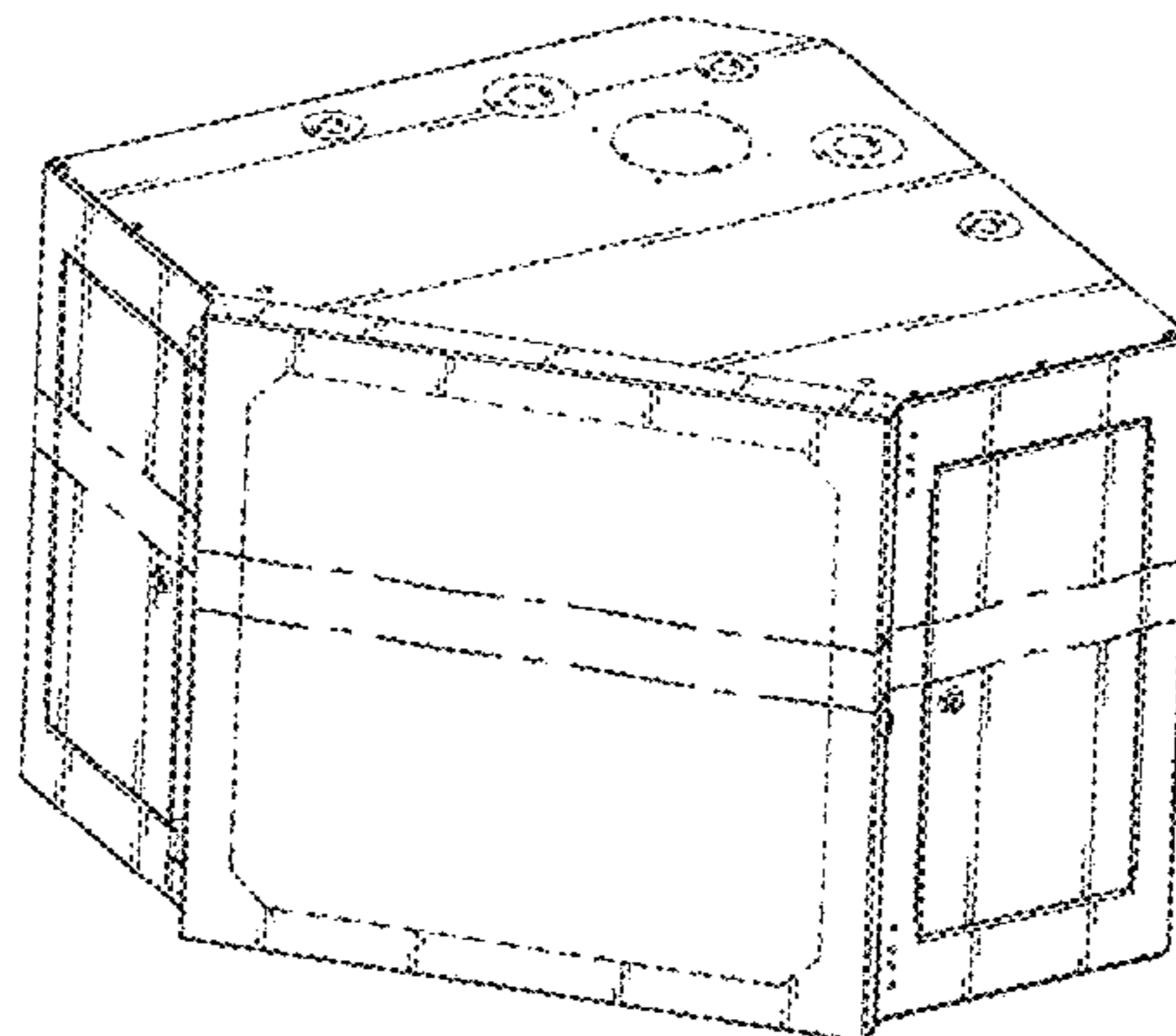
FIG. 5 is a front right side elevational view;

FIG. 6 is a top plan view; and,

FIG. 7 is a bottom plan view.

The broken lines shown on the central, rectangular, hinged door in FIGS. 1, 2, and 5 that are immediately adjacent to the shaded areas represent the bounds of the claimed design, the long, wavy, dash-dot-dash lines cutting through the middle of the cabinet in FIGS. 1-5 indicate an indeterminate height, while all other broken lines are directed to environment and form no part of the claimed design.

**1 Claim, 7 Drawing Sheets**



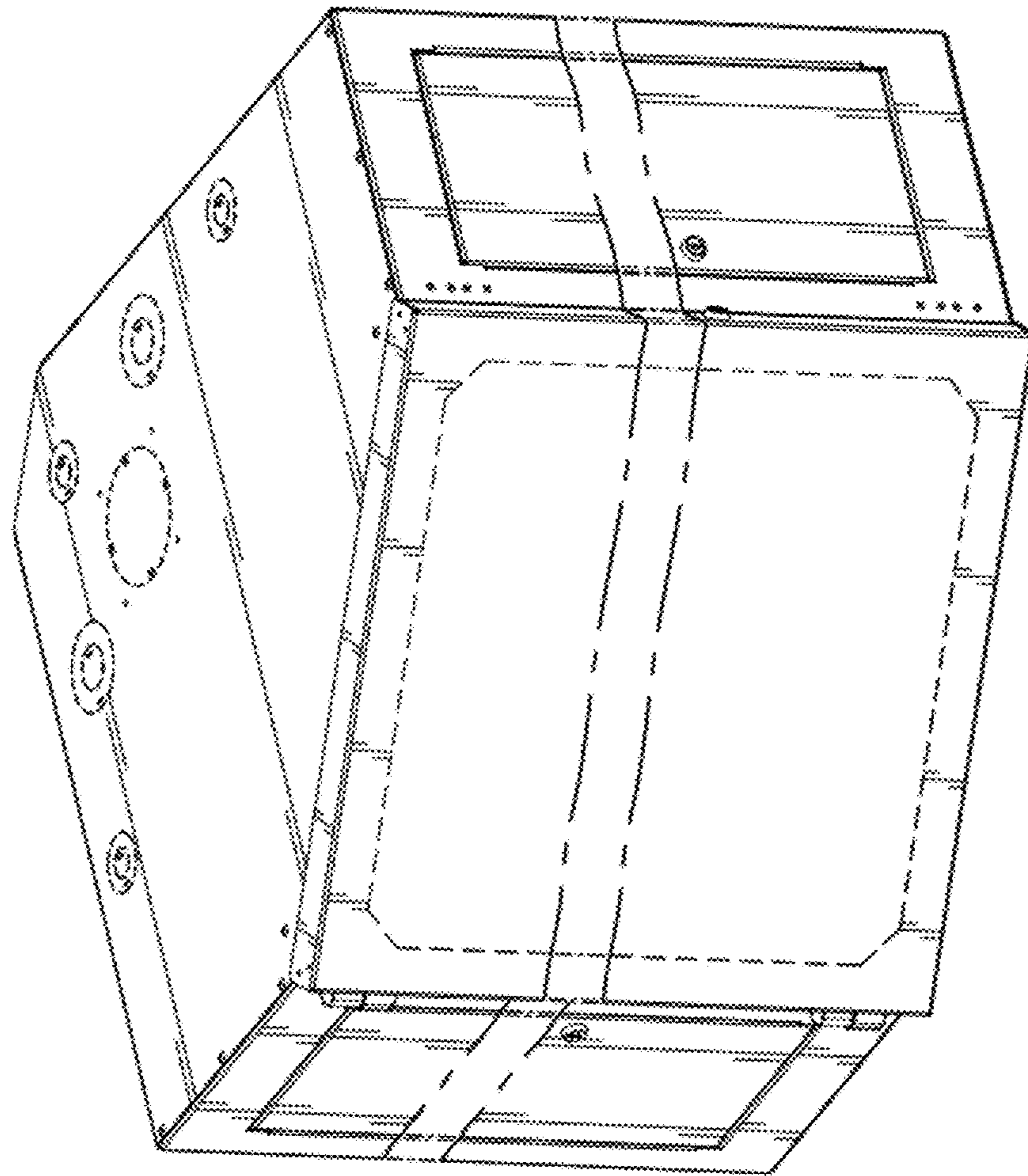
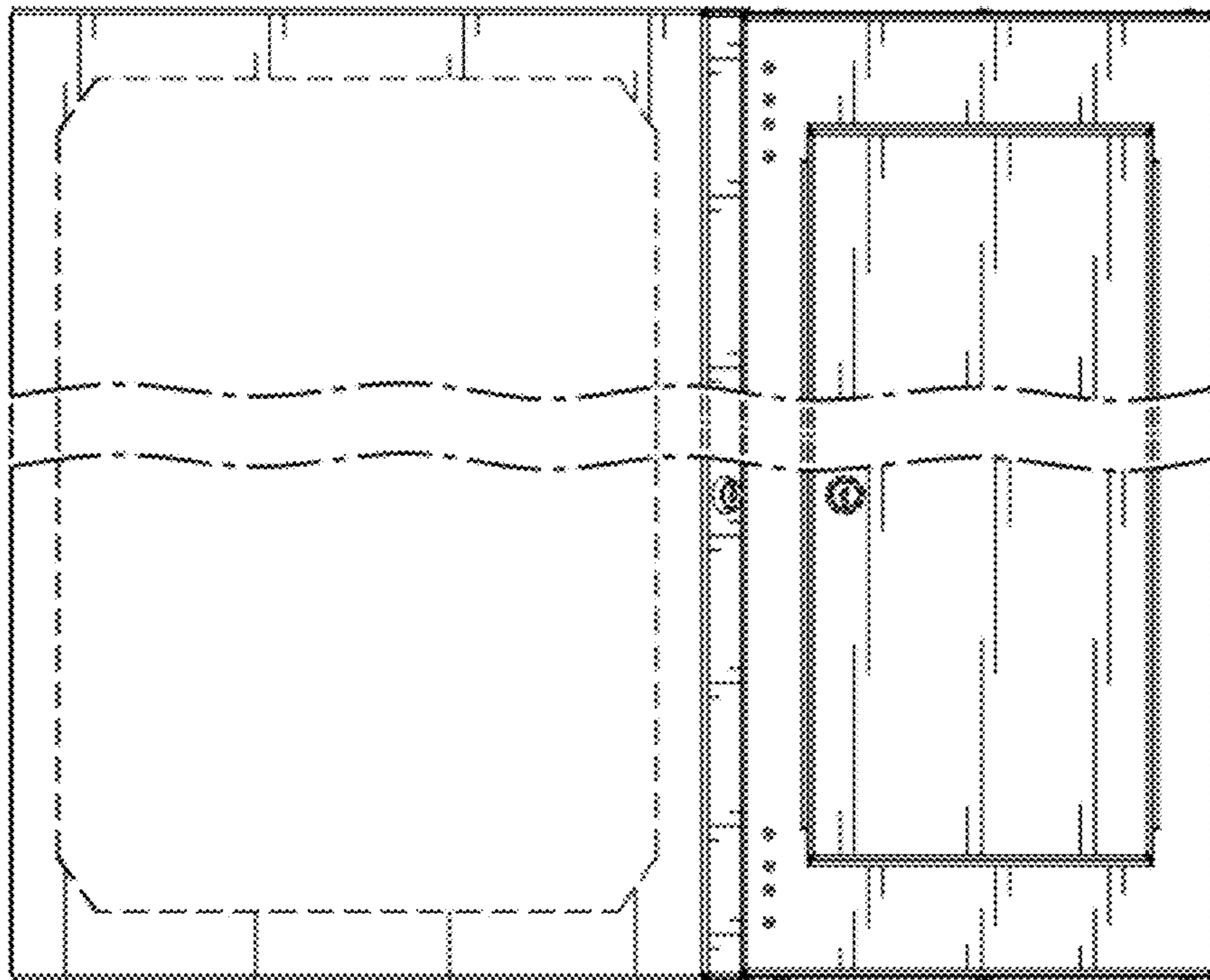


FIG. 1

FIG. 2





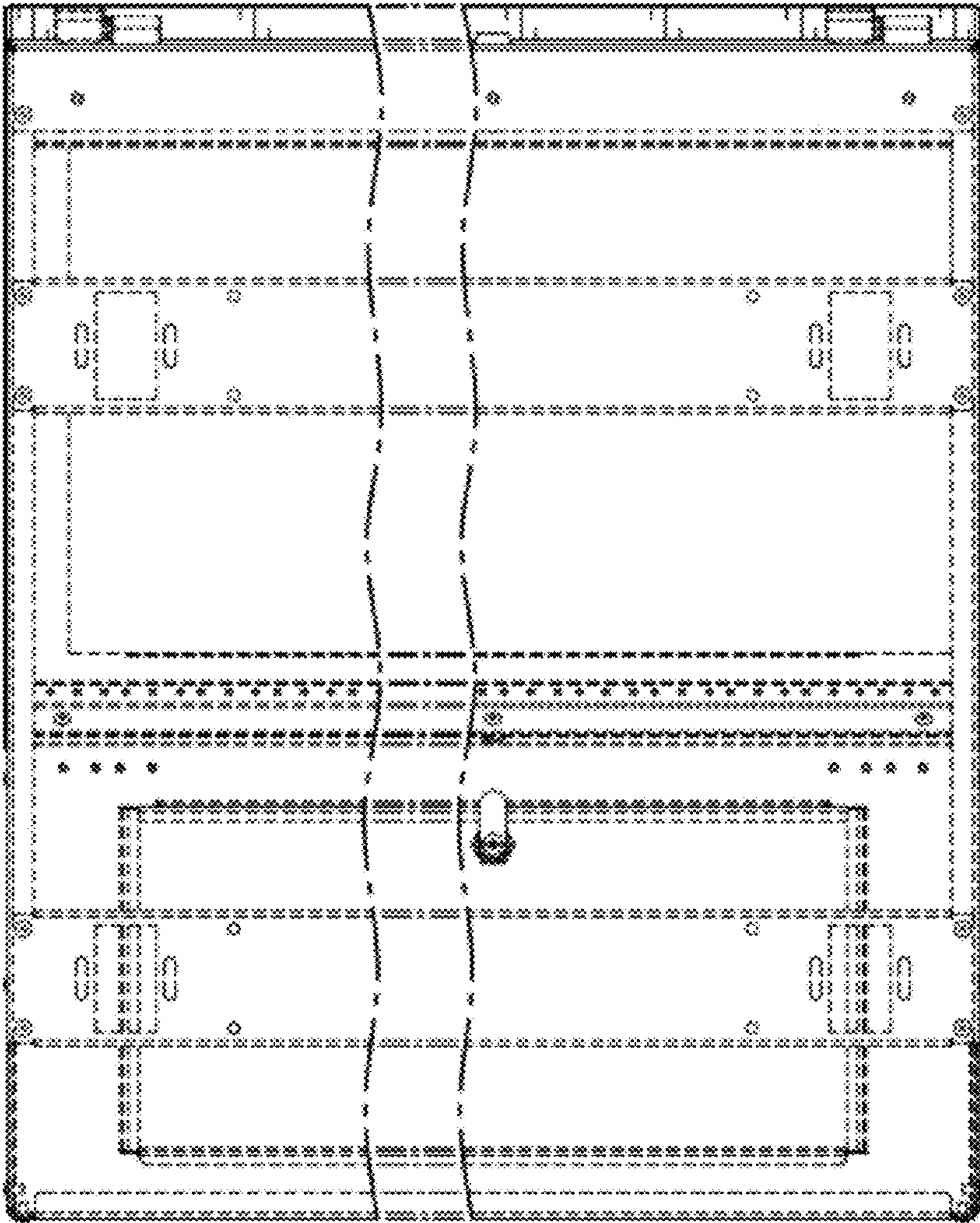


FIG. 3

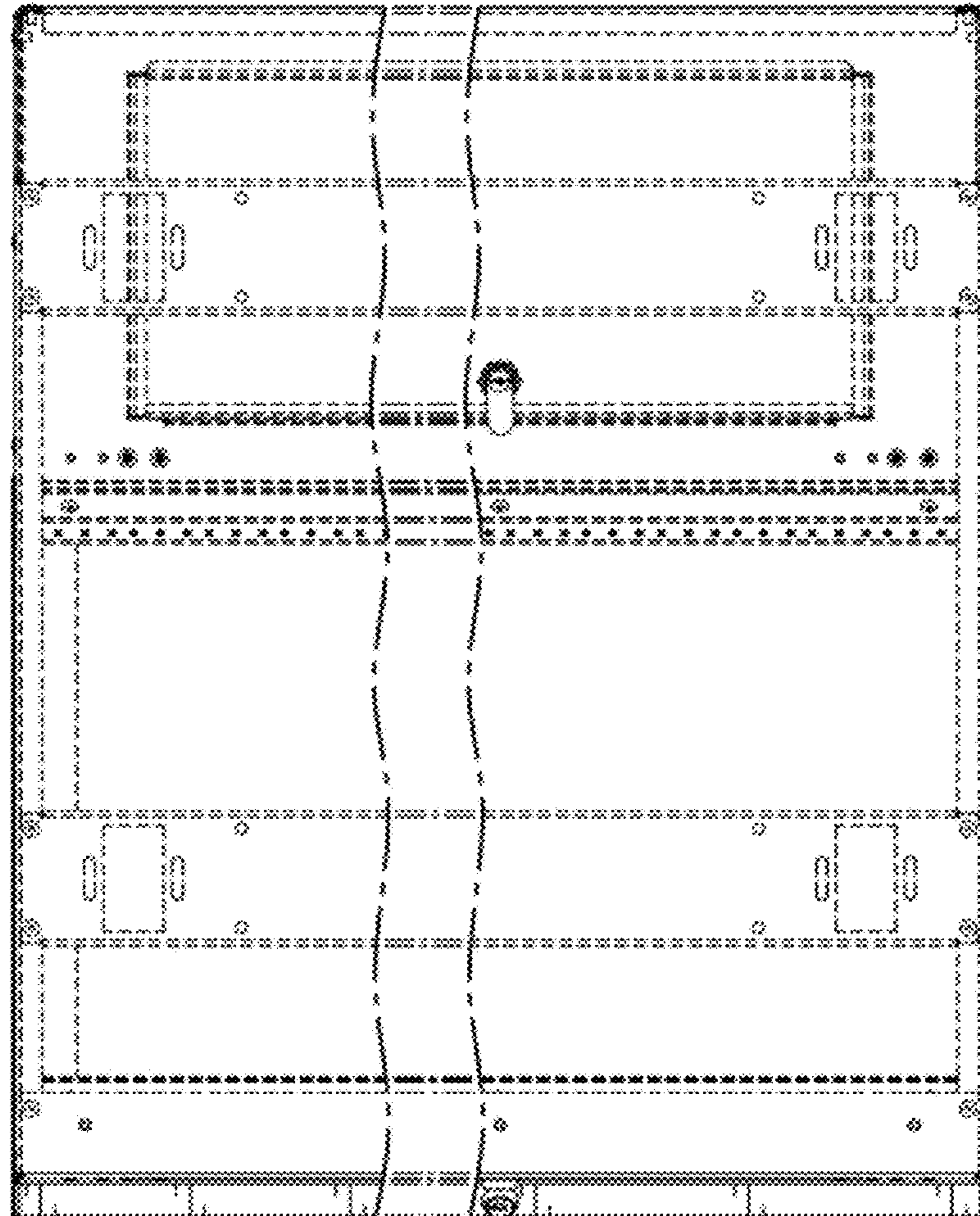
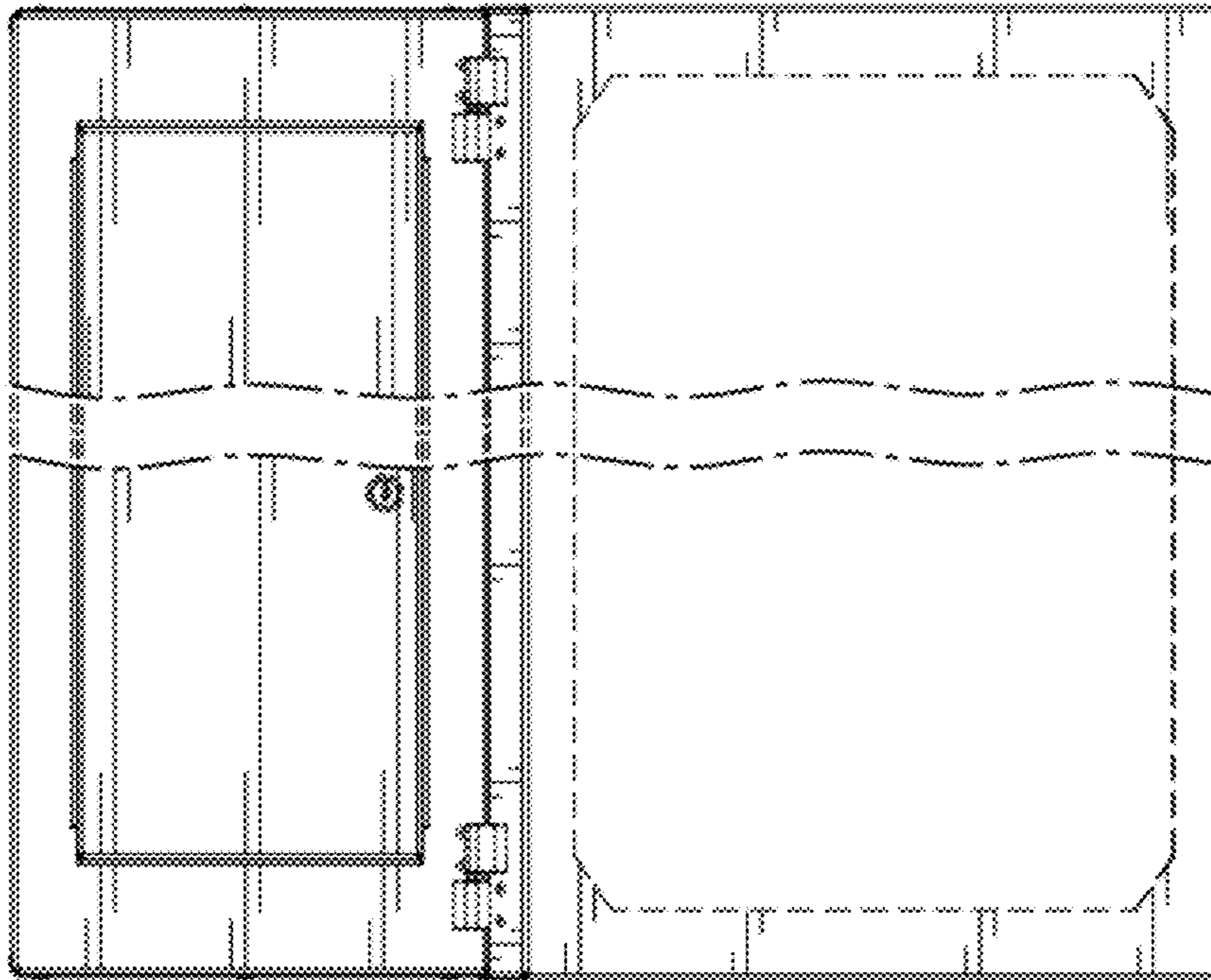


FIG. 4

FIG. 5



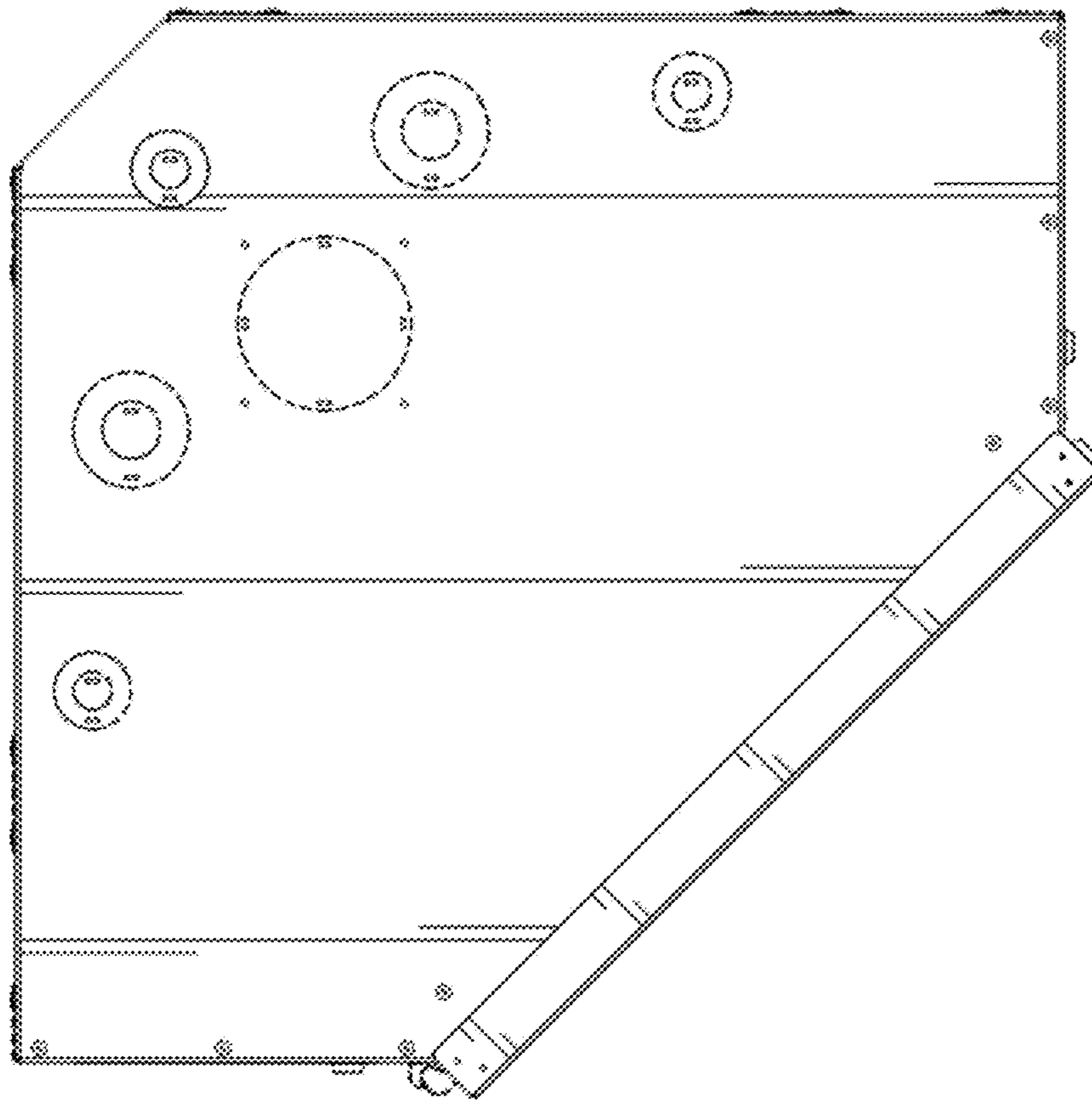


FIG. 6

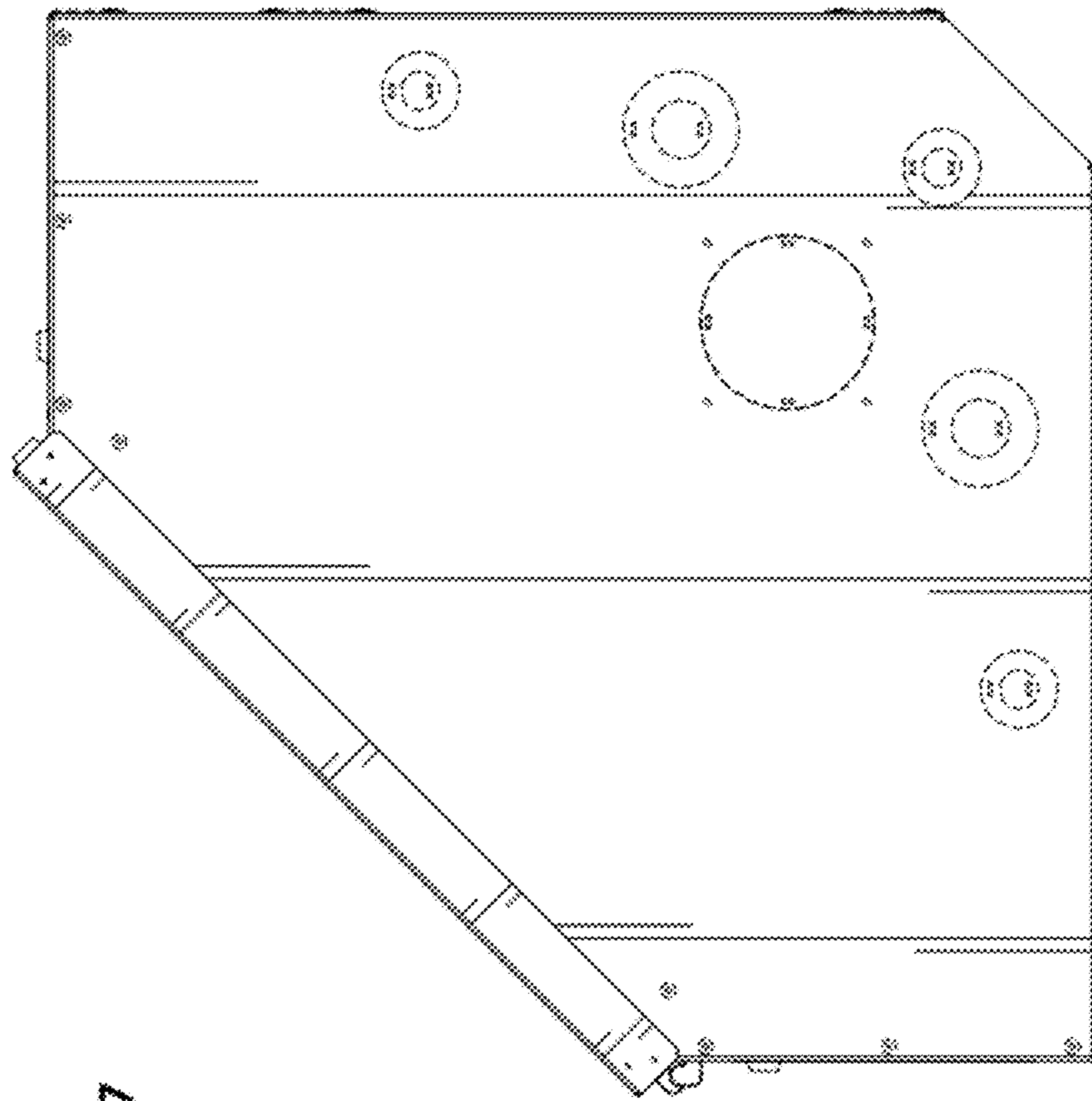


FIG. 7