



US00D672336S

(12) **United States Design Patent**
Lister et al.

(10) **Patent No.:** **US D672,336 S**
(45) **Date of Patent:** **** Dec. 11, 2012**

(54) **REMOTE CONTROLLER**
(75) Inventors: **Jonathan Timothy Lister**, Copenhagen S (DK); **Nicola Girotti**, Copenhagen O (DK); **Mads Sukhdev Hindhede**, Frederiksberg (DK); **Eskild Timme Hansen**, Copenhagen (DK)

(73) Assignee: **CISCO Technology, Inc.**, San Jose, CA (US)

(**) Term: **14 Years**

(21) Appl. No.: **29/391,912**

(22) Filed: **May 13, 2011**

(51) **LOC (9) Cl.** **14-03**

(52) **U.S. Cl.** **D14/218**

(58) **Field of Classification Search** D14/218, D14/455; D13/168; D21/566; D10/104, D10/106; 345/169; 348/14.05, 114, 211.99, 348/734; 340/825.24; 341/22; 455/92, 95, 455/128, 151.1–151.4, 352, 355, FOR. 121; 700/65

See application file for complete search history.

(56) **References Cited**

U.S. PATENT DOCUMENTS

D306,519 S *	3/1990	Nakata	D3/206
D374,858 S	10/1996	Chu		
D495,336 S	8/2004	Andre et al.		
D500,309 S *	12/2004	Borsboom	D14/218
D535,614 S	1/2007	Majanen et al.		
D539,814 S *	4/2007	Andre et al.	D14/203.3
D551,658 S	9/2007	Hussaini et al.		
D558,739 S	1/2008	Andre et al.		
D560,230 S *	1/2008	Yagi	D14/496
D570,876 S *	6/2008	Lee	D14/496
D573,957 S *	7/2008	Ledbetter et al.	D13/168
D575,304 S *	8/2008	Andre et al.	D14/496
D580,953 S *	11/2008	Andre et al.	D14/496
D582,887 S	12/2008	Poandi		
D585,077 S *	1/2009	Sheba et al.	D14/496
D590,770 S	4/2009	Moss		

D592,677 S *	5/2009	Sheba et al.	D14/496
D596,621 S	7/2009	Andre et al.		
D596,623 S *	7/2009	Laine	D14/218
D597,090 S *	7/2009	Bemelmans	D14/341
7,580,255 B2	8/2009	Crooijmans et al.		
D604,713 S *	11/2009	Andre et al.	D14/203.3
D610,128 S	2/2010	Andre et al.		
D620,456 S *	7/2010	Akana et al.	D13/168
D621,371 S *	8/2010	Sheppard et al.	D13/168
D622,695 S *	8/2010	Ao	D14/203.7
D626,552 S *	11/2010	Andre et al.	D14/341
D626,940 S	11/2010	Andre et al.		
D631,851 S *	2/2011	Smith et al.	D13/168
D636,752 S *	4/2011	Liao et al.	D14/138 G
D656,496 S *	3/2012	Andre et al.	D14/341
2006/0250764 A1	11/2006	Howarth et al.		

OTHER PUBLICATIONS

Notice of Allowance, U.S. Appl. No. 29/391,911 dated Nov. 23, 2011.

* cited by examiner

Primary Examiner — John Windmuller

(74) *Attorney, Agent, or Firm* — Patterson & Sheridan, LLP.

(57) **CLAIM**

The ornamental design for an remote controller, as shown and described.

DESCRIPTION

FIG. 1 is a perspective view of an remote controller showing our new design.

FIG. 2 is a front view thereof.

FIG. 3 is a top view thereof.

FIG. 4 is a rear view thereof.

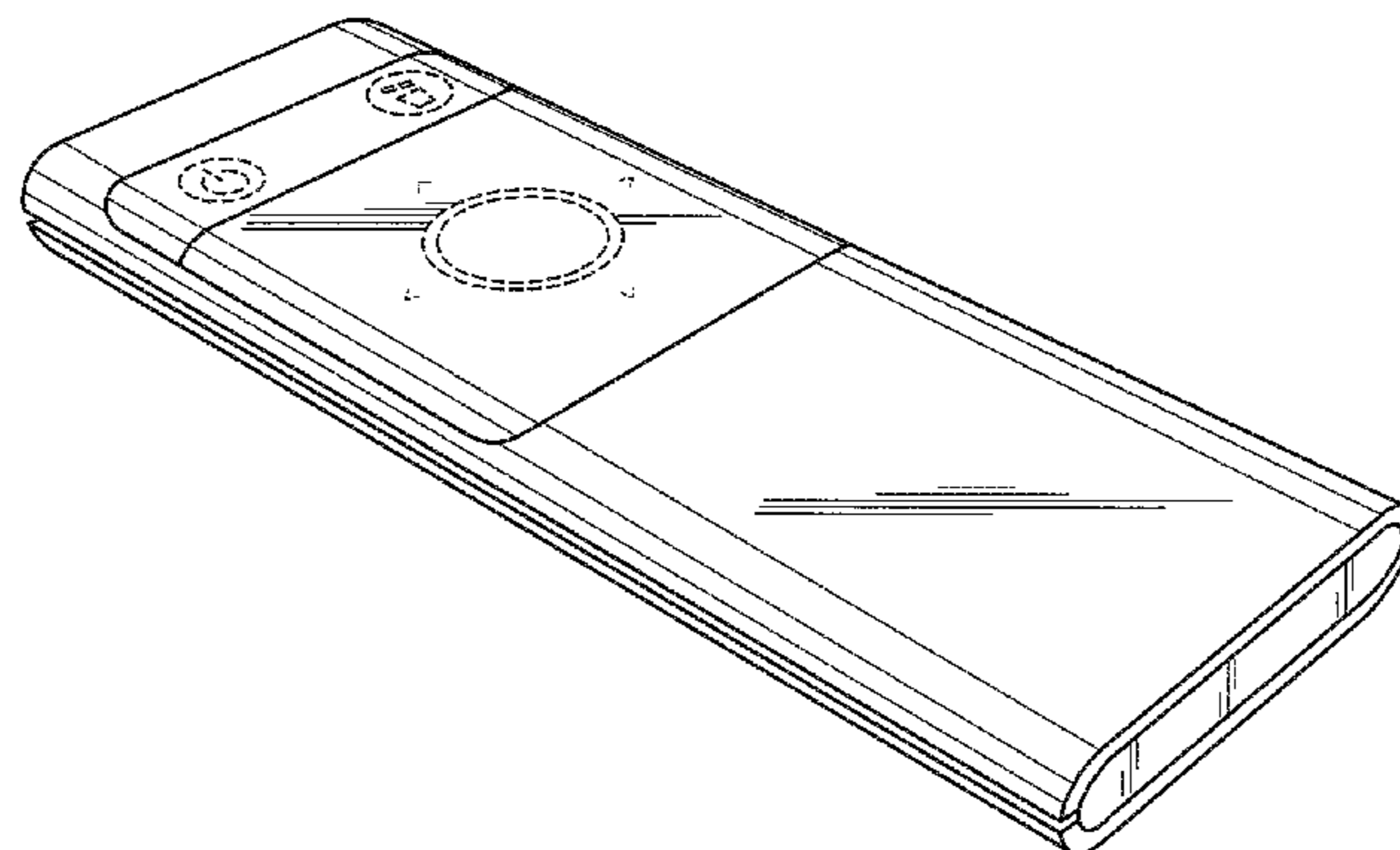
FIG. 5 is a right side view thereof.

FIG. 6 is a left side view thereof; and,

FIG. 7 is a bottom view thereof.

The broken lines shown in the figures form no part of the claimed design and the shade lines in the figures show contour and not surface ornamentation.

1 Claim, 3 Drawing Sheets



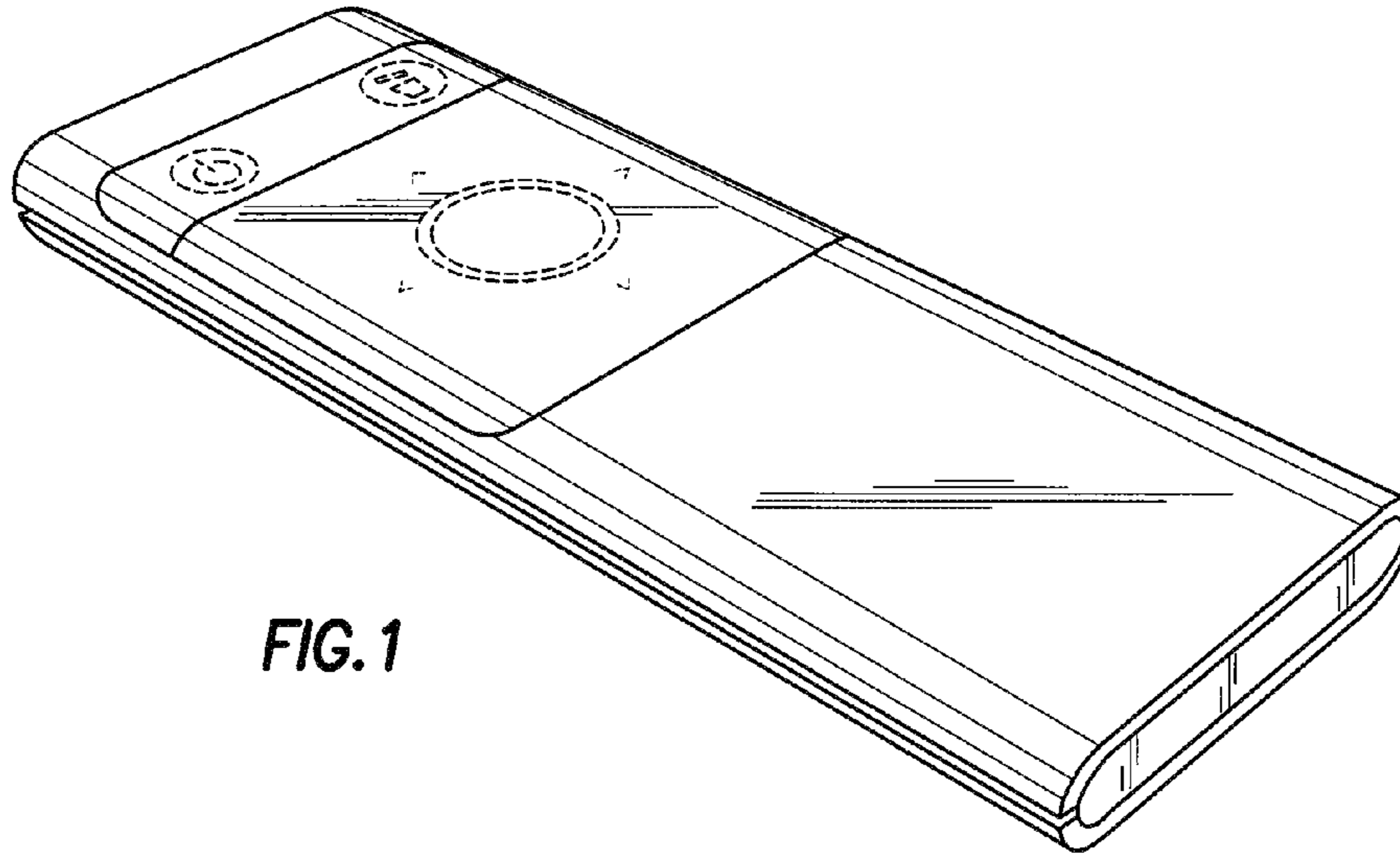


FIG. 1

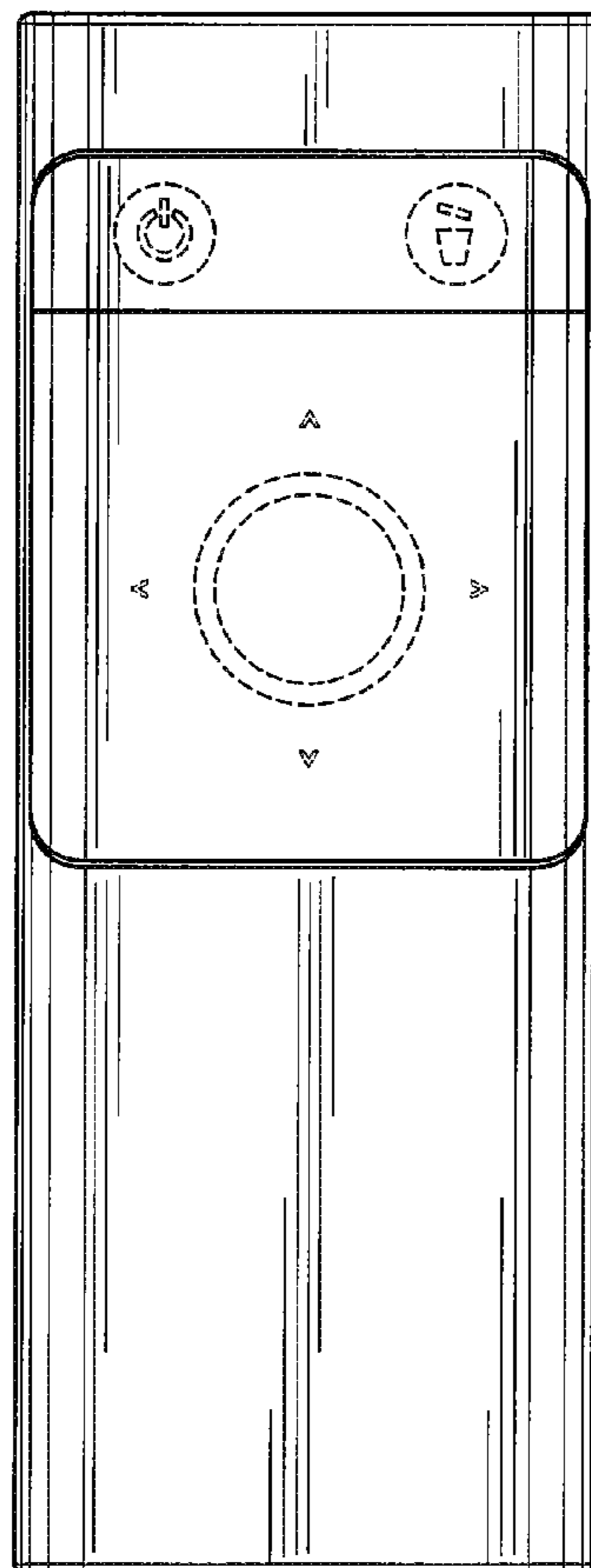


FIG. 2

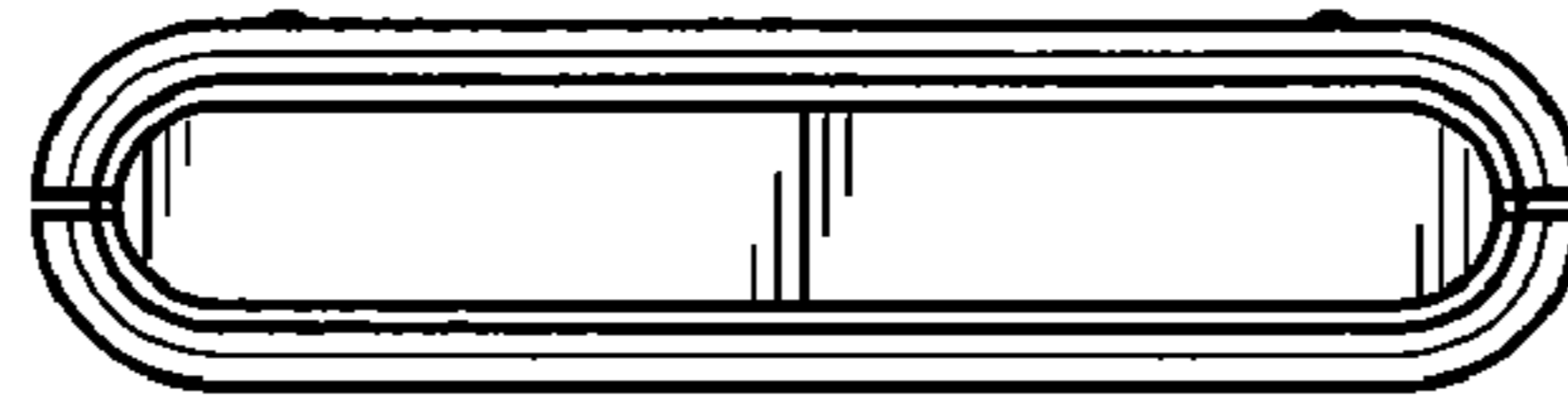


FIG.3

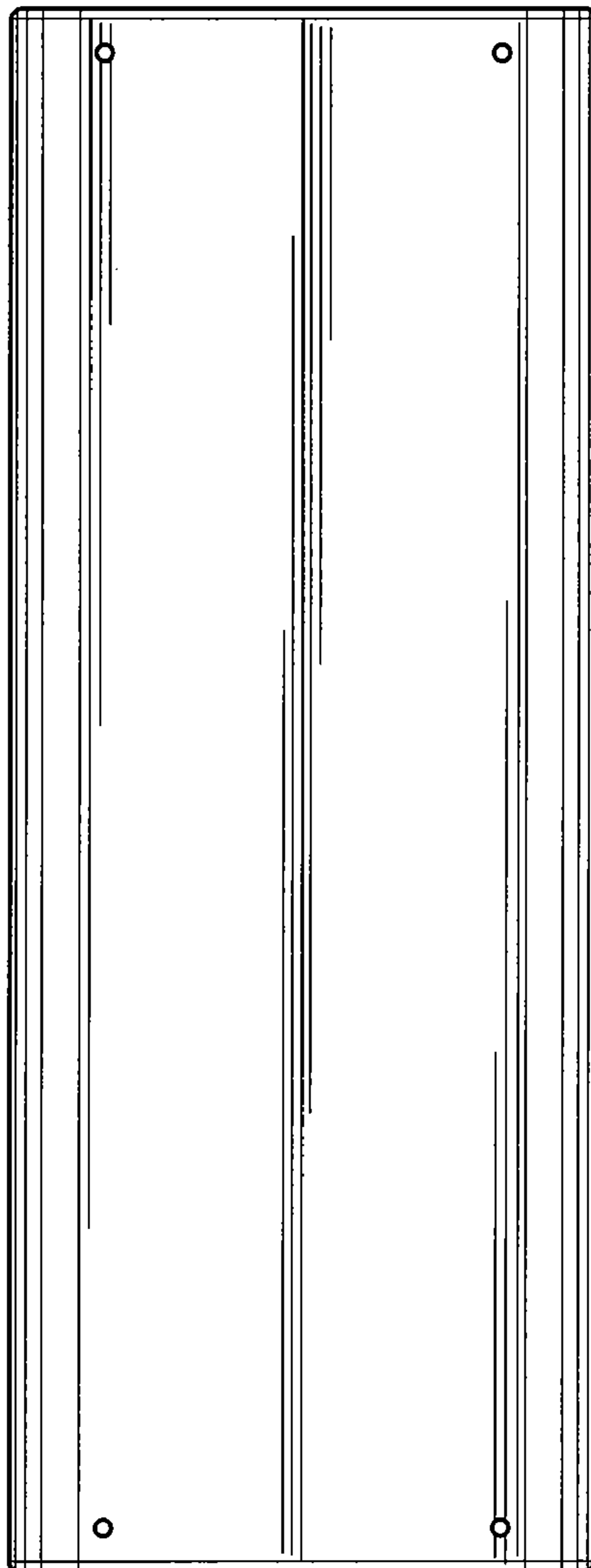


FIG.4



FIG. 5

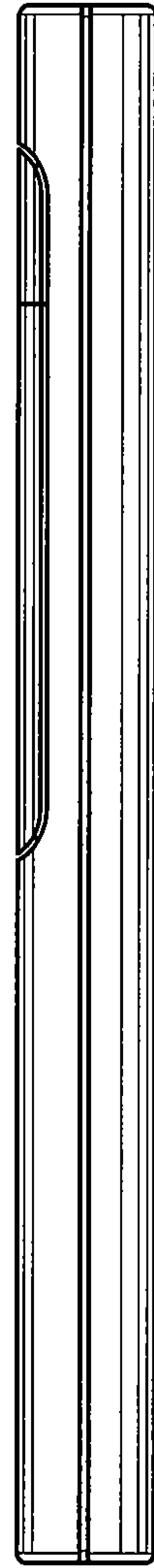


FIG. 6

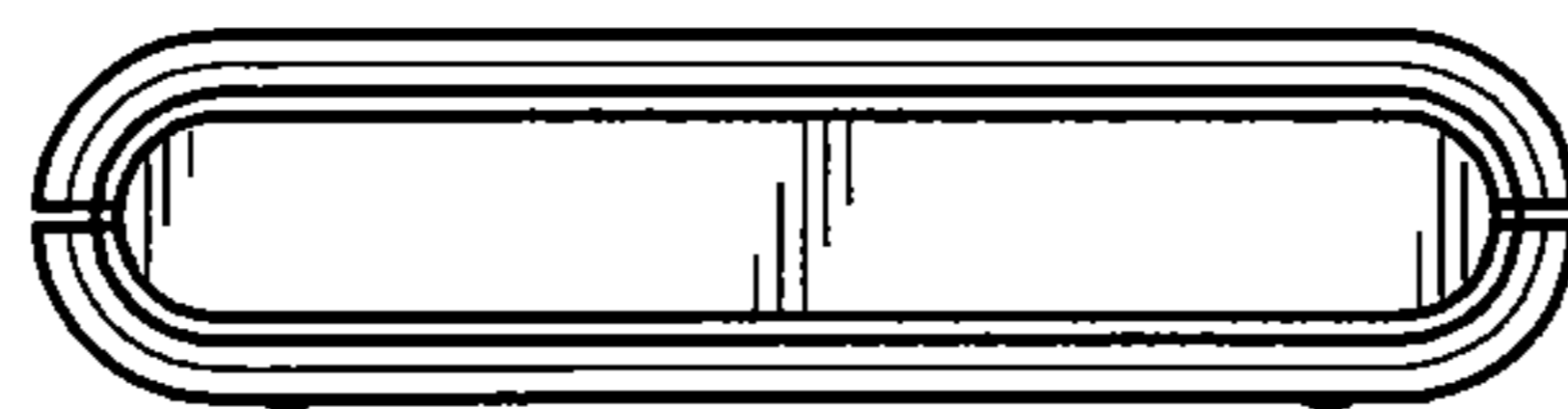


FIG. 7