



US00D672334S

(12) **United States Design Patent**  
**Tzeng**

(10) **Patent No.:** **US D672,334 S**

(45) **Date of Patent:** **\*\* Dec. 11, 2012**

(54) **SPEAKER**

(75) Inventor: **Guan-Hua Tzeng**, New Taipei (TW)

(73) Assignee: **Cheng Uei Precision Industry Co., Ltd.**, New Taipei (TW)

(\*\*) Term: **14 Years**

(21) Appl. No.: **29/408,637**

(22) Filed: **Dec. 14, 2011**

(51) **LOC (9) Cl.** ..... **14-03**

(52) **U.S. Cl.** ..... **D14/212**

(58) **Field of Classification Search** ..... D14/172,  
D14/204, 207, 210–216; 181/143, 144, 147,  
181/148, 150, 153, 157, 198, 199; 381/300–303,  
381/306, 332, 333, 336, 345, 361–364, 386–388  
See application file for complete search history.

(56) **References Cited**

**U.S. PATENT DOCUMENTS**

D501,841 S *	2/2005	Hsu	.....	D14/171
D534,897 S *	1/2007	Bhakta	.....	D14/214
D535,976 S *	1/2007	Ng et al.	.....	D14/214
D559,832 S *	1/2008	Poandl	.....	D14/212

D573,134 S *	7/2008	Milks et al.	.....	D14/214
D594,845 S *	6/2009	Skurdal	.....	D14/168
D619,116 S *	7/2010	Skurdal	.....	D14/168
D641,338 S *	7/2011	Chen	.....	D14/209.1
D645,844 S *	9/2011	McManigal	.....	D14/214

\* cited by examiner

*Primary Examiner* — Keli L Hill

(74) *Attorney, Agent, or Firm* — Lin & Associates IP, Inc.

(57) **CLAIM**

The ornamental design for a speaker, as shown and described.

**DESCRIPTION**

FIG. 1 is a perspective view of a speaker showing my new design;

FIG. 2 is a front elevational view thereof;

FIG. 3 is a rear elevational view thereof;

FIG. 4 is a left side elevational view thereof;

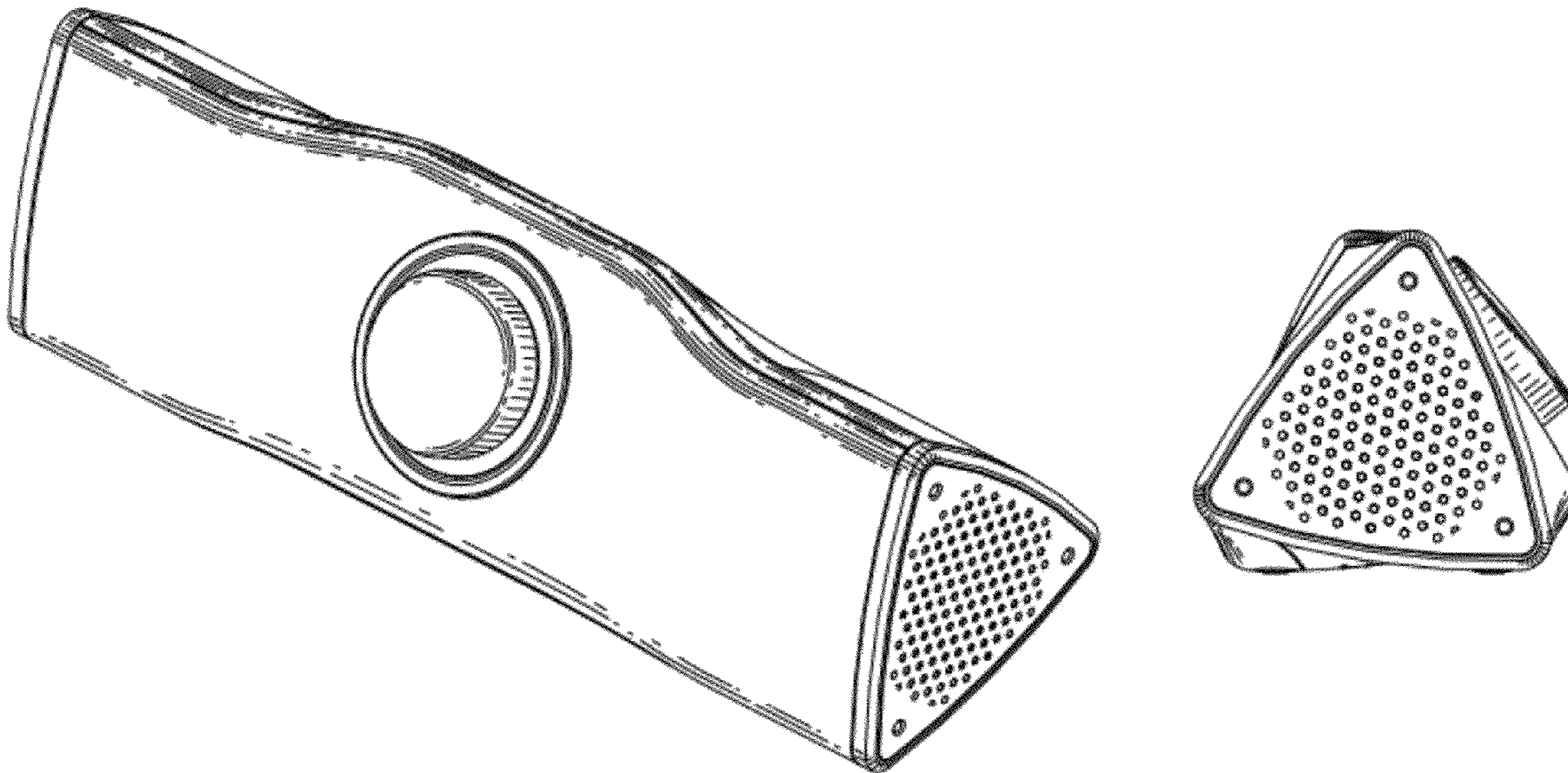
FIG. 5 is a right side elevational view thereof;

FIG. 6 is a top plan view thereof;

FIG. 7 is a bottom plan view thereof; and,

FIG. 8 is another perspective view of the speaker showing my new design.

**1 Claim, 8 Drawing Sheets**



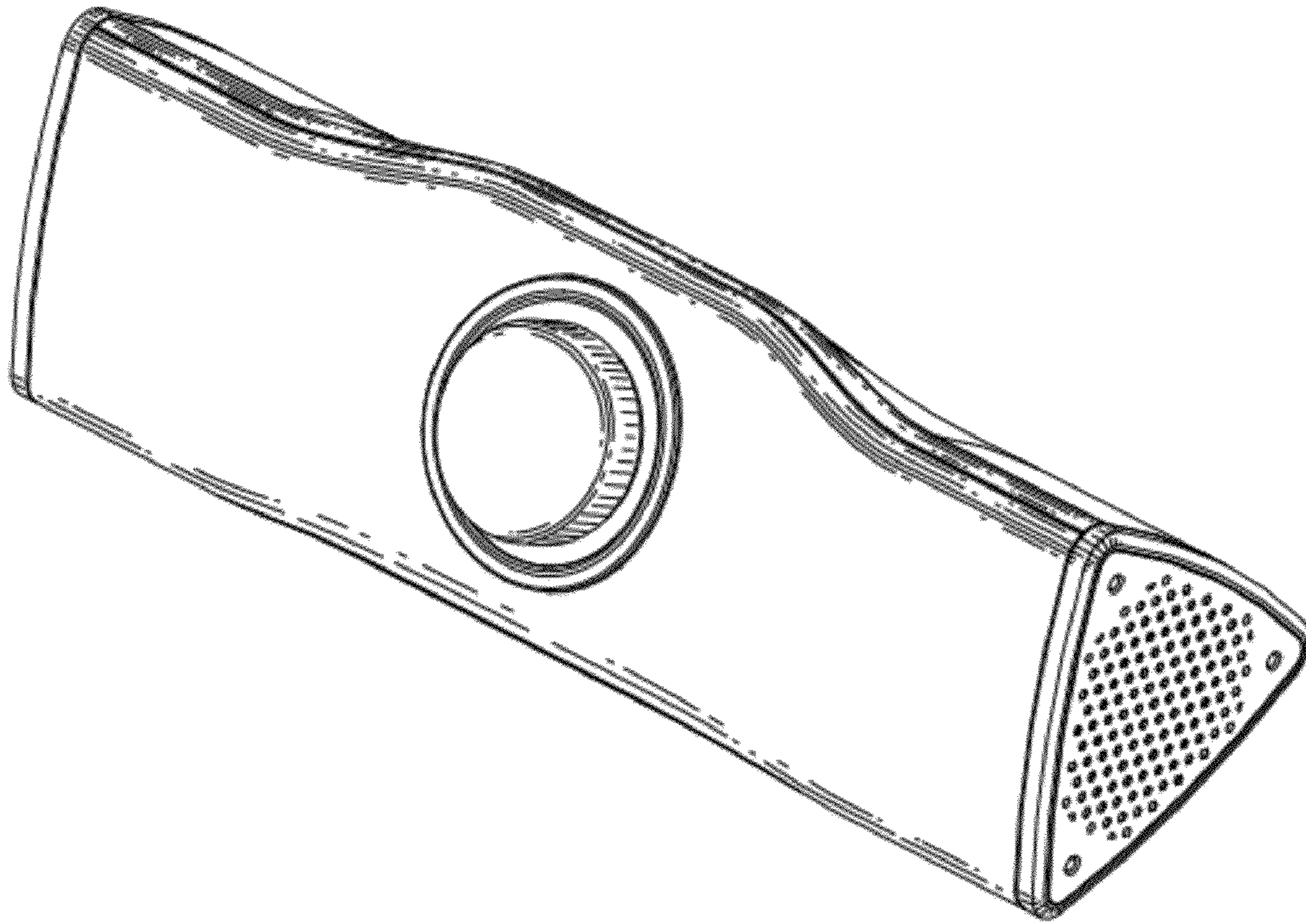


FIG. 1

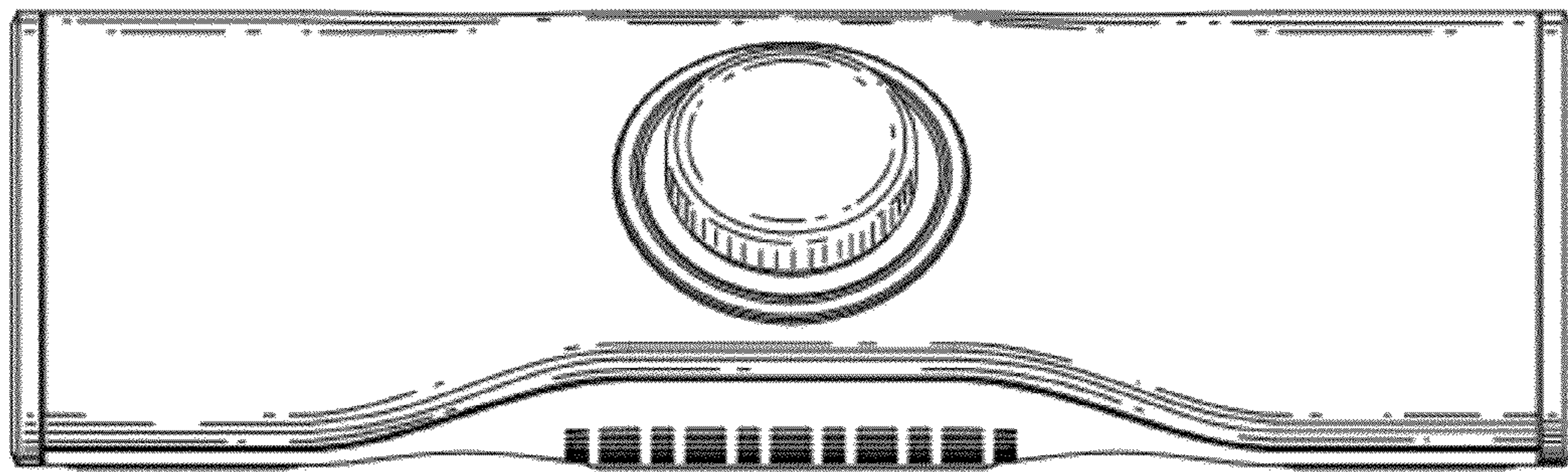


FIG. 2

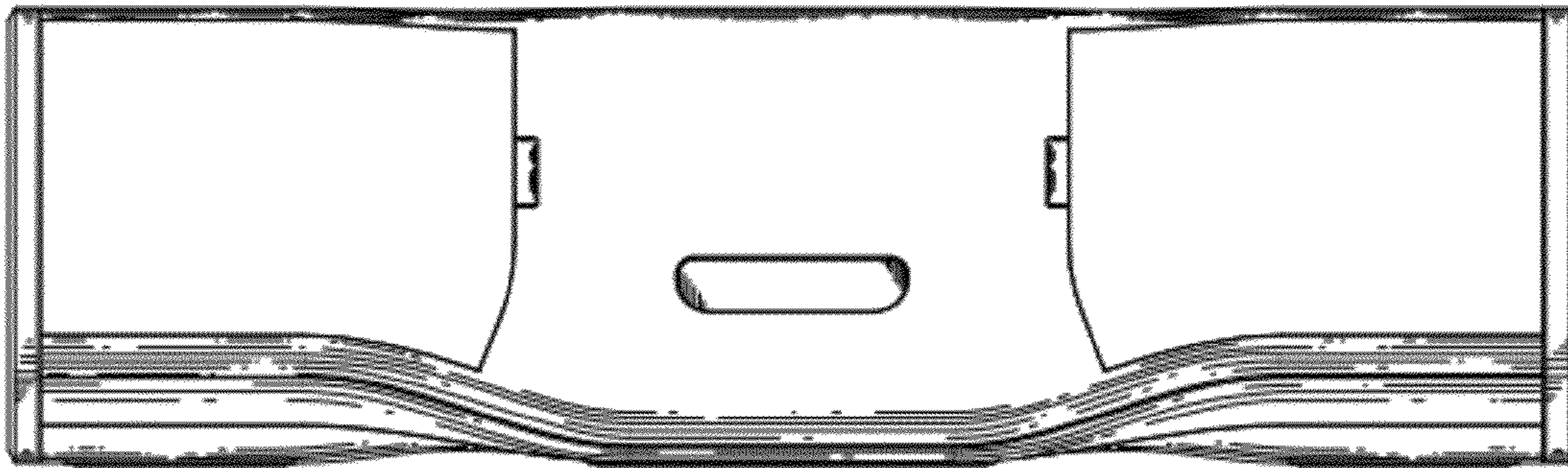


FIG. 3

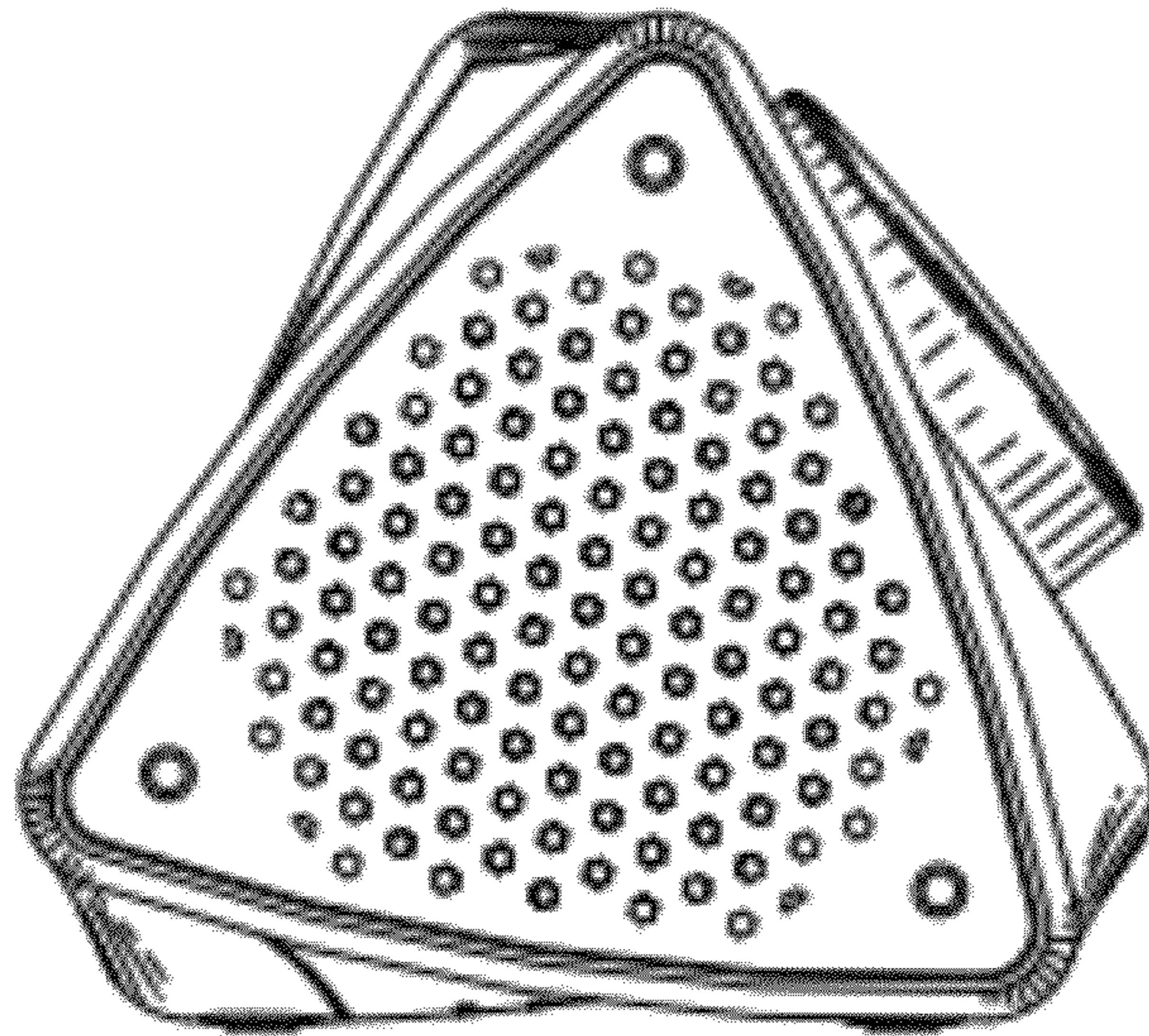


FIG. 4

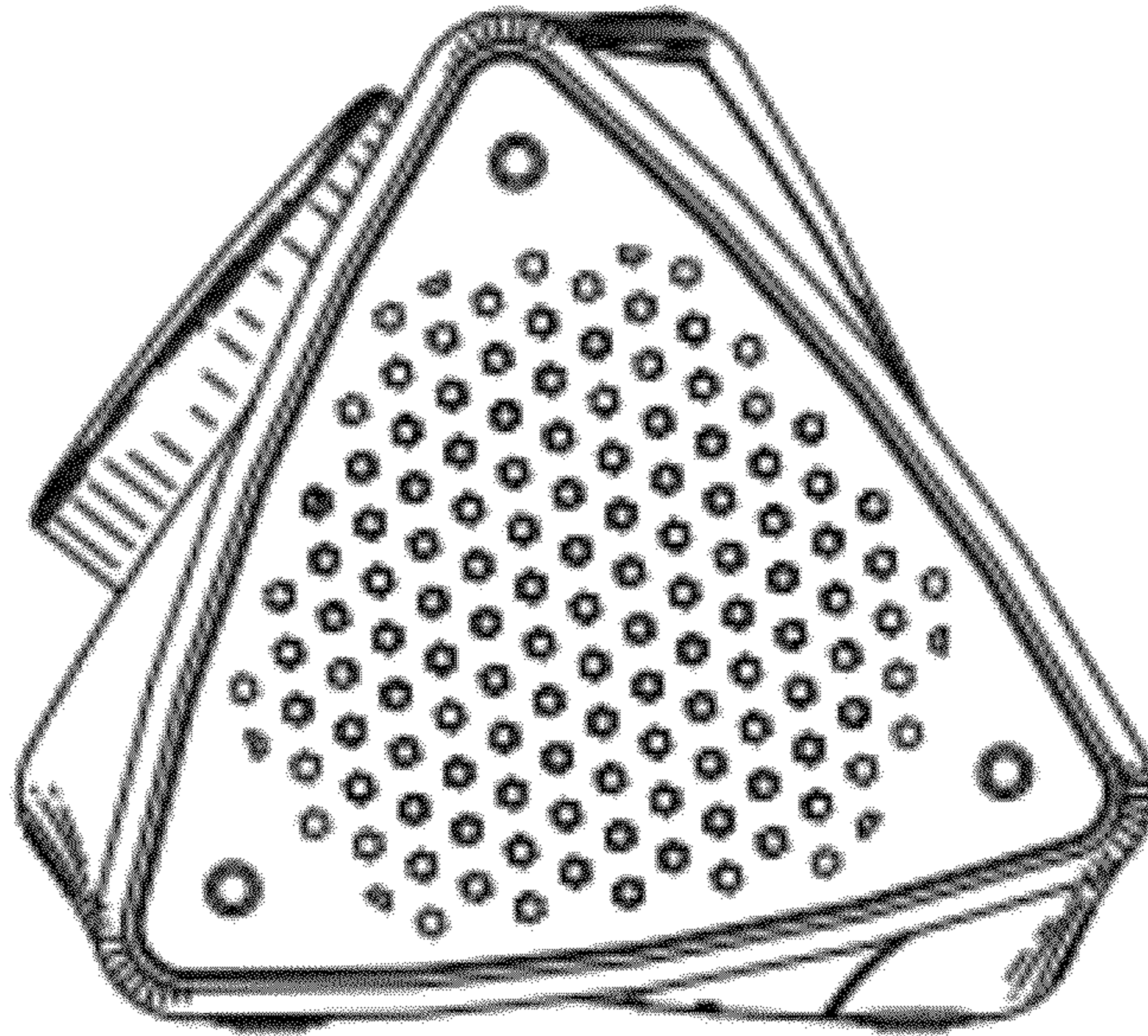


FIG. 5

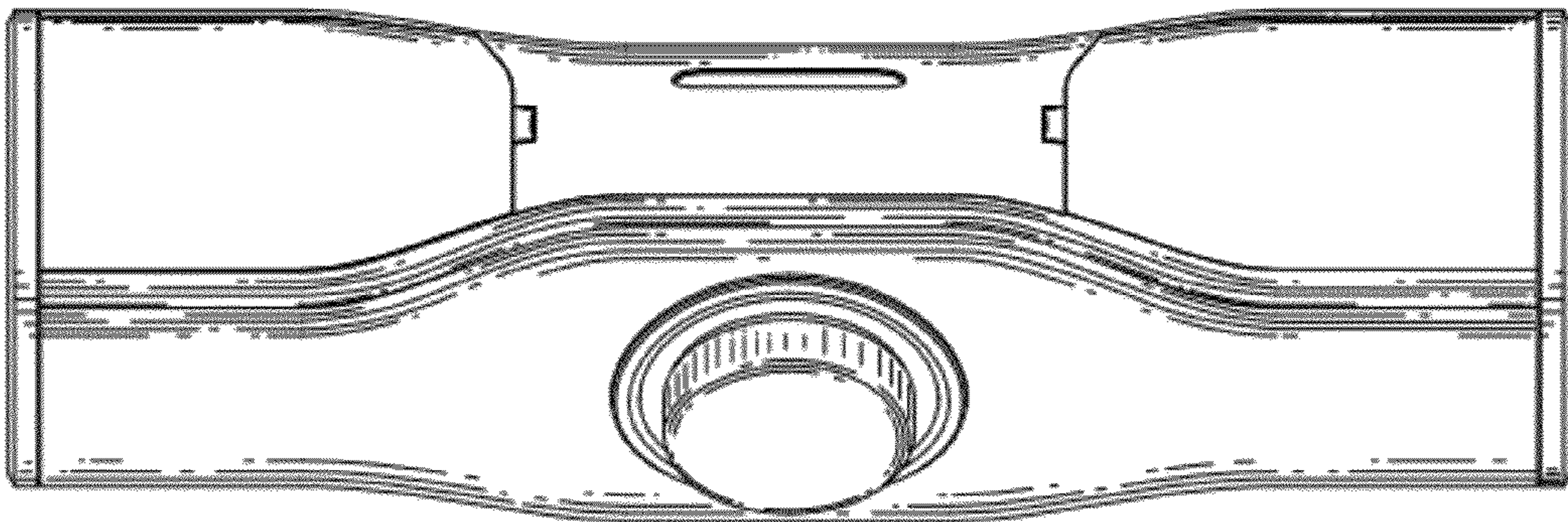


FIG. 6

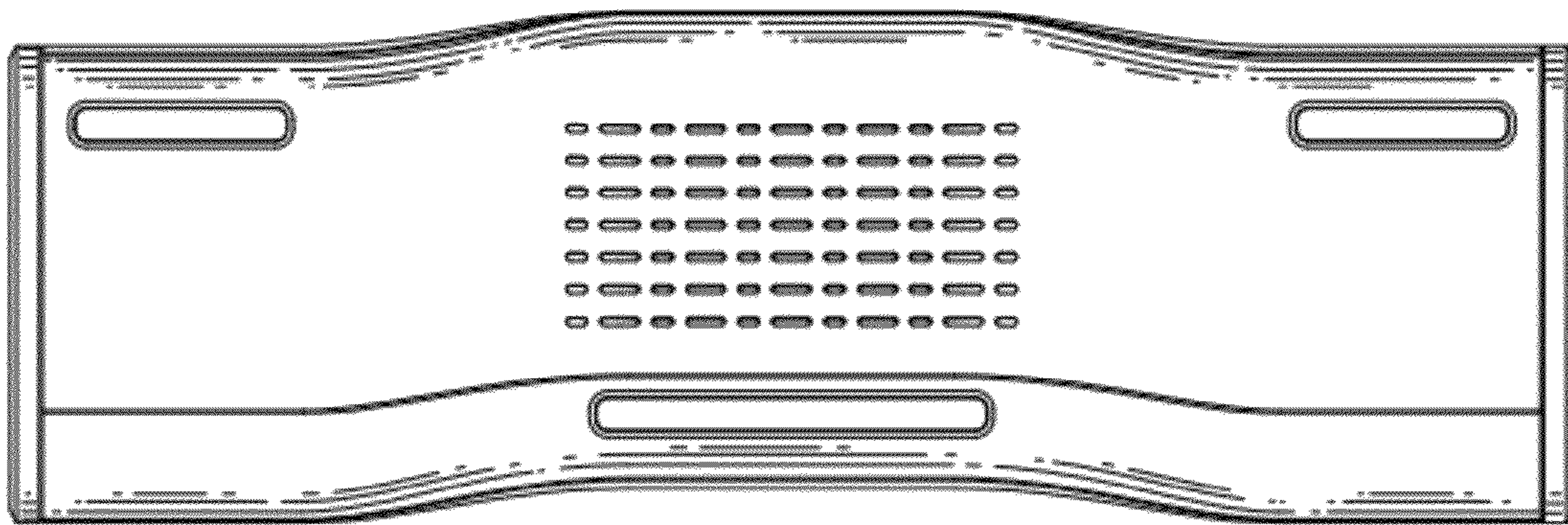


FIG. 7



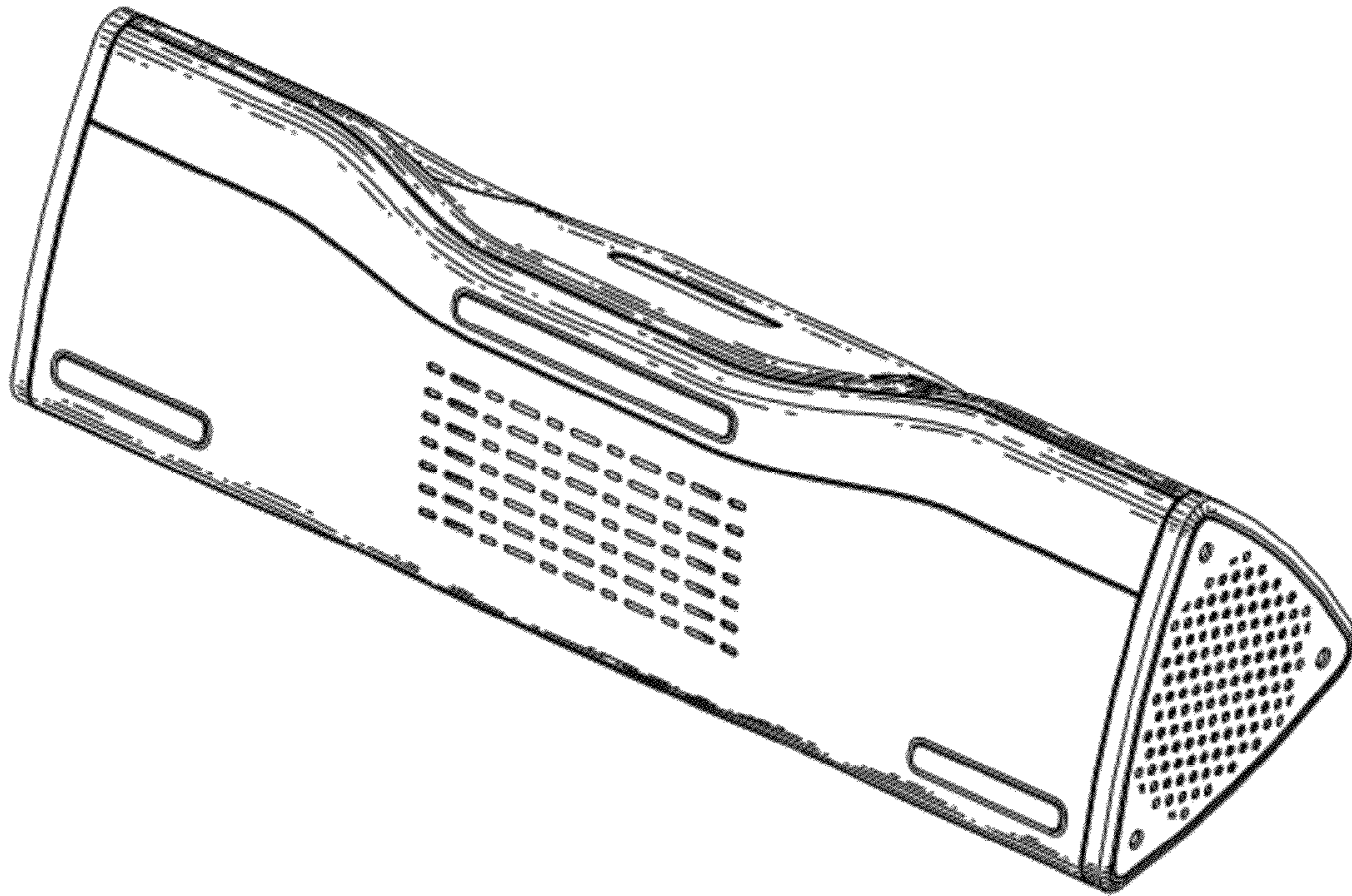


FIG. 8