



US00D672333S

(12) **United States Design Patent**  
**Lin et al.**

(10) **Patent No.:** **US D672,333 S**  
(45) **Date of Patent:** **\*\* Dec. 11, 2012**

(54) **SPEAKER**

(75) Inventors: **You-Ruei Lin**, New Taipei (TW);  
**Sheng-Shan Chen**, New Taipei (TW)

(73) Assignee: **Cheng Uei Precision Industry Co., Ltd.**, New Taipei (TW)

(\*\*) Term: **14 Years**

(21) Appl. No.: **29/397,689**

(22) Filed: **Jul. 19, 2011**

(51) **LOC (9) Cl.** ..... **14-03**

(52) **U.S. Cl.** ..... **D14/212**

(58) **Field of Classification Search** ..... D14/172,  
D14/204, 207, 210–216; 181/143, 144, 147,  
181/148, 150, 153, 157, 198, 199; 381/300–303,  
381/306, 332, 333, 336, 345, 361–364, 386–388  
See application file for complete search history.

(56) **References Cited**

**U.S. PATENT DOCUMENTS**

D330,376 S \* 10/1992 Kawaguchi ..... D14/212  
D501,841 S \* 2/2005 Hsu ..... D14/171

D534,897 S \* 1/2007 Bhakta ..... D14/214  
D559,832 S \* 1/2008 Poandl ..... D14/212  
D573,134 S \* 7/2008 Milks et al. .... D14/214  
D594,845 S \* 6/2009 Skurdal ..... D14/168  
D619,116 S \* 7/2010 Skurdal ..... D14/168

\* cited by examiner

*Primary Examiner* — Keli L Hill

(74) *Attorney, Agent, or Firm* — Lin & Associates IP, Inc.

(57) **CLAIM**

The ornamental design for a speaker, as shown and described.

**DESCRIPTION**

FIG. 1 is a perspective view of a speaker showing our new design;

FIG. 2 is a front elevational view thereof;

FIG. 3 is a rear elevational view thereof;

FIG. 4 is a left side elevational view thereof;

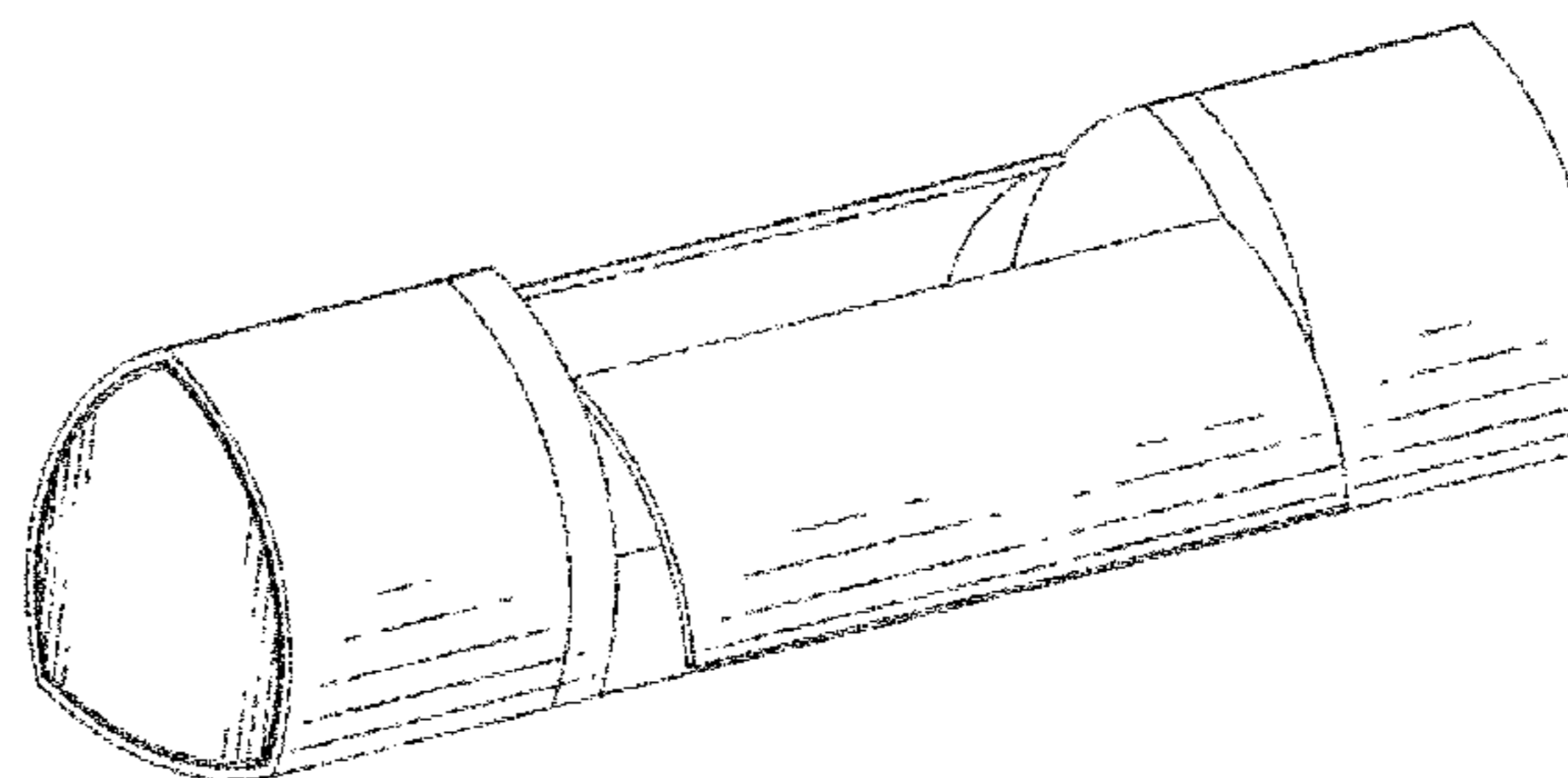
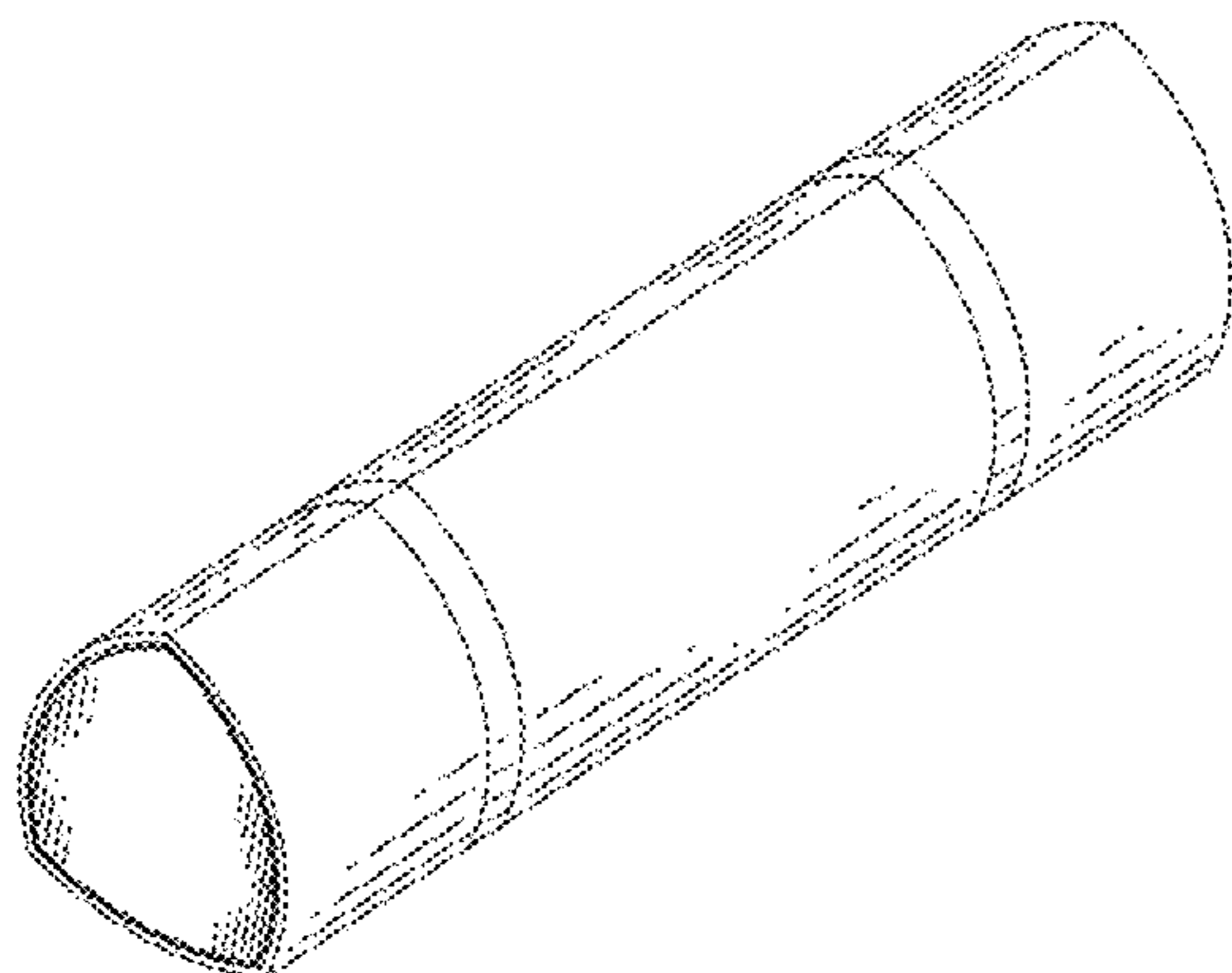
FIG. 5 is a right side elevational view thereof;

FIG. 6 is a top plan view thereof;

FIG. 7 is a bottom plan view thereof; and,

FIG. 8 is a perspective view showing the speaker in an opening state.

**1 Claim, 8 Drawing Sheets**



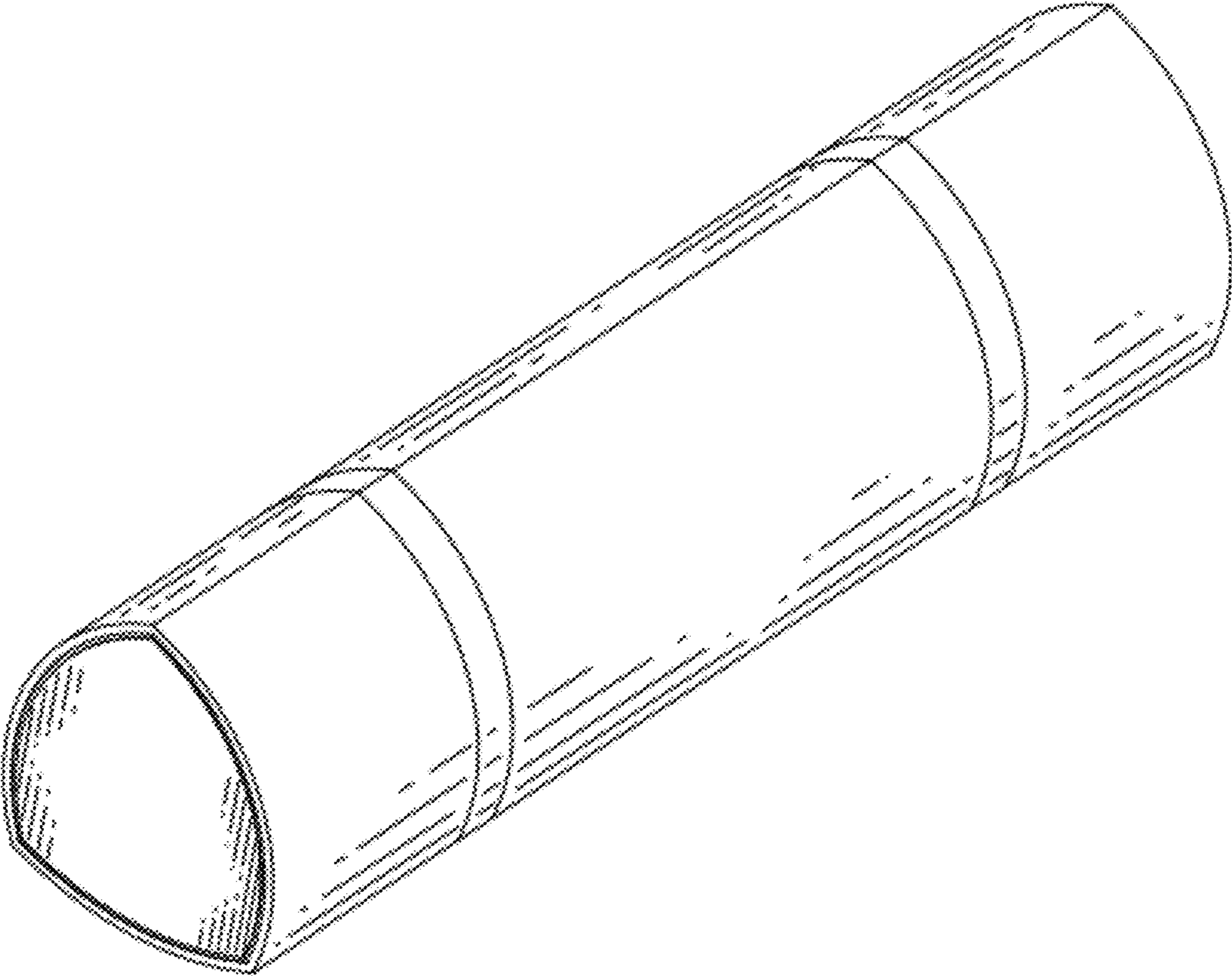


FIG. 1

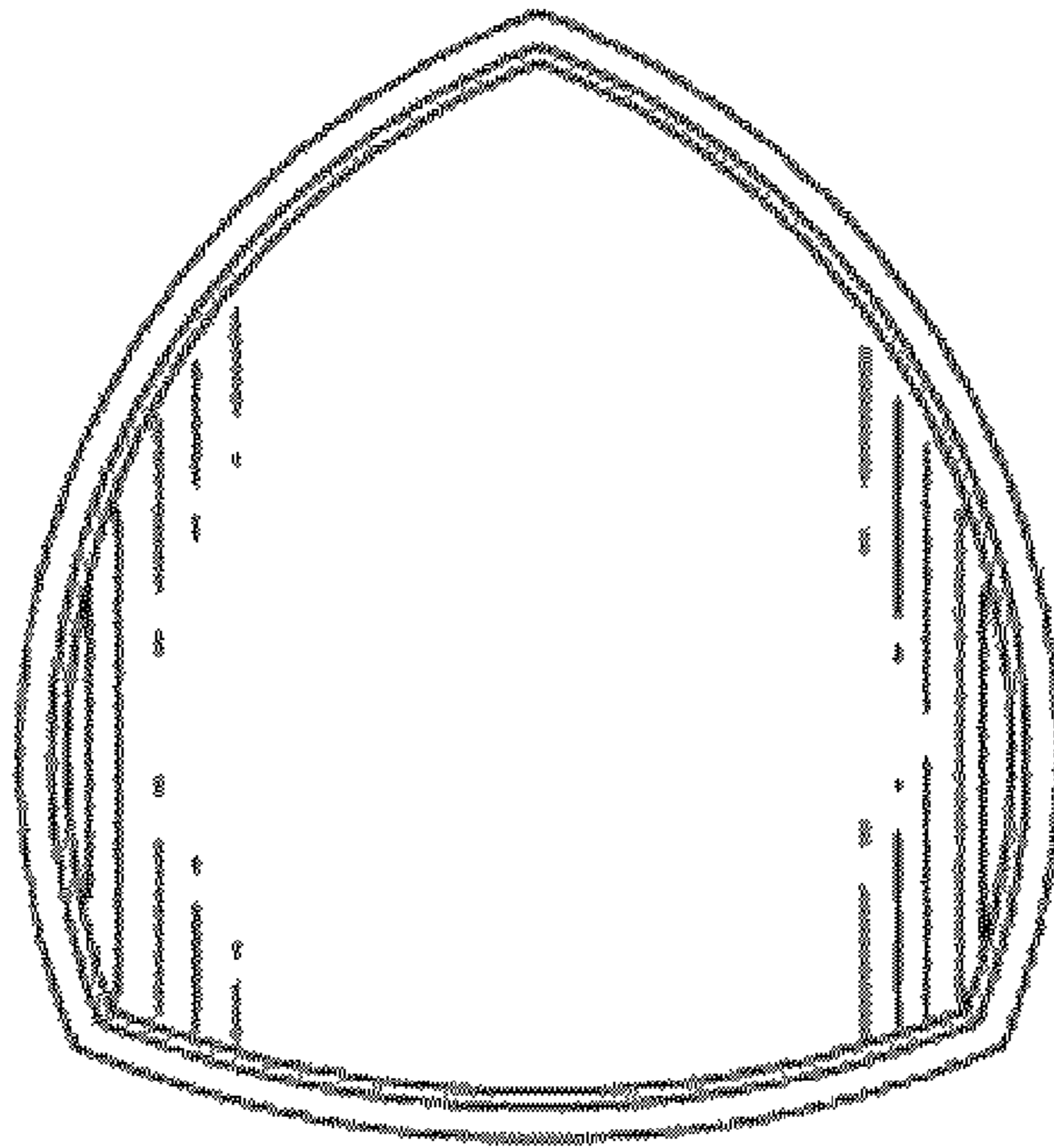


FIG. 2

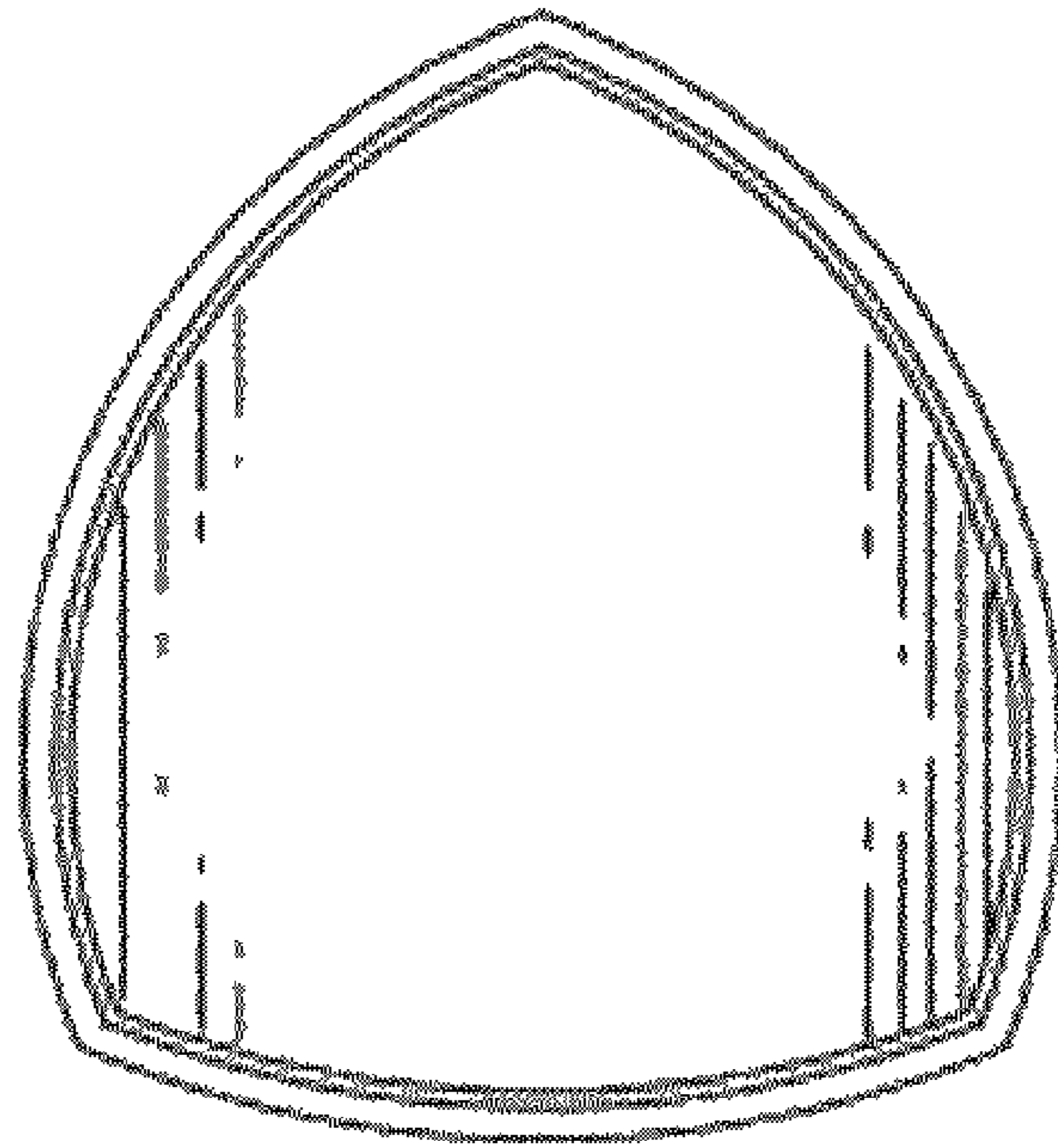


FIG. 3

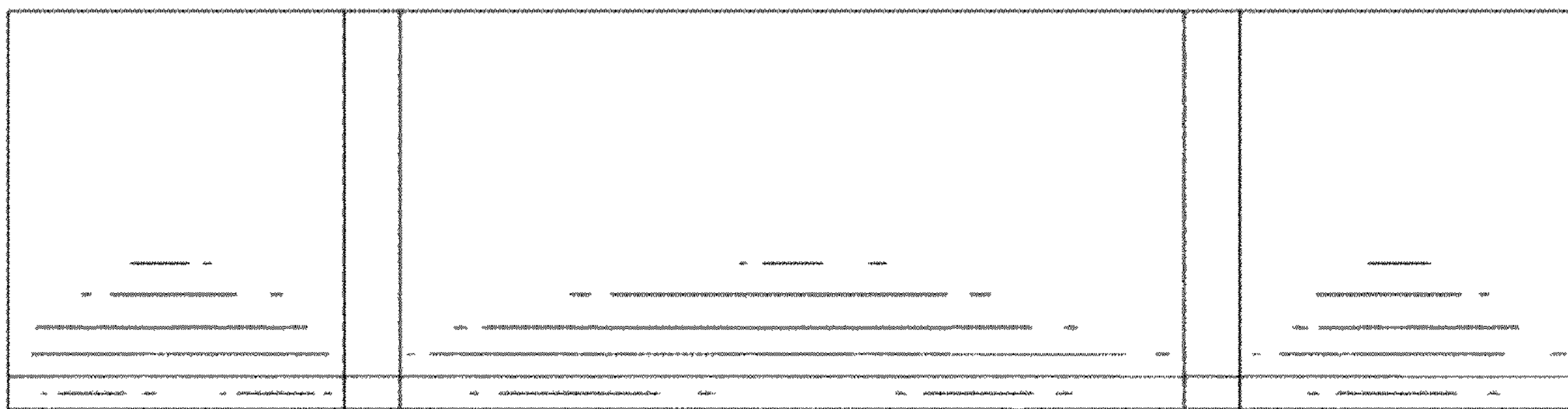


FIG. 4

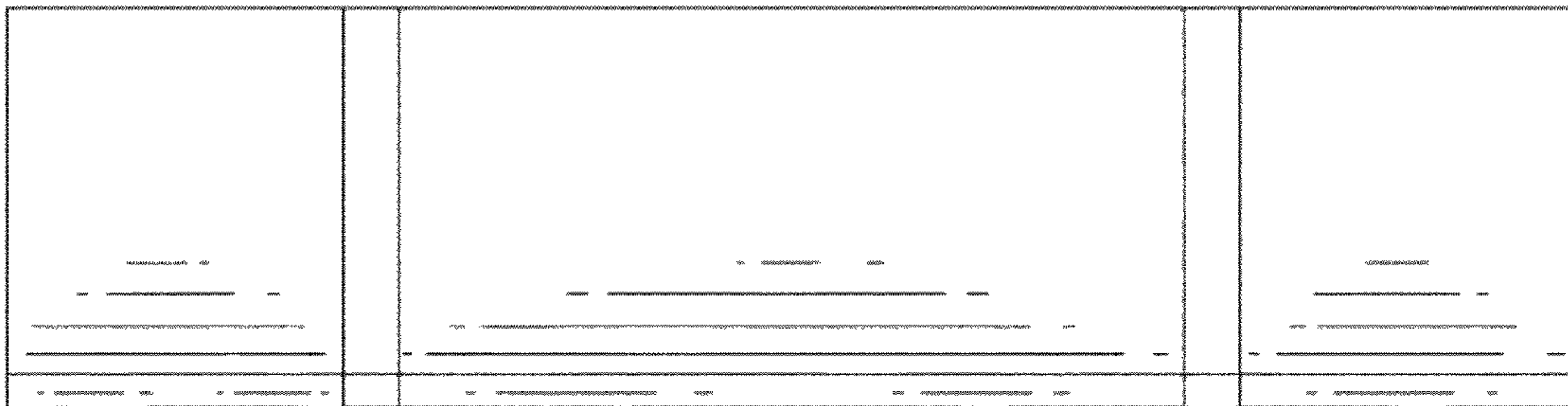


FIG. 5



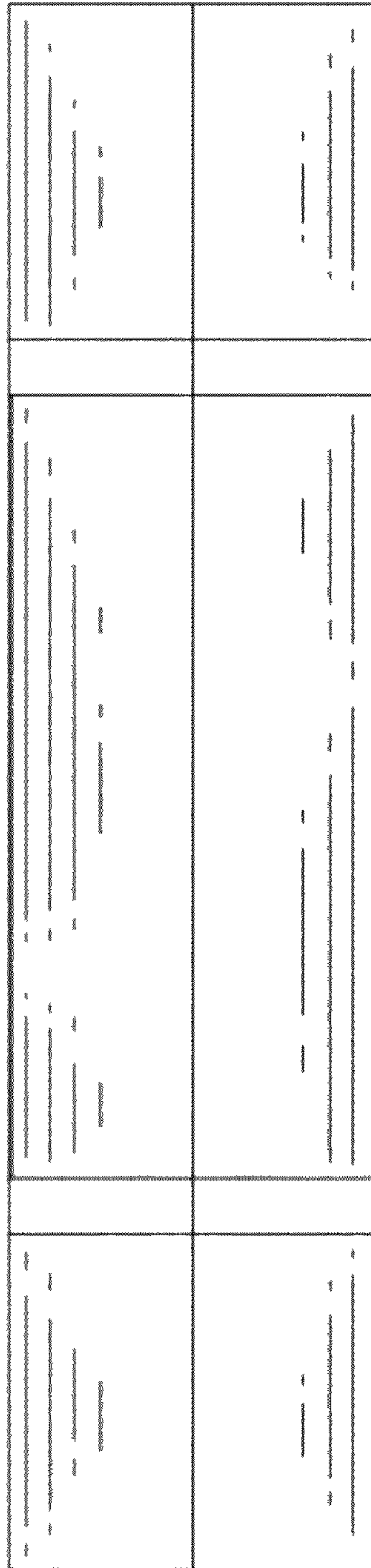


FIG. 6

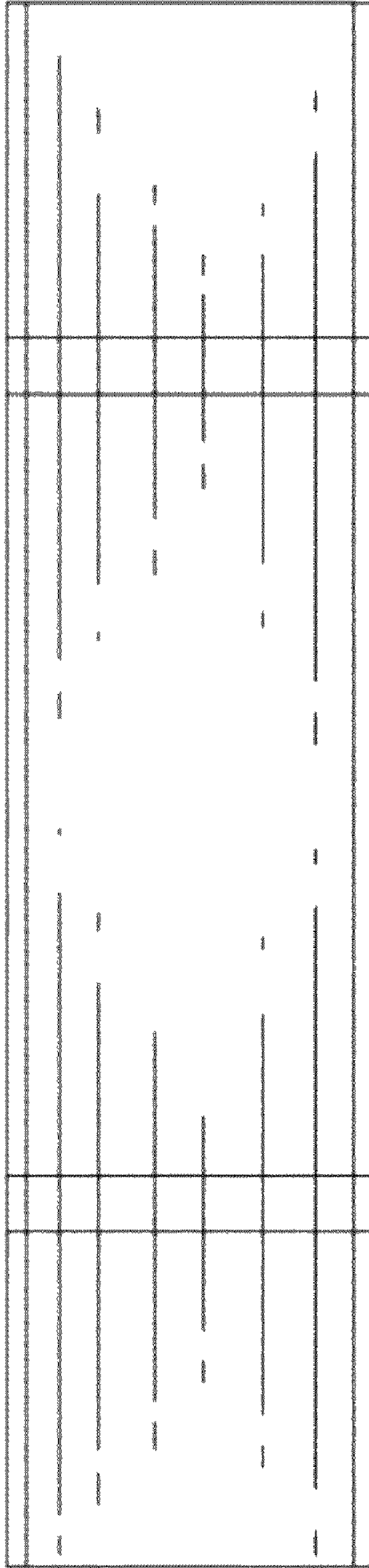


FIG. 7



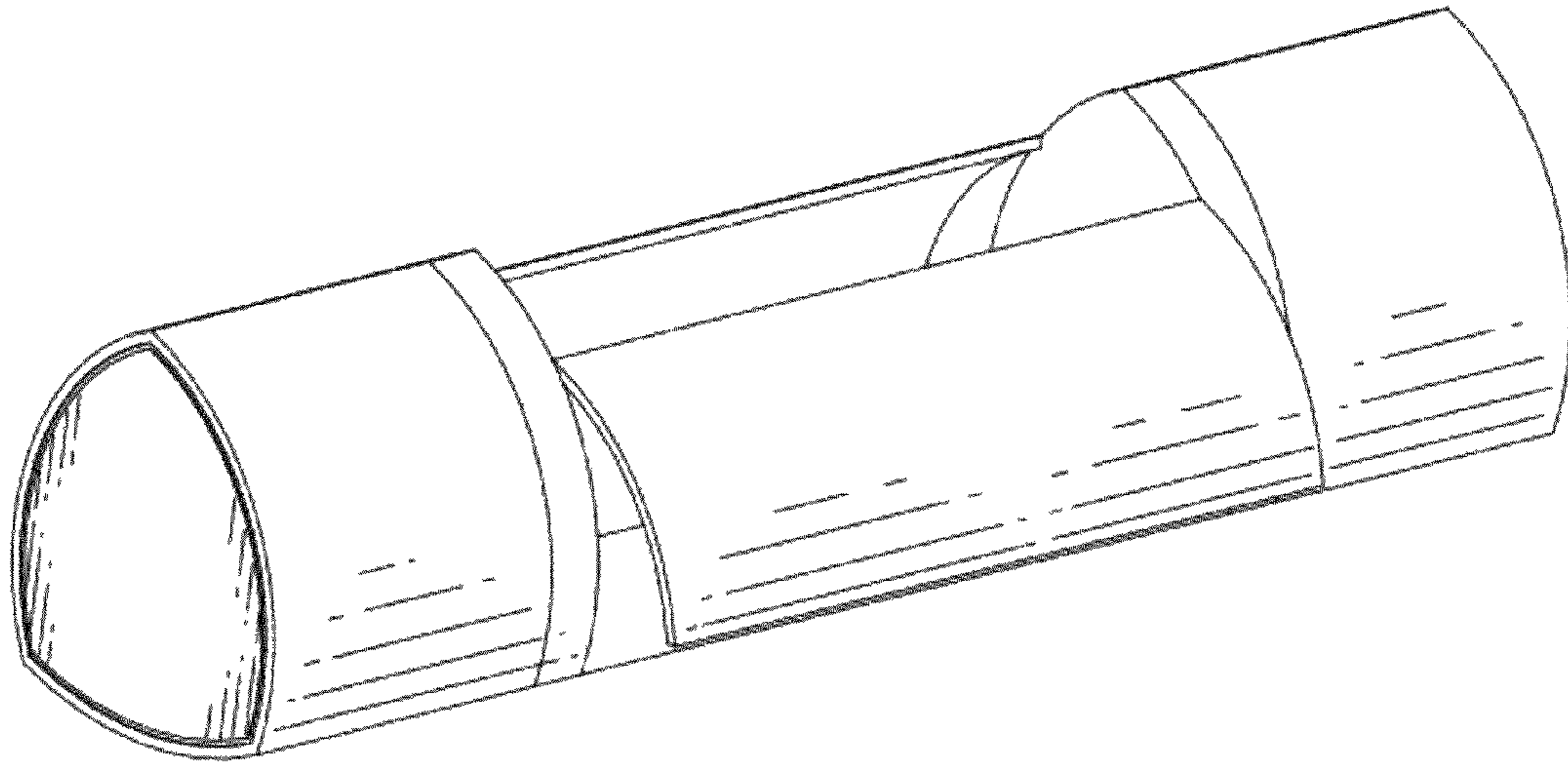


FIG. 8