



US00D672332S

(12) **United States Design Patent**  
**Aoki**

(10) **Patent No.:** **US D672,332 S**  
(45) **Date of Patent:** **\*\* Dec. 11, 2012**

(54) **CONNECTOR**

(75) Inventor: **Ryosaku Aoki**, Tokyo (JP)

(73) Assignee: **Sony Corporation**, Tokyo (JP)

(\*\*) Term: **14 Years**

(21) Appl. No.: **29/372,000**

(22) Filed: **Apr. 12, 2012**

**Related U.S. Application Data**

(63) Continuation of application No. 29/371,021, filed on Sep. 15, 2010, now Pat. No. Des. 659,679.

(51) **LOC (9) Cl.** ..... **14-01**

(52) **U.S. Cl.** ..... **D14/209.1**

(58) **Field of Classification Search** ..... D14/496,  
D14/435, 474, 168, 204, 209.1, 210–216,  
D14/171, 172, 137, 138; 181/143, 144, 147,  
181/148, 150–153, 157, 198, 199; 381/300–303,  
381/306, 332, 333, 336, 345, 361–364, 386–388;  
345/169, 905; D13/133, 146, 147, 154  
See application file for complete search history.

(56) **References Cited**

**U.S. PATENT DOCUMENTS**

6,141,417	A *	10/2000	Lopez et al.	379/446
6,328,595	B1 *	12/2001	Chang	439/490
D465,784	S	11/2002	Lin	
D484,094	S	12/2003	Xiao	
6,776,651	B1 *	8/2004	Liu	439/490
7,104,842	B1 *	9/2006	Huang et al.	439/607.55
7,128,607	B2 *	10/2006	Li	439/607.36
D540,816	S *	4/2007	Kim	D14/496
D570,830	S *	6/2008	Sukeguchi et al.	D14/217

D588,106	S	3/2009	Khoo et al.	
D588,578	S *	3/2009	Donovan et al.	D14/217
D589,031	S *	3/2009	Bentley et al.	D14/224
D589,940	S	4/2009	Jacobs et al.	
D593,070	S	5/2009	Komiyama	
D593,539	S	6/2009	Tse	
D597,076	S	7/2009	Komiyama	
D602,008	S *	10/2009	Bentley et al.	D14/224
D631,869	S *	2/2011	Yamamoto	D14/217
D645,847	S *	9/2011	Chau	D14/217

\* cited by examiner

*Primary Examiner* — Prabhakar Deshmukh

(74) *Attorney, Agent, or Firm* — Rader, Fishman & Grauer PLLC

(57) **CLAIM**

The ornamental design for a connector, as shown and described.

**DESCRIPTION**

FIG. 1 is a perspective view of a connector showing my new design;  
FIG. 2 is a front elevational view thereof;  
FIG. 3 is a rear elevational view thereof;  
FIG. 4 is a left side elevational view thereof;  
FIG. 5 is a right side elevational view thereof;  
FIG. 6 is a top plan view thereof; and,  
FIG. 7 is a bottom plan view thereof.  
Portions in broken lines are for illustrative purpose only and form no part of the claimed design. Dot-dash broken lines define the boundaries of, but not included in, the claimed design.

**1 Claim, 6 Drawing Sheets**

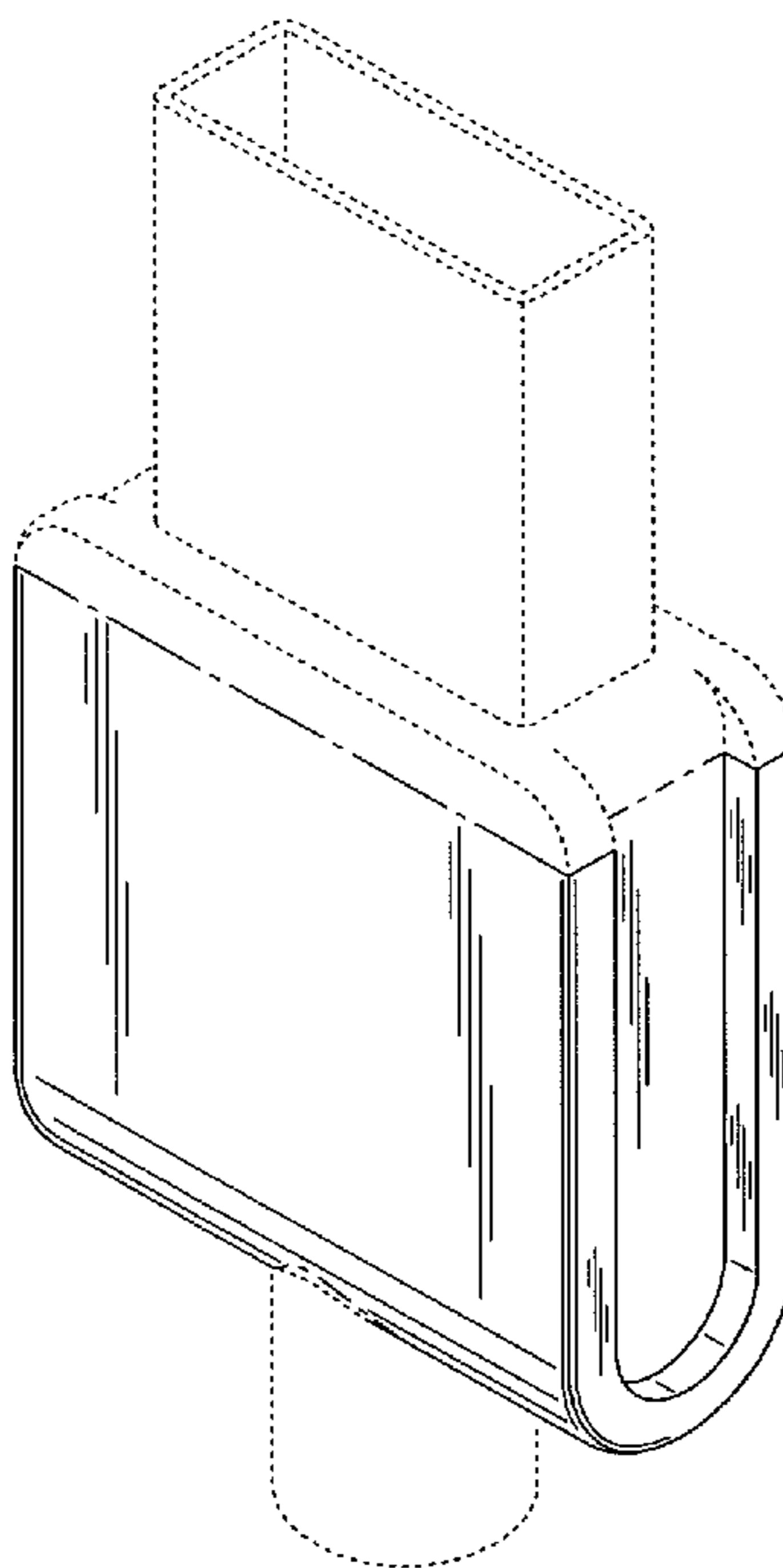


FIG. 1

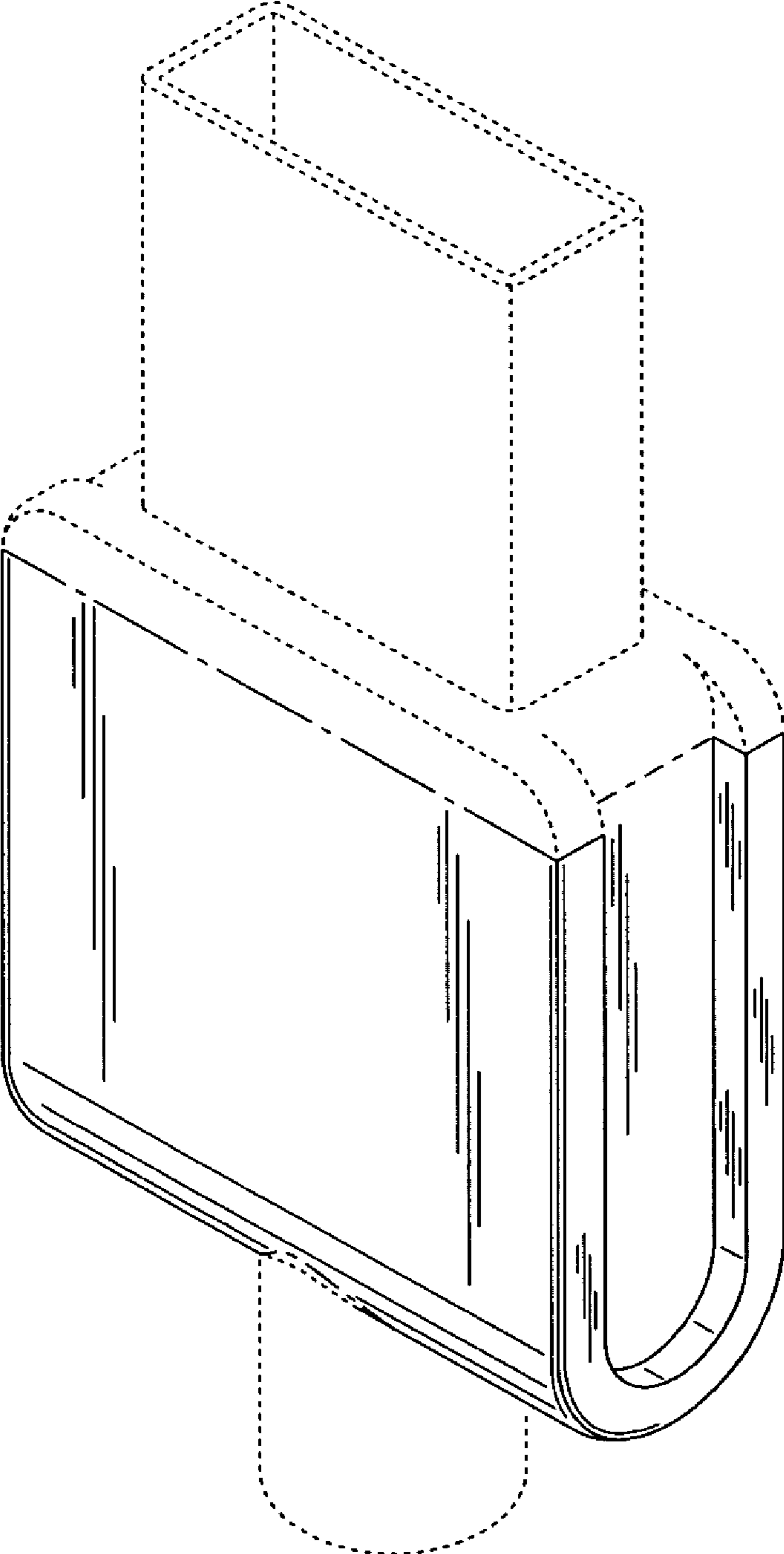


FIG.2

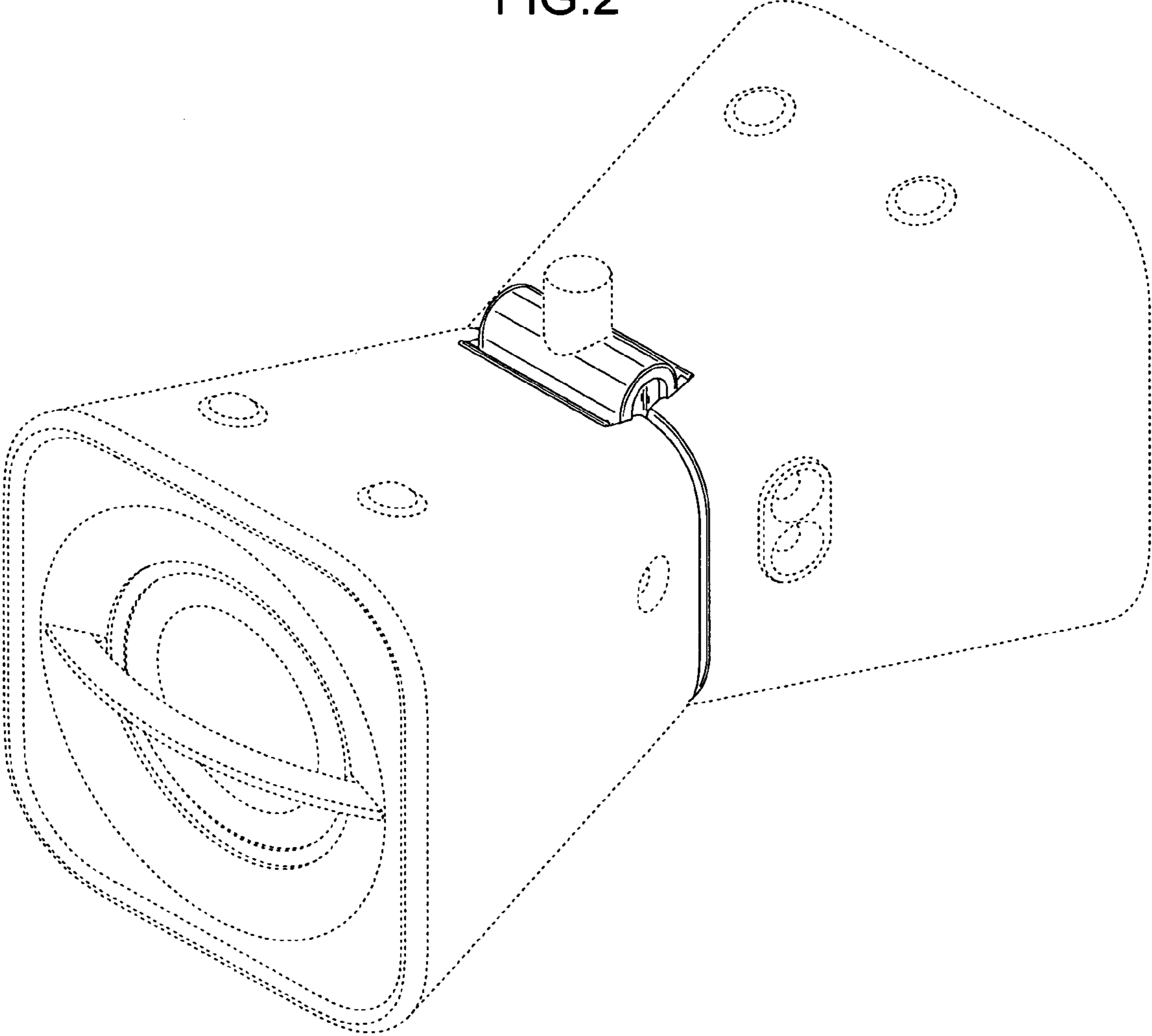


FIG.3

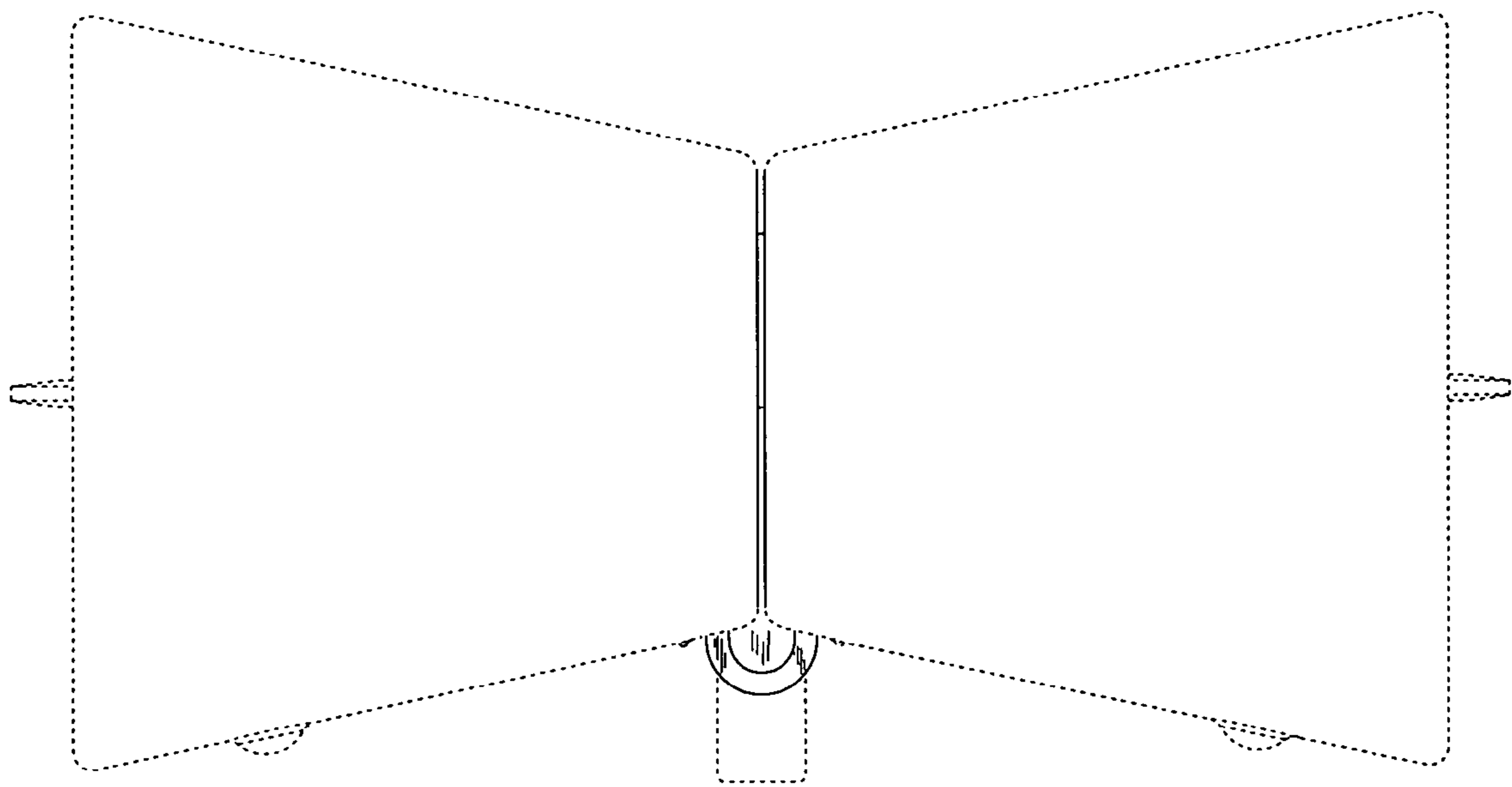


FIG.4

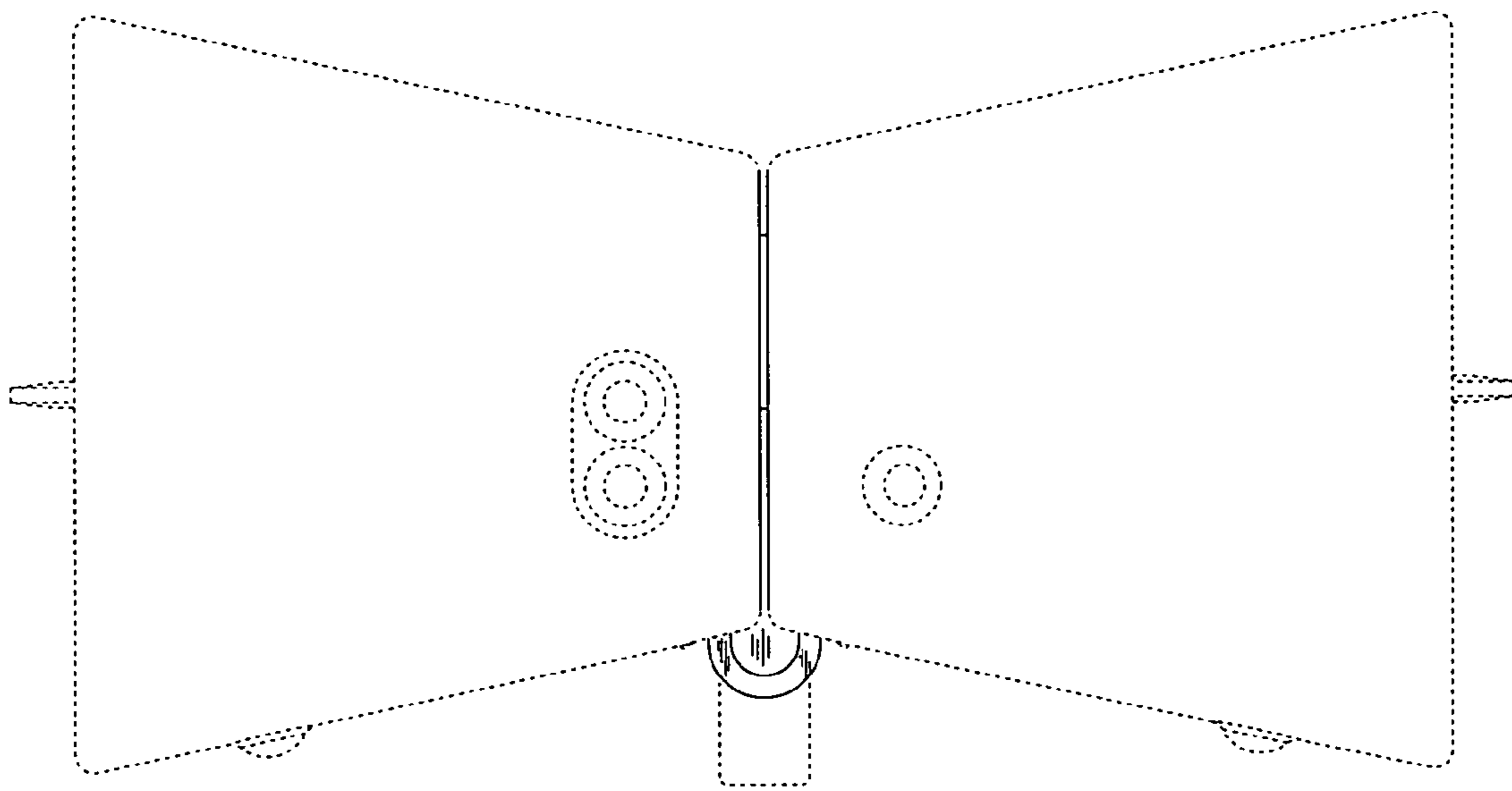


FIG.5

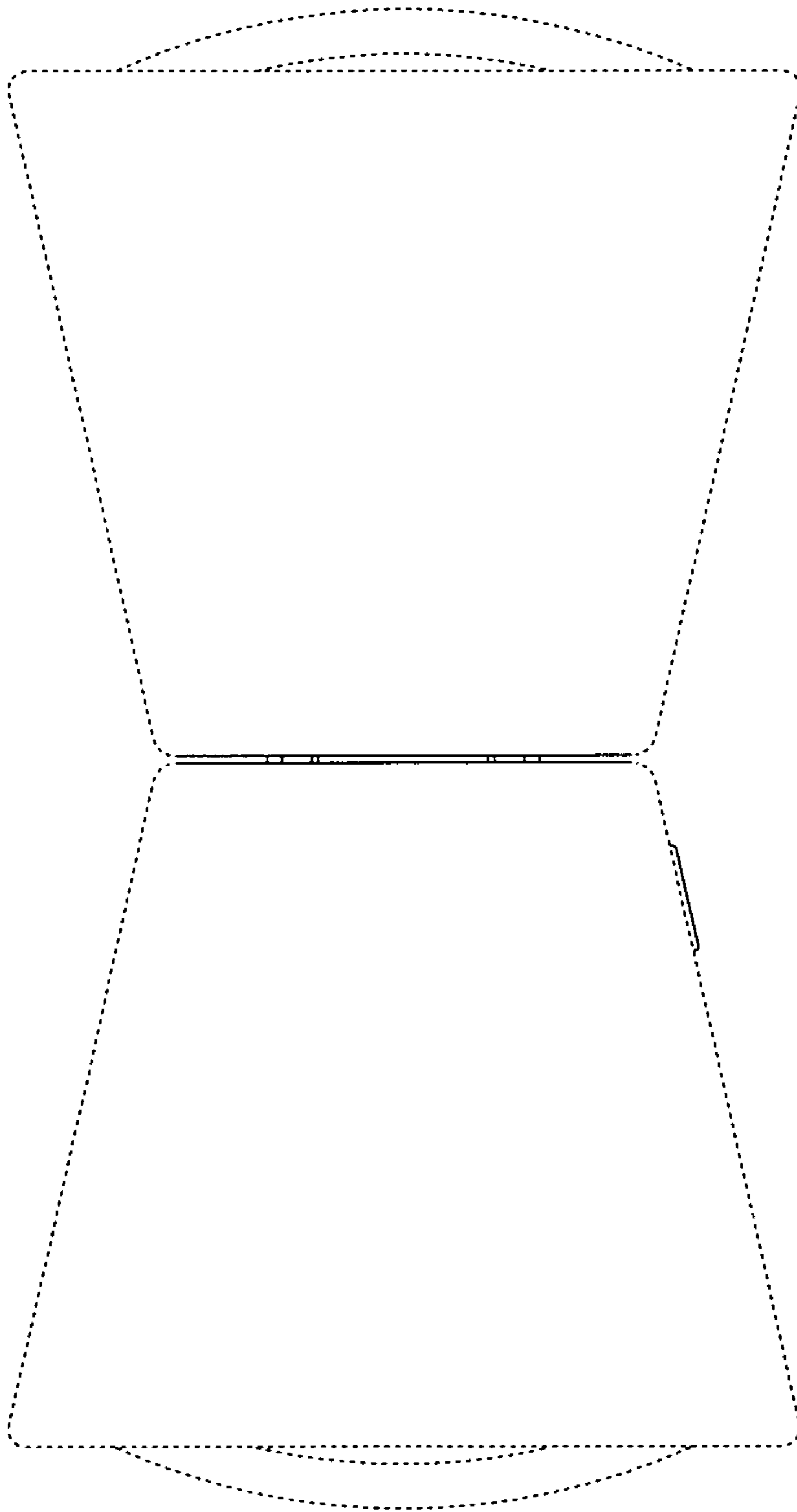


FIG.6

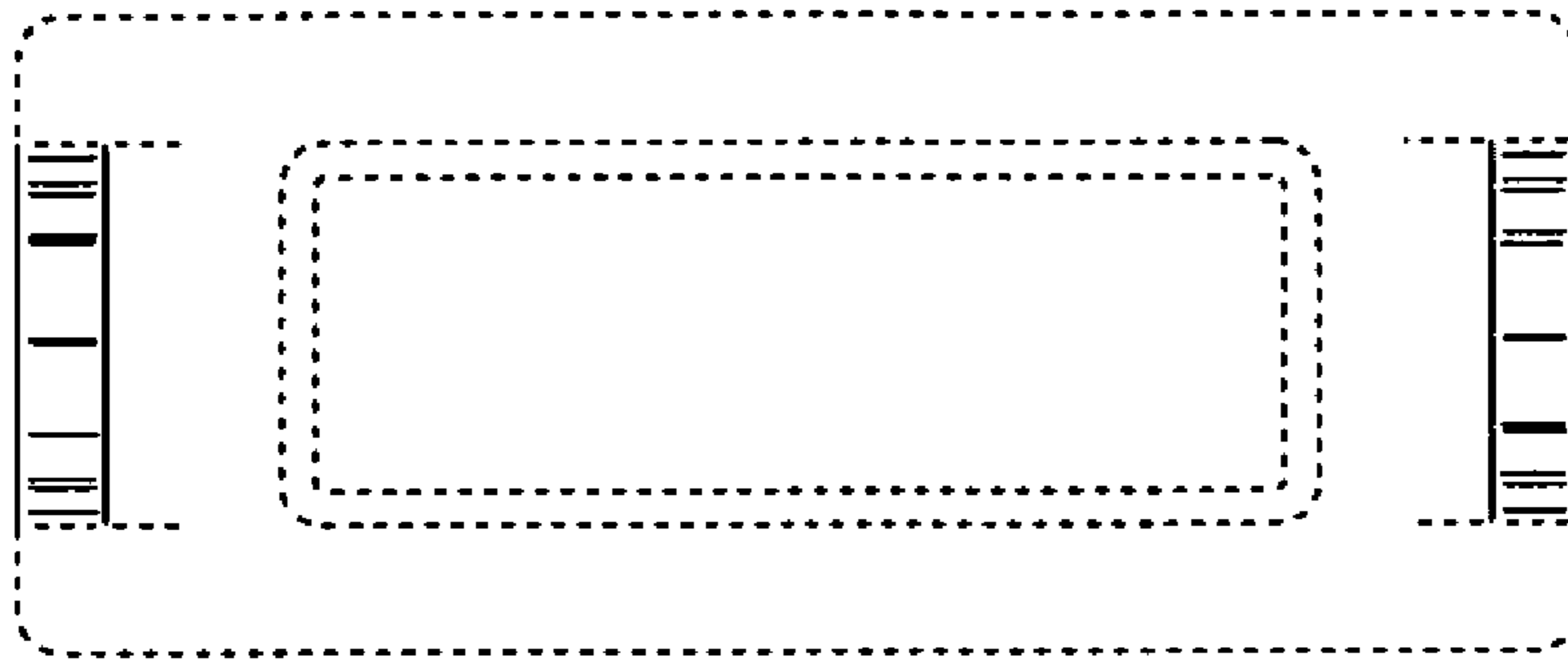


FIG.7

