



US00D672325S

(12) **United States Design Patent**
Lu et al.

(10) **Patent No.:** **US D672,325 S**
(45) **Date of Patent:** **** Dec. 11, 2012**

(54) **MONITOR**

(75) Inventors: **Hsin Lu**, Taipei (TW); **Yung-Hsiang Chen**, Taipei (TW); **Ting-Kang Ou**, Taipei (TW); **Chih-Chien Lin**, Taipei (TW)

(73) Assignee: **Compal Electronics, Inc.**, Taipei (TW)

(**) Term: **14 Years**

(21) Appl. No.: **29/393,165**

(22) Filed: **May 31, 2011**

(51) **LOC (9) Cl.** **14-03**

(52) **U.S. Cl.** **D14/126**

(58) **Field of Classification Search** D14/125-134, D14/239, 371, 136, 374-377, 440, 450, 448, D14/336, 342; 312/7.2; 348/836, 838, 180, 348/184, 325, 739; 341/12; 248/917-924, 248/465; 345/104, 133, 156, 168, 87, 173; 720/605, 669, 600, 655; 369/99, 197; 455/344, 455/347; D21/329, 515, 577, 622, 333, 433, D21/448, 452, 450, 331; D6/477, 479, 300; 273/148 B; 446/484, 175, 356; D10/15, D10/26

See application file for complete search history.

(56) **References Cited**

U.S. PATENT DOCUMENTS

D323,324 S *	1/1992	Suda	D14/125
D503,707 S *	4/2005	Boyer, Jr.	D14/239
D543,516 S *	5/2007	Han et al.	D14/126
D609,661 S *	2/2010	VanDuyn et al.	D14/126
D622,239 S *	8/2010	Liu et al.	D14/126
D638,813 S *	5/2011	Liu	D14/126
D642,550 S *	8/2011	Kawano et al.	D14/126
D645,430 S *	9/2011	Shih	D14/126
D648,297 S *	11/2011	Woo et al.	D14/126
D652,399 S *	1/2012	Chiu	D14/126

* cited by examiner

Primary Examiner — Raphael Barkai

(74) *Attorney, Agent, or Firm* — Muncy, Geissler, Olds & Lowe, PLLC

(57) **CLAIM**

The ornamental design for a monitor, as shown.

DESCRIPTION

FIG. 1 is a perspective view of a monitor showing our new design;

FIG. 2 is a front view thereof;

FIG. 3 is a rear view thereof;

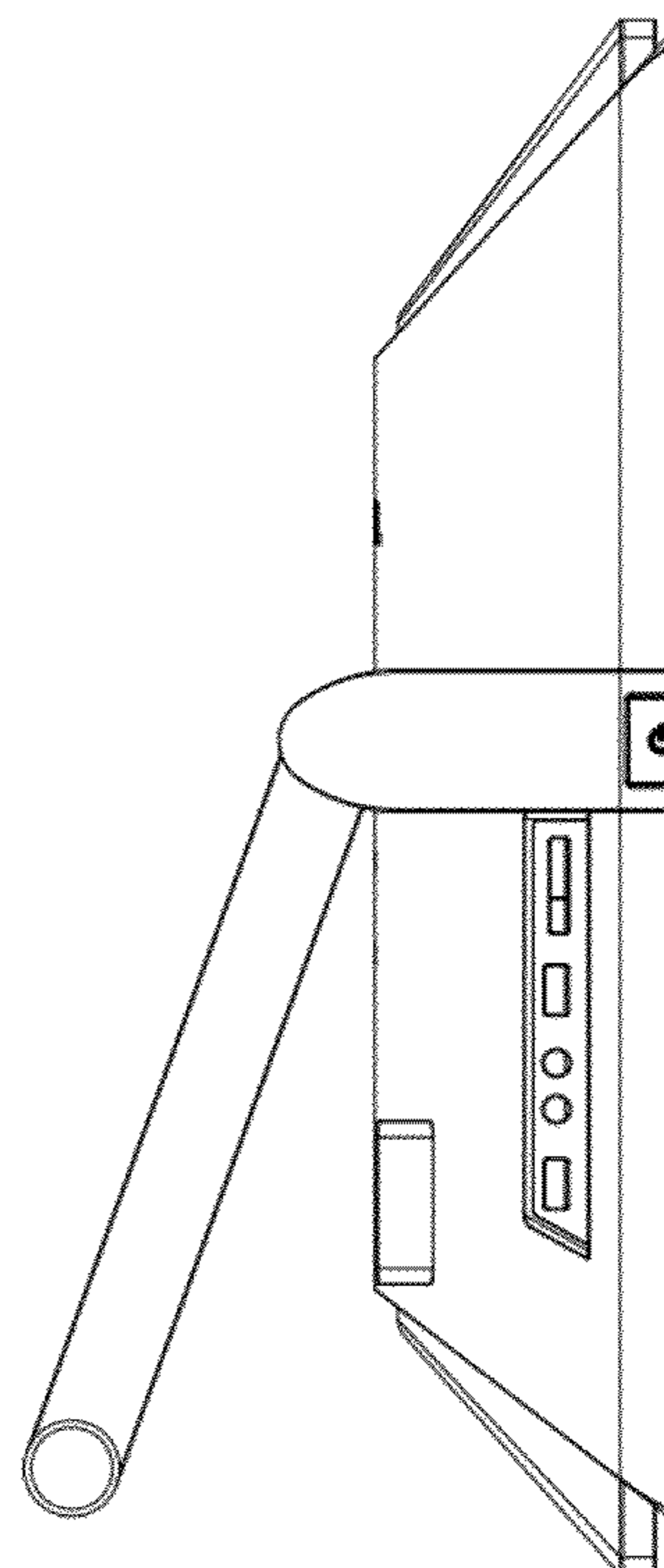
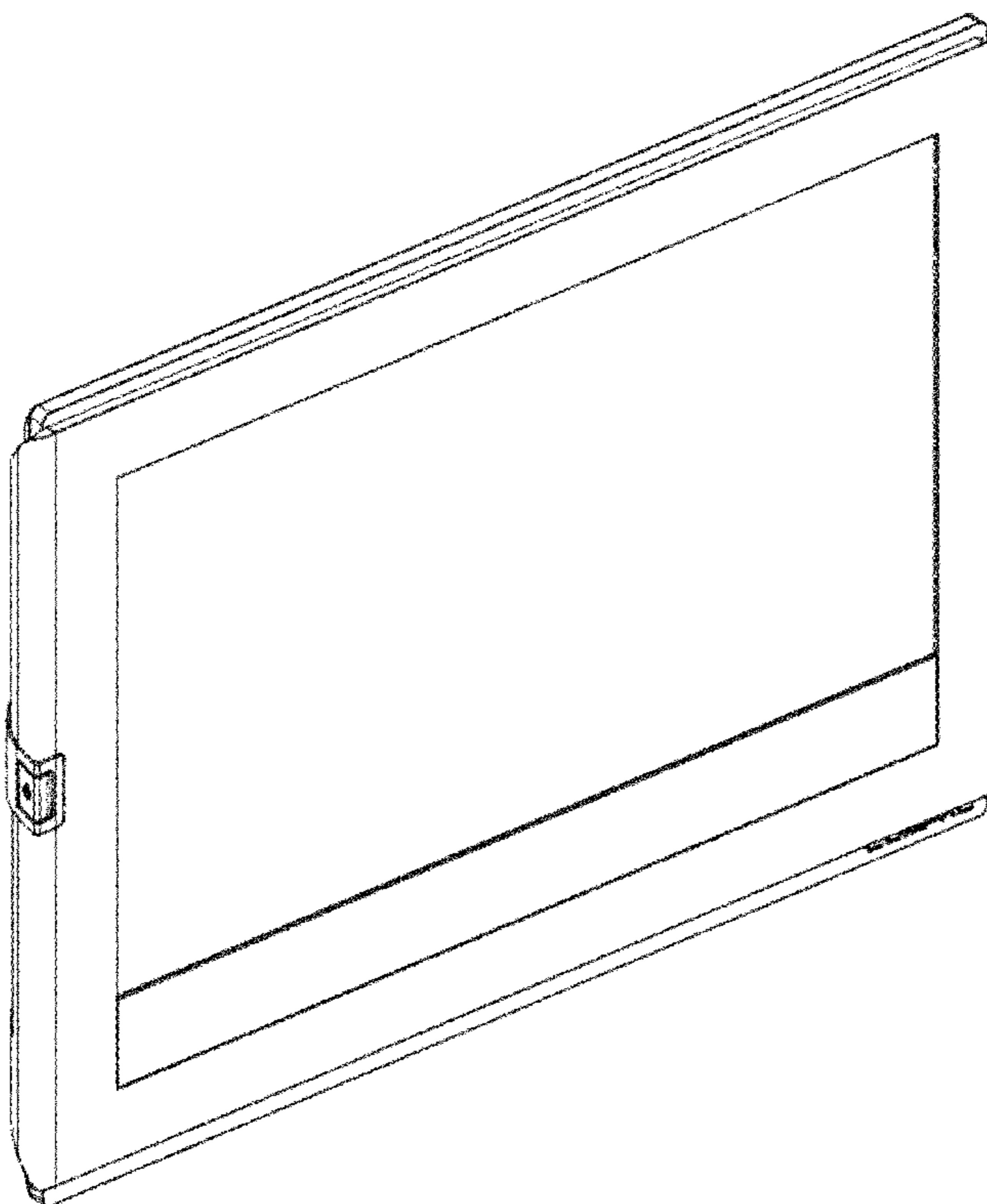
FIG. 4 is a left side view thereof;

FIG. 5 is a right side view thereof;

FIG. 6 is a top view thereof; and,

FIG. 7 is a bottom view thereof.

1 Claim, 7 Drawing Sheets



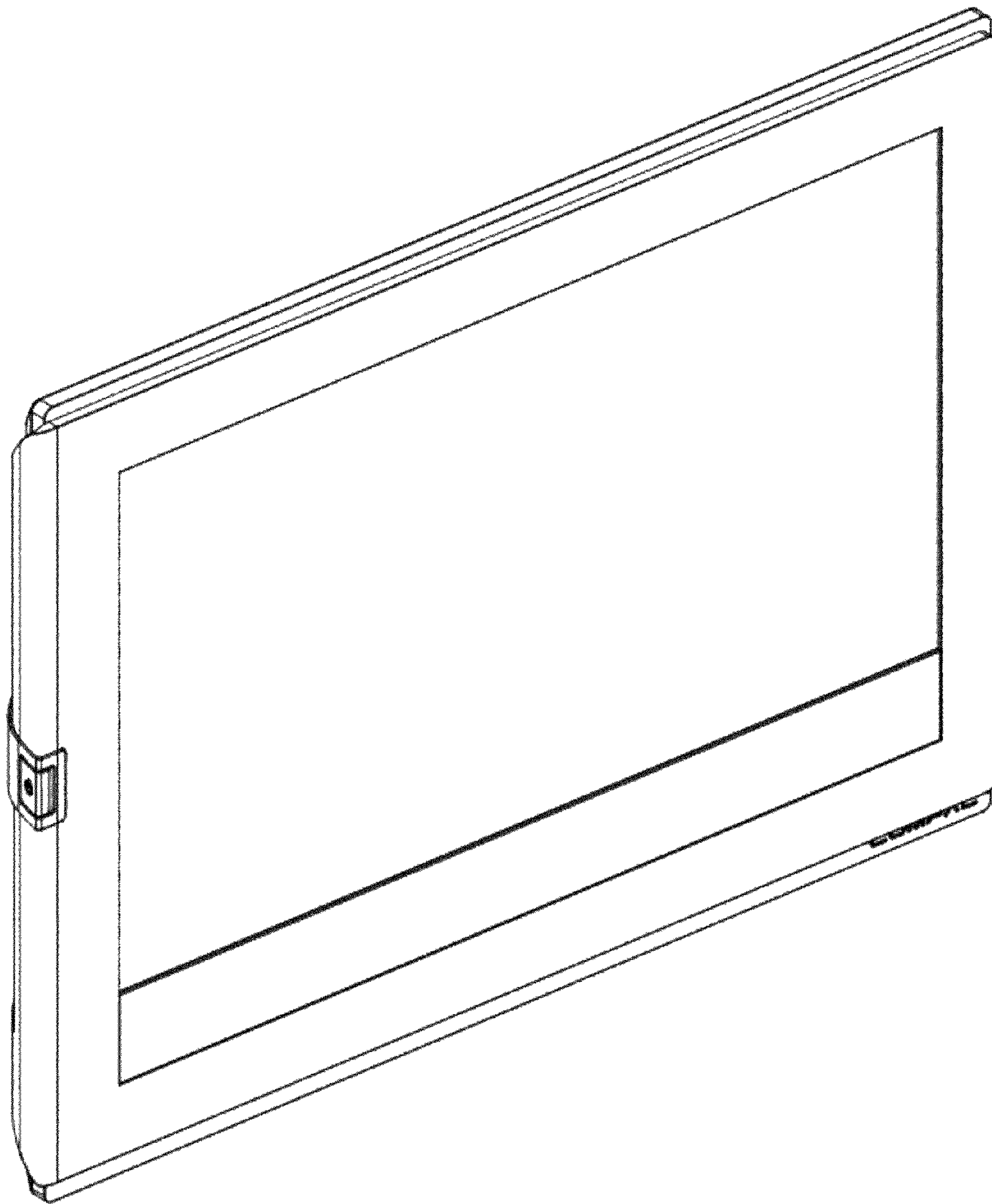


Fig. 1

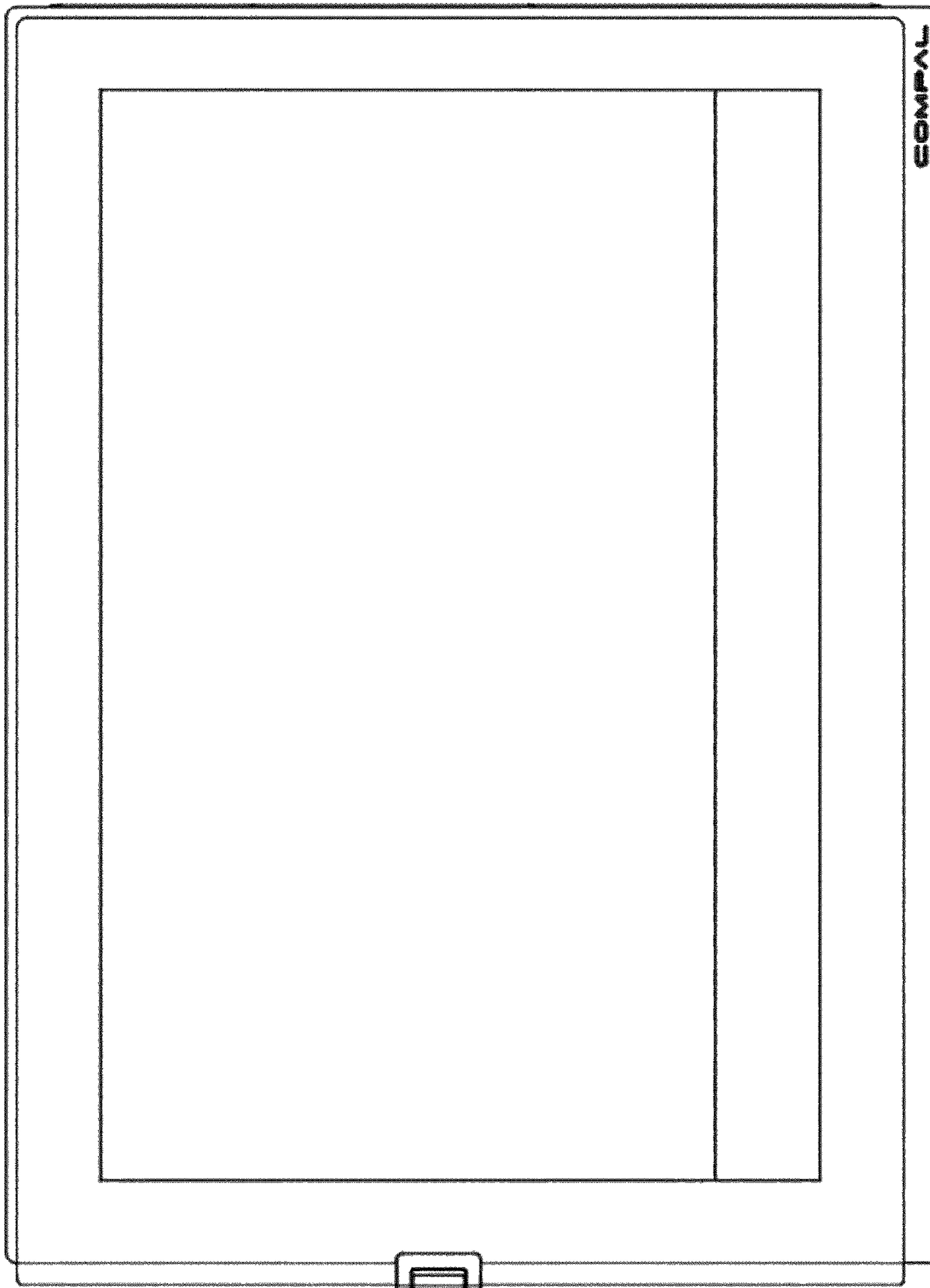


Fig. 2

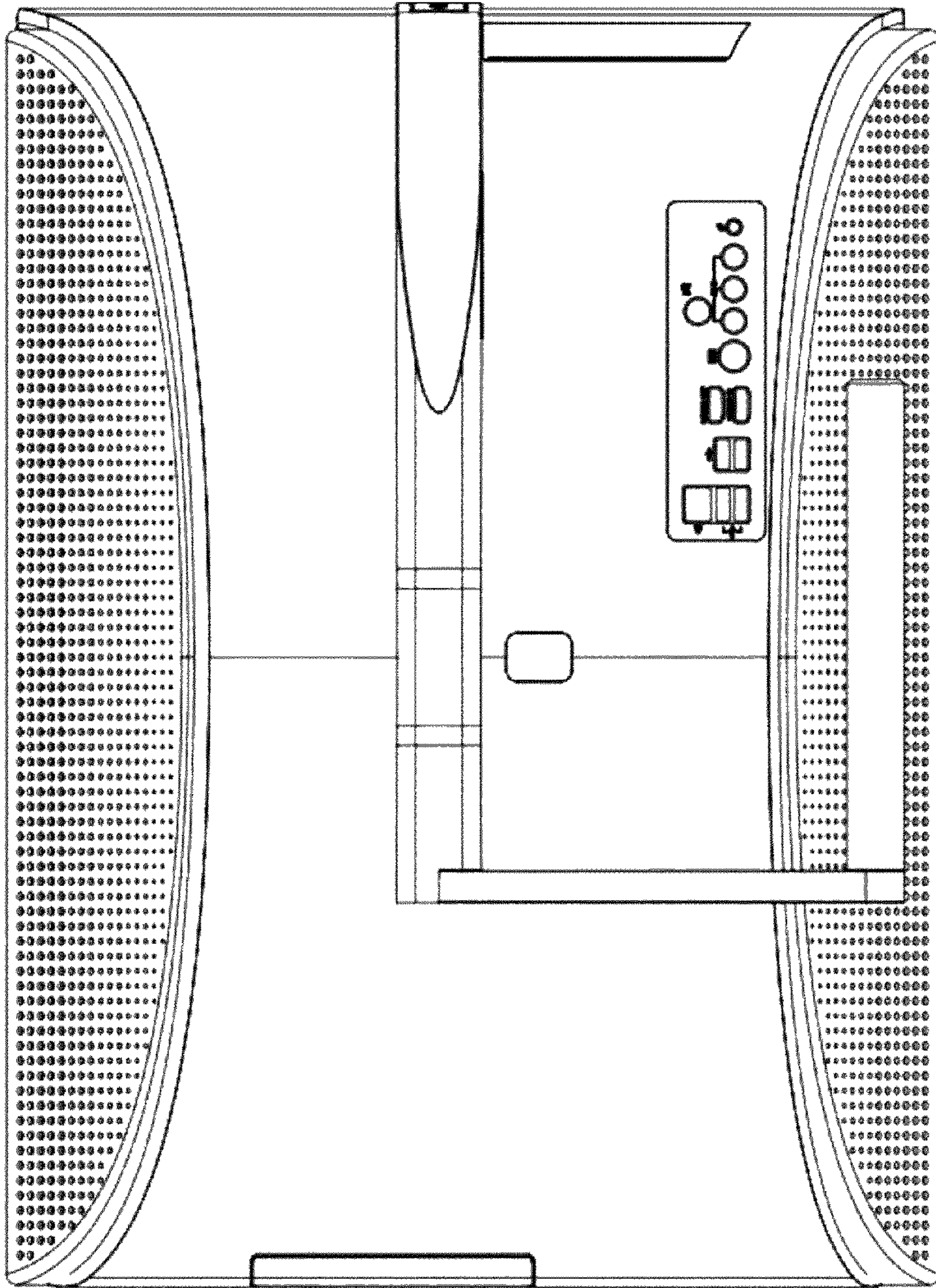


Fig. 3

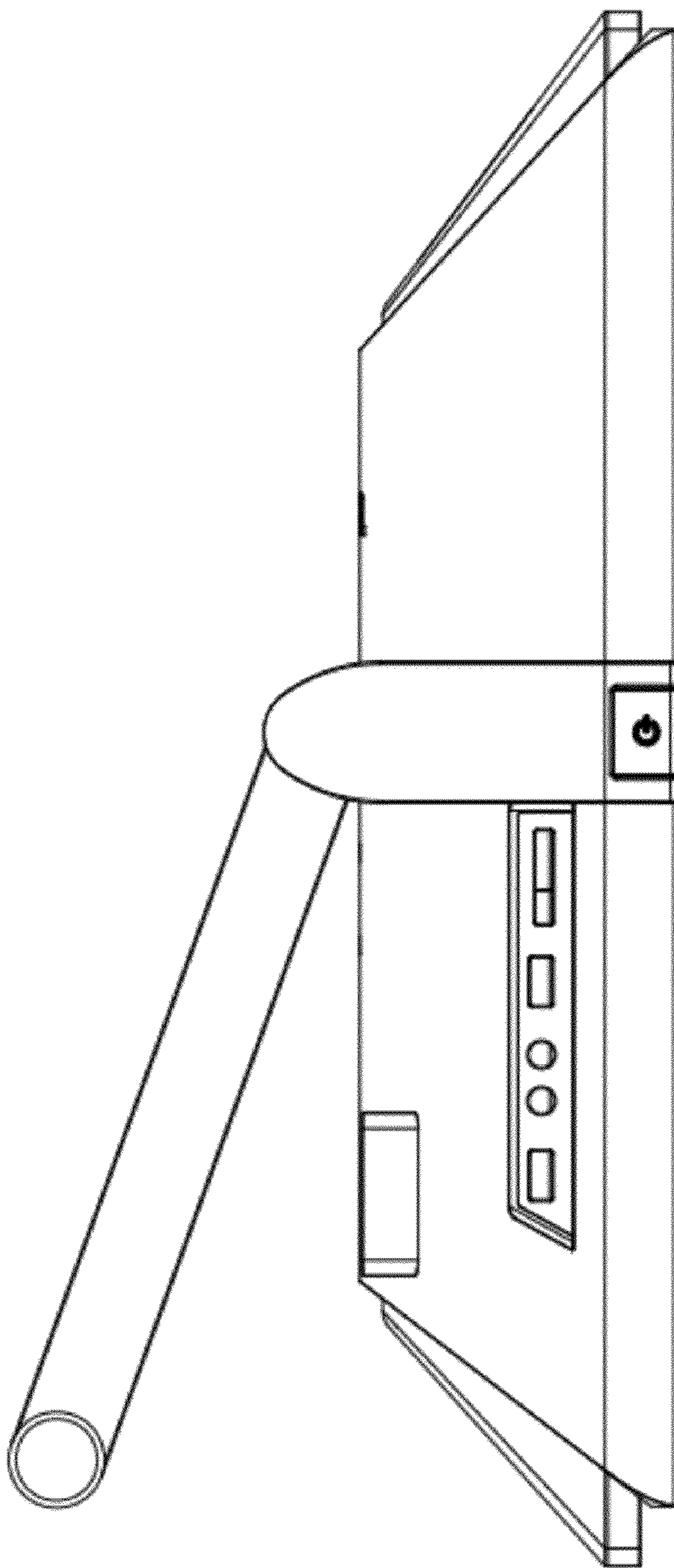


Fig. 4

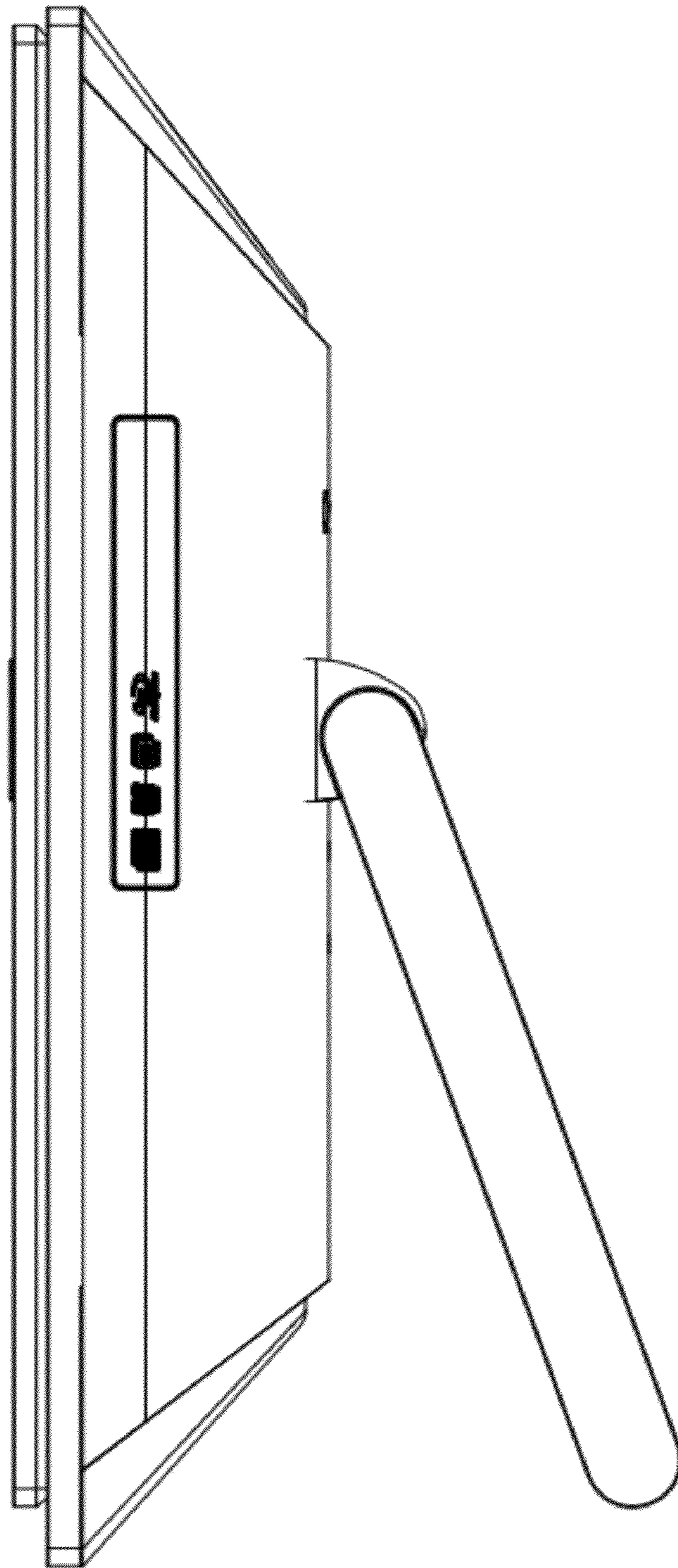


Fig. 5

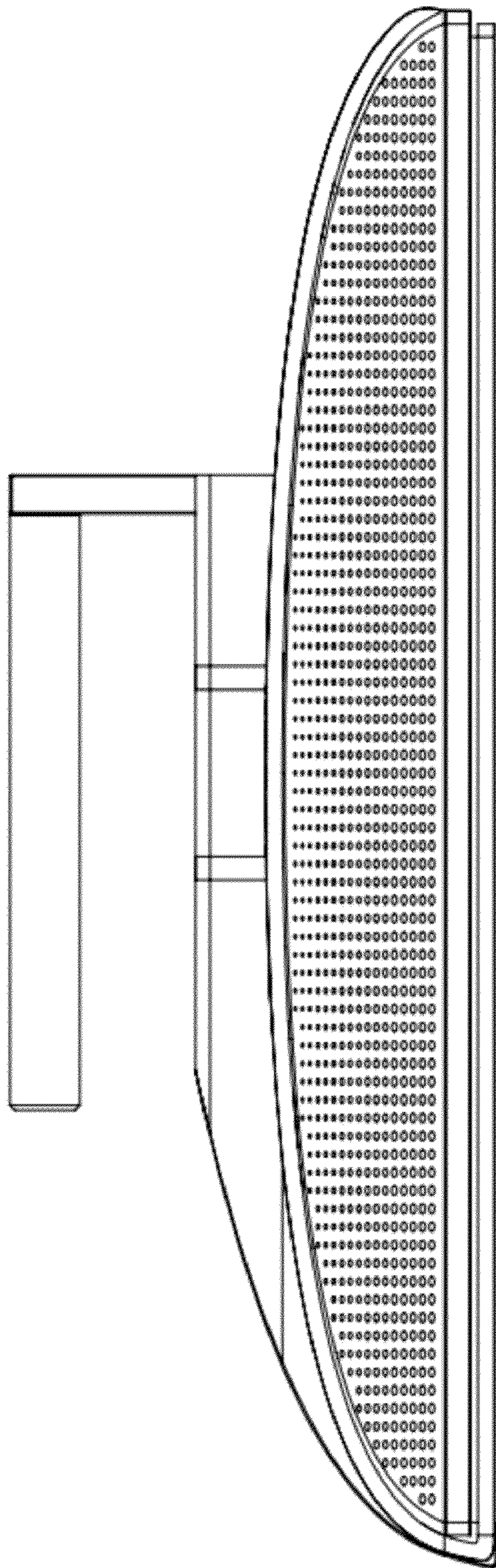


Fig. 6

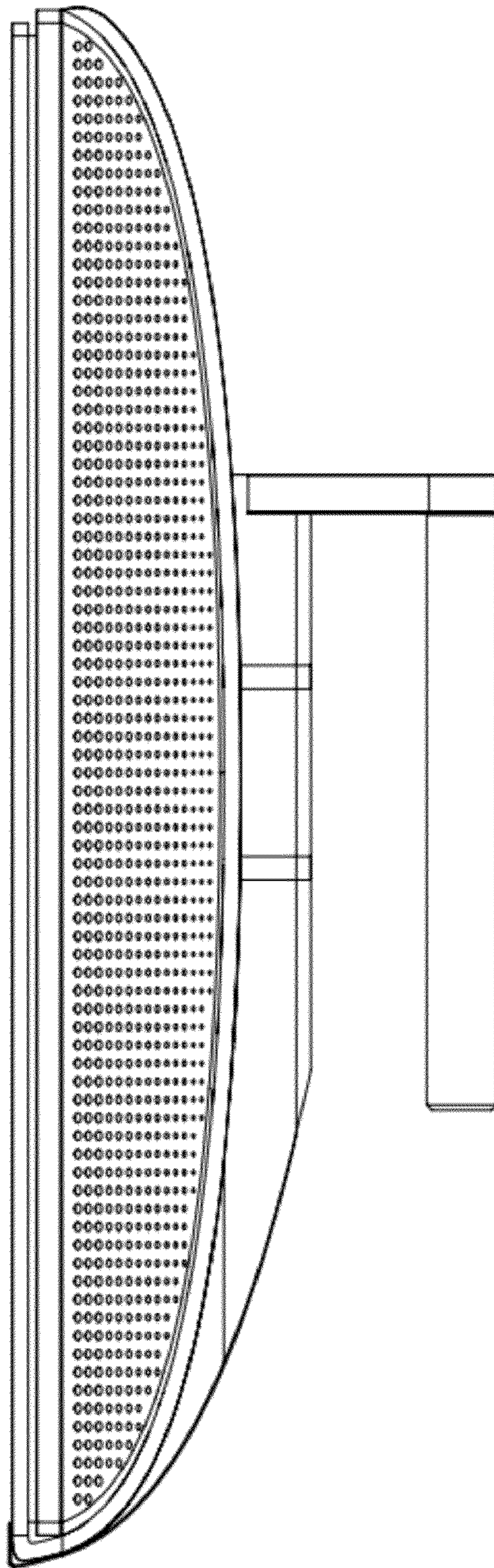


Fig. 7