

US00D672324S

(12) **United States Design Patent**
Lee et al.

(10) **Patent No.:** **US D672,324 S**
(45) **Date of Patent:** **** Dec. 11, 2012**

(54) **LED DEVICE**

(75) Inventors: **Hou-Te Lee**, Kaohsiung (TW);
Tsung-Kang Ying, New Taipei (TW);
Chia-Hung Chu, Miaoli County (TW);
Shih-Po Yu, New Taipei (TW)

(73) Assignees: **Silitek Electronic (Guangzhou) Co., Ltd.**, Guangzhou (CN); **Lite-On Technology Corporation**, Taipei (TW)

(**) Term: **14 Years**

(21) Appl. No.: **29/407,490**

(22) Filed: **Nov. 30, 2011**

(51) **LOC (9) Cl.** **13-03**

(52) **U.S. Cl.** **D13/180**

(58) **Field of Classification Search** D13/180;
D26/1, 2; 257/79, 80, 81, 88, 89, 95, 98,
257/99, 100, E33.058; 313/483, 498, 500;
362/555, 800

See application file for complete search history.

(56) **References Cited**

U.S. PATENT DOCUMENTS

| | | | | | |
|-----------|------|---------|------------------|-------|---------|
| 6,777,719 | B1 * | 8/2004 | Fujii | | 257/99 |
| 7,049,639 | B2 * | 5/2006 | Wang et al. | | 257/99 |
| D576,965 | S * | 9/2008 | Takine | | D13/180 |
| D590,354 | S * | 4/2009 | Tsuchiya et al. | | D13/180 |
| D590,358 | S * | 4/2009 | Miyashita et al. | | D13/180 |
| D602,884 | S * | 10/2009 | Wada et al. | | D13/180 |
| 7,731,405 | B2 * | 6/2010 | Ishizaka et al. | | 362/555 |

| | | | | | |
|--------------|------|---------|-------------------|-------|---------|
| D623,611 | S * | 9/2010 | Okuwaki | | D13/180 |
| D624,511 | S * | 9/2010 | Watanabe et al. | | D13/180 |
| D628,166 | S * | 11/2010 | Okuwaki | | D13/180 |
| D640,644 | S * | 6/2011 | Tsou | | D13/180 |
| D647,068 | S * | 10/2011 | Okuwaki | | D13/180 |
| D662,903 | S * | 7/2012 | Kobayakawa et al. | | D13/180 |
| D663,703 | S * | 7/2012 | Kobayakawa et al. | | D13/180 |
| 2006/0113906 | A1 * | 6/2006 | Ogawa | | 313/512 |
| 2010/0072502 | A1 * | 3/2010 | Kadotani | | 257/98 |

* cited by examiner

Primary Examiner — Selina Sikder

(74) *Attorney, Agent, or Firm* — Li & Cai Intellectual Property (USA) Office

(57) **CLAIM**

The ornamental design for a “LED device,” as shown and described.

DESCRIPTION

FIG. 1 is a perspective view of a “LED device” showing my new design;

FIG. 2 is a front view thereof;

FIG. 3 is a rear view thereof;

FIG. 4 is a left side view thereof;

FIG. 5 is a right side view thereof;

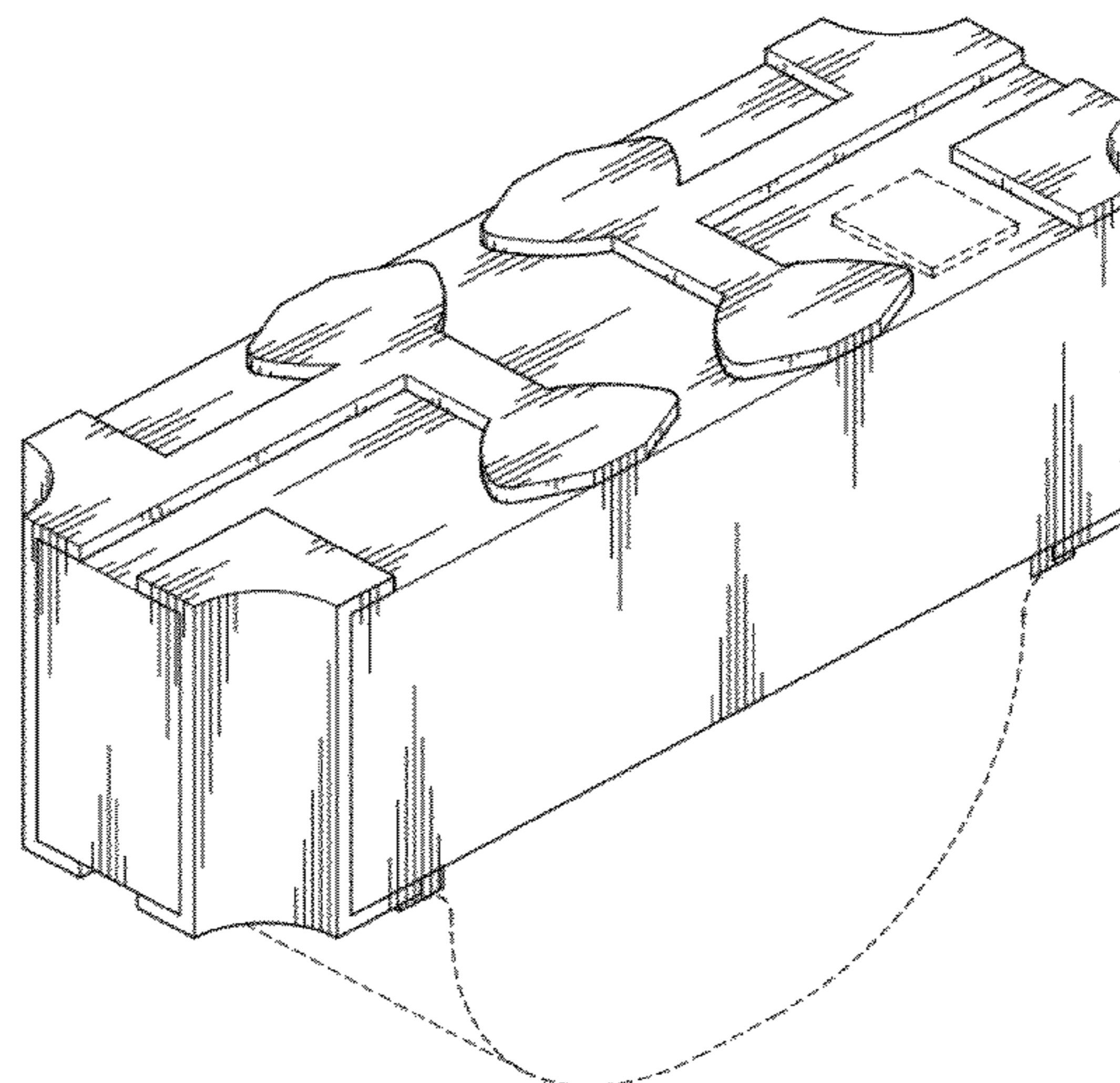
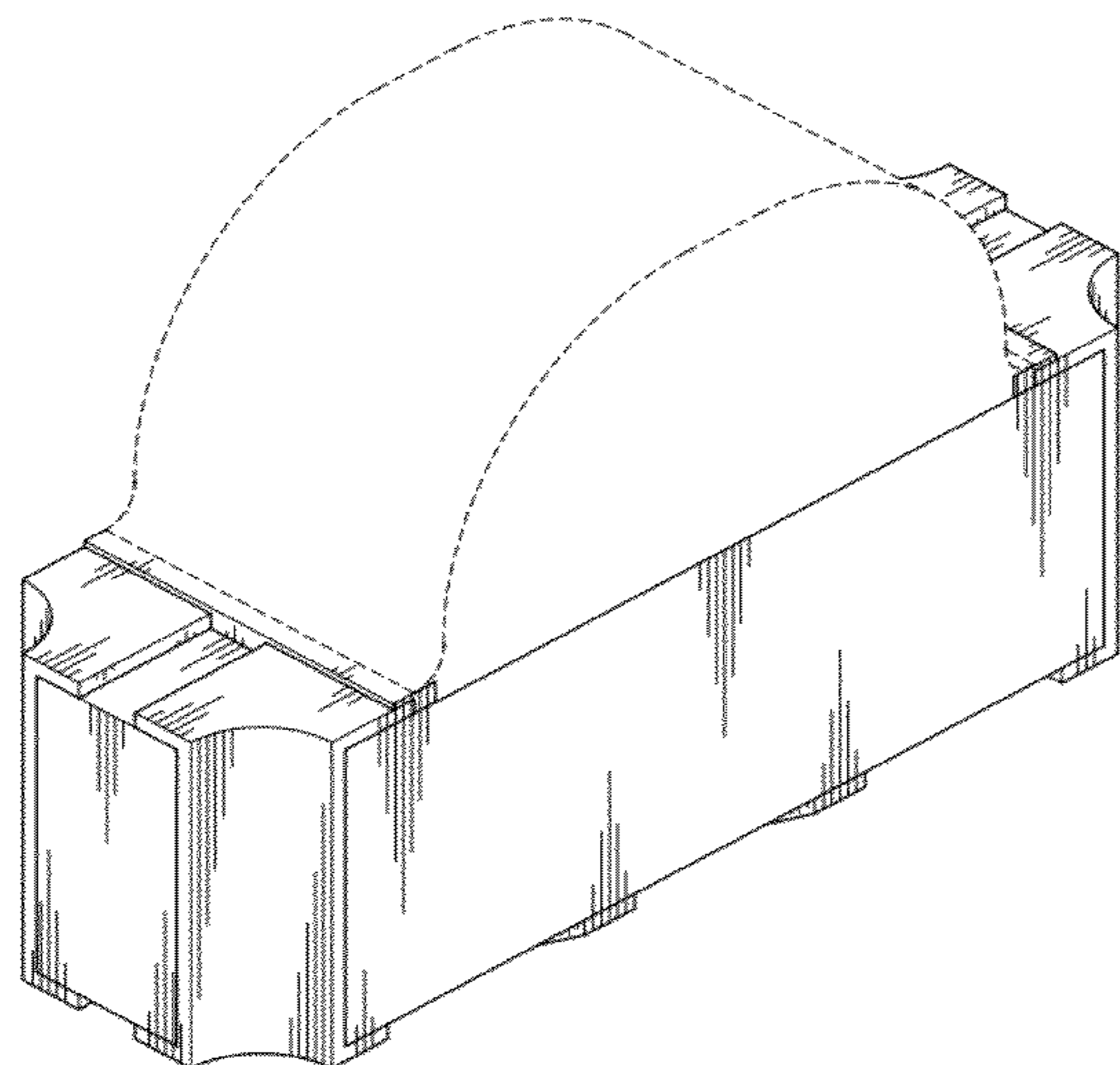
FIG. 6 is a top view thereof;

FIG. 7 is a bottom view thereof; and,

FIG. 8 is a perspective view viewed from another visual angle.

The dashed lines in the drawings are for illustrative purpose only and form no part of the claimed design.

1 Claim, 5 Drawing Sheets



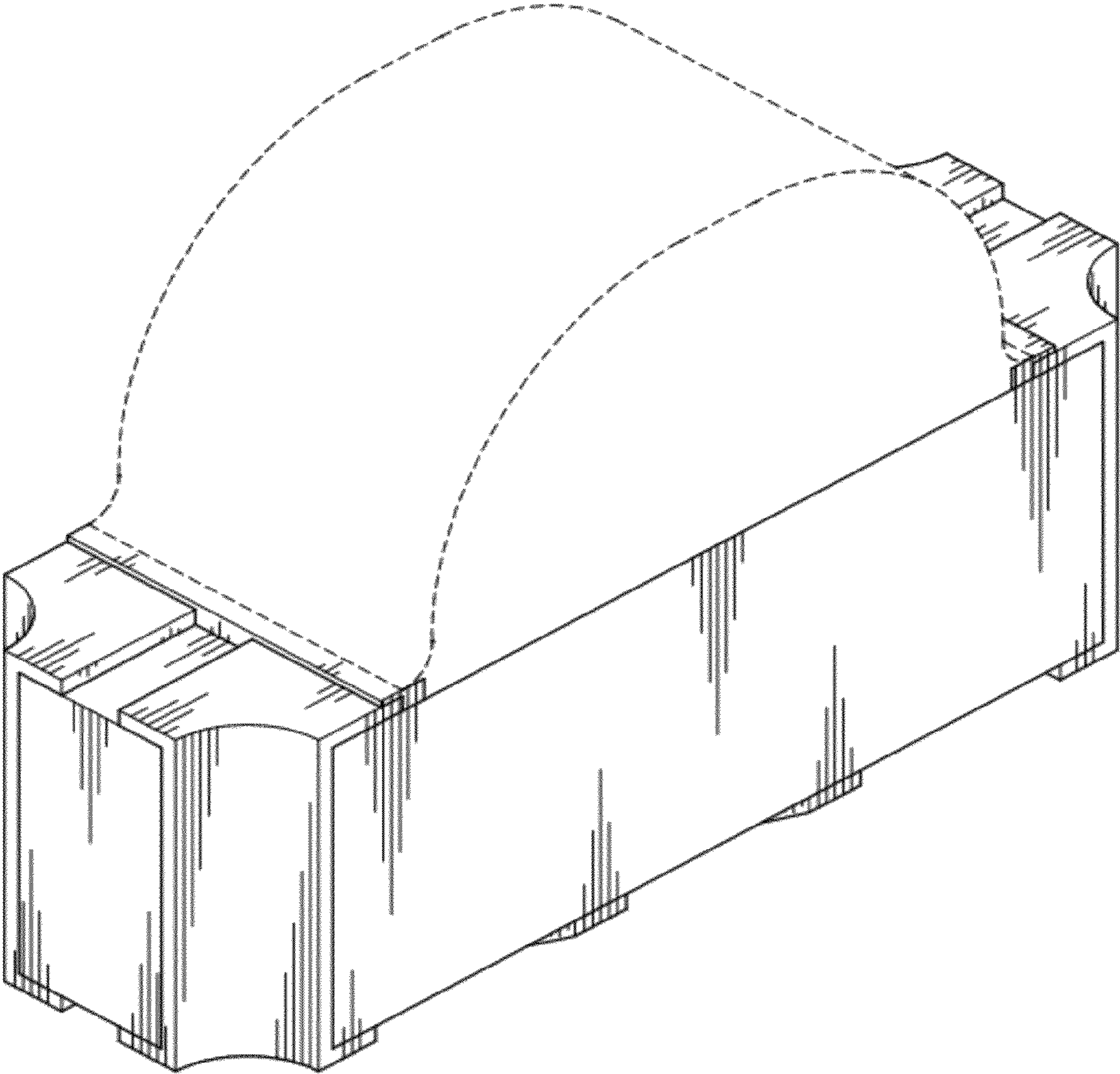


FIG. 1

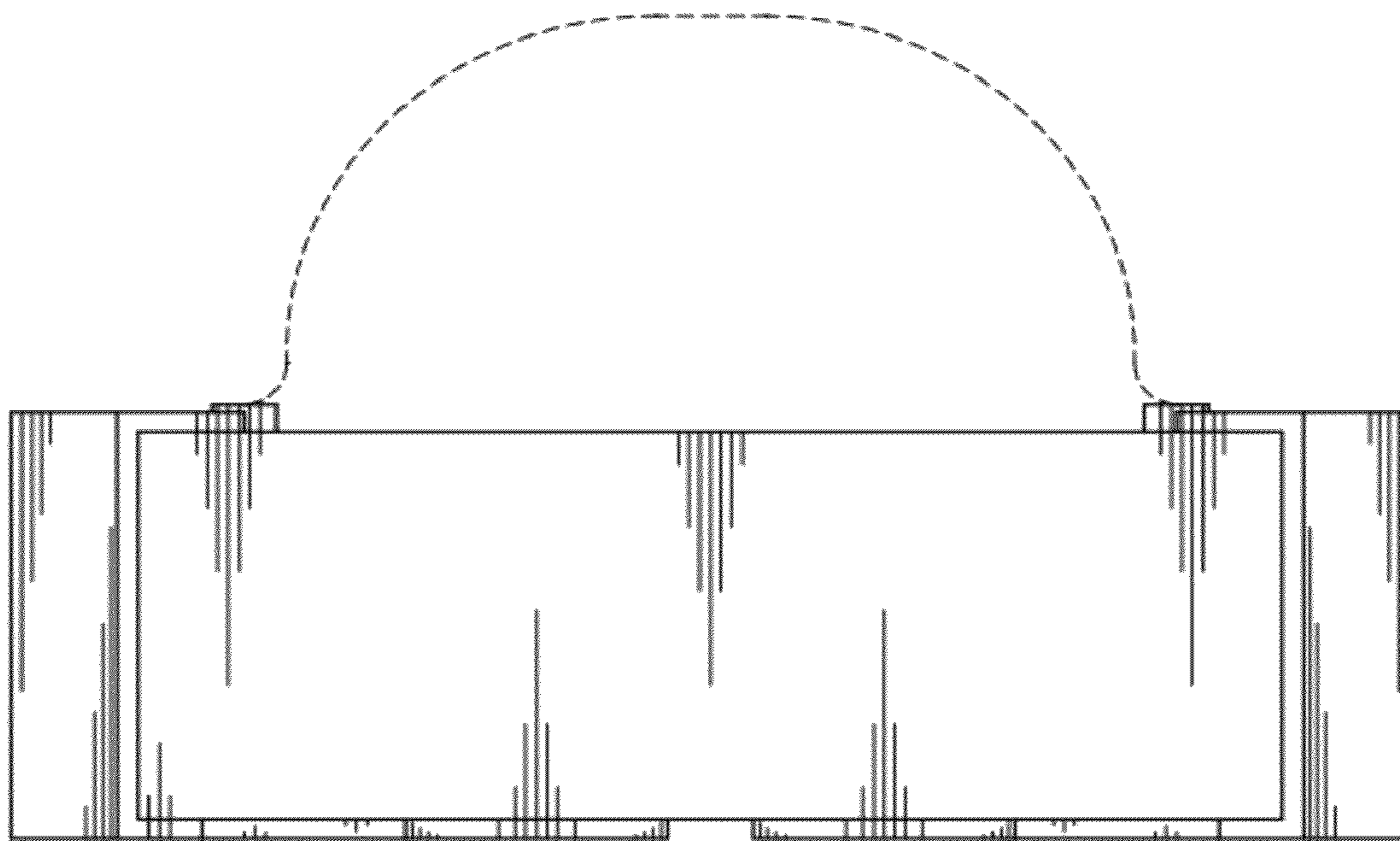


FIG. 2

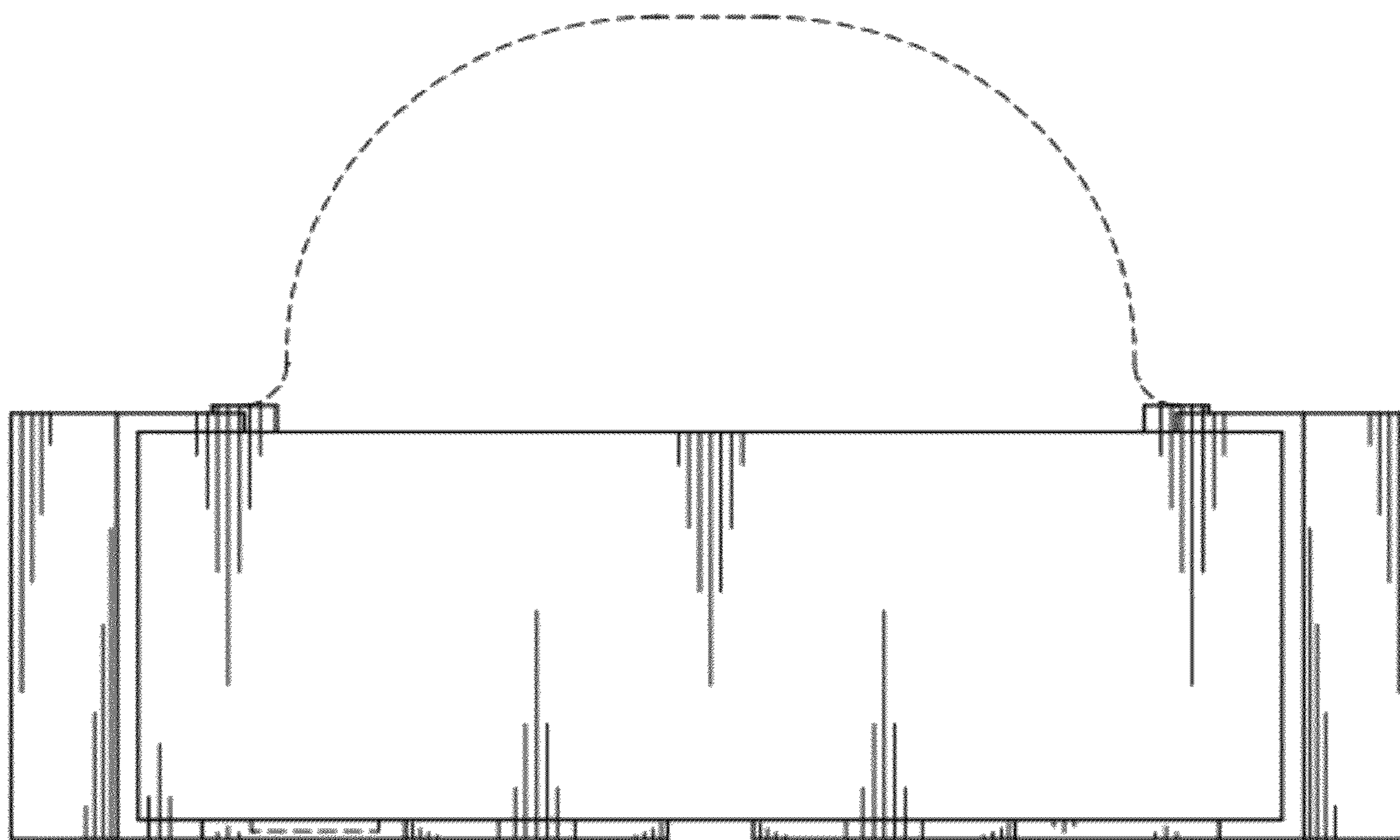


FIG. 3

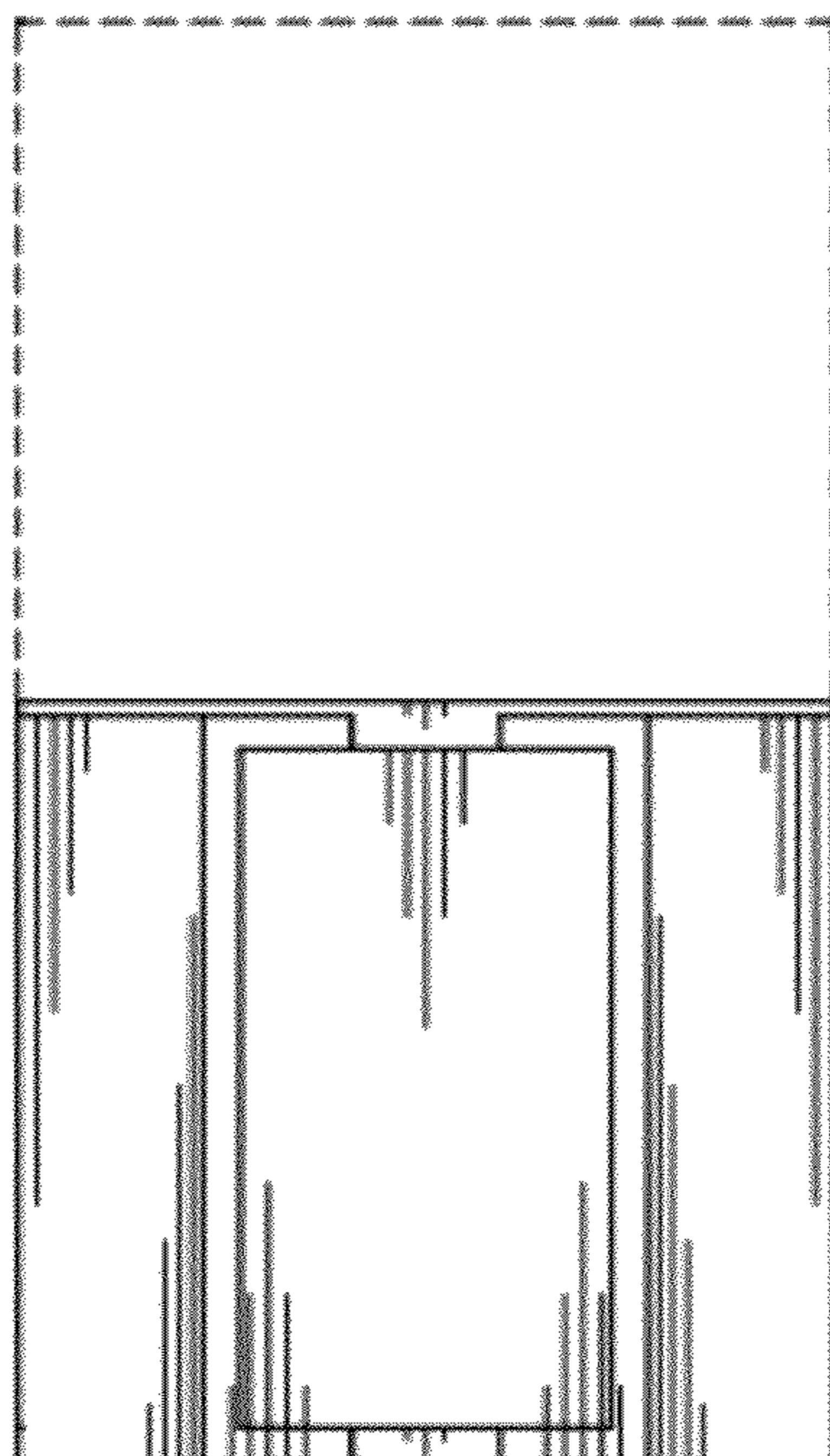


FIG. 4

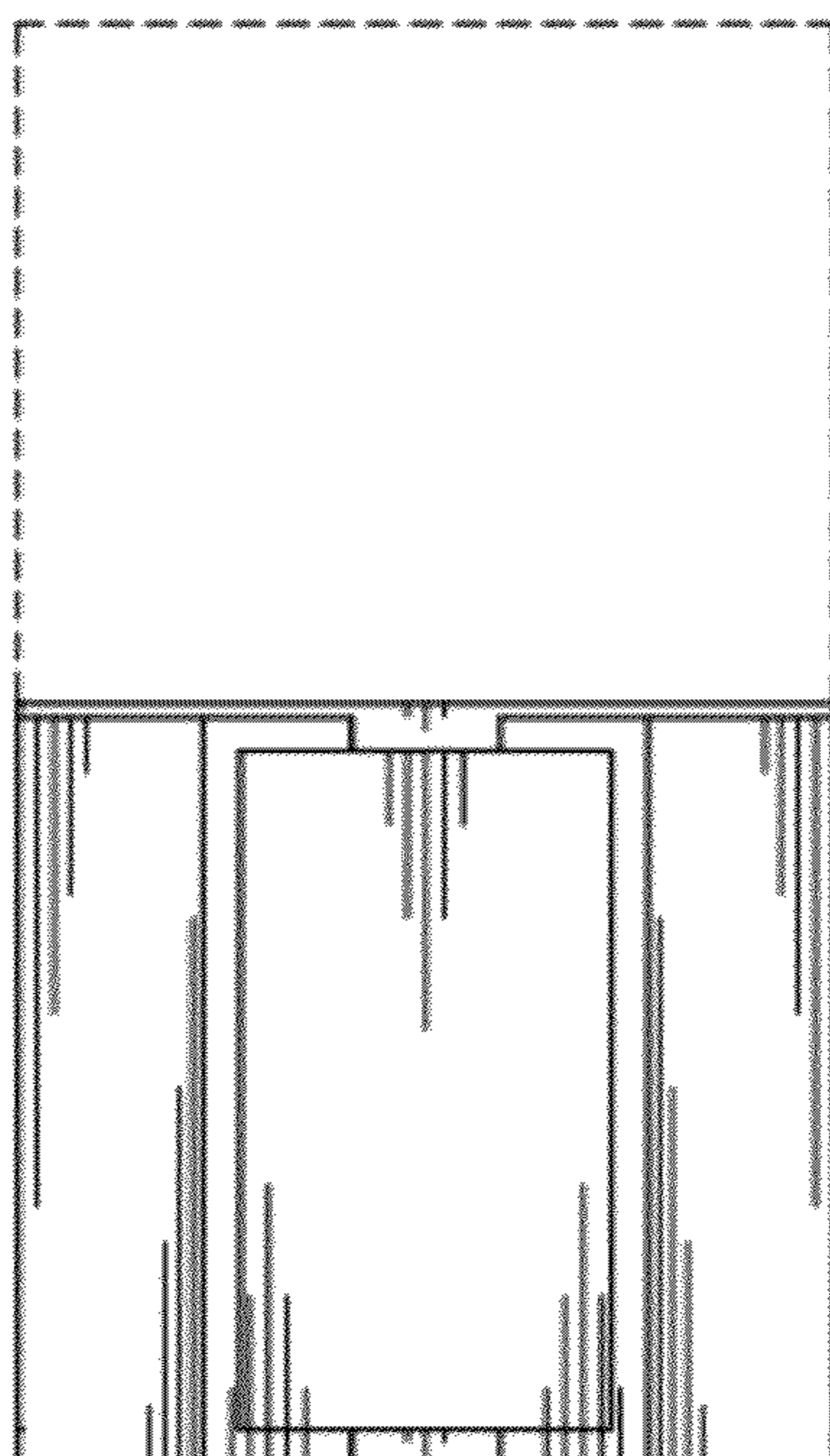


FIG. 5



FIG. 6

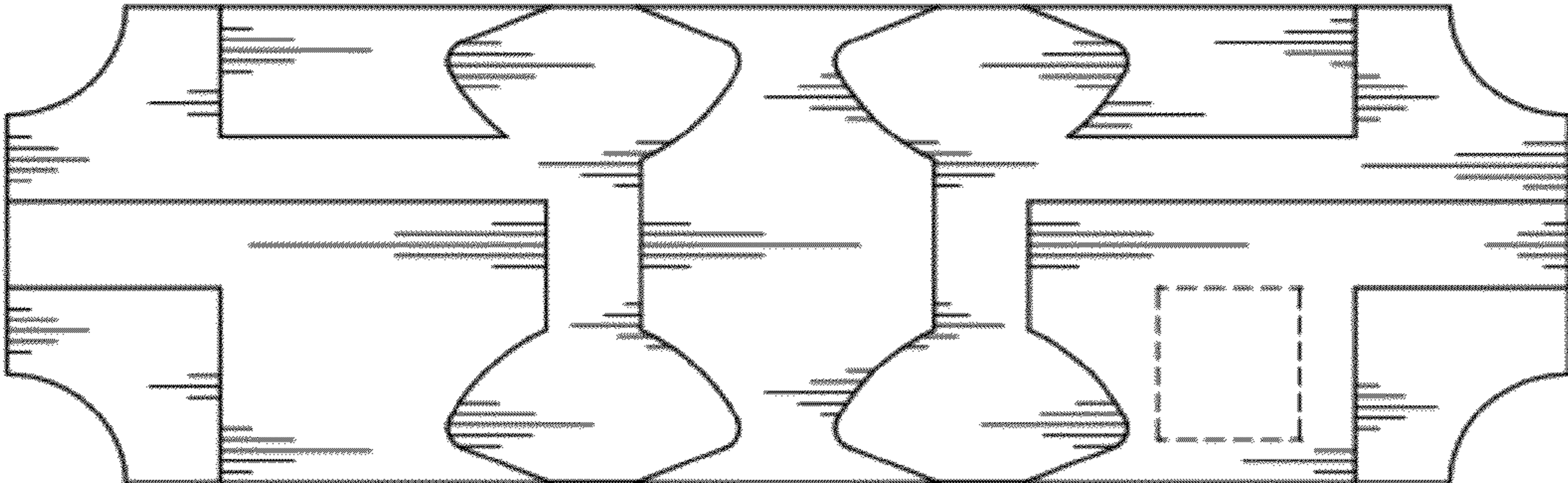


FIG. 7

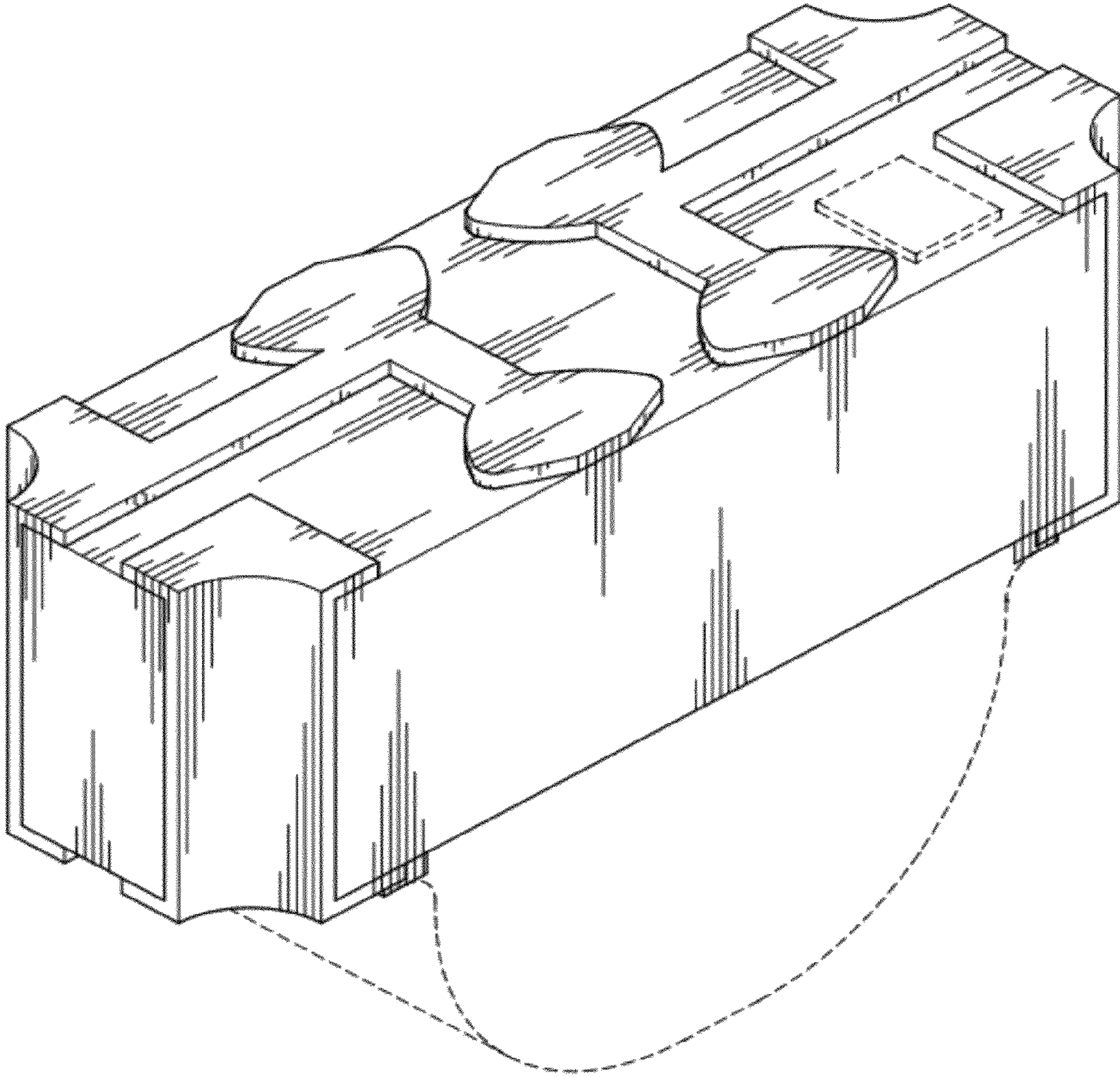


FIG. 8