



US00D672319S

(12) **United States Design Patent**  
**Winkler**

(10) **Patent No.:** **US D672,319 S**

(45) **Date of Patent:** **\*\* Dec. 11, 2012**

(54) **CIRCUIT BREAKER**

(75) Inventor: **Gerald Winkler**, Herzogenaurach (DE)

(73) Assignee: **Ellenberger & Poensgen GmbH**,  
Altdorf (DE)

(\*\*) Term: **14 Years**

(21) Appl. No.: **29/418,747**

(22) Filed: **Apr. 20, 2012**

(30) **Foreign Application Priority Data**

Oct. 21, 2011 (WO) ..... DM/077 123

(51) **LOC (9) Cl.** ..... **13-03**

(52) **U.S. Cl.** ..... **D13/160**

(58) **Field of Classification Search** ..... D13/158,  
D13/159, 160, 161, 162, 184, 199; 200/43.14,  
200/50.01, 50.21-50.23, 51 R, 293, 400,  
200/401; 361/42, 44, 45, 50, 71, 115, 608,  
361/634

See application file for complete search history.

(56) **References Cited**

U.S. PATENT DOCUMENTS

D409,154 S \* 5/1999 Chudoba et al. .... D13/160  
D538,754 S \* 3/2007 Sasaki et al. .... D13/159  
D621,792 S \* 8/2010 Miller et al. .... D13/162  
2011/0069449 A1 \* 3/2011 Miller et al. .... 361/692  
\* cited by examiner

*Primary Examiner* — Thomas Johannes

(74) *Attorney, Agent, or Firm* — Laurence A. Greenberg;  
Werner H. Stemer; Ralph E. Locher

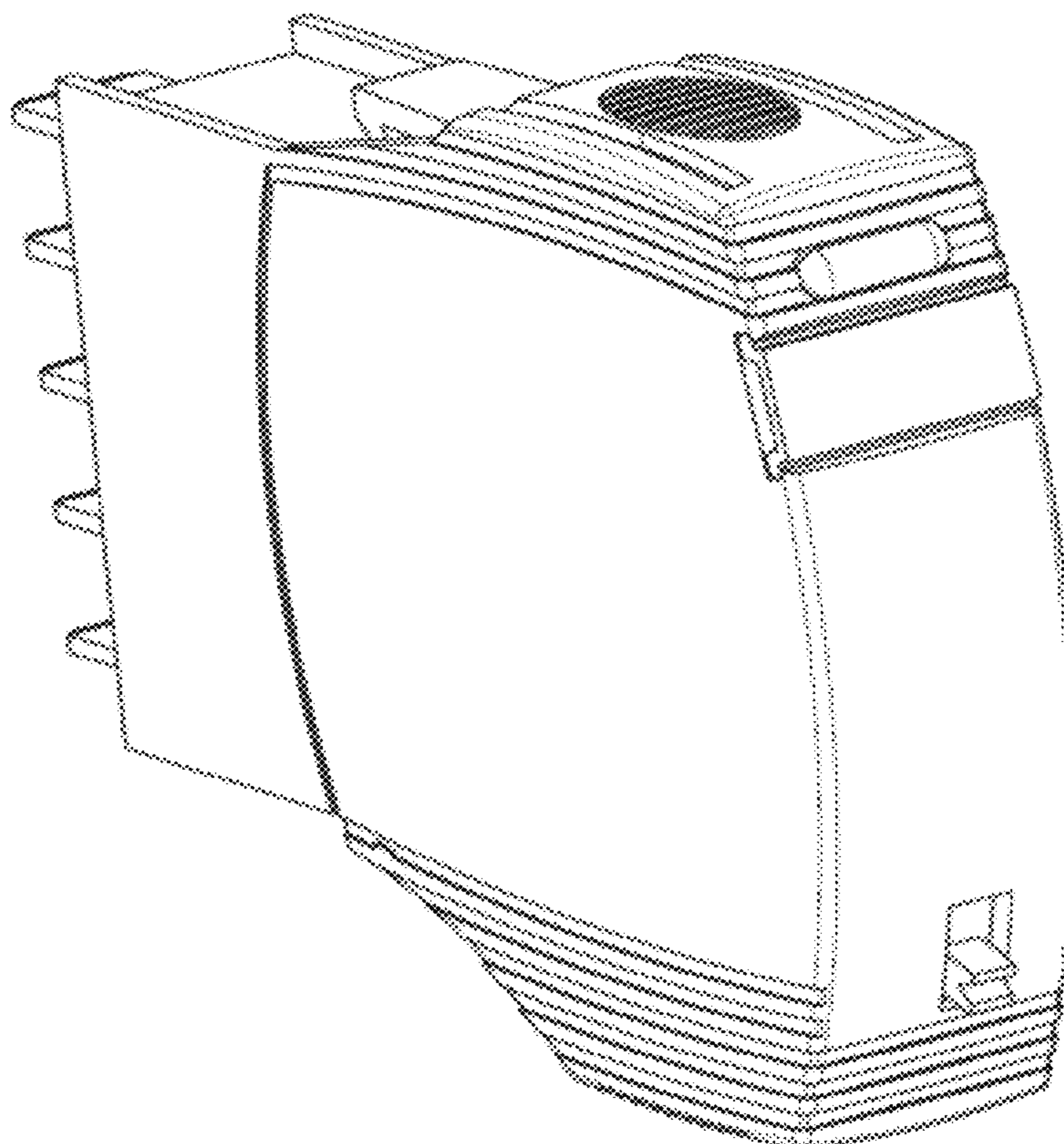
(57) **CLAIM**

The ornamental design for a circuit breaker, as shown and described.

**DESCRIPTION**

FIG. 1 is a perspective view of a circuit breaker, showing my new design;  
FIG. 2 is a front elevational view thereof;  
FIG. 3 is rear elevational view thereof;  
FIG. 4 is a right side elevational view thereof;  
FIG. 5 is a left side elevational view thereof;  
FIG. 6 is a top plan view thereof; and,  
FIG. 7 is a bottom plan view thereof.

**1 Claim, 7 Drawing Sheets**



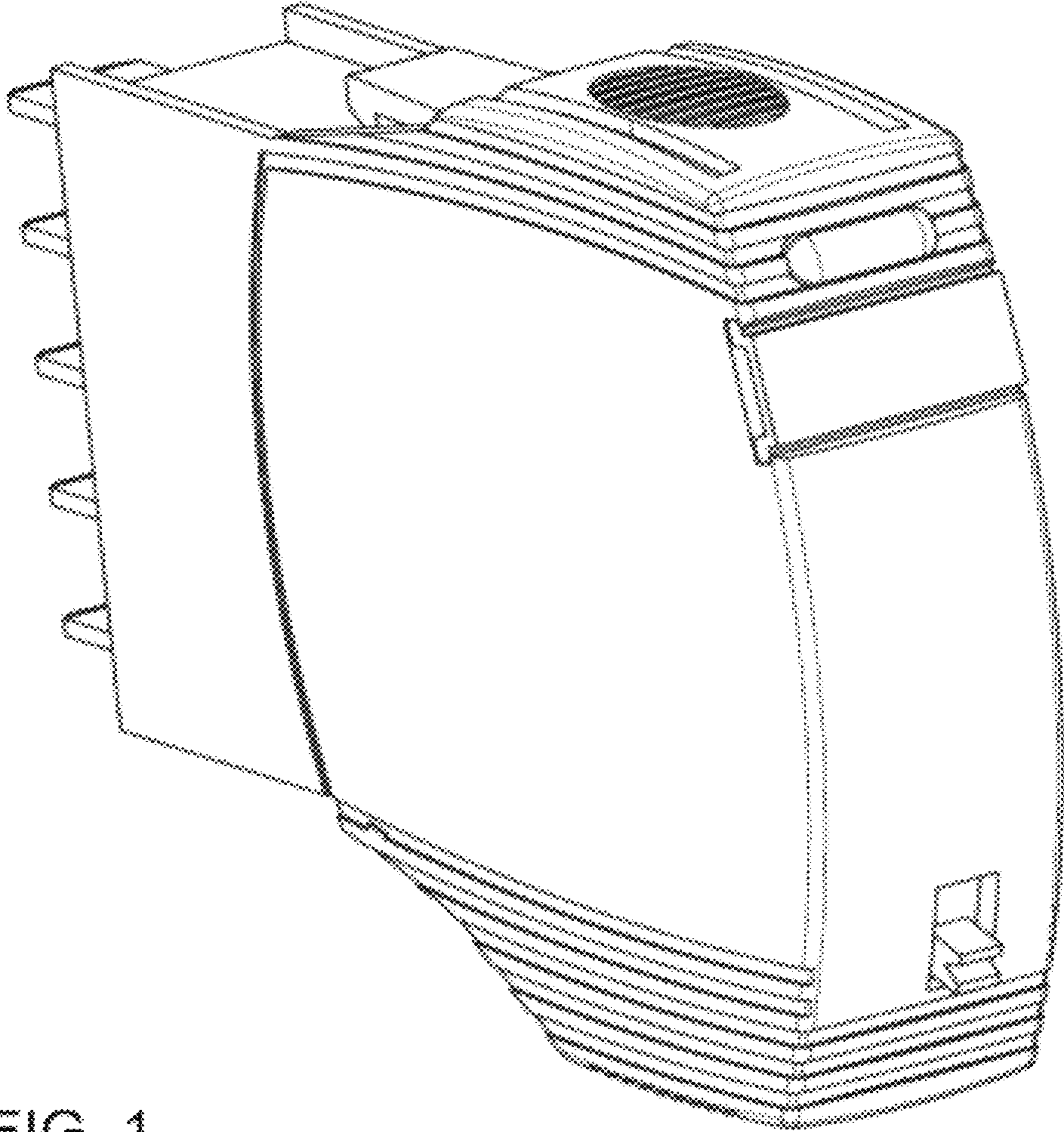


FIG. 1

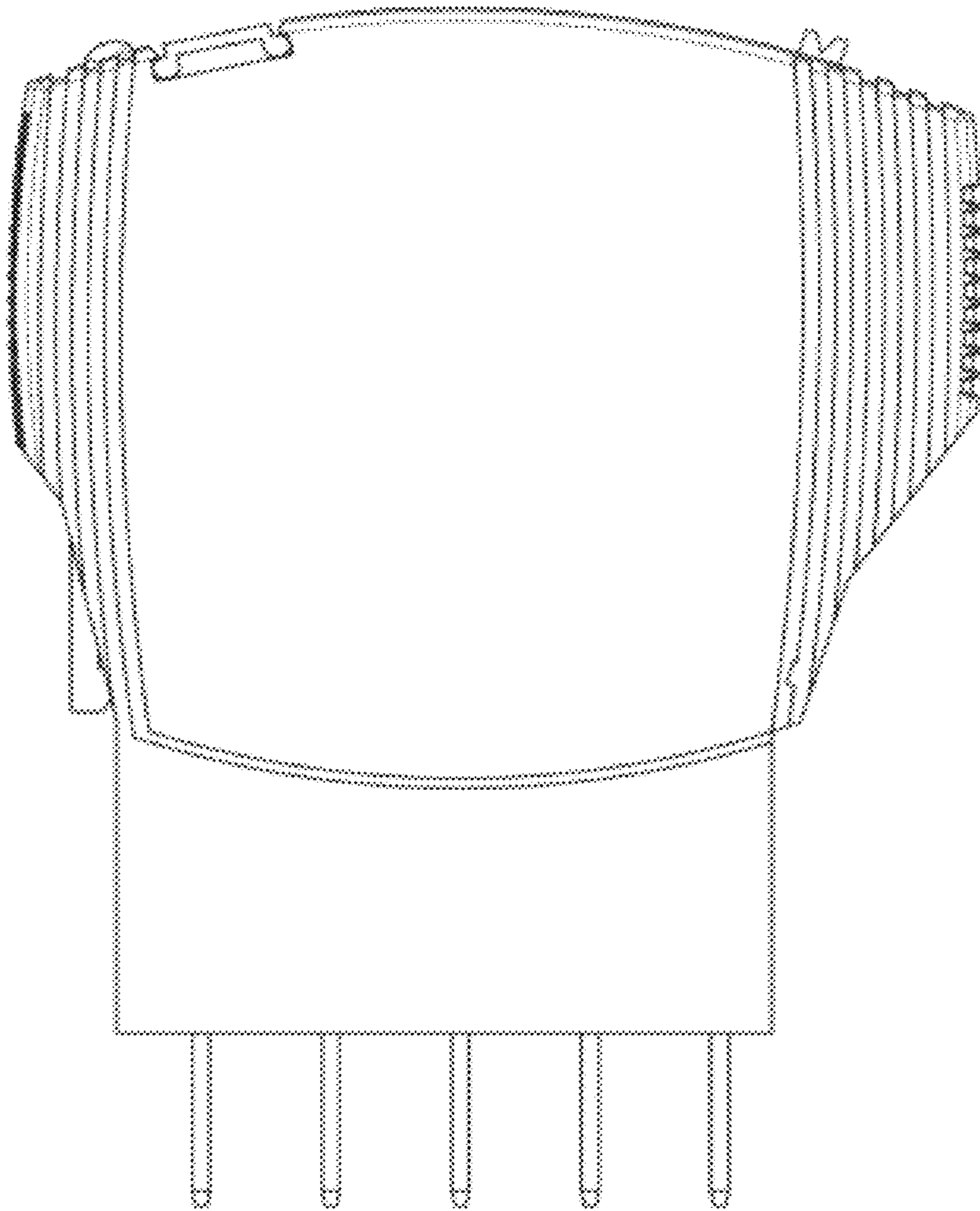


FIG. 2

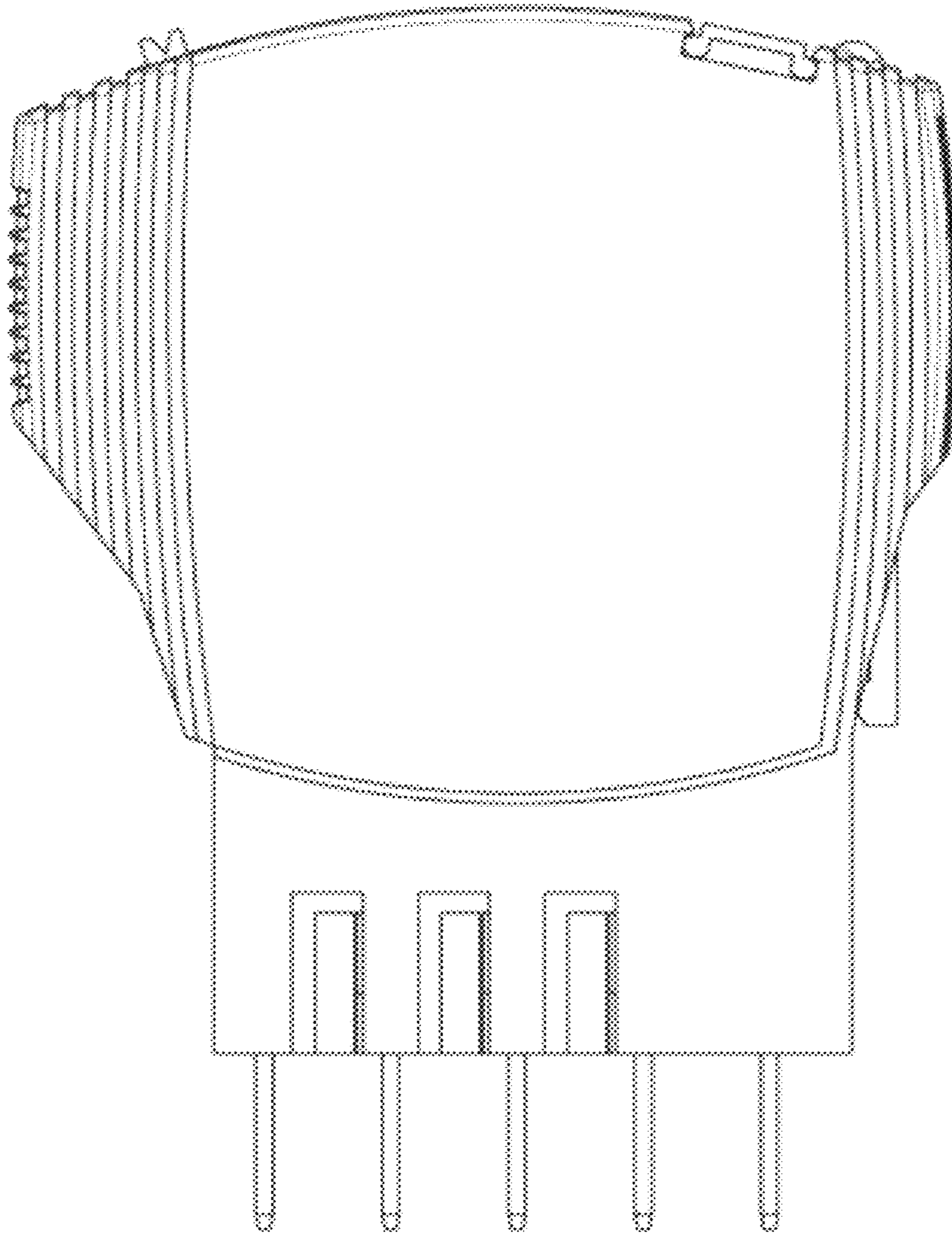


FIG. 3

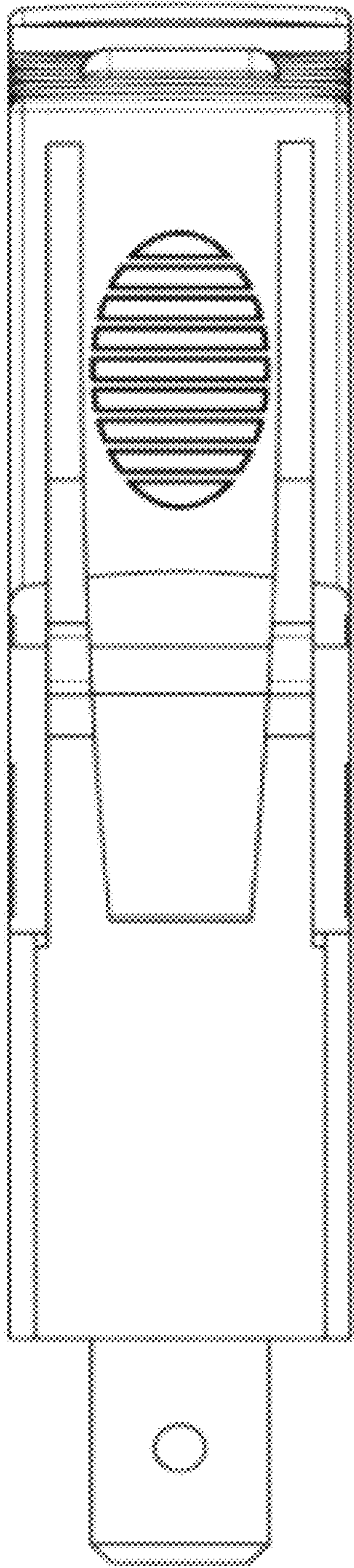


FIG. 4

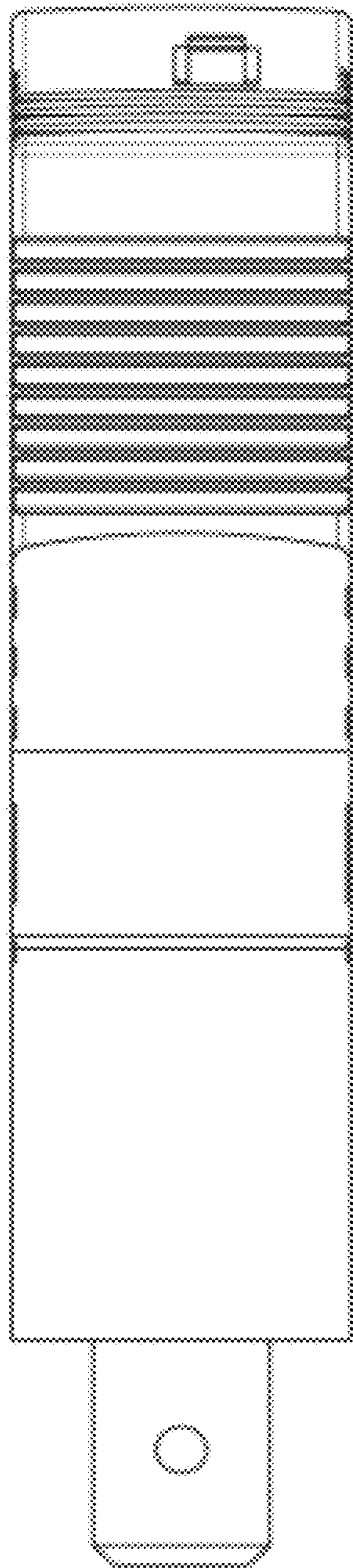


FIG. 5

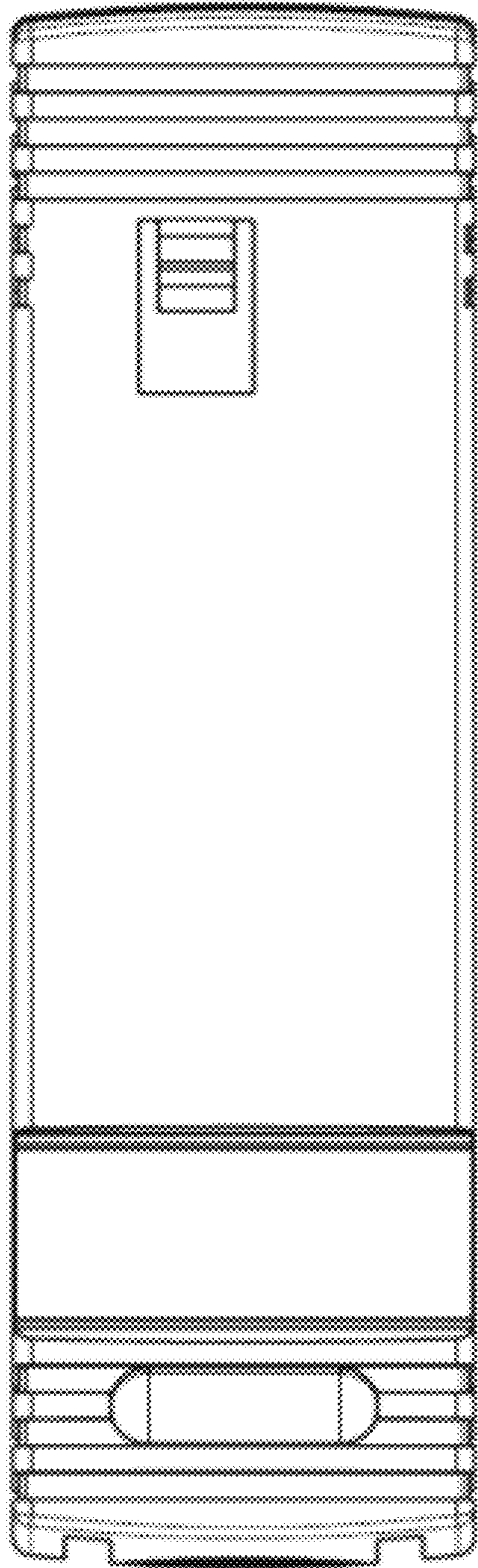


FIG. 6

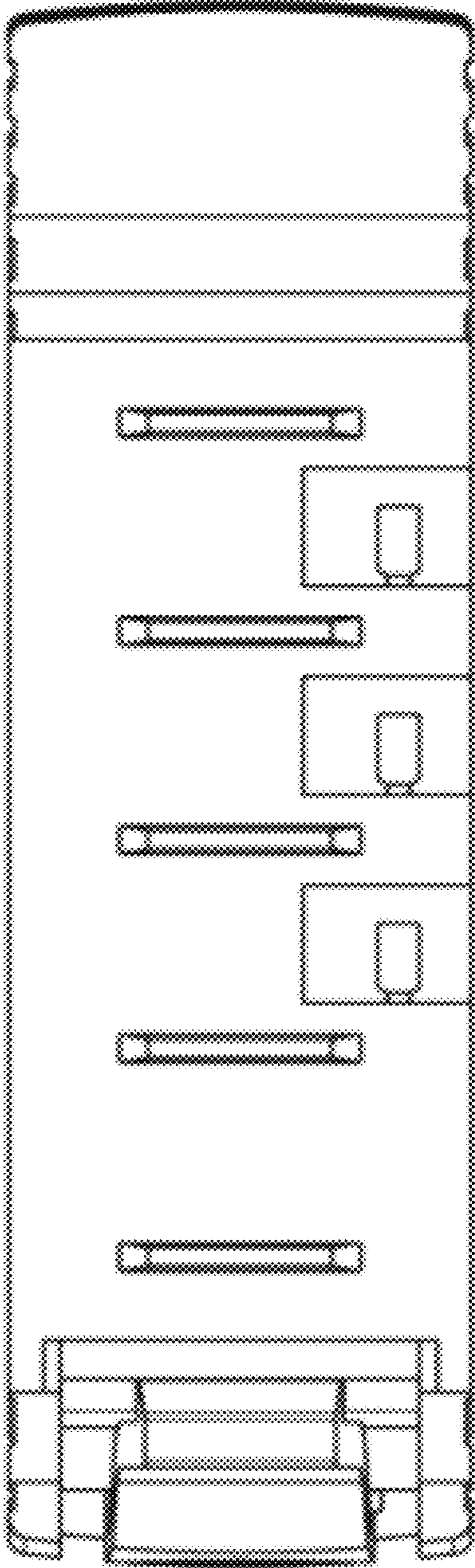


FIG. 7