



US00D672318S

(12) **United States Design Patent**  
**Smith**

(10) **Patent No.:** **US D672,318 S**

(45) **Date of Patent:** **\*\* Dec. 11, 2012**

(54) **DUPLEX FILLER PLUG**

(75) Inventor: **Lawrence Smith**, Stamford, CT (US)

(73) Assignee: **Bridgeport Fittings, Inc.**, Stratford, CT (US)

(\*\*) Term: **14 Years**

(21) Appl. No.: **29/370,625**

(22) Filed: **Aug. 13, 2010**

(51) **LOC (9) Cl.** ..... **13-03**

(52) **U.S. Cl.** ..... **D13/156**

(58) **Field of Classification Search** ..... D13/156,  
D13/133, 145, 146, 148, 149, 153, 154, 199;  
D8/349, 354, 382, 387, 394; D9/434, 439;  
174/66, 68.1, 93, 151; 385/55, 76, 88, 89;  
439/345, 369, 370, 372, 521, 527, 528

See application file for complete search history.

(56) **References Cited**

**U.S. PATENT DOCUMENTS**

D244,027	S	*	4/1977	Mooney et al.	.....	D13/156
D254,446	S	*	3/1980	Raitto	.....	D24/130
D256,356	S	*	8/1980	Lazerson	.....	D13/156
4,798,440	A	*	1/1989	Hoffer et al.	.....	385/89
5,261,914	A	*	11/1993	Warren	.....	606/323
5,293,581	A	*	3/1994	DiMarco	.....	385/76
5,442,140	A	*	8/1995	McGrane	.....	174/151

D368,250	S	*	3/1996	Castaldo	.....	D13/156
D381,630	S	*	7/1997	Garcia et al.	.....	D13/152
D410,631	S	*	6/1999	Foster	.....	D13/156
D411,170	S	*	6/1999	Deutsch	.....	D13/146
D437,293	S	*	2/2001	Yudis et al.	.....	D13/156
D444,452	S	*	7/2001	Smith	.....	D13/154
D467,553	S	*	12/2002	Cheng	.....	D13/154

\* cited by examiner

*Primary Examiner* — Derrick Holland

(74) *Attorney, Agent, or Firm* — Ware, Fressola, Van Der Sluys & Adolphson LLP

(57) **CLAIM**

The ornamental design for a duplex filler plug, as shown and described.

**DESCRIPTION**

FIG. 1 is a front perspective view of a duplex filler plug showing my new design in environmental use;

FIG. 2 is a bottom plan view thereof;

FIG. 3 is a side elevational view thereof;

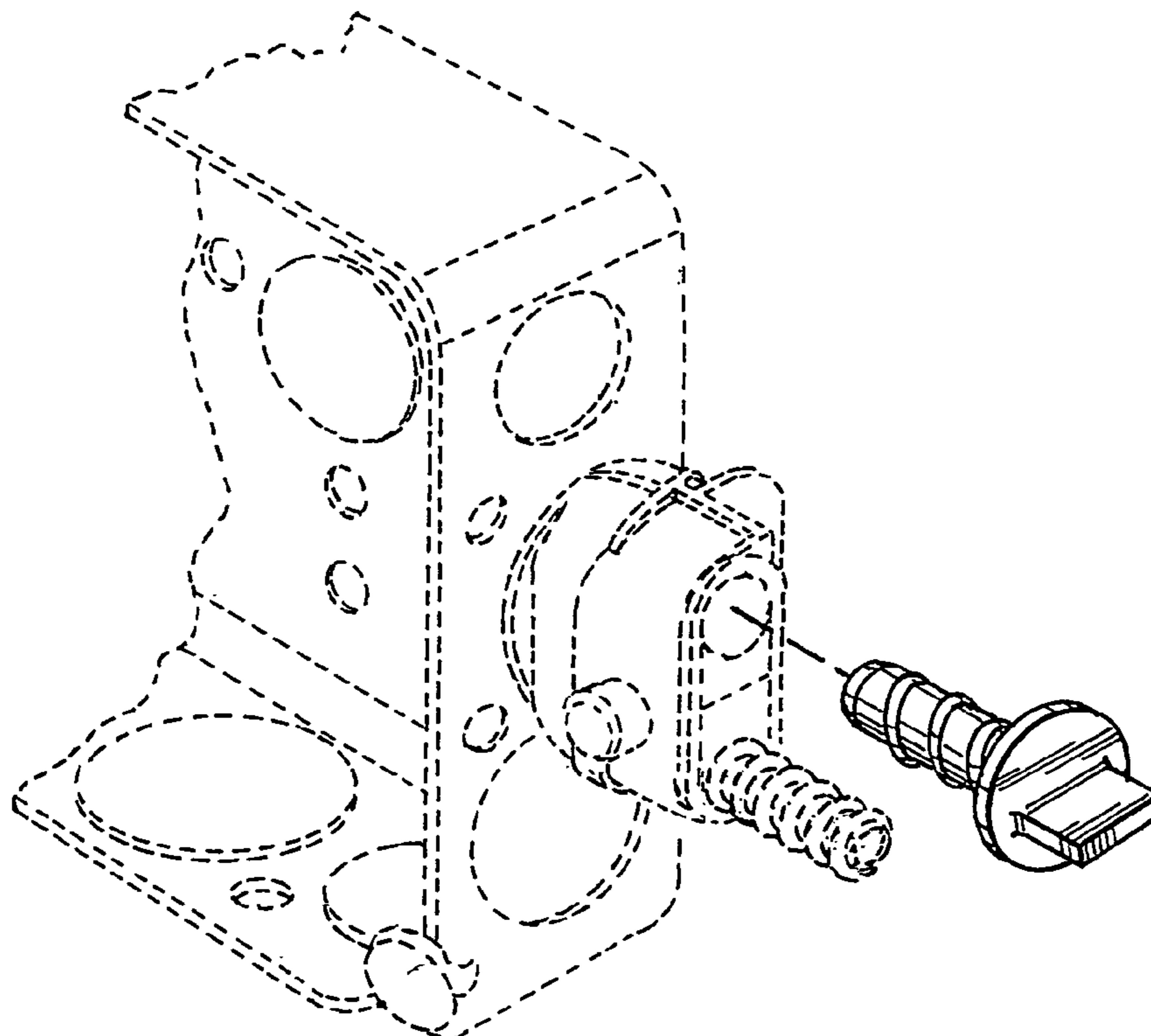
FIG. 4 is a top plan view thereof;

FIG. 5 is a side elevational view of that shown in FIG. 1 rotated 90° from the side elevational view in FIG. 3; and,

FIG. 6 is a bottom perspective view thereof.

The broken lines shown represent unclaimed subject matter and form no part of the claimed design.

**1 Claim, 2 Drawing Sheets**



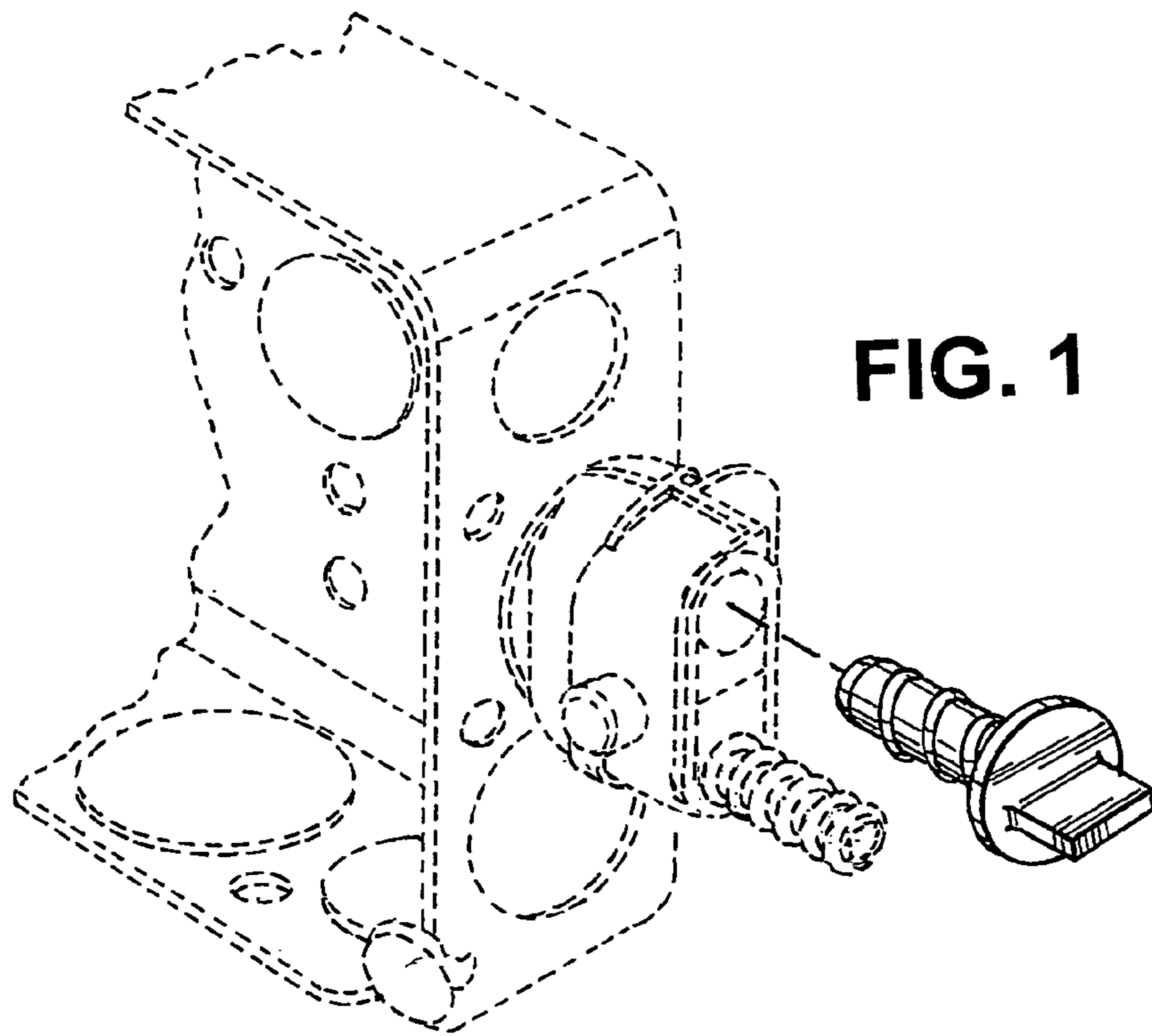
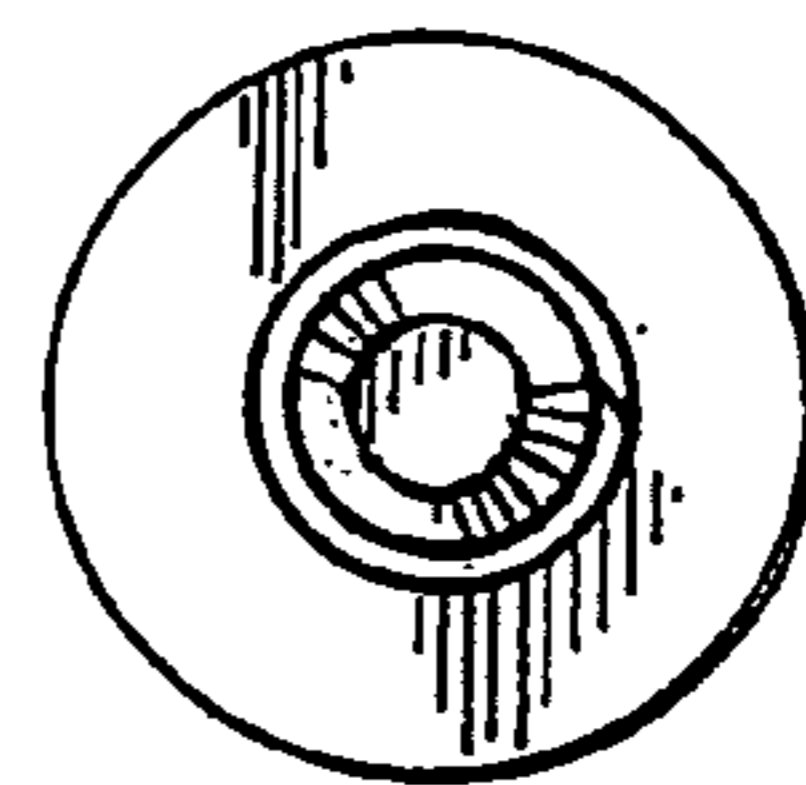
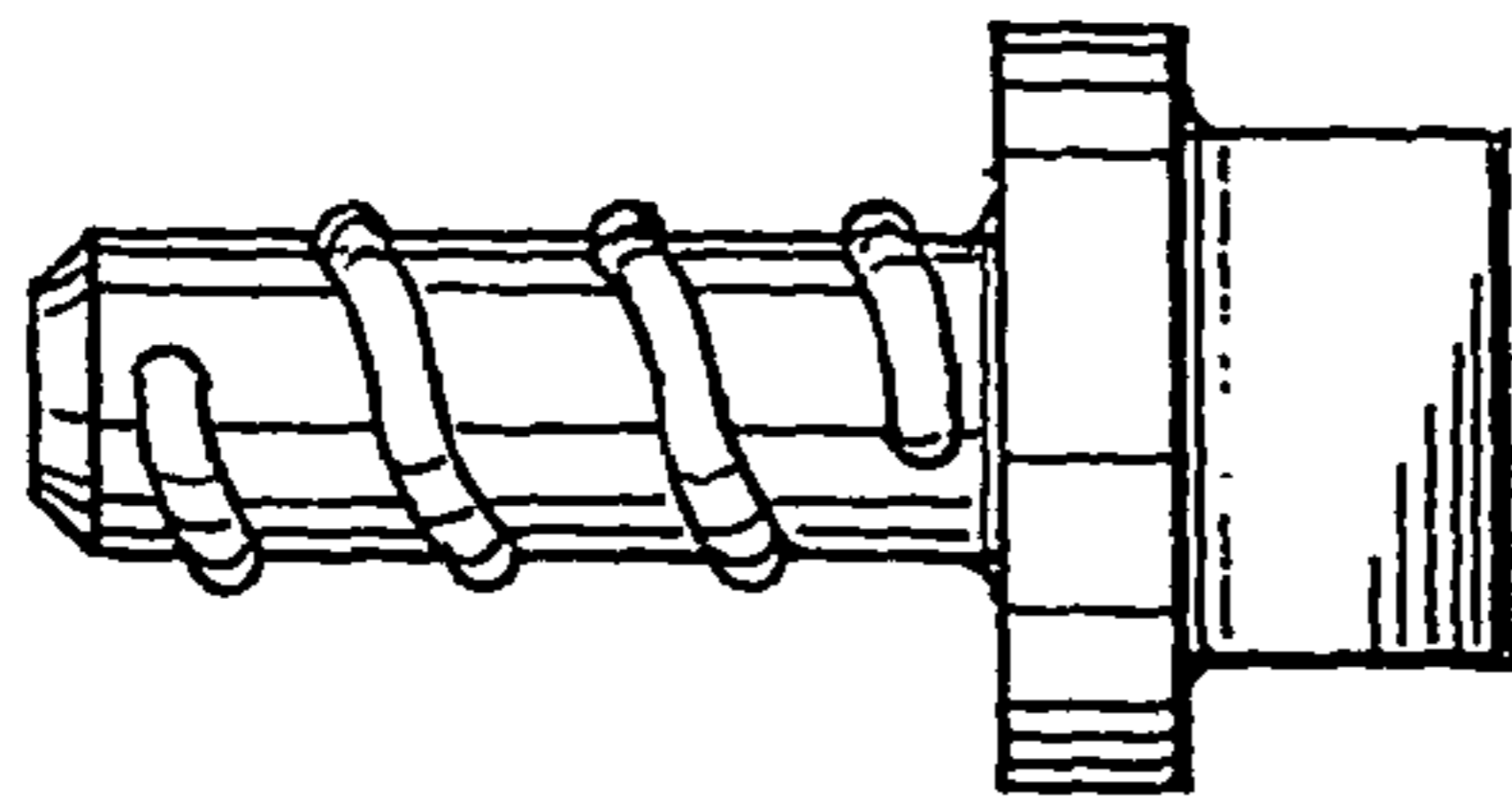


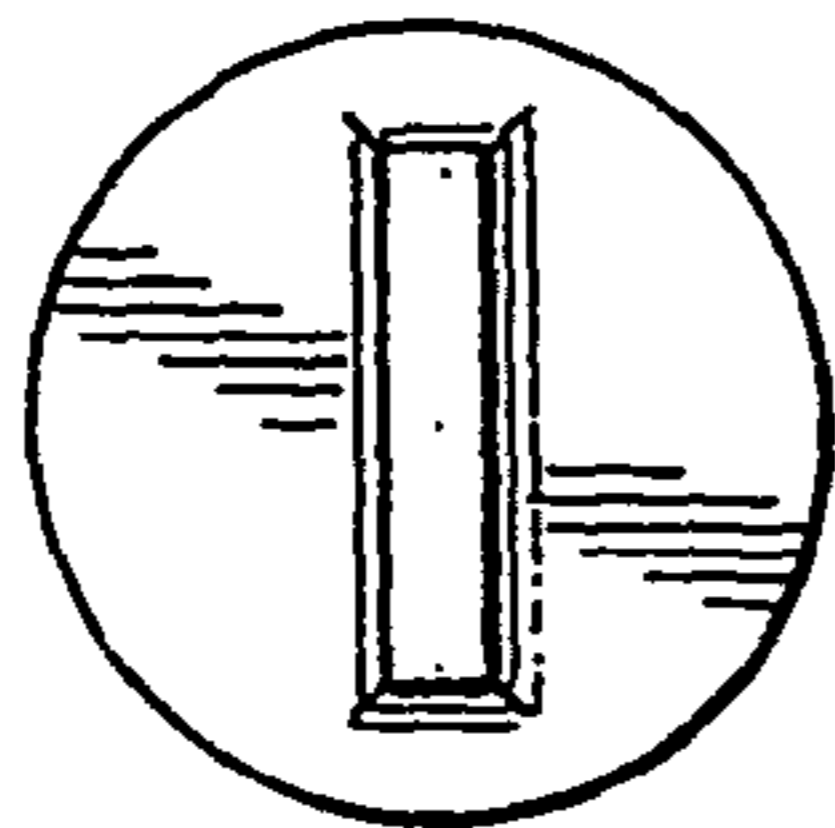
FIG. 2



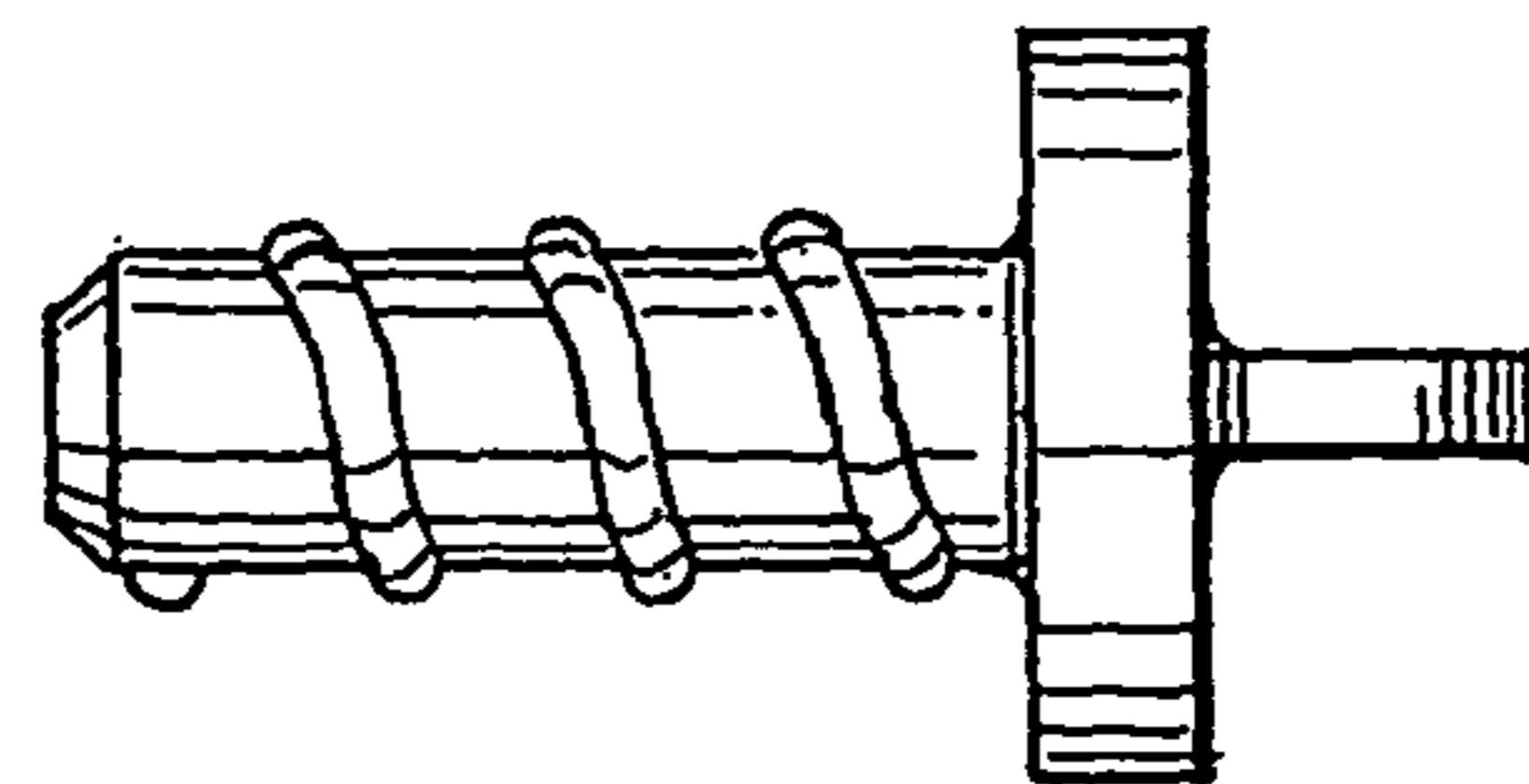


**FIG. 3**

**FIG. 4**



**FIG. 5**



**FIG. 6**

