



US00D672317S

(12) **United States Design Patent**
Jibiki

(10) **Patent No.:** **US D672,317 S**
(45) **Date of Patent:** **** Dec. 11, 2012**

(54) **SHUTTER FOR OPTICAL FIBER ADAPTOR**

D626,089 S * 10/2010 Luo et al. D13/154

(75) Inventor: **Masayuki Jibiki**, Matsudo (JP)

* cited by examiner

(73) Assignee: **Seikoh Giken Co., Ltd.**, Chiba (JP)

Primary Examiner — Daniel Bui

(**) Term: **14 Years**

(74) *Attorney, Agent, or Firm* — Jean C. Edwards, Esq.;
Edwards Neils PLLC

(21) Appl. No.: **29/371,343**

(57) **CLAIM**

The ornamental design for a shutter for optical fiber adaptor,
as shown and described.

(22) Filed: **Jan. 7, 2011**

DESCRIPTION

(30) **Foreign Application Priority Data**

Jul. 9, 2010 (JP) D2010-016828

FIG. 1 is a front, top and right side perspective view of a shutter for optical fiber adaptor showing my new design; FIG. 2 is a rear, top and left side perspective view thereof; FIG. 3 is a front elevation view thereof; FIG. 4 is a rear elevation view thereof; FIG. 5 is a top plan view thereof; FIG. 6 is a bottom plan view thereof; FIG. 7 is a left side elevation view thereof; FIG. 8 is a right side elevation view thereof; FIG. 9 is a front, top and right side perspective view thereof, in use condition; FIG. 10 is a top plan view thereof; and, FIG. 11 is a cross sectional view thereof, taken along lines "11-11" in FIG. 10.

(51) **LOC (9) Cl.** **13-03**

(52) **U.S. Cl.** **D13/154**

(58) **Field of Classification Search** D13/118–120,
D13/133, 147, 154, 184, 199; 439/844, 849,
439/850–852, 865–867, 870, 877, 884–891
See application file for complete search history.

The broken line portion in the figure drawings is included for the purpose of illustrating environment and forms no part of the claimed design.

(56) **References Cited**

U.S. PATENT DOCUMENTS

3,604,065 A * 9/1971 Slominski 24/23 R
D572,191 S * 7/2008 Chen et al. D13/120
D589,903 S * 4/2009 Duan et al. D13/154
D624,025 S * 9/2010 Luo et al. D13/154

1 Claim, 11 Drawing Sheets

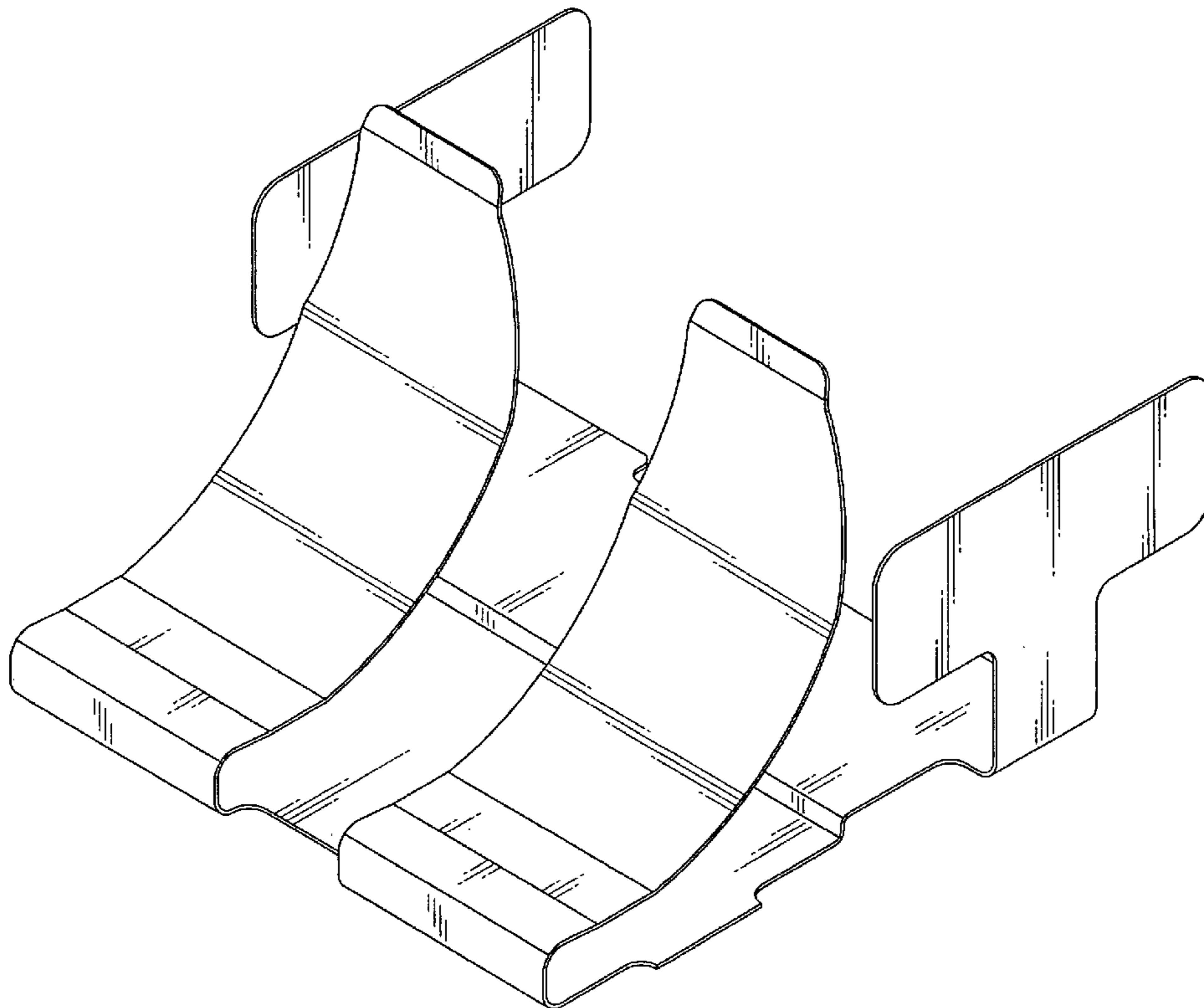


Fig. 1

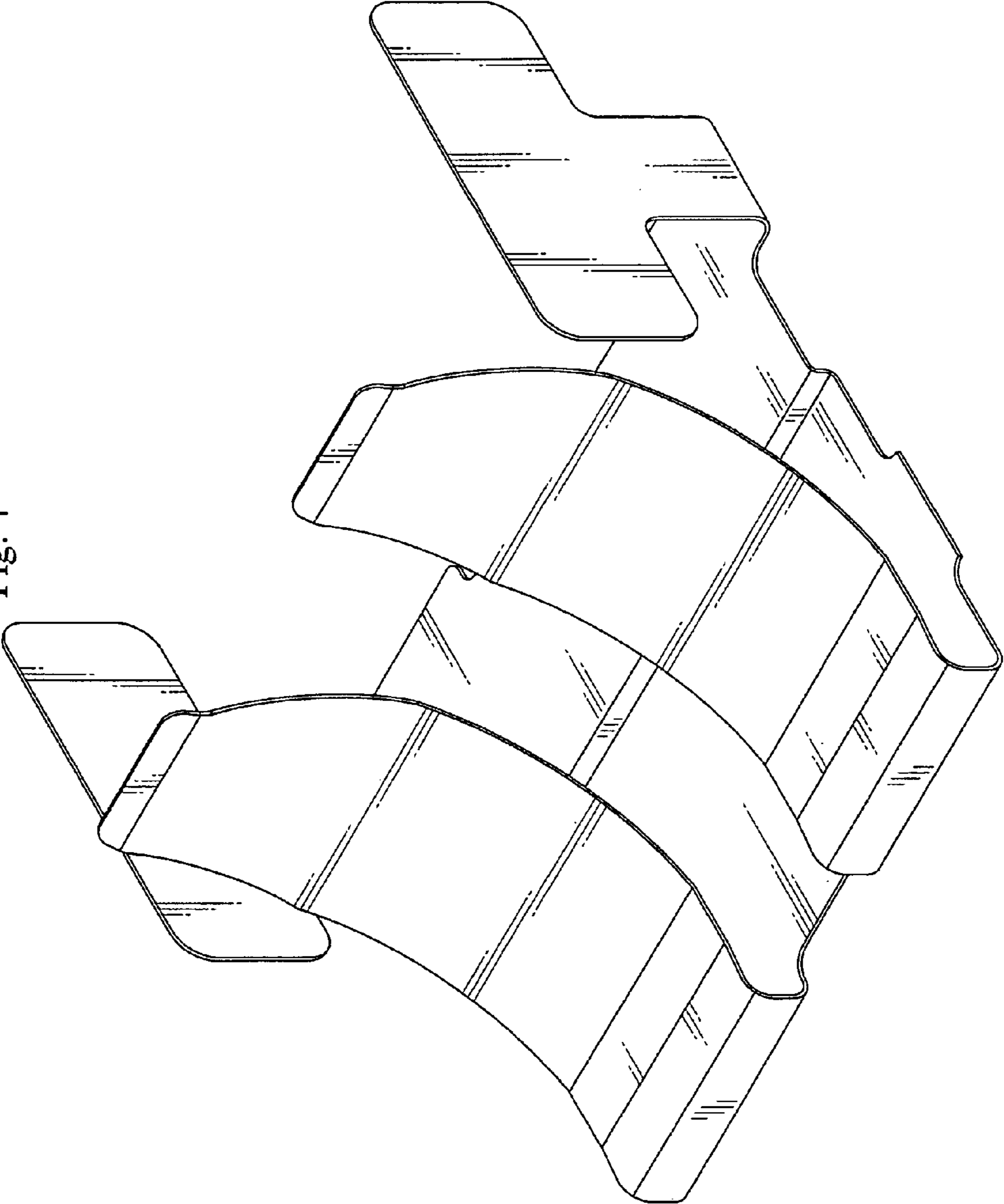


Fig. 2

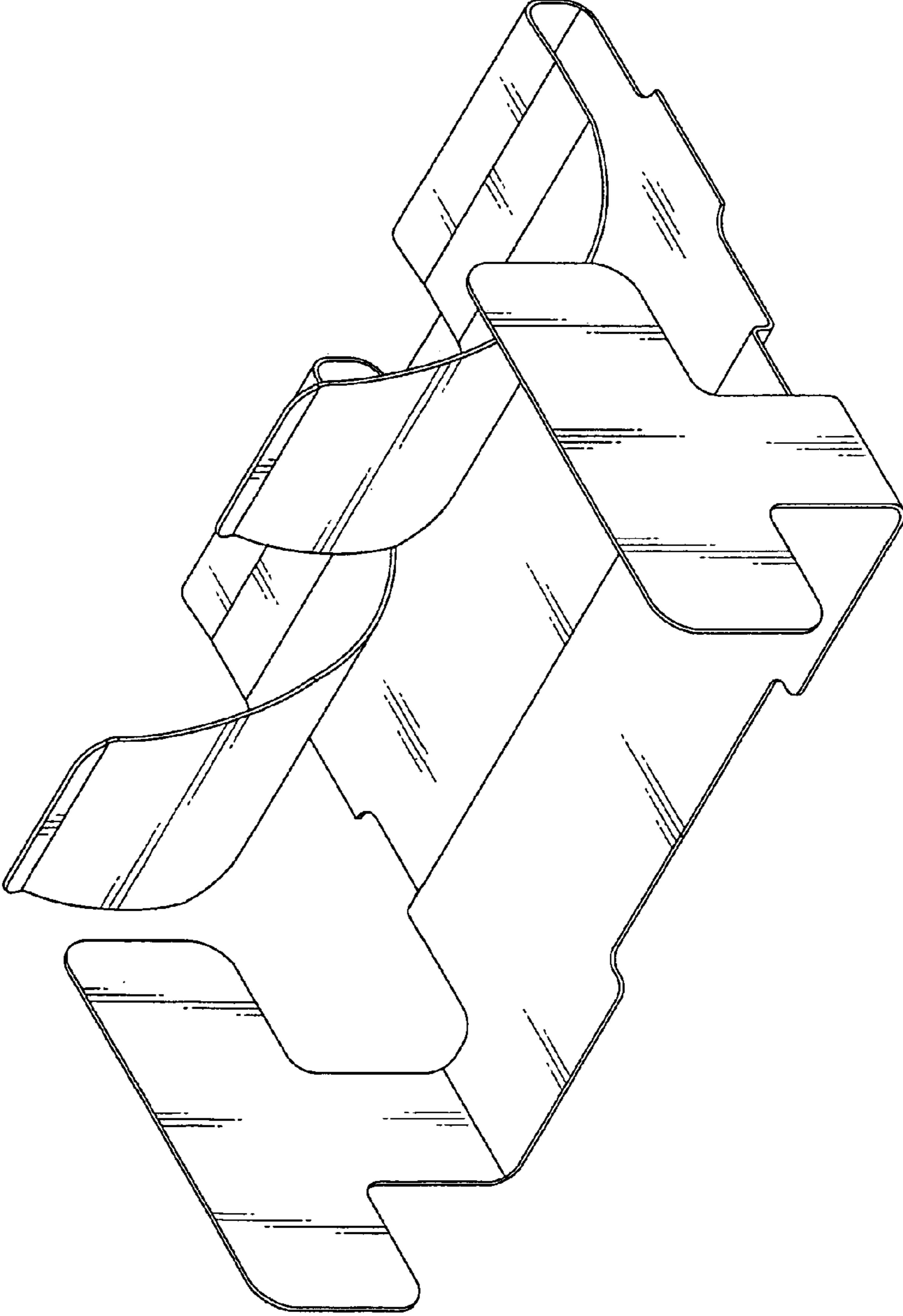


Fig. 3

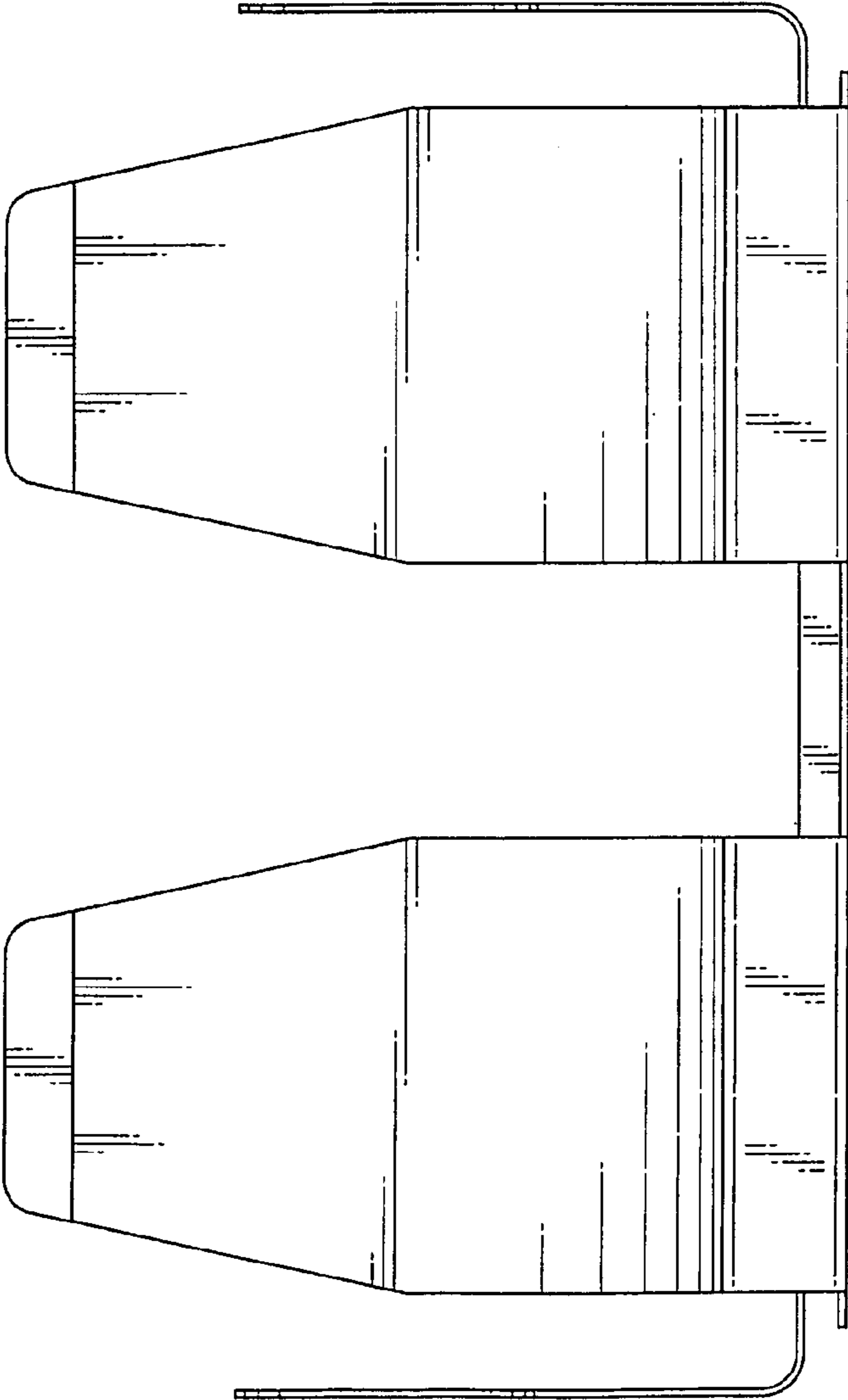
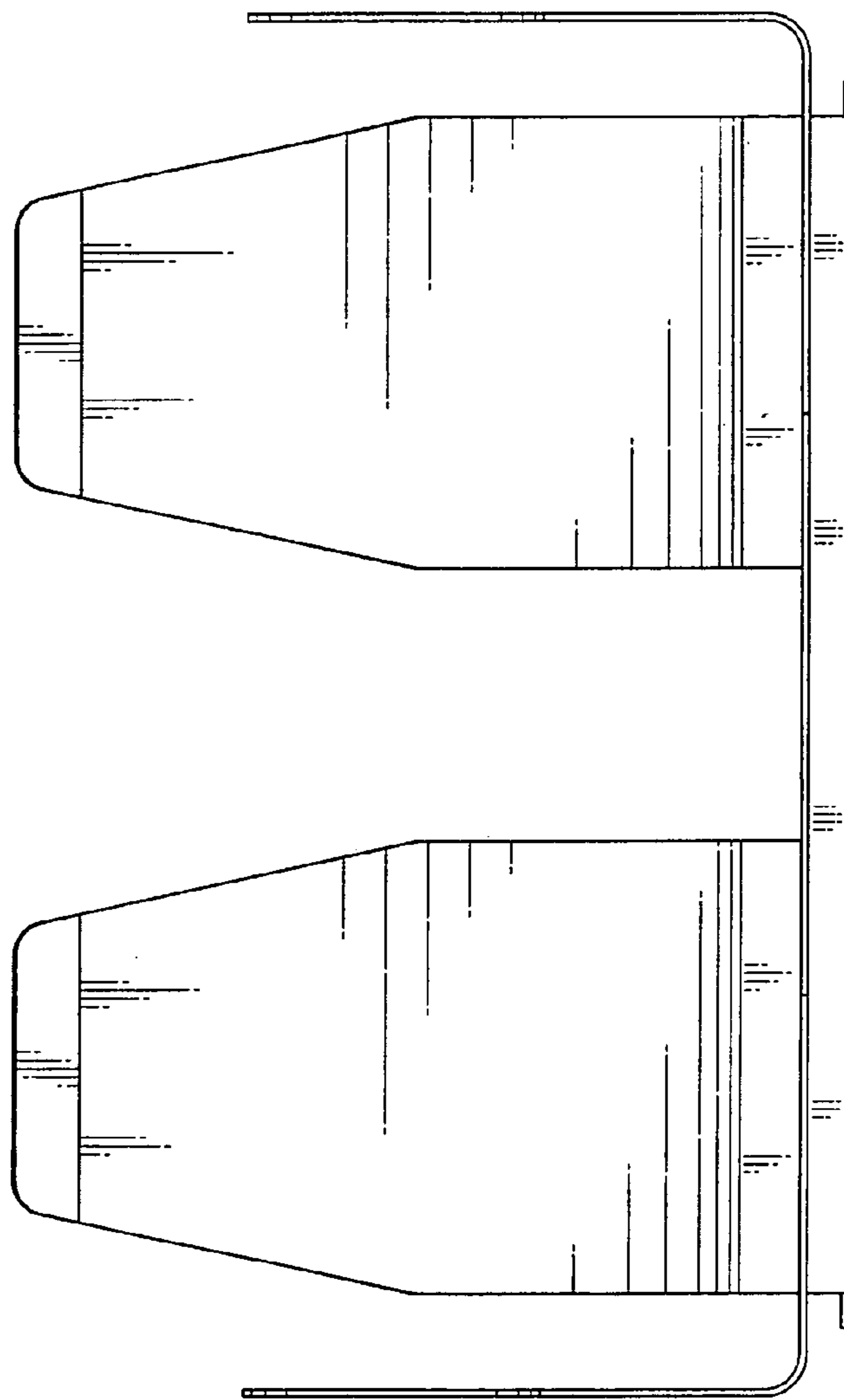


Fig. 4



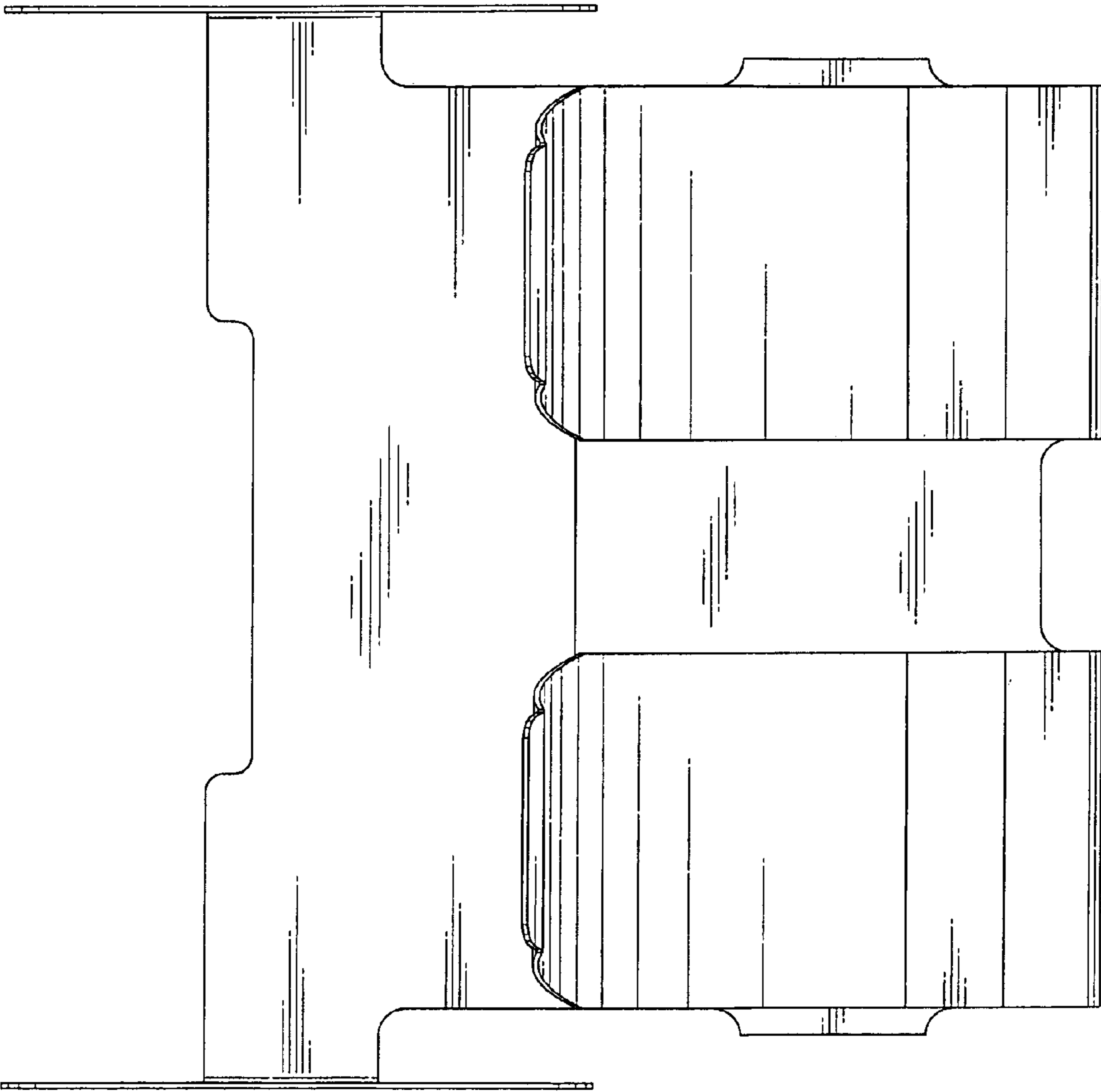


Fig. 5

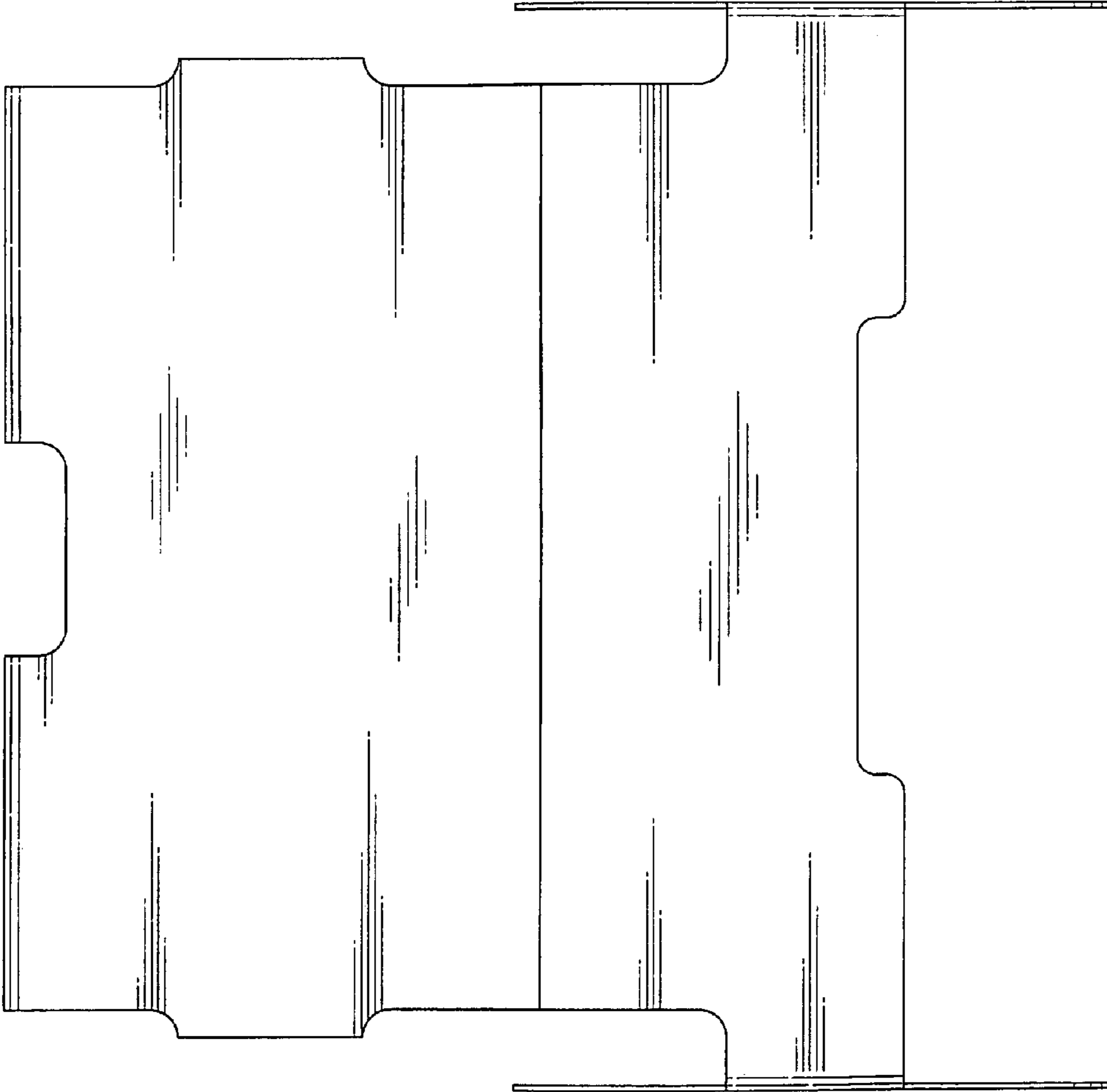


Fig. 6

Fig. 7

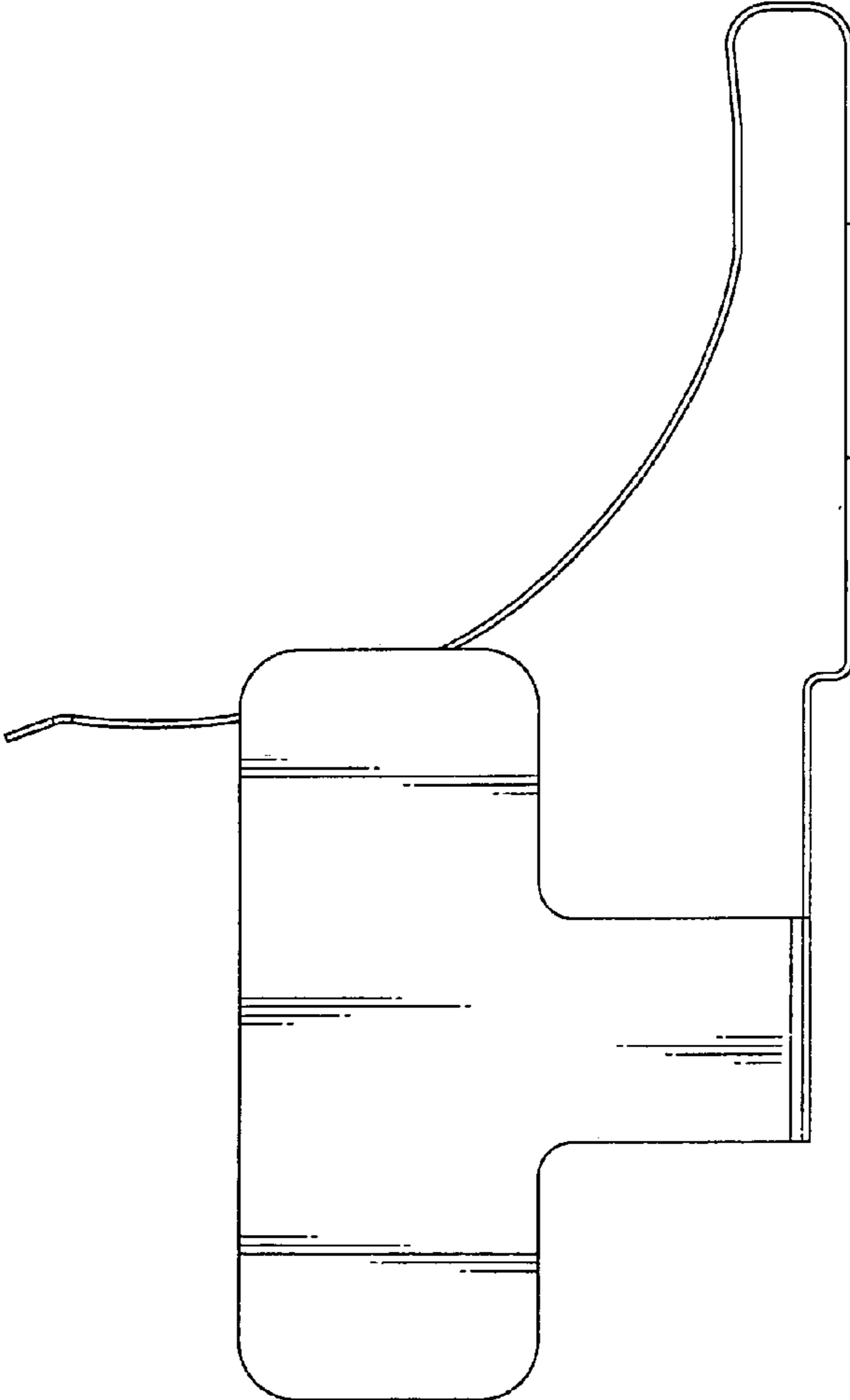
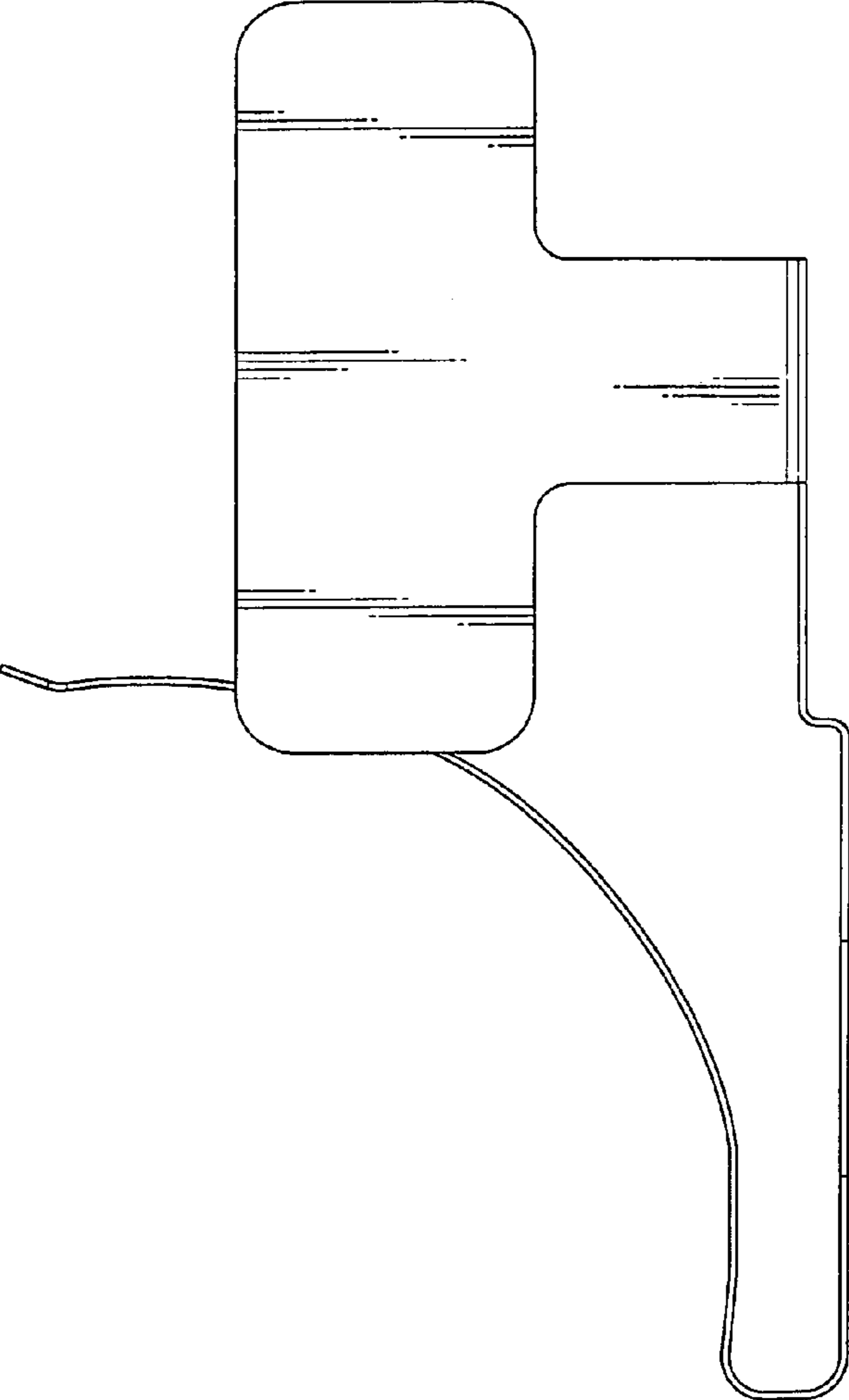


Fig. 8



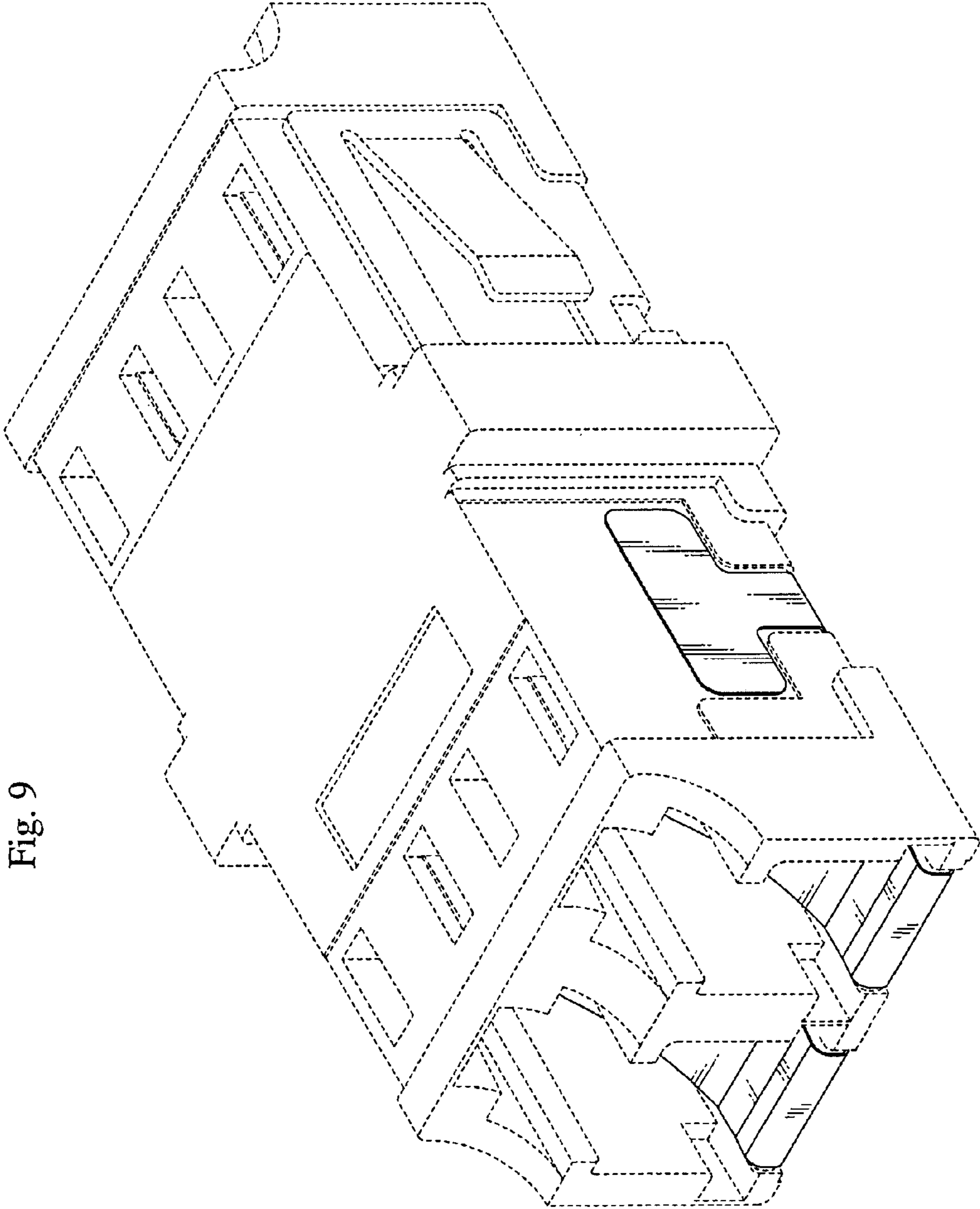


Fig. 9

Fig. 10

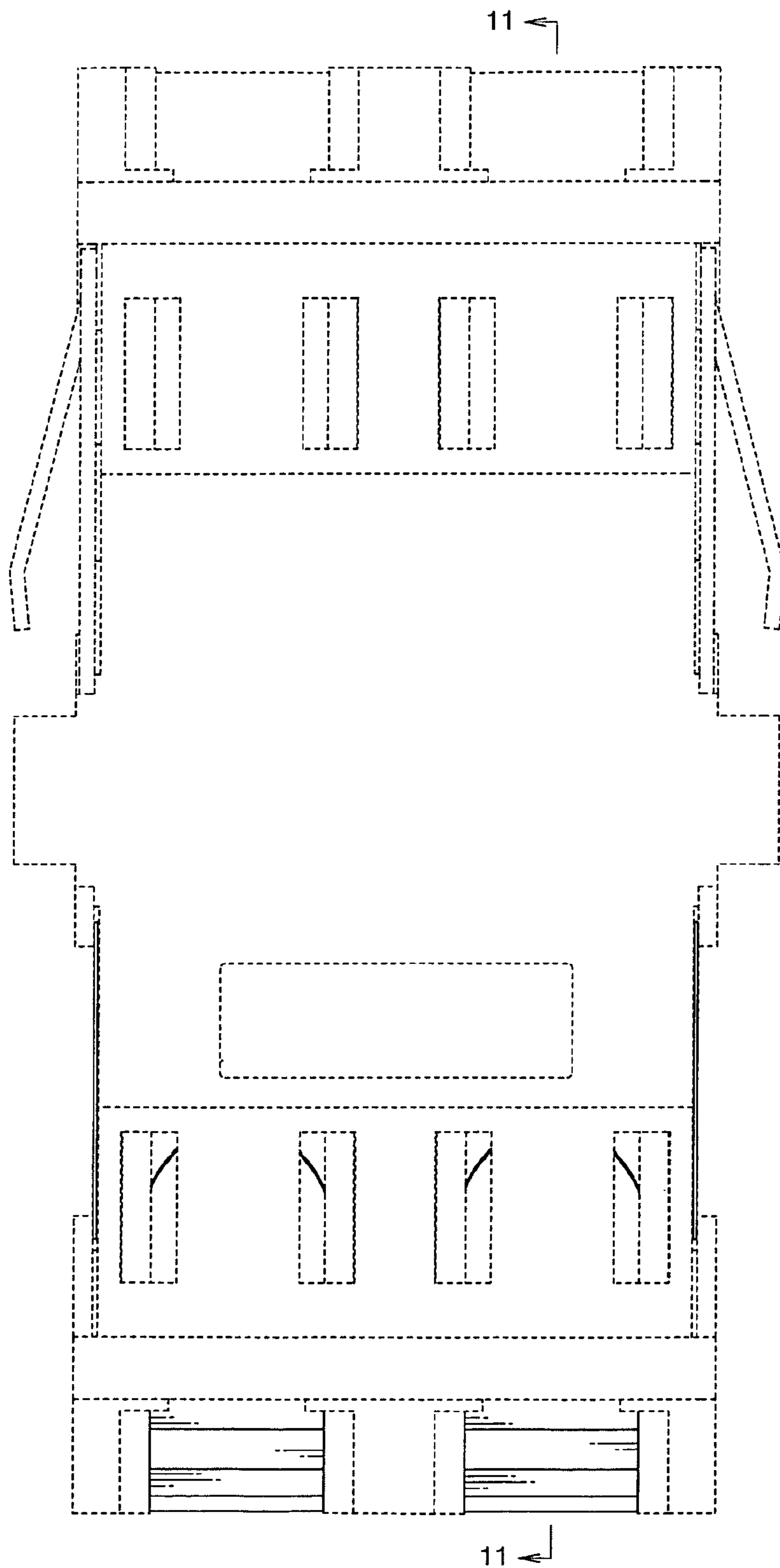


Fig. 11

