



US00D672314S

(12) **United States Design Patent**
Miyoshi

(10) **Patent No.:** **US D672,314 S**
(45) **Date of Patent:** **** Dec. 11, 2012**

(54) **ELECTRICAL CONNECTOR**
(75) Inventor: **Toshiharu Miyoshi, Yao (JP)**
(73) Assignee: **Hosiden Corporation, Yao-shi (JP)**
(**) Term: **14 Years**
(21) Appl. No.: **29/409,174**
(22) Filed: **Dec. 21, 2011**

(30) **Foreign Application Priority Data**
Jul. 8, 2011 (JP) 2011-015639
(51) **LOC (9) Cl.** **13-03**
(52) **U.S. Cl.** **D13/147**
(58) **Field of Classification Search** D13/133,
D13/146, 147, 154, 184, 199; 439/79, 248,
439/258, 274, 350, 352, 353, 354, 357, 358,
439/374, 447, 476.1, 594, 598, 607.01, 607.04,
439/607.05, 607.17, 607.25, 607.34, 607.41,
439/607.53, 656, 660, 668, 680, 711, 745,
439/752
See application file for complete search history.

(56) **References Cited**
U.S. PATENT DOCUMENTS
D295,850 S * 5/1988 Kikuta D13/147
D298,030 S * 10/1988 Kikuta D13/147

D311,380 S * 10/1990 Kameyama et al. D13/147
D320,975 S * 10/1991 Kawashima et al. D13/147
D332,774 S * 1/1993 Watanabe et al. D13/147
D335,649 S * 5/1993 Ogawa D13/147
D524,751 S * 7/2006 Lee et al. D13/147
D605,133 S * 12/2009 Tanaka et al. D13/147
D635,929 S * 4/2011 Kawakami et al. D13/147
D639,746 S * 6/2011 Lee et al. D13/147
D640,634 S * 6/2011 Lee et al. D13/147

* cited by examiner

Primary Examiner — Daniel Bui
(74) *Attorney, Agent, or Firm* — Rankin, Hill & Clark LLP

(57) **CLAIM**
The ornamental design for an electrical connector, as shown and described.

DESCRIPTION

FIG. 1 is a front, left side and top perspective view of an electrical connector showing my new design;
FIG. 2 is a front, left side and bottom perspective view thereof;
FIG. 3 is a front elevation view thereof, a rear elevation view being a mirror image thereof;
FIG. 4 is a left side view thereof;
FIG. 5 is a right side view thereof;
FIG. 6 is a top plan view thereof;
FIG. 7 is a bottom plan view thereof; and,
FIG. 8 is a sectional view taken along a line 8-8 in FIG. 4 thereof.

1 Claim, 3 Drawing Sheets

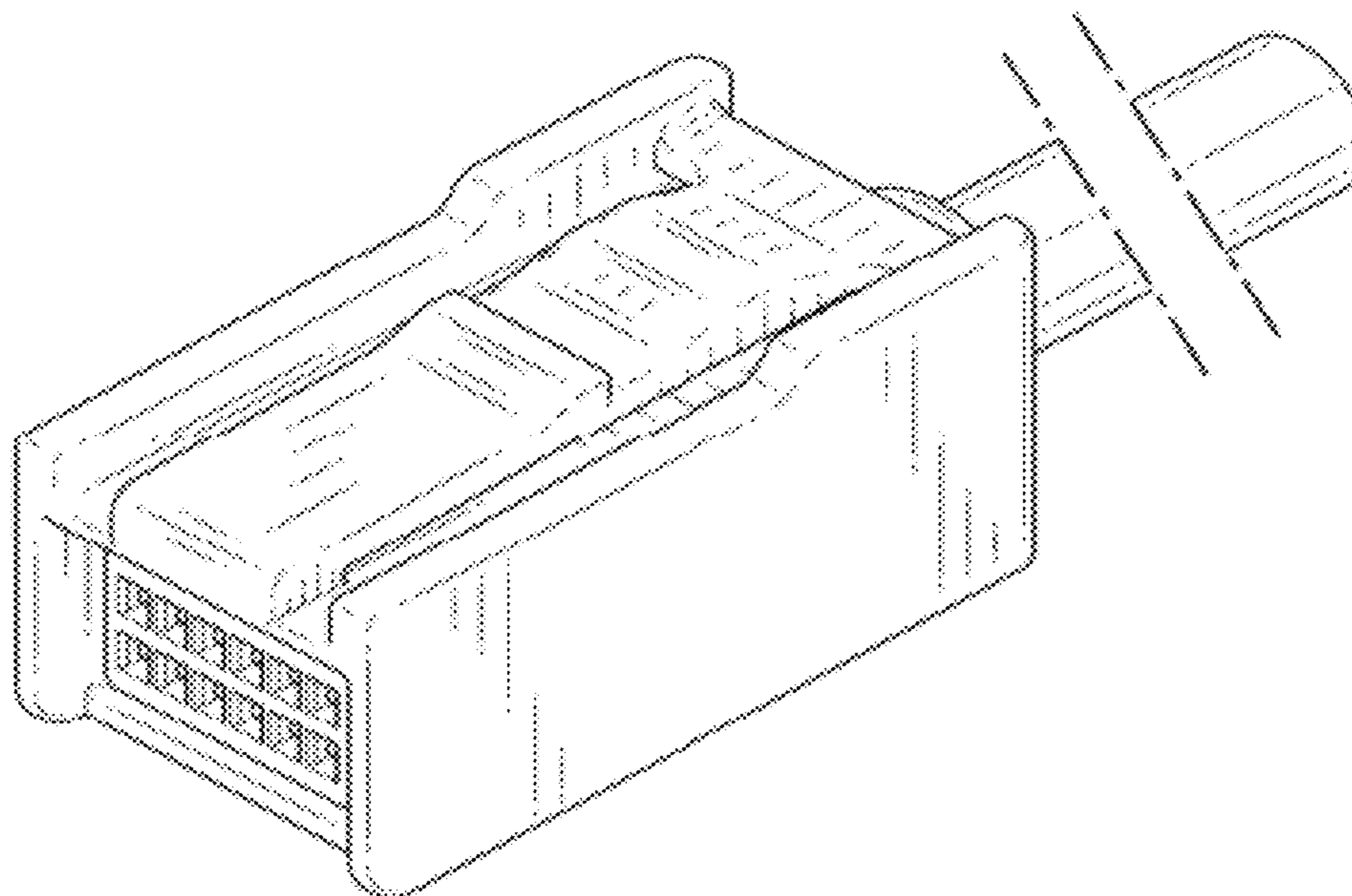


Fig. 1

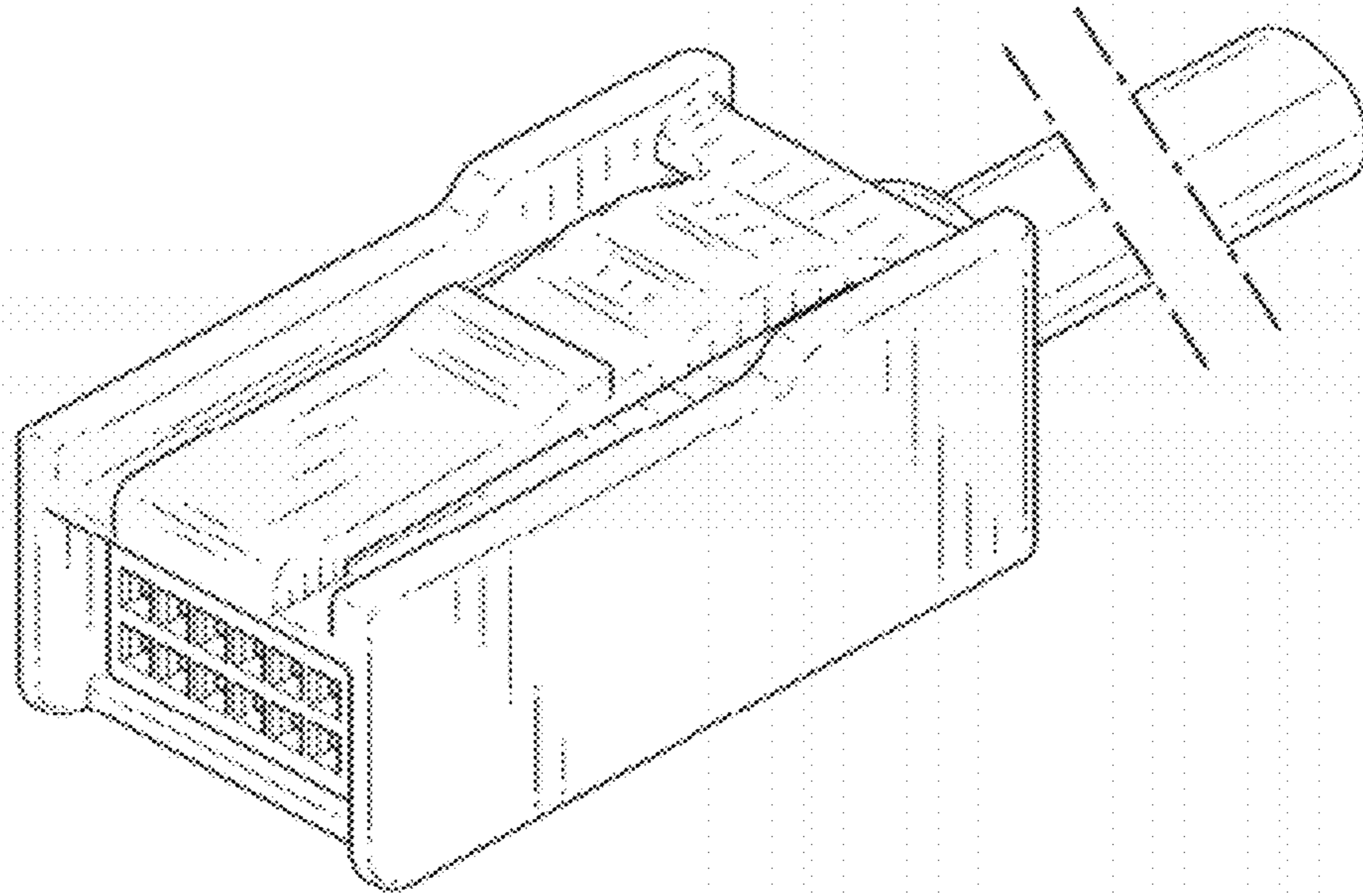


Fig. 2

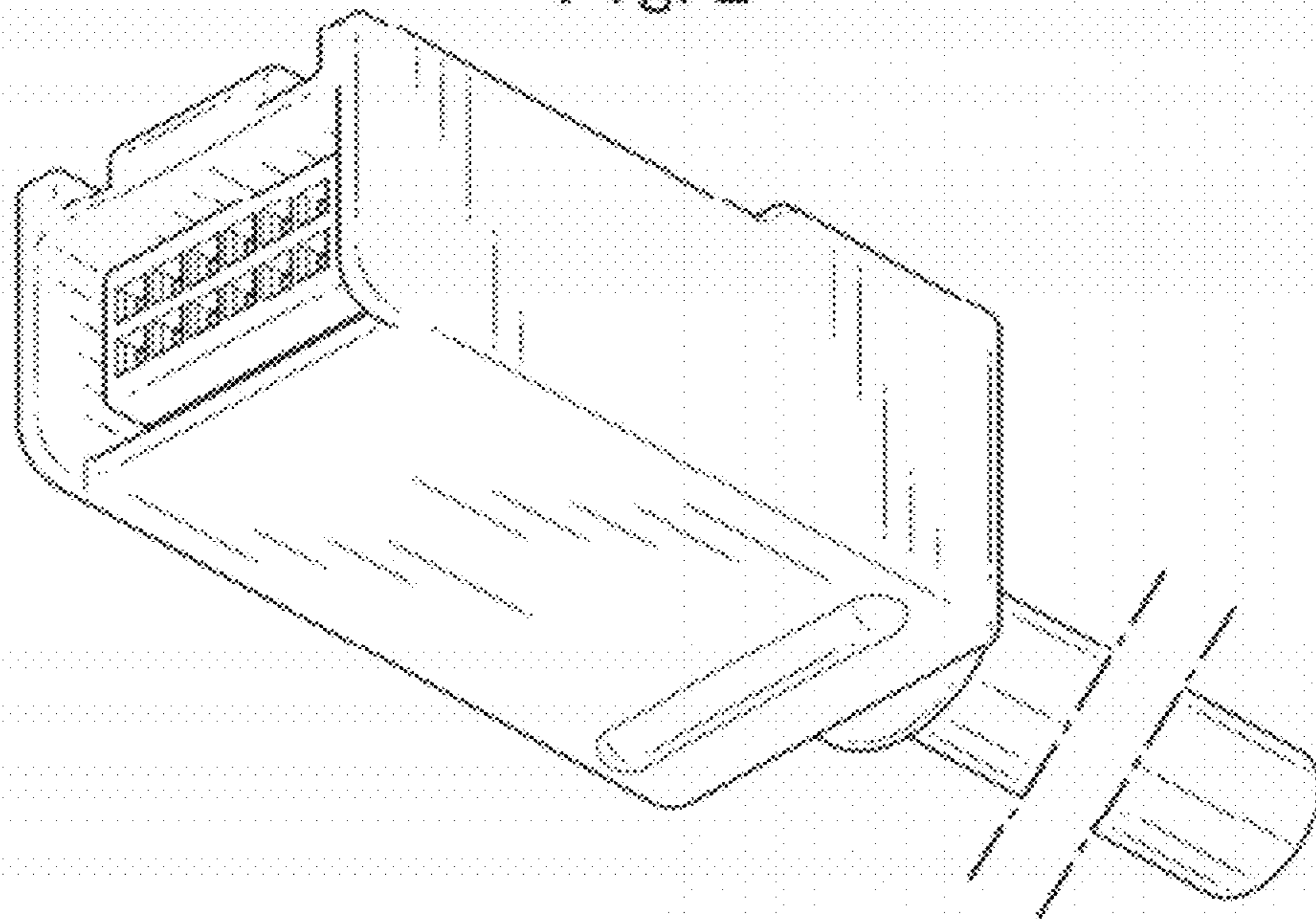


Fig. 3

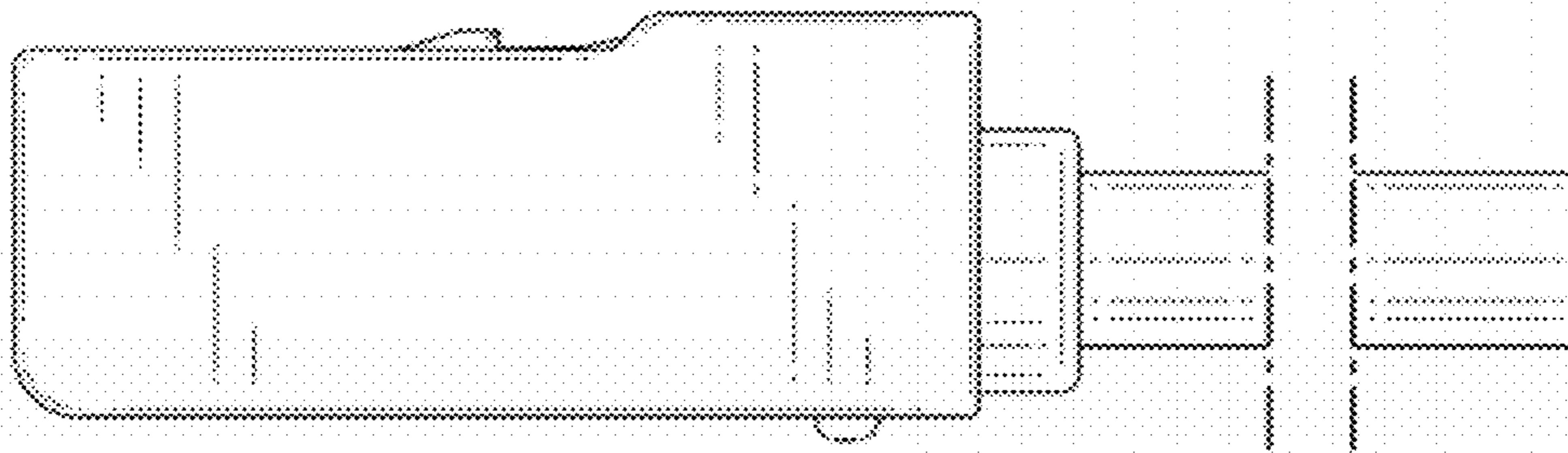


Fig. 4

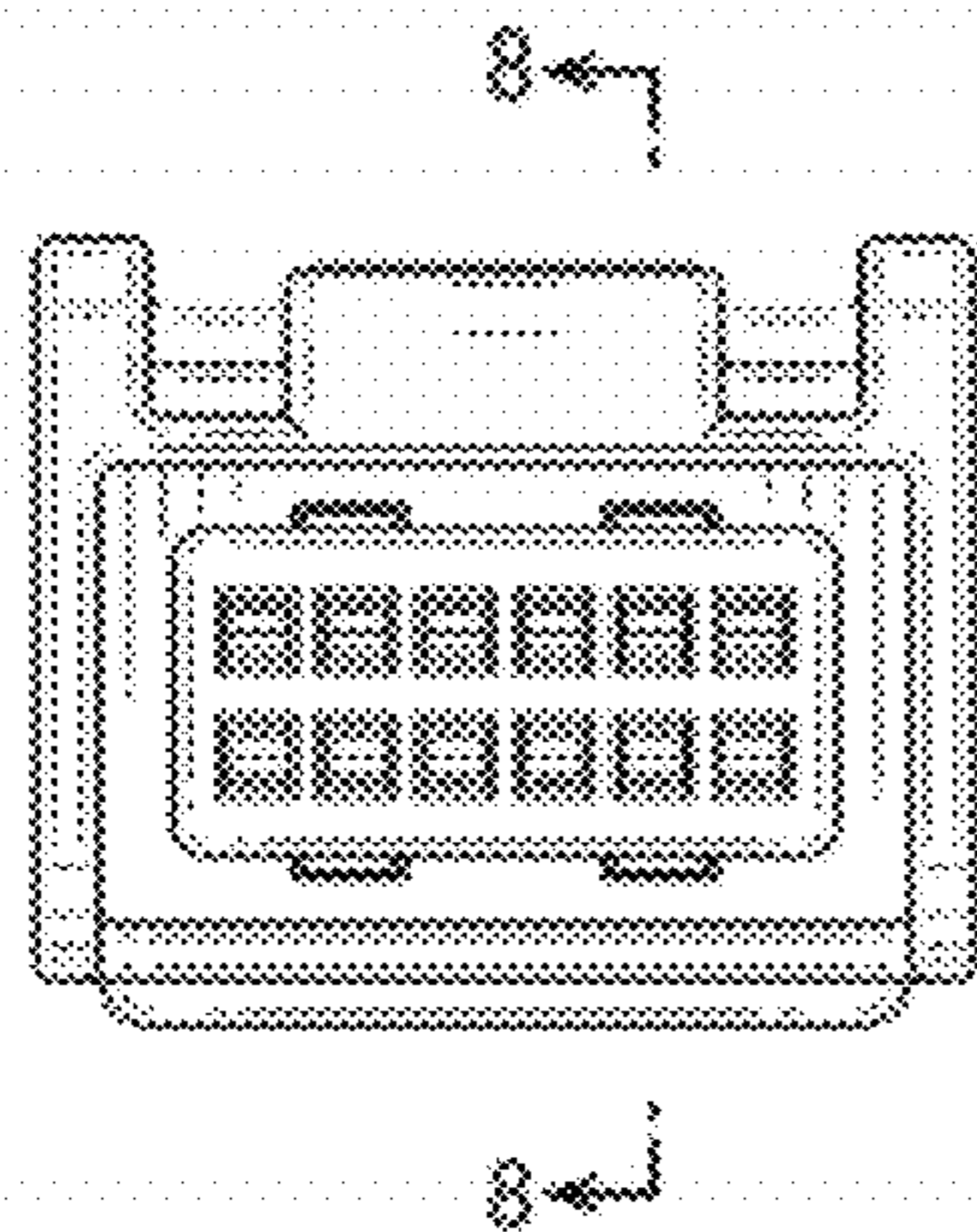


Fig. 5

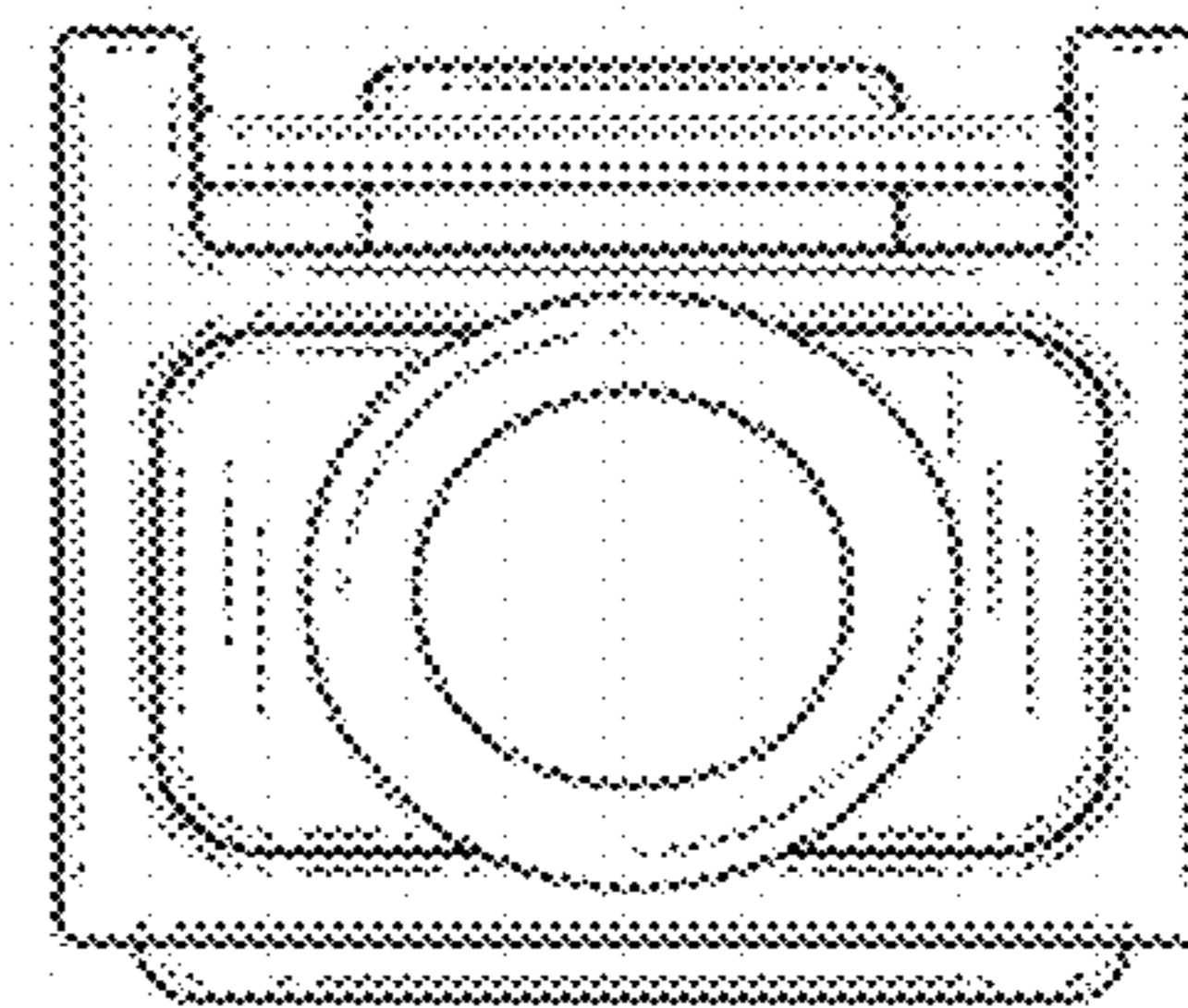


Fig. 6

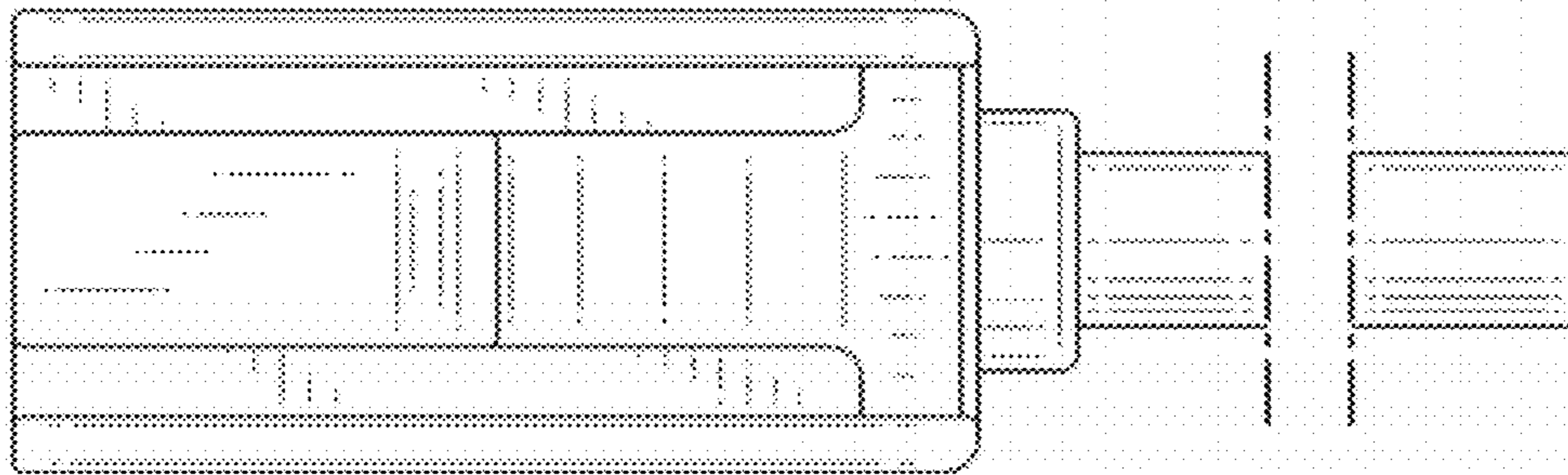


Fig. 7

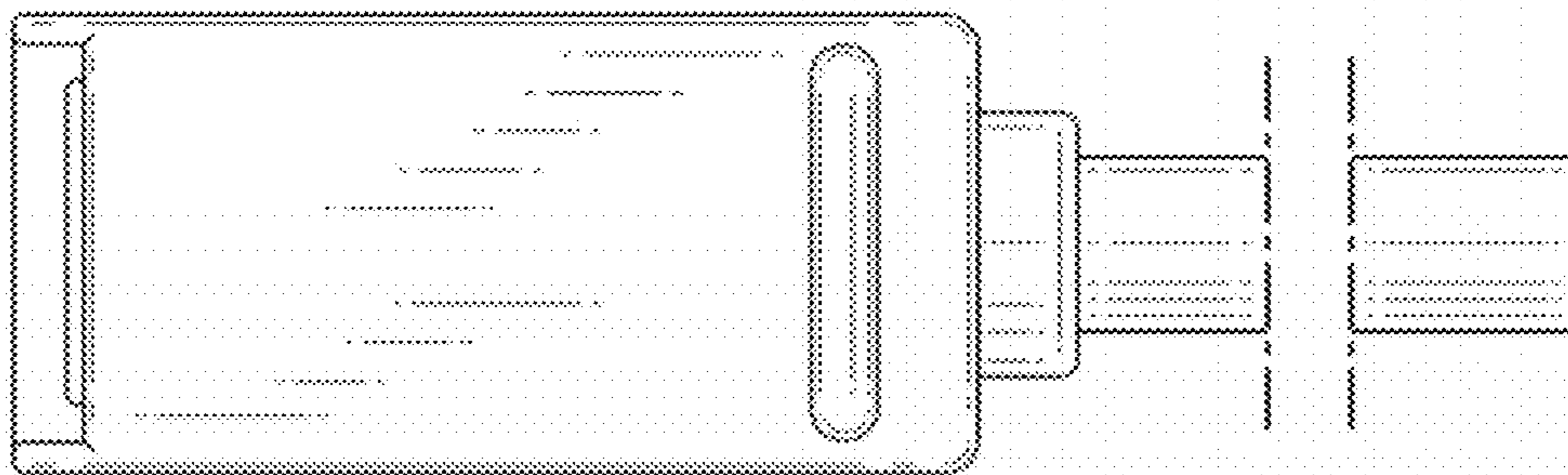


Fig. 8

