



US00D672313S

(12) **United States Design Patent**  
**Smith et al.**

(10) **Patent No.:** **US D672,313 S**  
(45) **Date of Patent:** **\*\* Dec. 11, 2012**

(54) **CAR CHARGER**

(75) Inventors: **Dustin Jonathan Smith**, Kitchener (CA); **Anders Fahrendorff**, Ottawa (CA); **Todd Andrew Wood**, Toronto (CA)

(73) Assignee: **Research In Motion Limited**, Waterloo, Ontario (CA)

(\*\*) Term: **14 Years**

(21) Appl. No.: **29/420,017**

(22) Filed: **May 3, 2012**

(51) **LOC (9) Cl.** ..... **13-03**

(52) **U.S. Cl.** ..... **D13/144**

(58) **Field of Classification Search** ..... D13/144,  
D13/101, 107, 108, 110, 118, 119, 133, 184,  
D13/199; D14/155, 432, 434, 435.1, 356,  
D14/480.1, 480.7; 320/107, 108, 109, 110,  
320/111, 112, 113, 114, 115; 439/300, 620.01,  
439/638, 668, 669, 675, 825; 363/146  
See application file for complete search history.

(56) **References Cited**

U.S. PATENT DOCUMENTS

D406,261 S \* 3/1999 Kettula et al. .... D13/144  
6,612,875 B1 \* 9/2003 Liao ..... 439/675  
D525,937 S \* 8/2006 Seil et al. .... D13/144

D585,375 S \* 1/2009 Andre et al. .... D13/133  
D604,699 S \* 11/2009 Yamamoto ..... D13/144  
7,679,322 B1 \* 3/2010 Griffin ..... 320/114  
D614,137 S \* 4/2010 Son et al. .... D13/144  
D618,618 S \* 6/2010 Lee et al. .... D13/144  
D620,441 S \* 7/2010 Hou ..... D13/144  
D622,218 S \* 8/2010 Tseng et al. .... D13/144  
D624,500 S \* 9/2010 Chan ..... D13/144  
D631,837 S \* 2/2011 Smith et al. .... D13/108  
D656,465 S \* 3/2012 Au ..... D13/144

\* cited by examiner

*Primary Examiner* — Derrick Holland

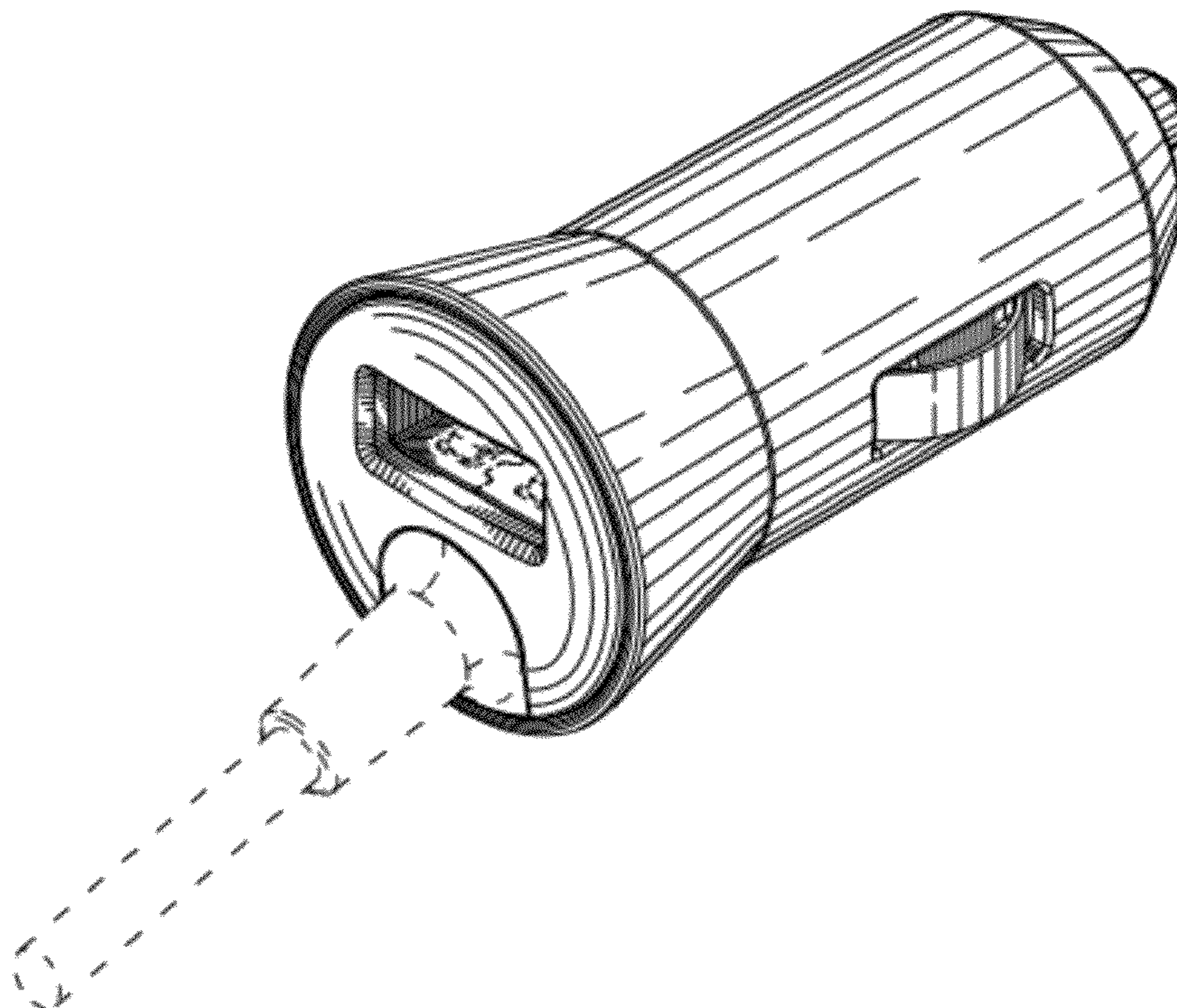
(57) **CLAIM**

We claim the ornamental design for a car charger, as shown and described.

**DESCRIPTION**

FIG. 1 is a front perspective view of a car charger;  
FIG. 2 is a back perspective view of the car charger;  
FIG. 3 is a front elevational view thereof;  
FIG. 4 is a back elevational view thereof;  
FIG. 5 is a top plan view thereof;  
FIG. 6 is a bottom plan view thereof;  
FIG. 7 is a left elevational view thereof; and,  
FIG. 8 is a right elevational view thereof.  
The broken lines shown represent unclaimed subject matter and form no part of the claimed design.

**1 Claim, 4 Drawing Sheets**



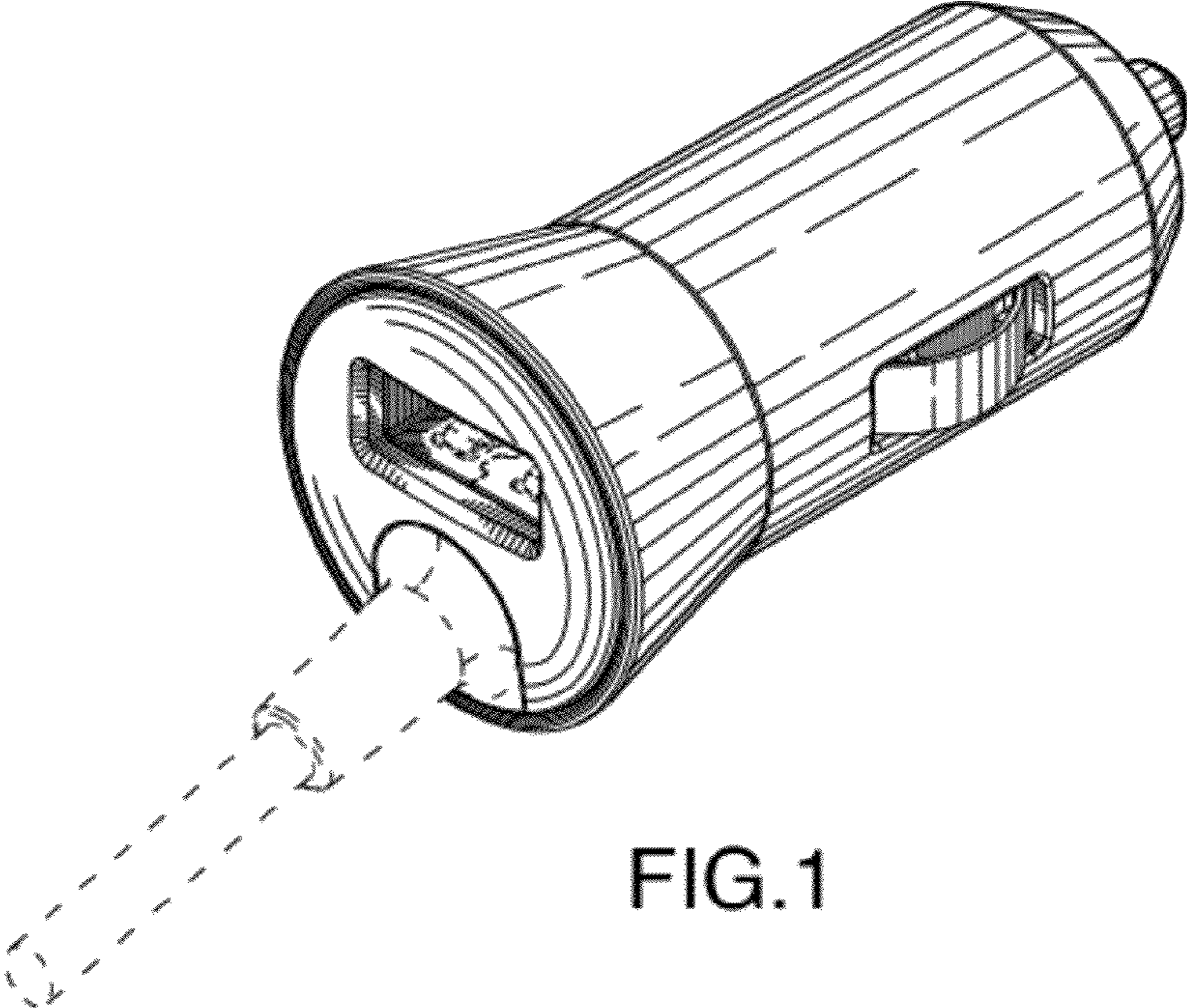


FIG.1

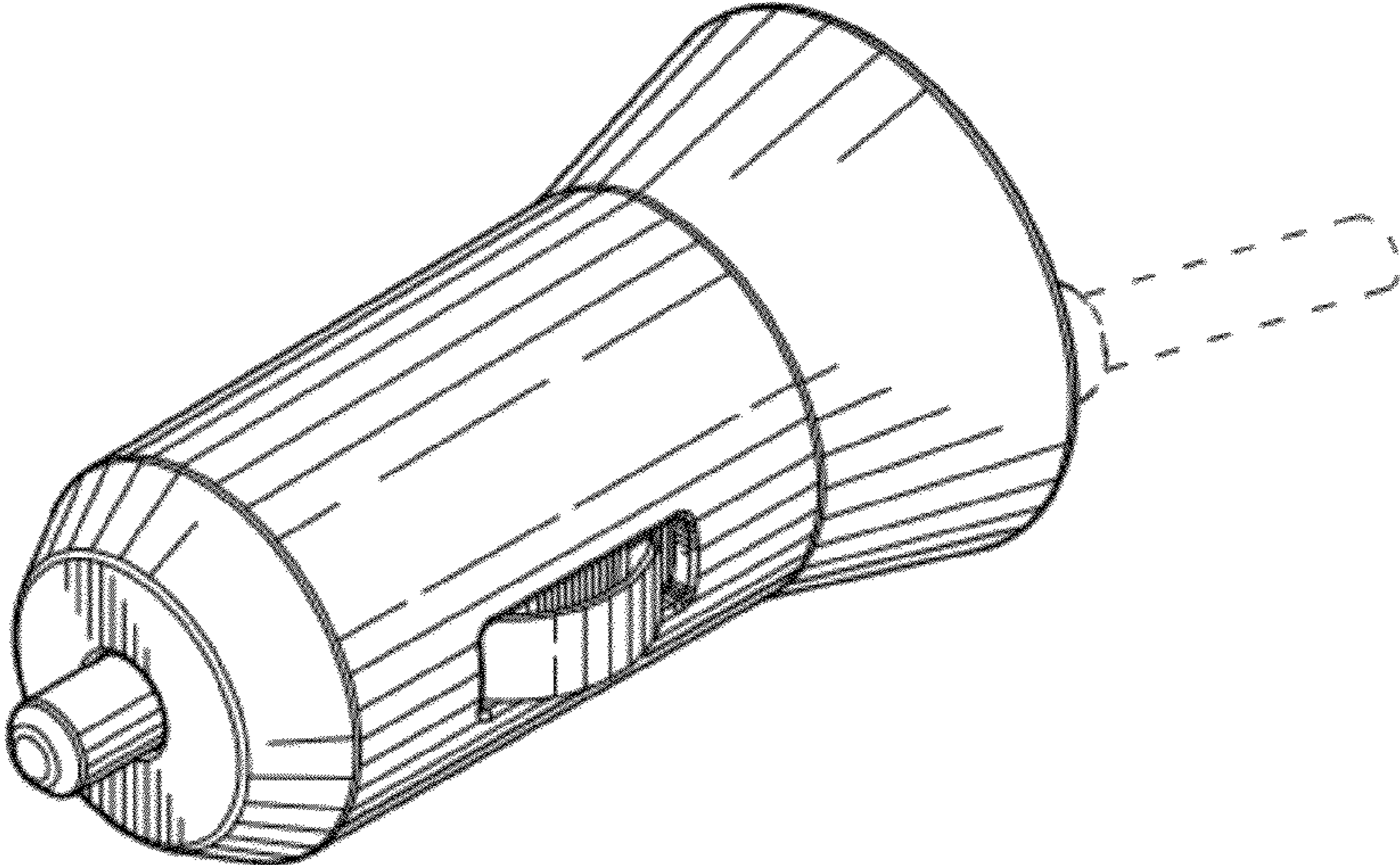


FIG.2

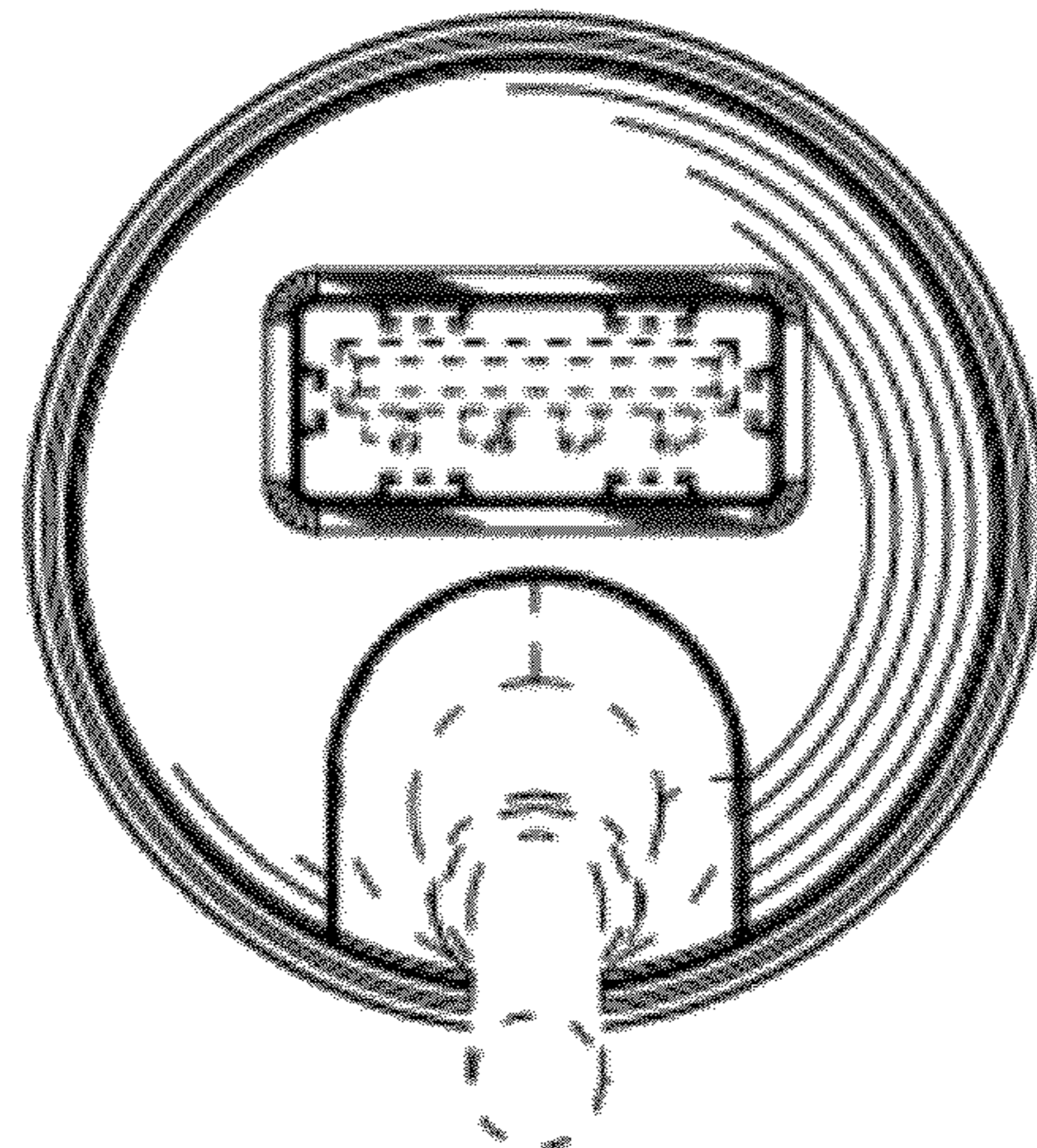


FIG.3

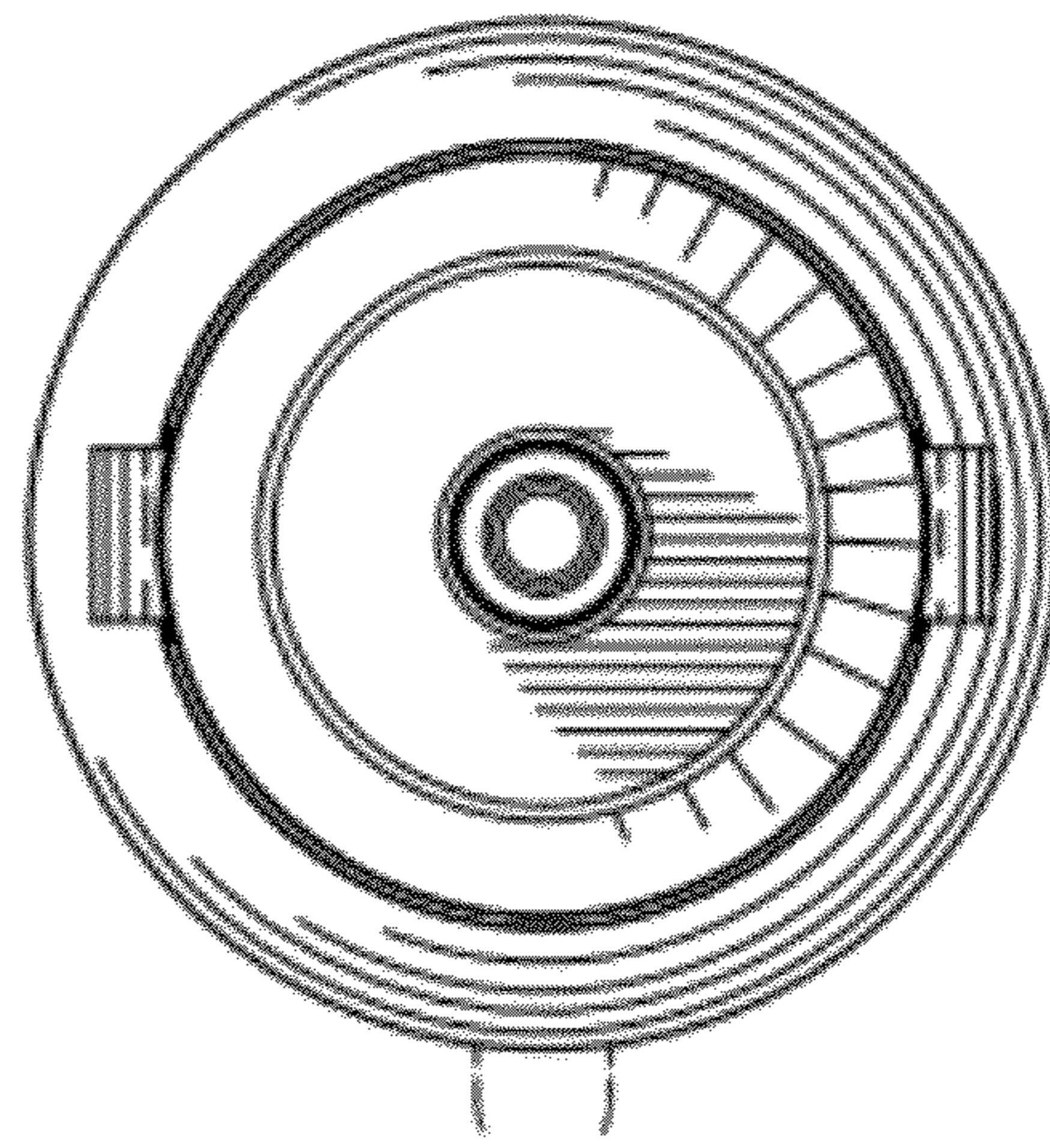


FIG.4

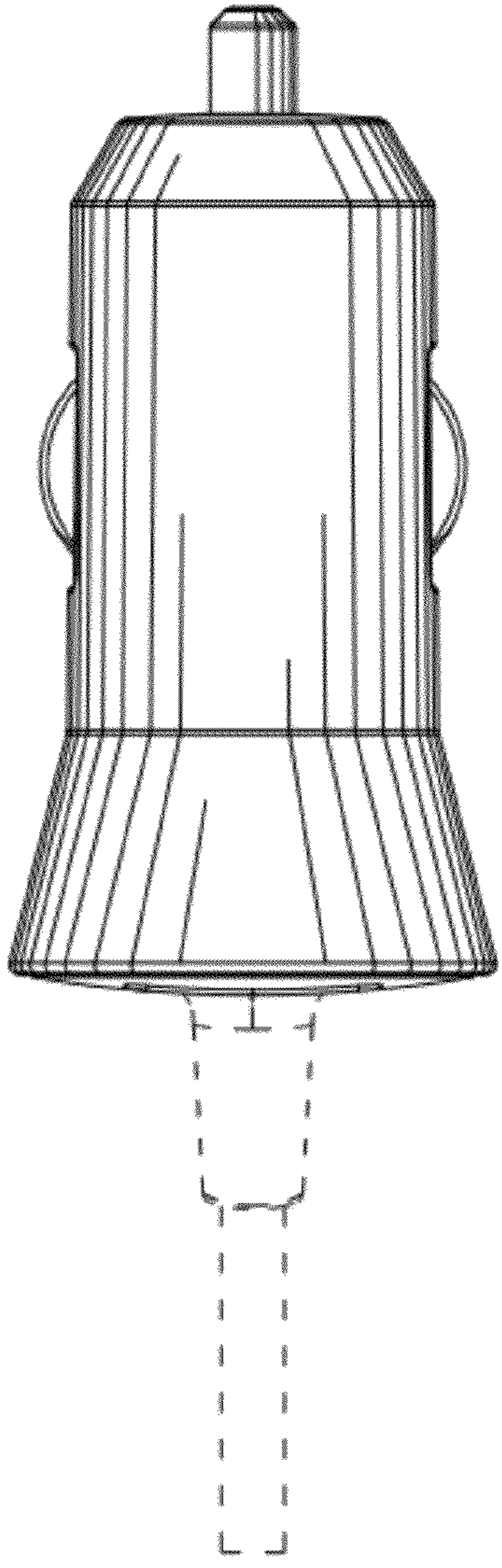


FIG.5

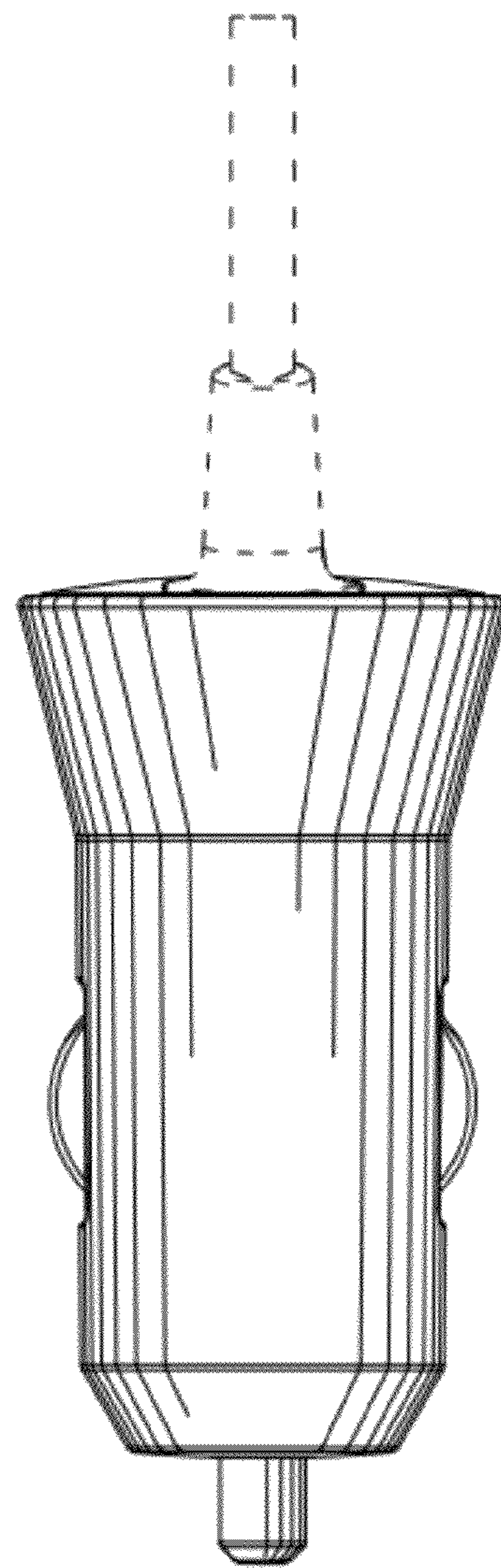


FIG.6

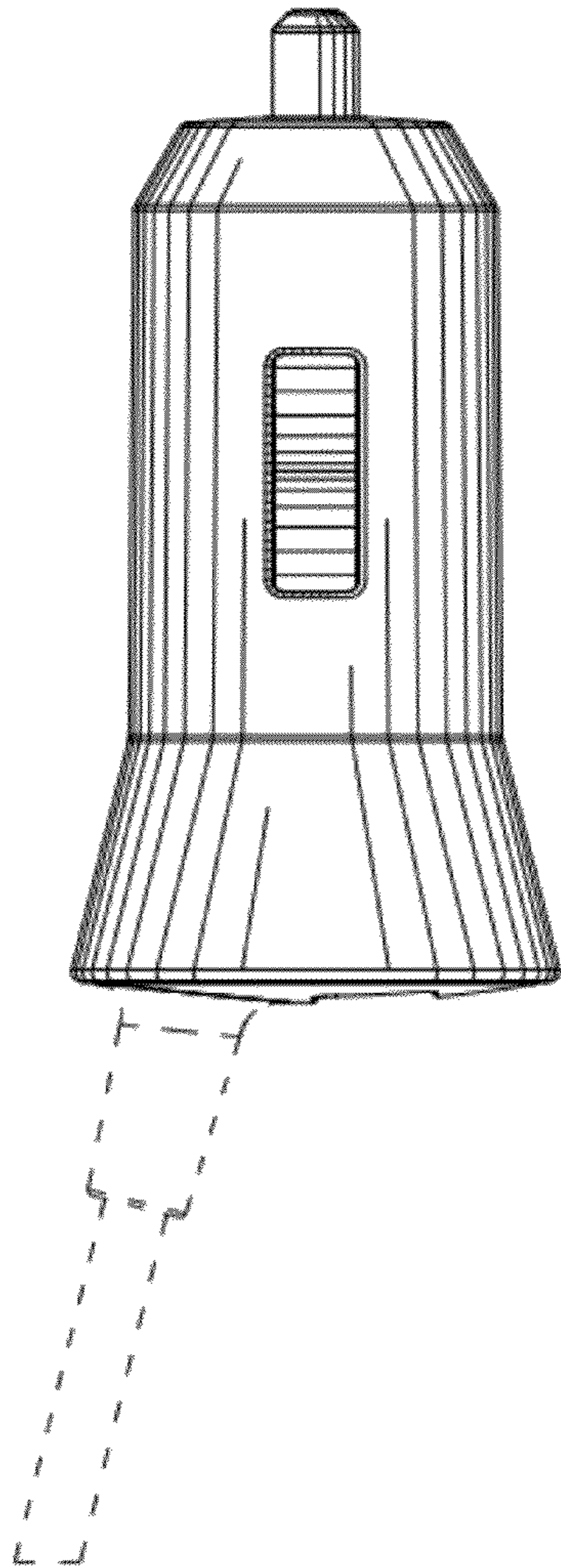


FIG.7

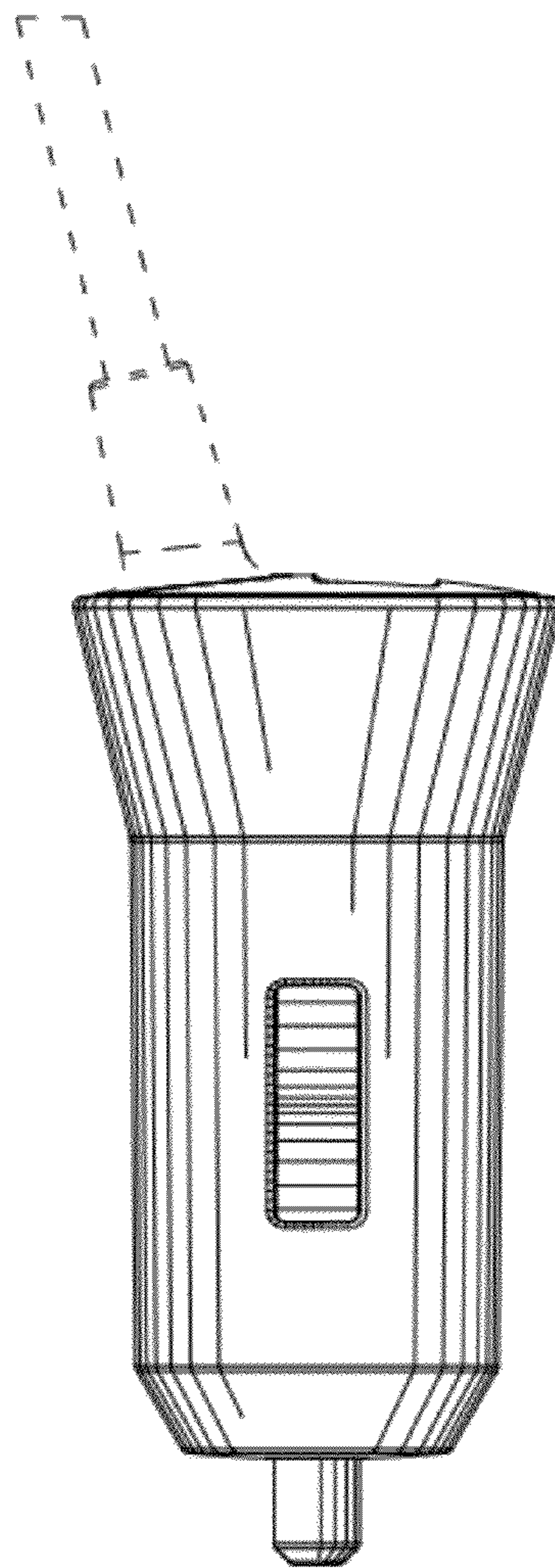


FIG.8