



US00D672311S

(12) **United States Design Patent**  
**Labermeier et al.**

(10) **Patent No.:** **US D672,311 S**

(45) **Date of Patent:** **\*\* Dec. 11, 2012**

(54) **ELECTRO MOTOR**

(75) Inventors: **Jürgen Labermeier**, Schwanstetten  
(DE); **Ekkehard Ressel**, Heilsbronn  
(DE); **Barbara Wohleben**, Rosstal (DE)

(73) Assignee: **Siemens Aktiengesellschaft**, München  
(DE)

(\*\*) Term: **14 Years**

(21) Appl. No.: **29/419,103**

(22) Filed: **Apr. 25, 2012**

(30) **Foreign Application Priority Data**

Oct. 28, 2011 (EM) ..... 001299804

(51) **LOC (9) Cl.** ..... **13-01**

(52) **U.S. Cl.** ..... **D13/112**

(58) **Field of Classification Search** ..... D13/112,  
D13/113, 114, 118, 122, 184, 199; D15/3,  
D15/5, 199; D23/411; 310/10, 40 R, 42,  
310/51, 58, 85, 89, 91, 109, 236, 239, 254;  
318/245, 255

See application file for complete search history.

(56) **References Cited**

U.S. PATENT DOCUMENTS

D267,869 S *	2/1983	Lenz et al. ....	D13/112
D336,890 S *	6/1993	Hirose et al. ....	D13/112
D386,744 S *	11/1997	Urvoy .....	D13/112
D424,516 S *	5/2000	Friedrichsen .....	D13/112
D525,195 S *	7/2006	Palese .....	D13/112
D598,377 S *	8/2009	Lannoch .....	D13/122

\* cited by examiner

*Primary Examiner* — Derrick Holland

(74) *Attorney, Agent, or Firm* — Henry M. Feiereisen LLC

(57) **CLAIM**

The ornamental design for an electro motor, as shown and described.

**DESCRIPTION**

FIG. 1 is a front elevational view of an electro motor showing our new design;

FIG. 2 is a rear elevational view thereof;

FIG. 3 is a top plan view thereof;

FIG. 4 is a bottom plan view thereof;

FIG. 5 is a right side elevational view thereof;

FIG. 6 is a left side elevational view thereof; and,

FIG. 7 is a front, top and right side perspective view thereof.

**1 Claim, 7 Drawing Sheets**

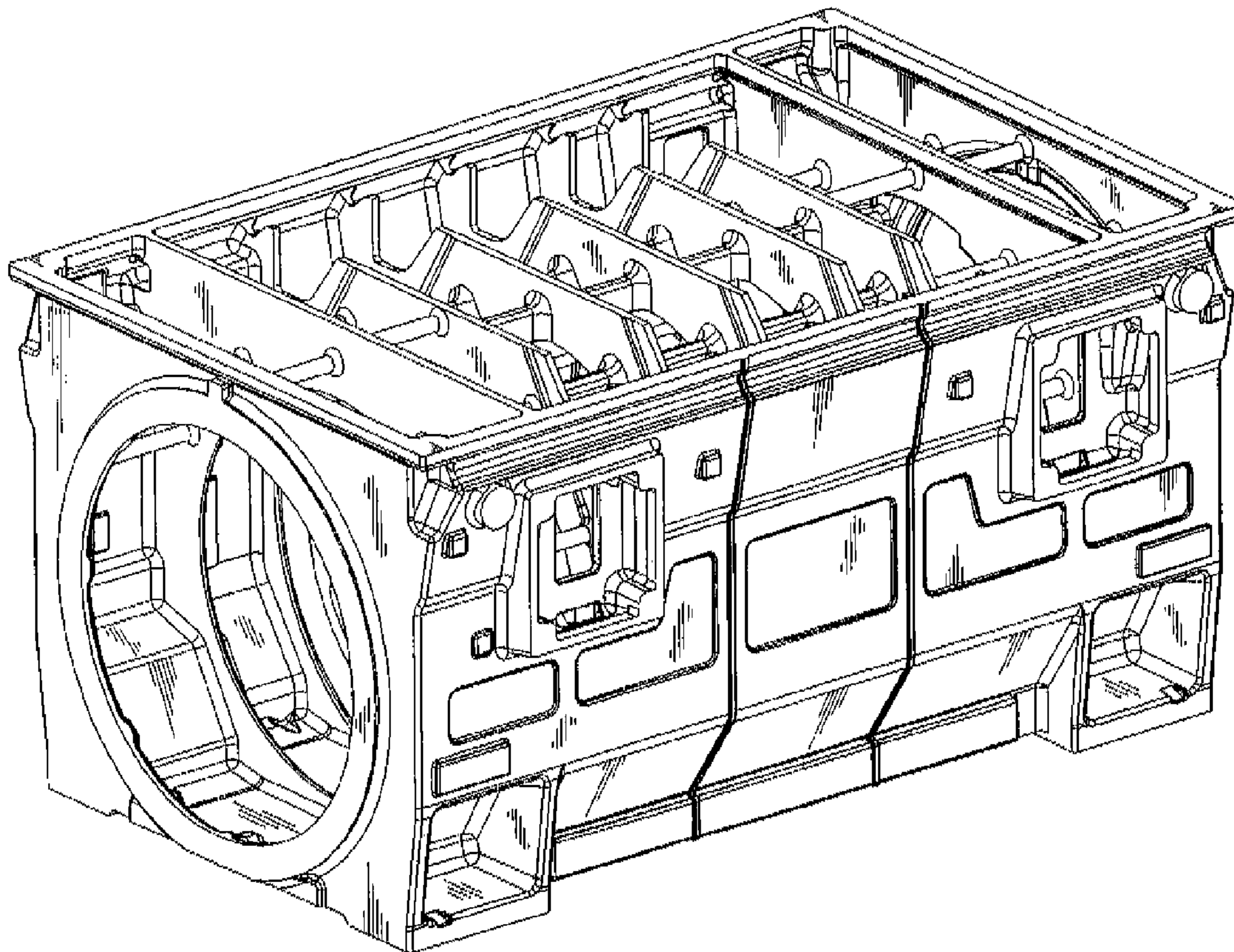


FIG 1

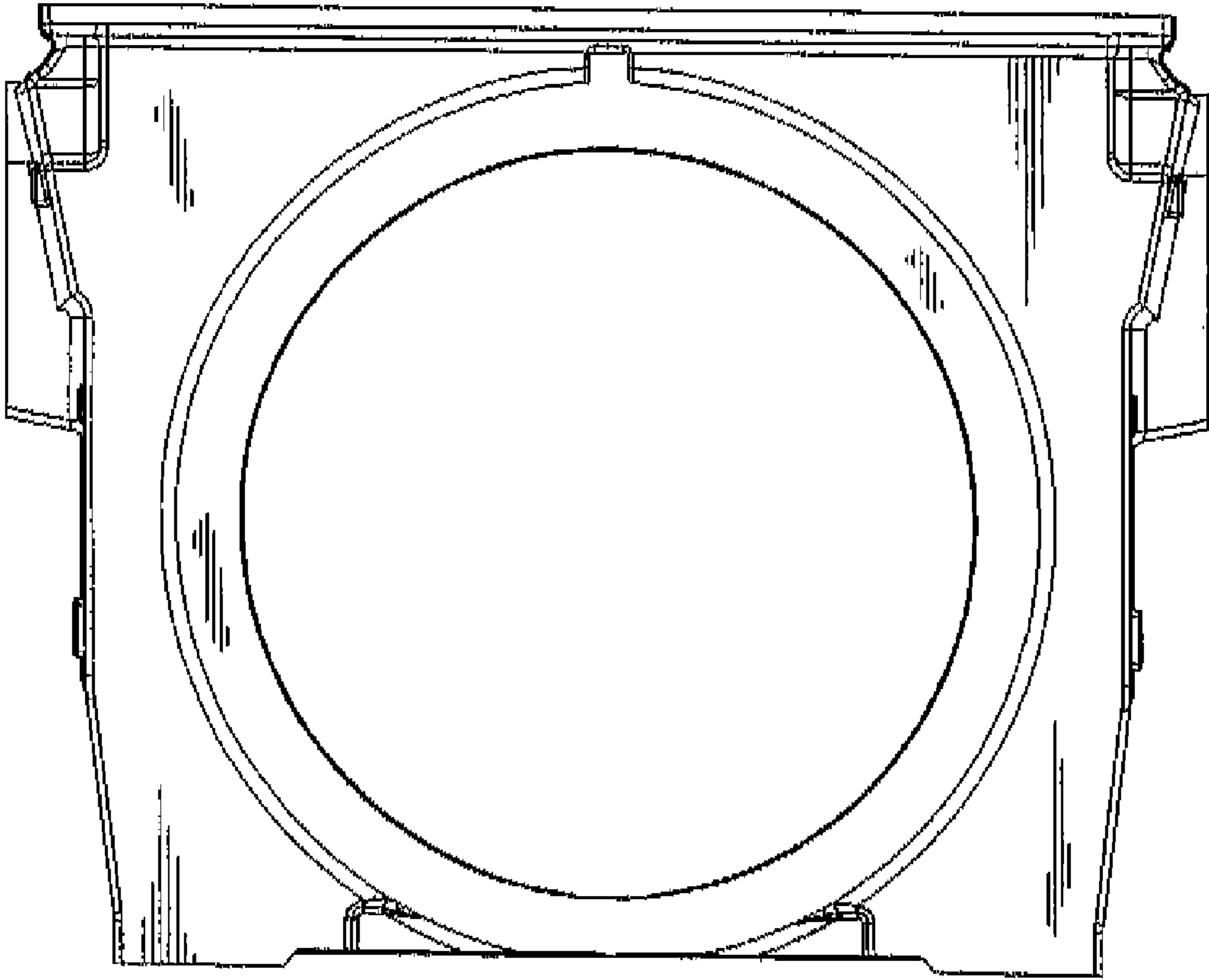


FIG 2

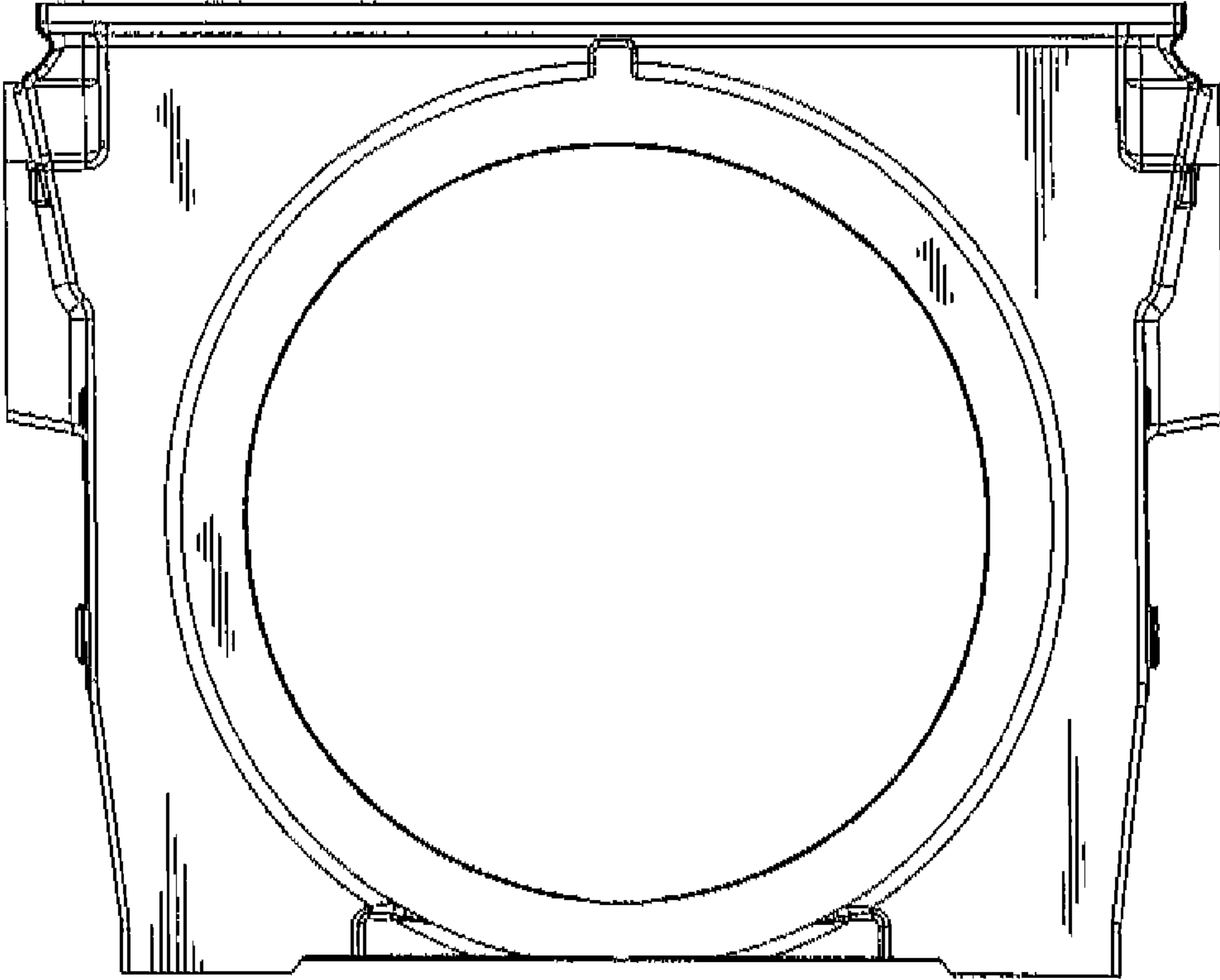


FIG 3

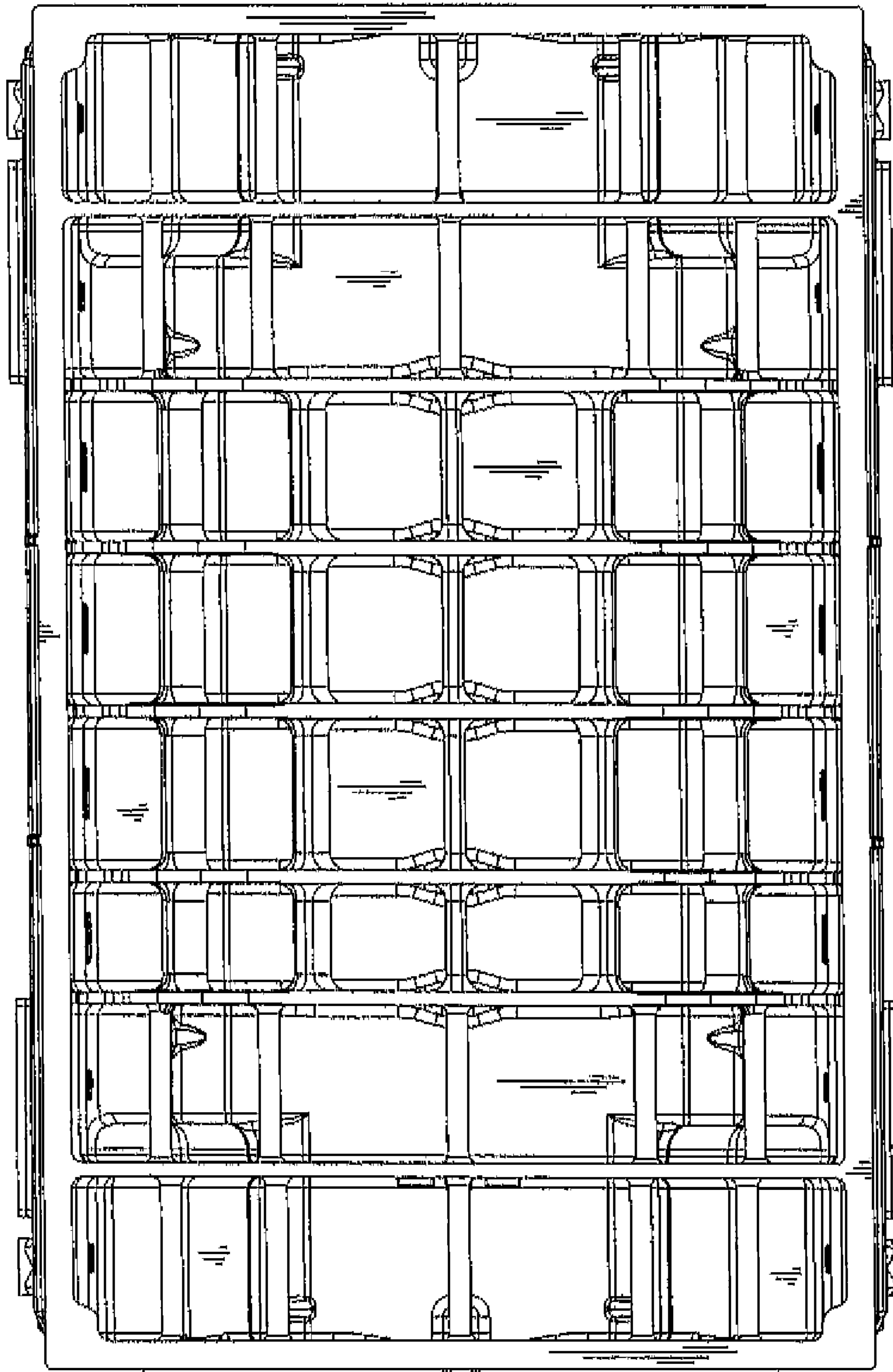


FIG 4

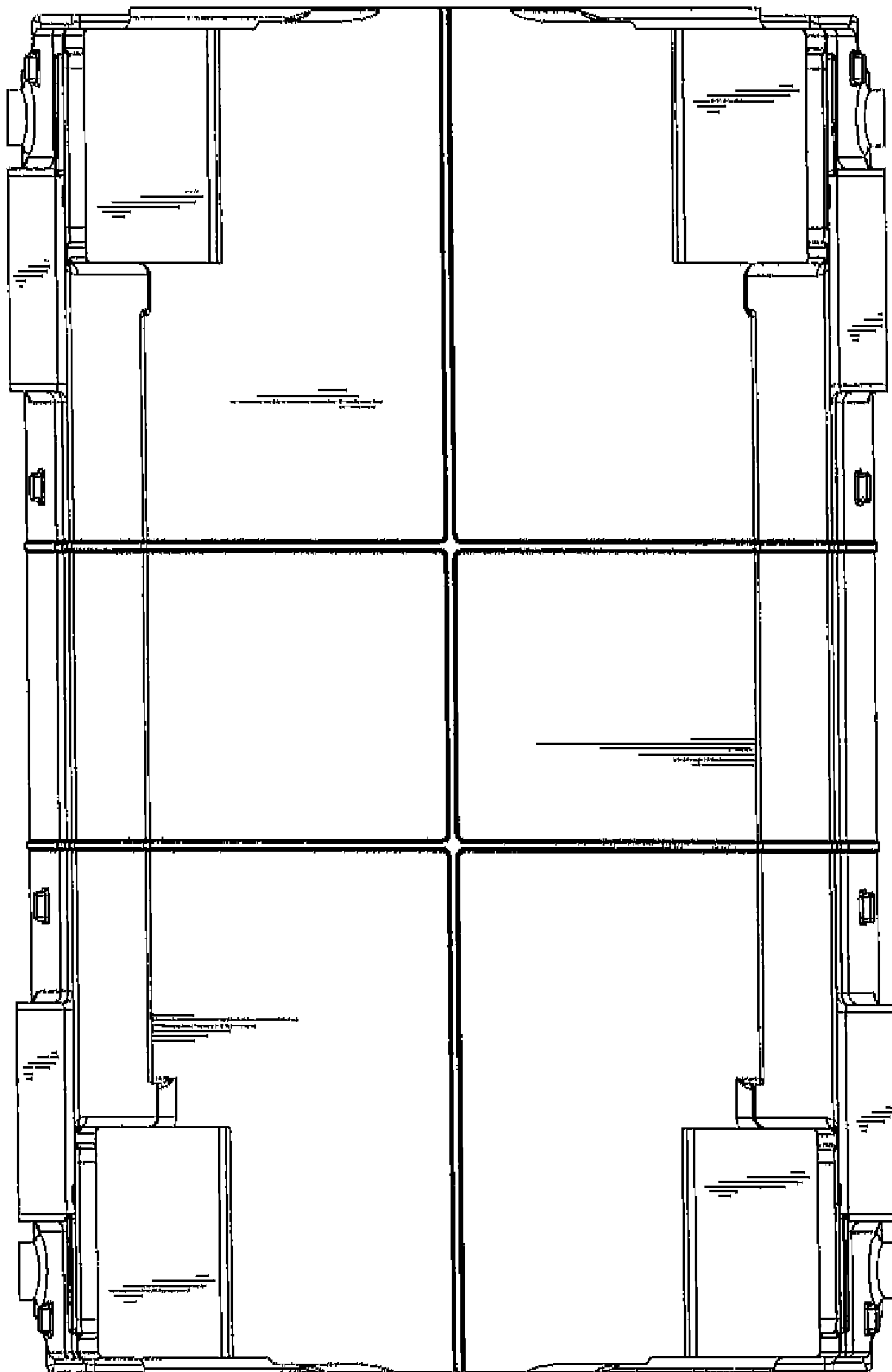


FIG 5

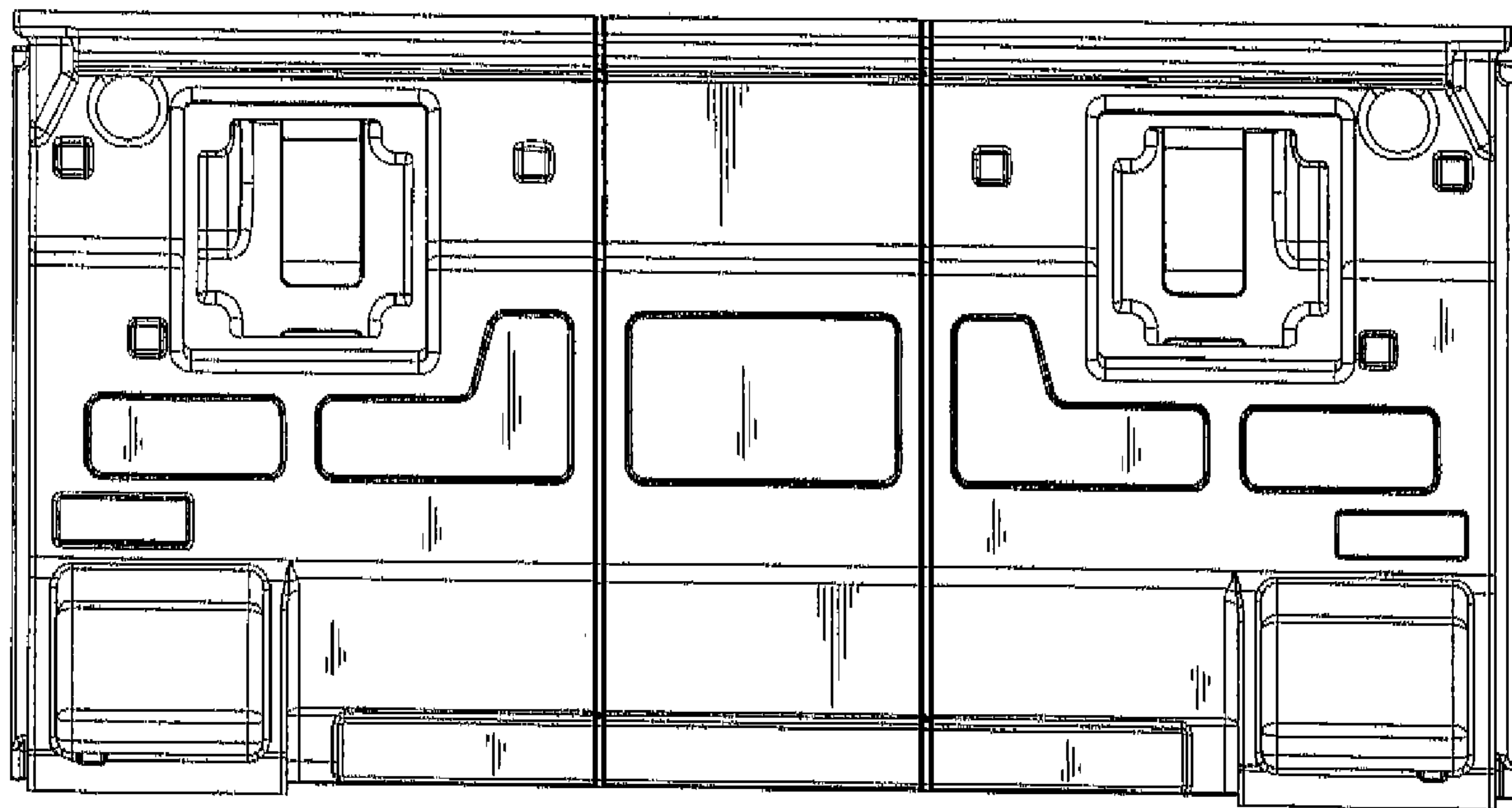




FIG 6

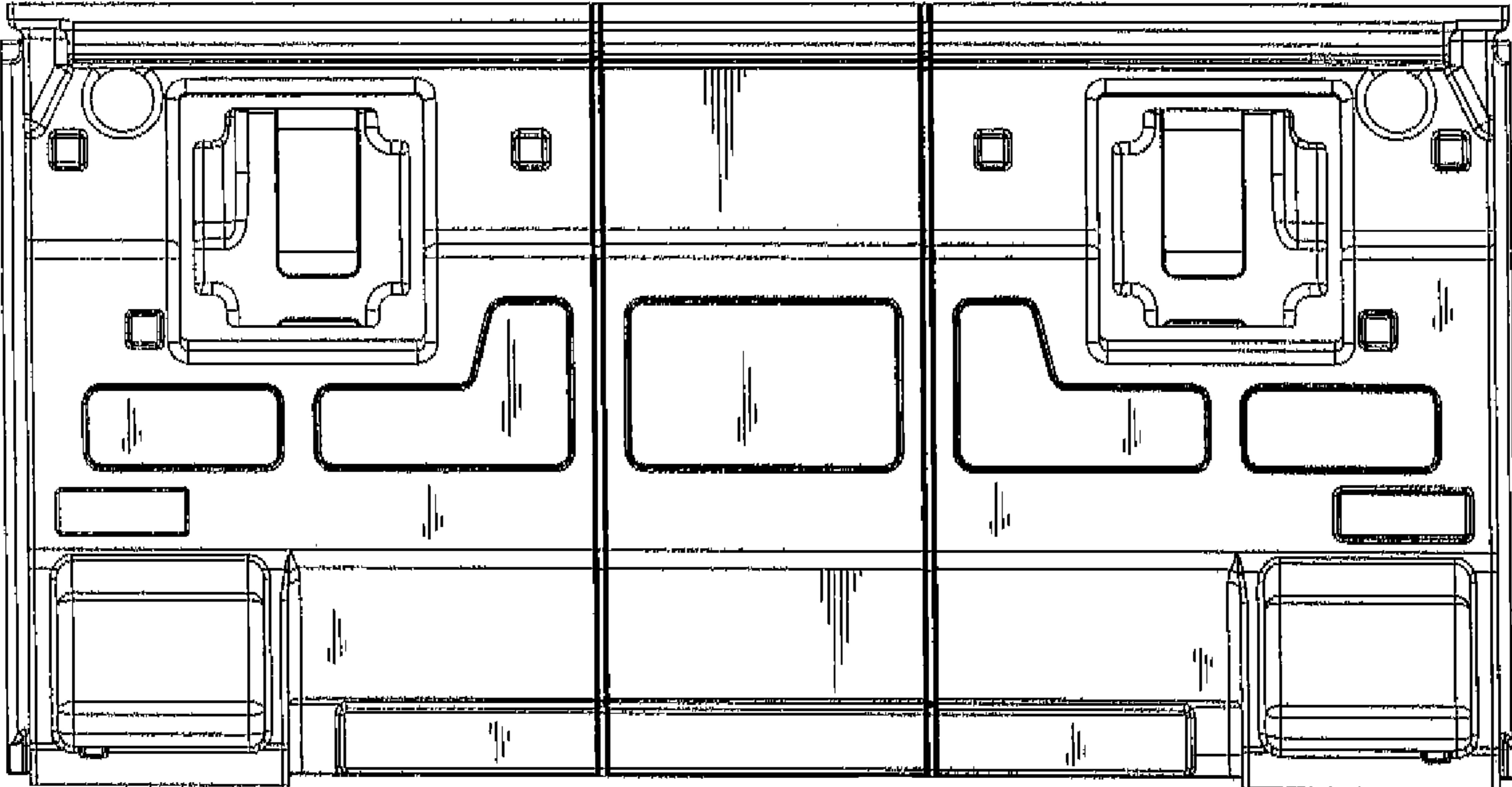


FIG 7

