



US00D672310S

(12) **United States Design Patent**  
**Scharf et al.**

(10) **Patent No.:** **US D672,310 S**

(45) **Date of Patent:** **\*\* Dec. 11, 2012**

(54) **ELECTRICAL APPARATUS**

(75) Inventors: **Peter Scharf**, Frankfurt am Main (DE);  
**Gilbert Robel**, Frankfurt am Main (DE)

(73) Assignee: **SMA Solar Technology AG**, Niestetal (DE)

(\*\*) Term: **14 Years**

(21) Appl. No.: **29/418,242**

(22) Filed: **Apr. 13, 2012**

(30) **Foreign Application Priority Data**

Oct. 13, 2011 (EP) ..... 001931528-0001

(51) **LOC (9) Cl.** ..... **13-02**

(52) **U.S. Cl.** ..... **D13/110; D13/102**

(58) **Field of Classification Search** ..... D13/110,  
D13/101, 102, 123, 162, 184, 199; D14/348,  
D14/349, 353, 357, 358; 361/600, 601, 702,  
361/704, 707, 715, 730; 363/15, 35, 157,  
363/174, 175, 177; 136/205, 206

See application file for complete search history.

(56) **References Cited**

**U.S. PATENT DOCUMENTS**

D381,623 S \* 7/1997 Sugino et al. .... D13/110  
D423,452 S \* 4/2000 Fujisawa et al. .... D13/110  
D490,051 S \* 5/2004 Kikumoto ..... D13/102

D507,528 S \* 7/2005 Feldman et al. .... D13/110  
D582,842 S \* 12/2008 Wei ..... D13/102  
D604,237 S \* 11/2009 Engel et al. .... D13/110  
D604,239 S \* 11/2009 Engel et al. .... D13/110  
D608,735 S \* 1/2010 Kashimoto ..... D13/110  
D644,603 S \* 9/2011 Liu ..... D13/102

\* cited by examiner

*Primary Examiner* — Derrick Holland

(74) *Attorney, Agent, or Firm* — Eschweiler & Associates, LLC

(57) **CLAIM**

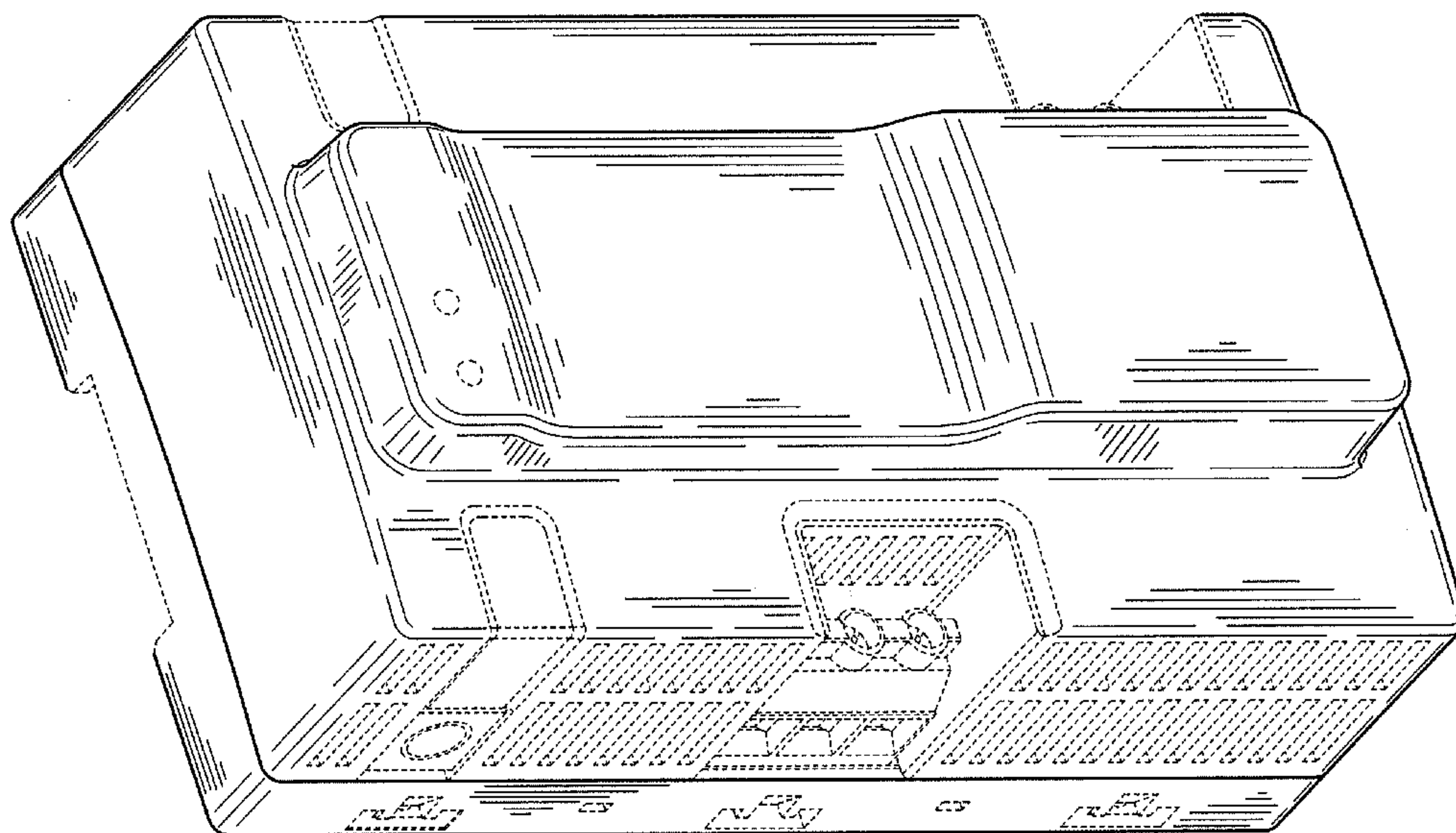
The ornamental design for an electrical apparatus, as shown and described.

**DESCRIPTION**

FIG. 1 is a top, front and right side perspective view of an electrical apparatus showing our new design; FIG. 2 is a top plan view thereof; FIG. 3 is a bottom plan view thereof; FIG. 4 is a left side elevation view thereof; FIG. 5 is a right side elevation view thereof; FIG. 6 is a rear elevation view thereof; and, FIG. 7 is a front elevation view thereof.

The broken lines shown represent unclaimed subject matter and form no part of the claim. Where broken lines abut a claimed surface it is understood that those broken lines represent an unclaimed boundary between claimed and unclaimed surfaces. None of the broken lines form any part of the claimed design.

**1 Claim, 6 Drawing Sheets**



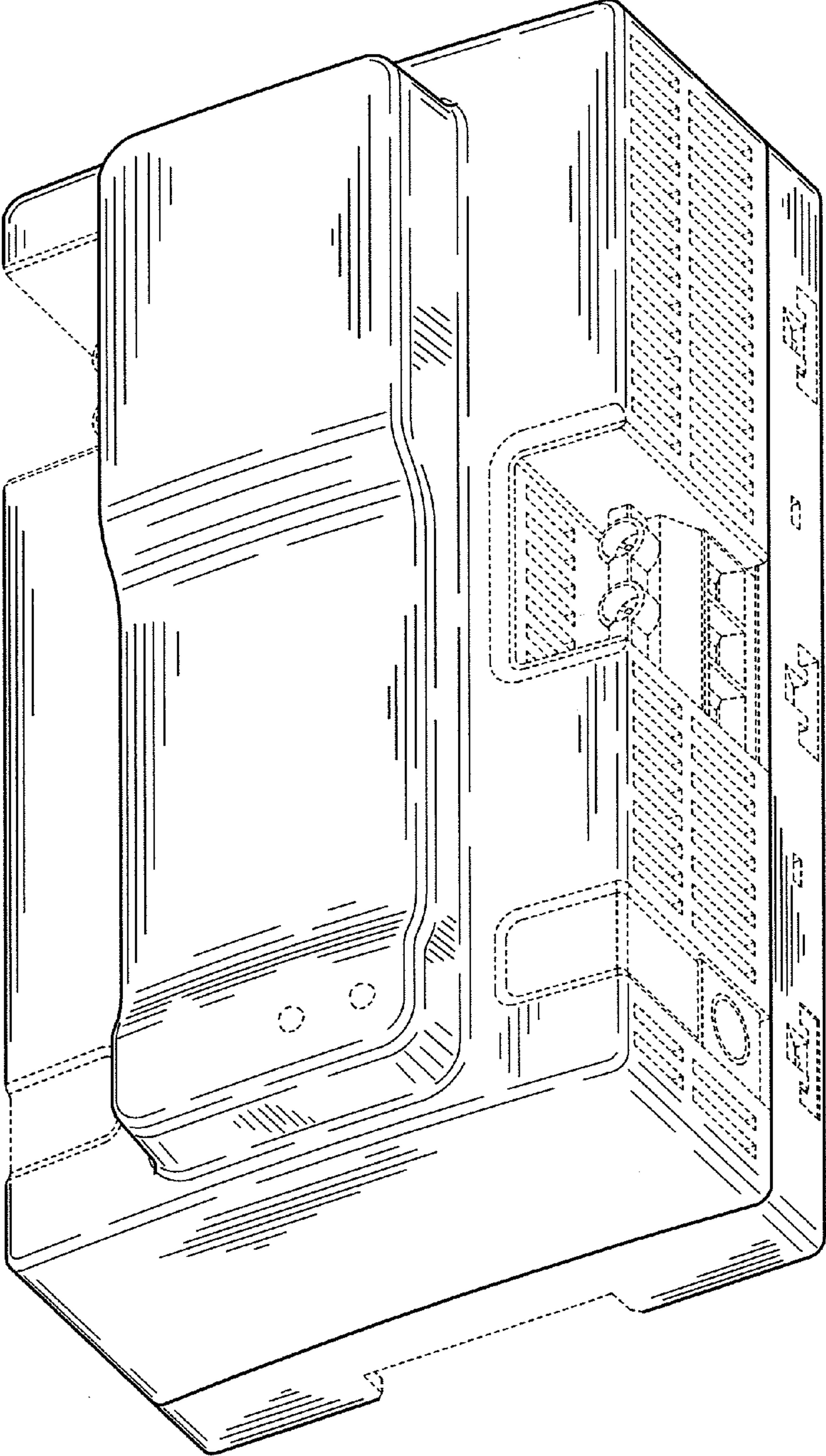


Fig. 1

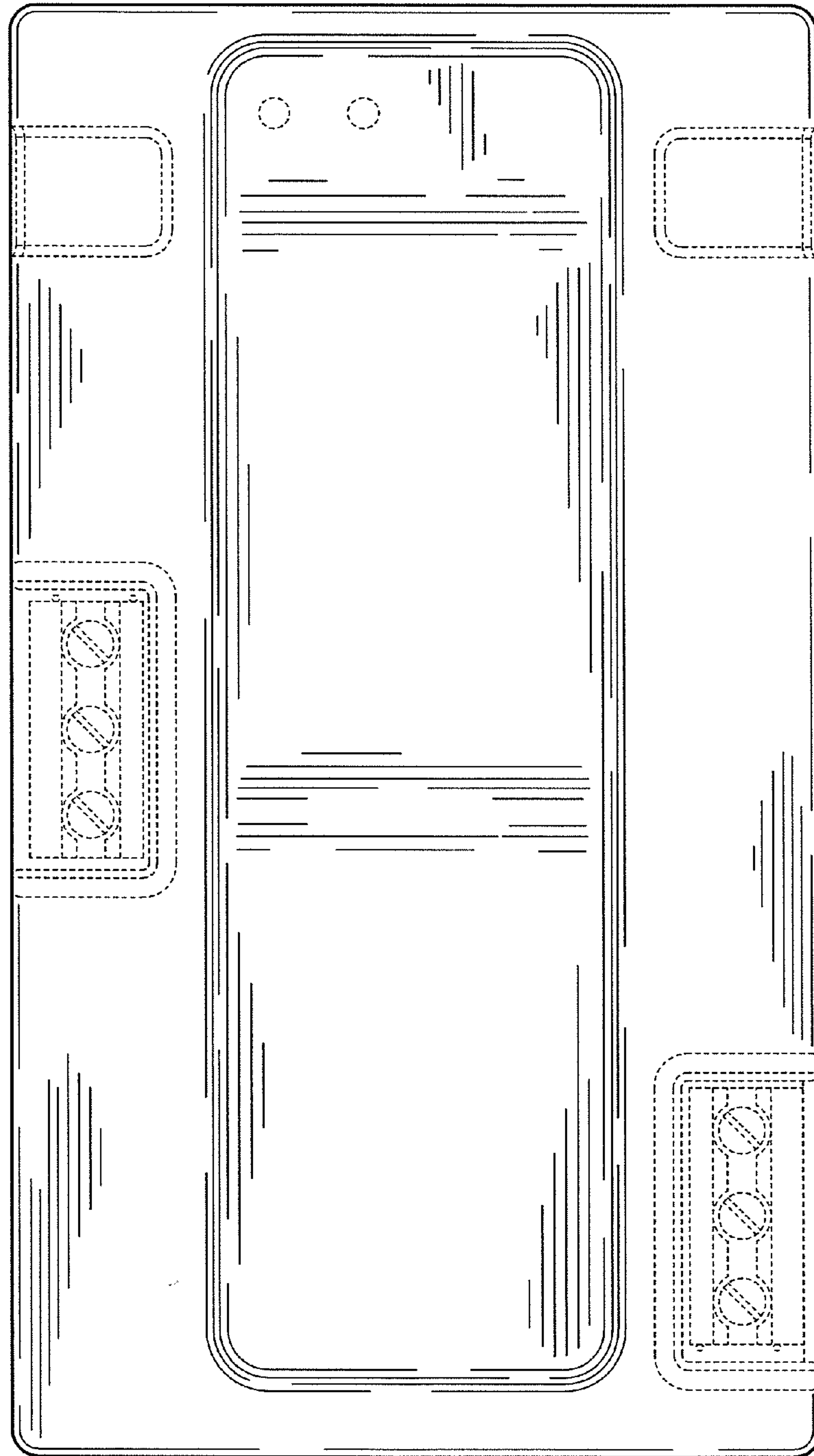


Fig. 2

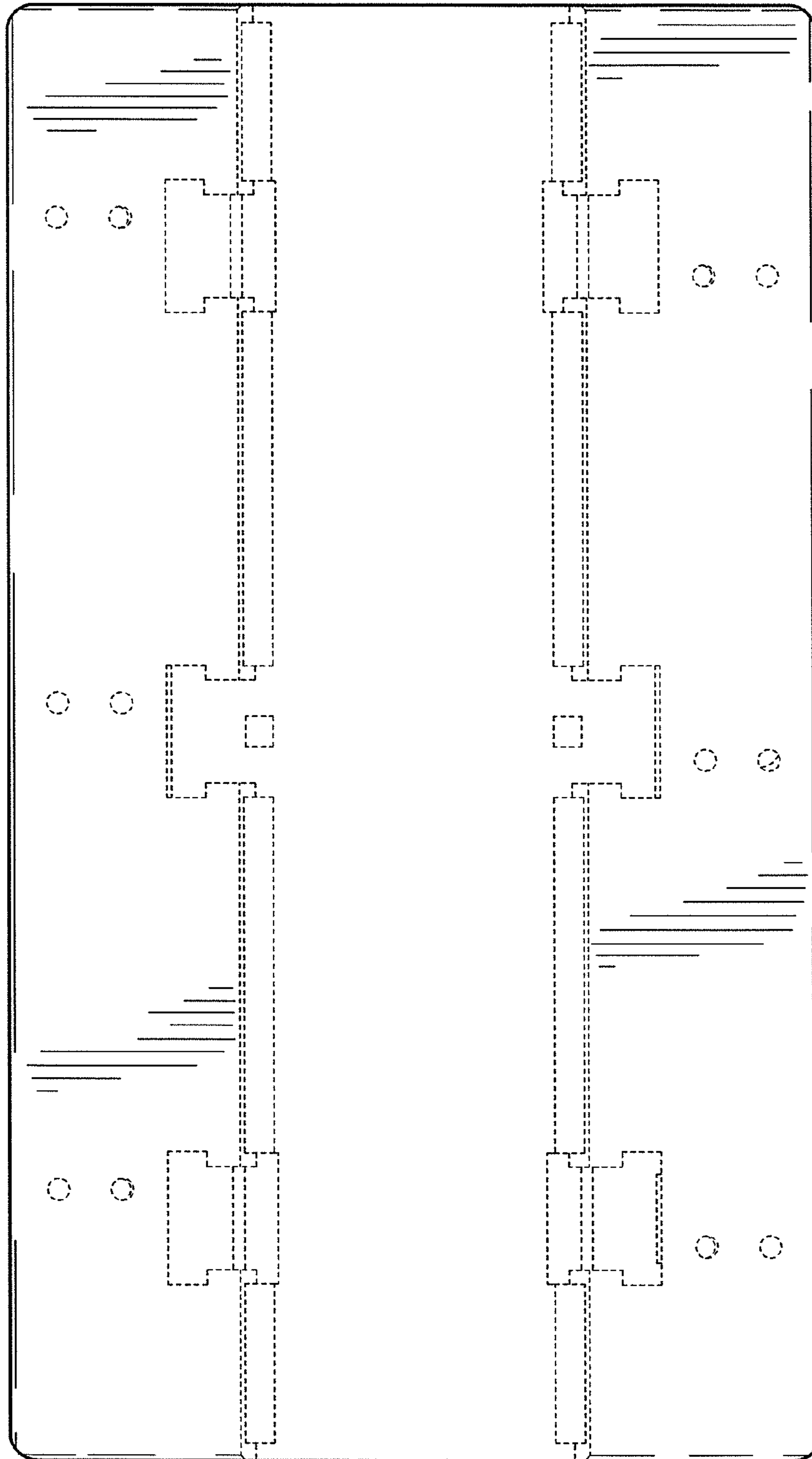


Fig. 3



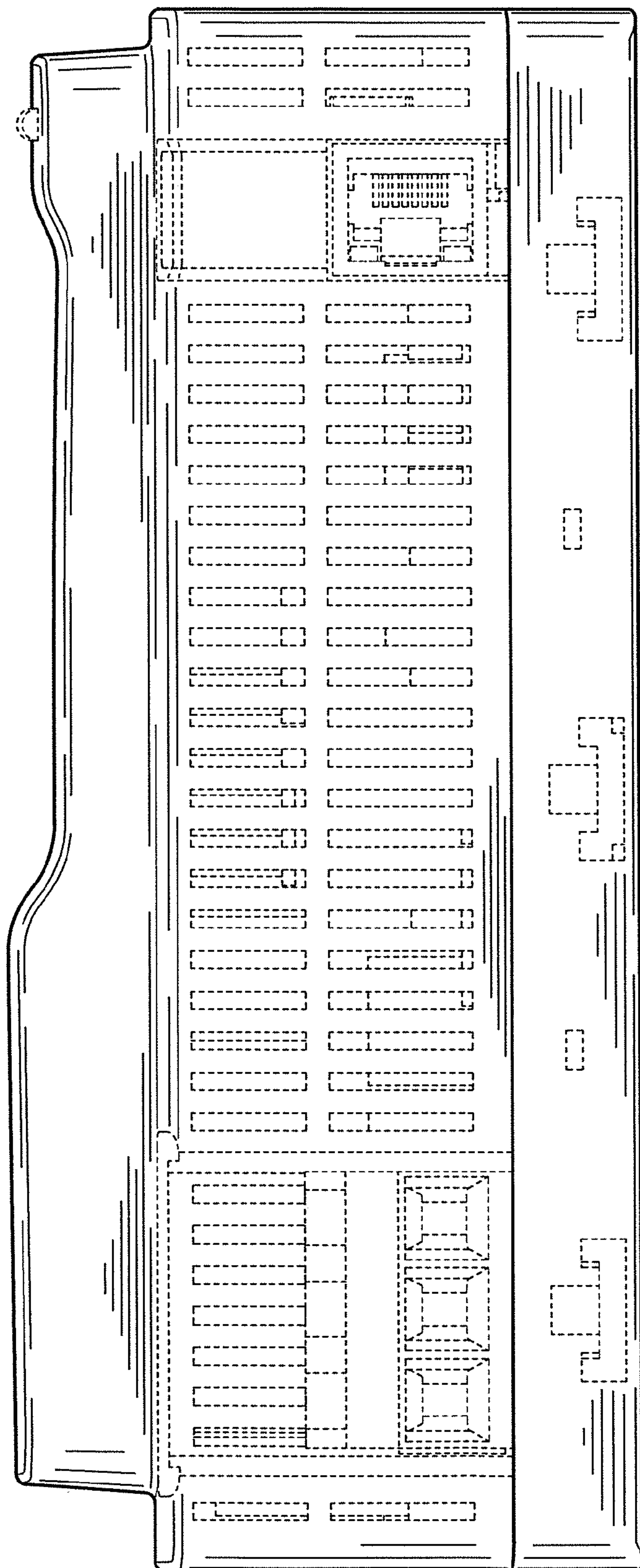


Fig. 4

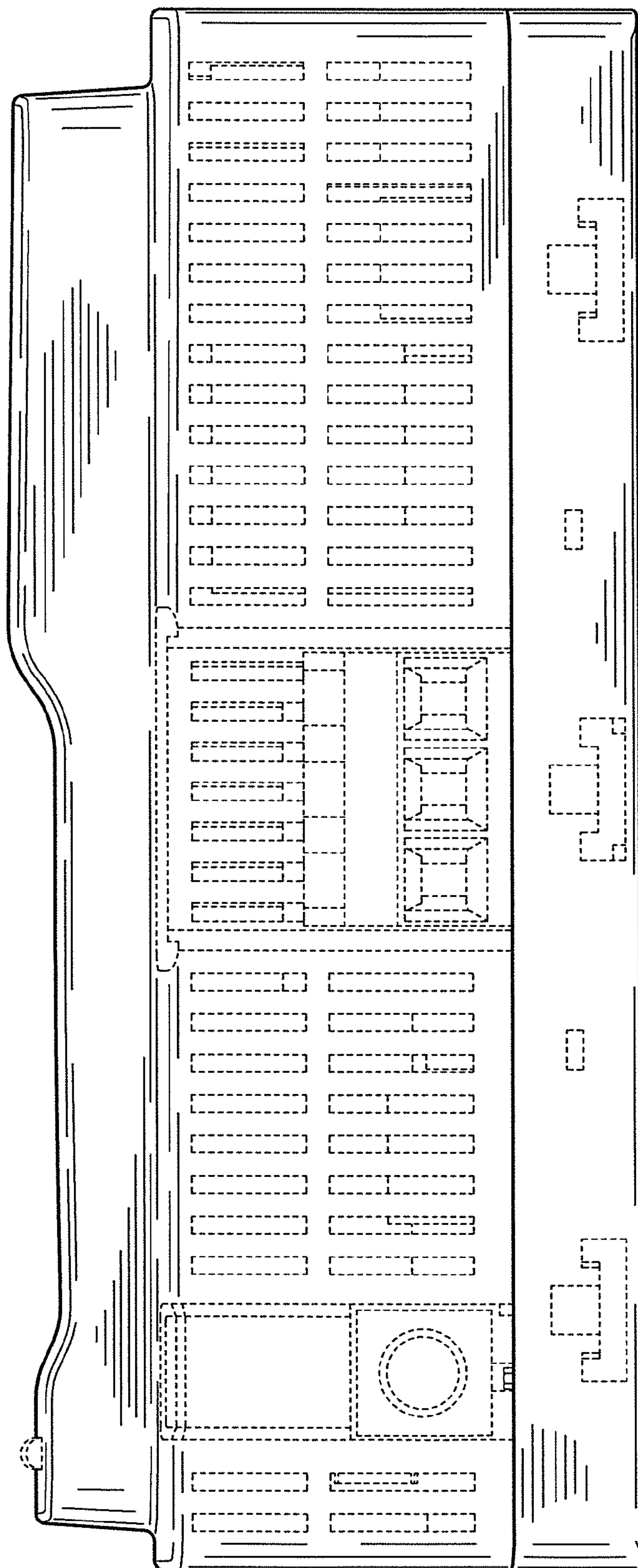


Fig. 5

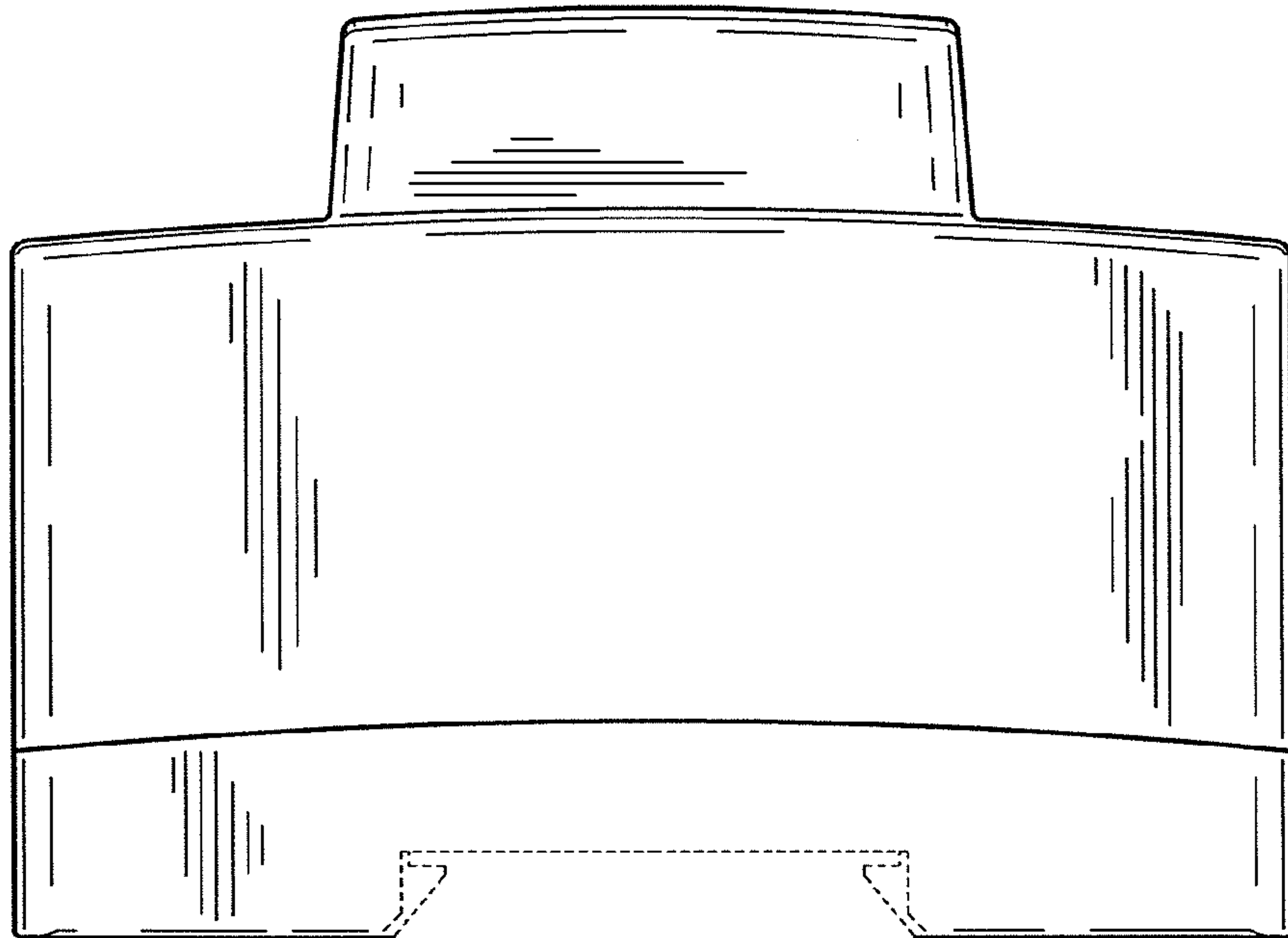


Fig. 6

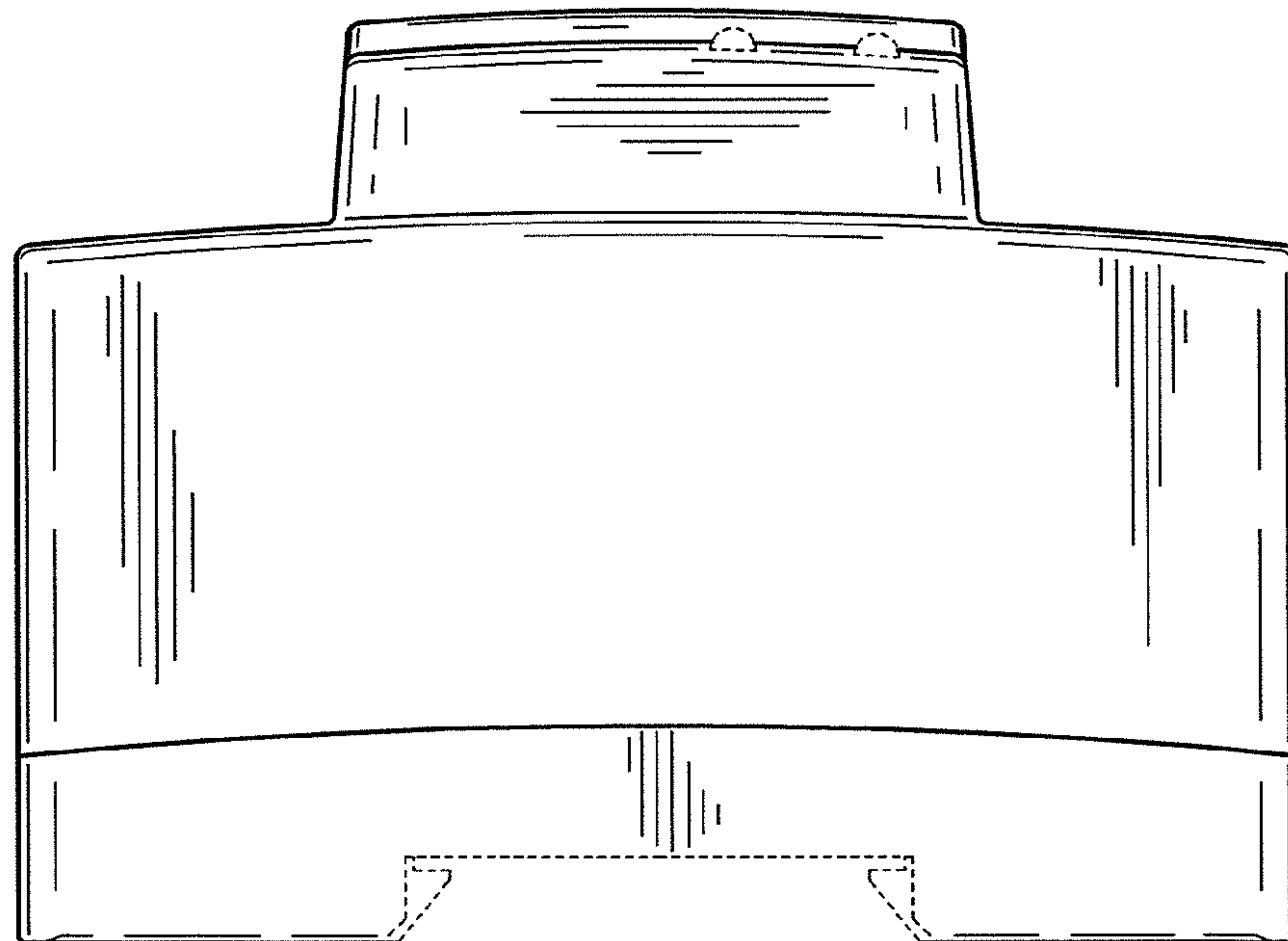


Fig. 7