



US00D672309S

(12) **United States Design Patent**  
**Tien**

(10) **Patent No.:** **US D672,309 S**

(45) **Date of Patent:** **\*\* Dec. 11, 2012**

(54) **PORTABLE POWER BANK**

(75) Inventor: **Li-Wen Tien**, New Taipei (TW)

(73) Assignee: **Hon Hai Precision Industry Co., Ltd.**,  
Tu-Cheng, New Taipei (TW)

(\*\*) Term: **14 Years**

(21) Appl. No.: **29/406,533**

(22) Filed: **Nov. 16, 2011**

(51) **LOC (9) Cl.** ..... **13-02**

(52) **U.S. Cl.** ..... **D13/108**

(58) **Field of Classification Search** ..... D13/103,  
D13/107-110, 118-119, 184, 199; D14/251,  
D14/253, 432, 434; 320/107-115  
See application file for complete search history.

(56) **References Cited**

U.S. PATENT DOCUMENTS

D280,317 S *	8/1985	Boyd et al.	.....	D13/103
D483,721 S *	12/2003	Kim et al.	.....	D13/110
D574,834 S *	8/2008	Chen	.....	D14/432
D580,354 S *	11/2008	Dunbar et al.	.....	D13/108
D619,999 S *	7/2010	Wu et al.	.....	D14/240
D628,153 S *	11/2010	Fujii et al.	.....	D13/108
D628,535 S *	12/2010	Cheng	.....	D13/108
D645,049 S *	9/2011	Faranda et al.	.....	D14/480.5
D645,050 S *	9/2011	Faranda et al.	.....	D14/480.5
D652,379 S *	1/2012	Vandiver	.....	D13/108
D652,381 S *	1/2012	Tien	.....	D13/110

D656,096 S *	3/2012	Sasada et al.	.....	D13/108
D659,094 S *	5/2012	Brand et al.	.....	D13/108
D662,050 S *	6/2012	Tien	.....	D13/108

\* cited by examiner

*Primary Examiner* — Rosemary K Tarcza

(74) *Attorney, Agent, or Firm* — Altis Law Group, Inc.

(57) **CLAIM**

The ornamental design for a portable power bank, as shown and described.

**DESCRIPTION**

FIG. 1 is a perspective view of a portable power bank showing my new design, showing a flexible electrical connector of the portable power bank in a stowed position;

FIG. 2 is a front elevational view of the portable power bank;

FIG. 3 is a rear elevational view of the portable power bank;

FIG. 4 is a left side elevational view of the portable power bank;

FIG. 5 is a right side elevational view of the portable power bank;

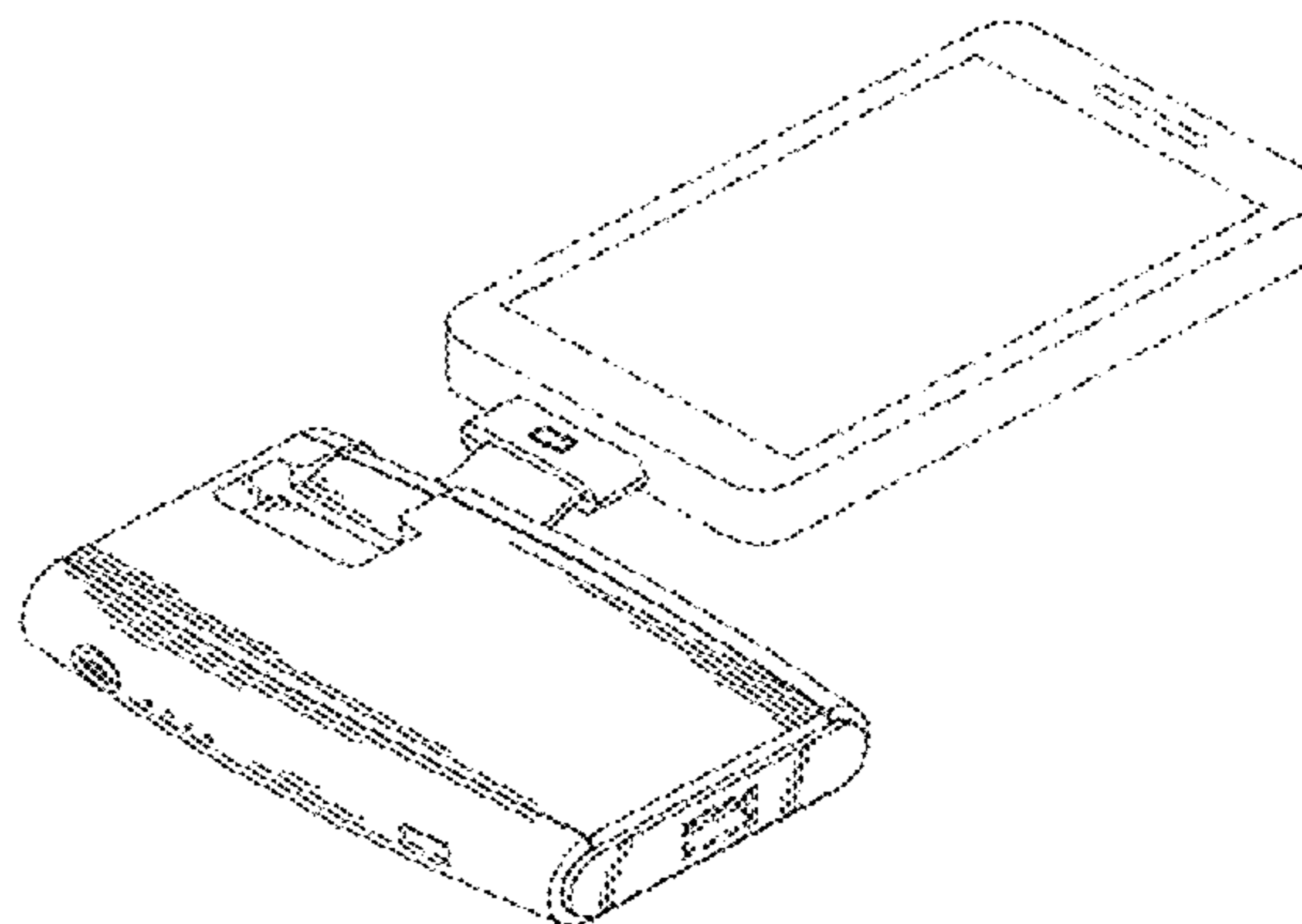
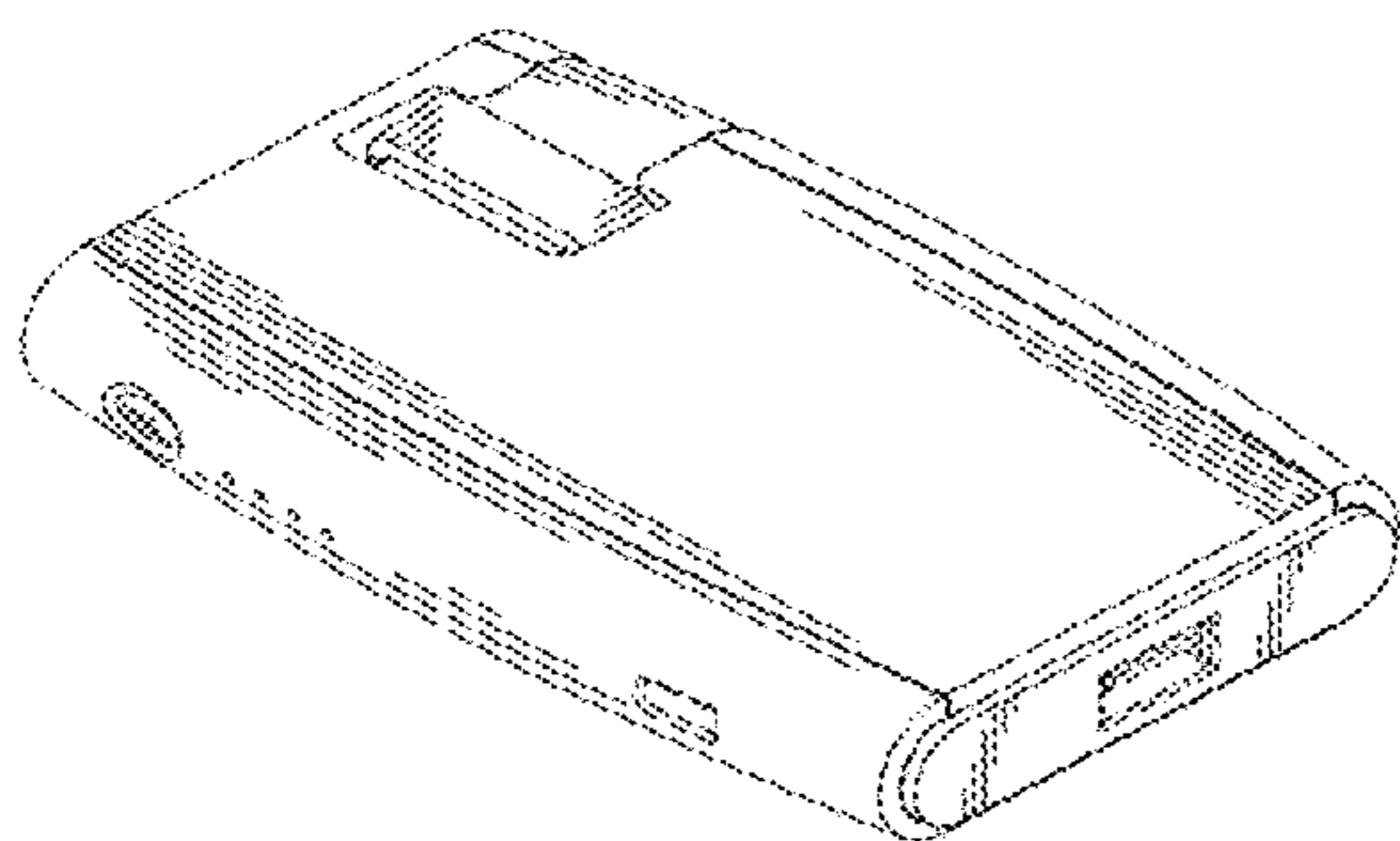
FIG. 6 is a top plan view of the portable power bank;

FIG. 7 is a bottom plan view of the portable power bank; and,

FIG. 8 is similar to FIG. 1, but showing the electrical connector of the portable power bank in an extended position and connected to an electronic device.

The broken lines of the figures are for the purpose of illustrating environment and form no part of the claimed design.

**1 Claim, 8 Drawing Sheets**



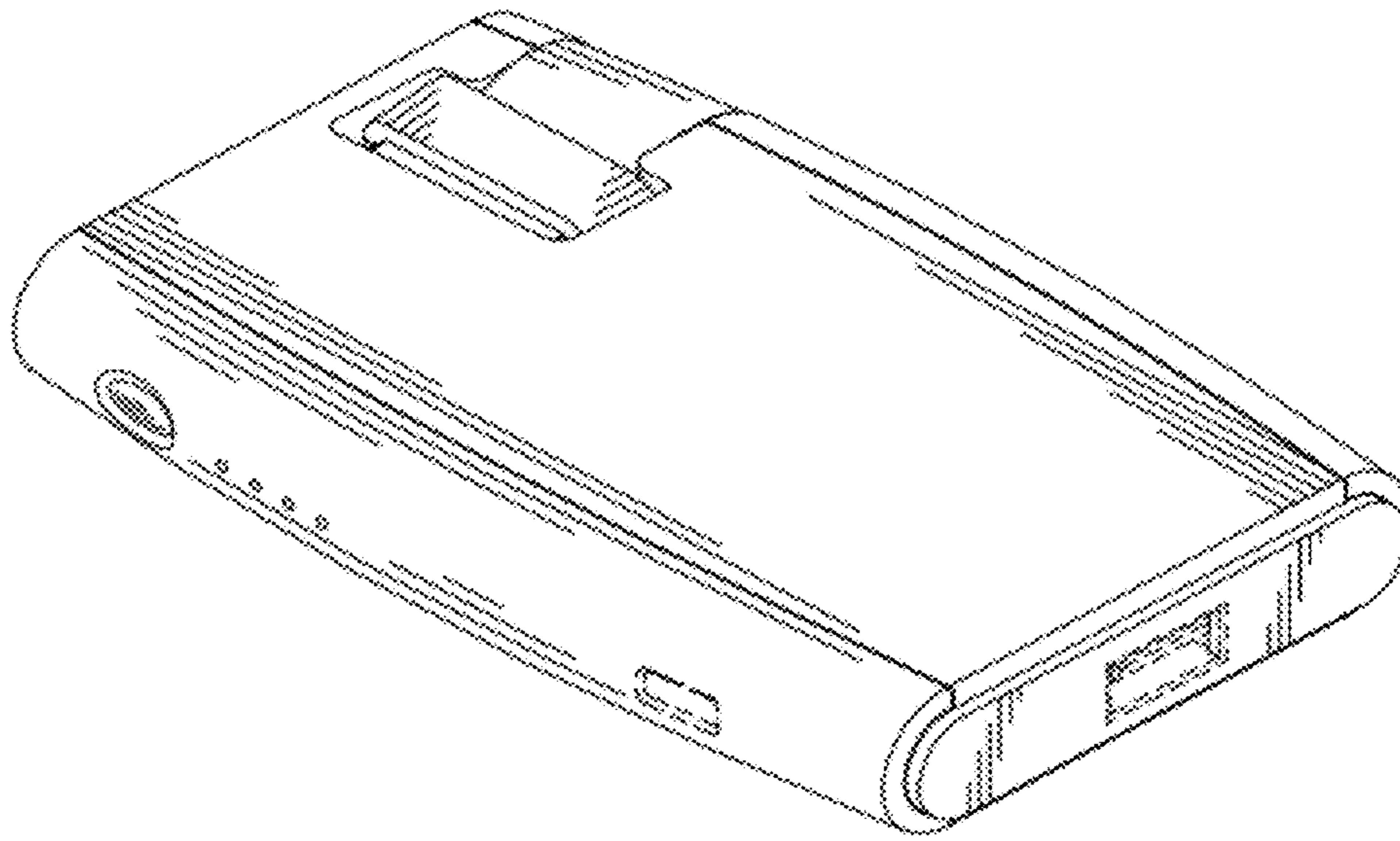


FIG. 1

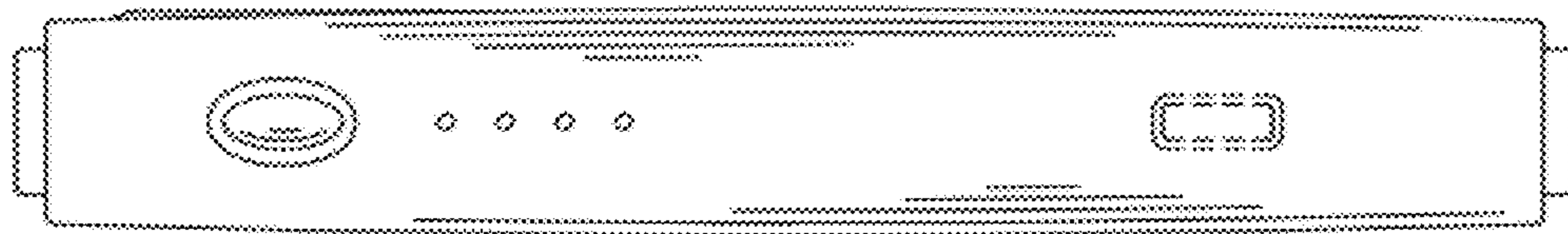


FIG. 2

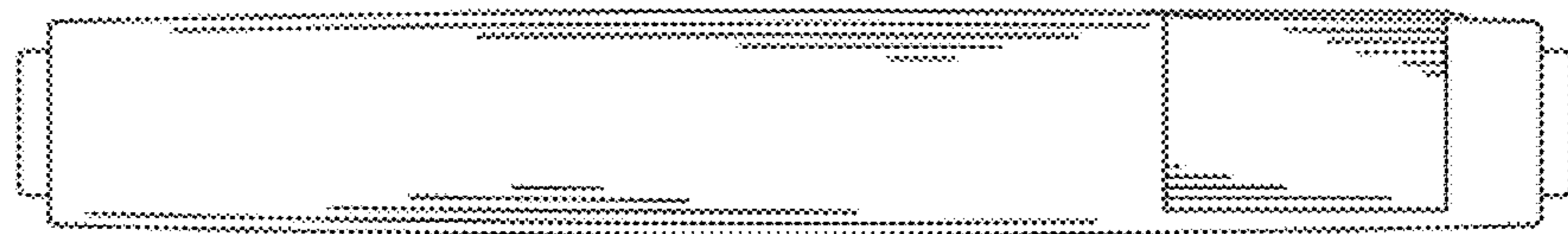


FIG. 3

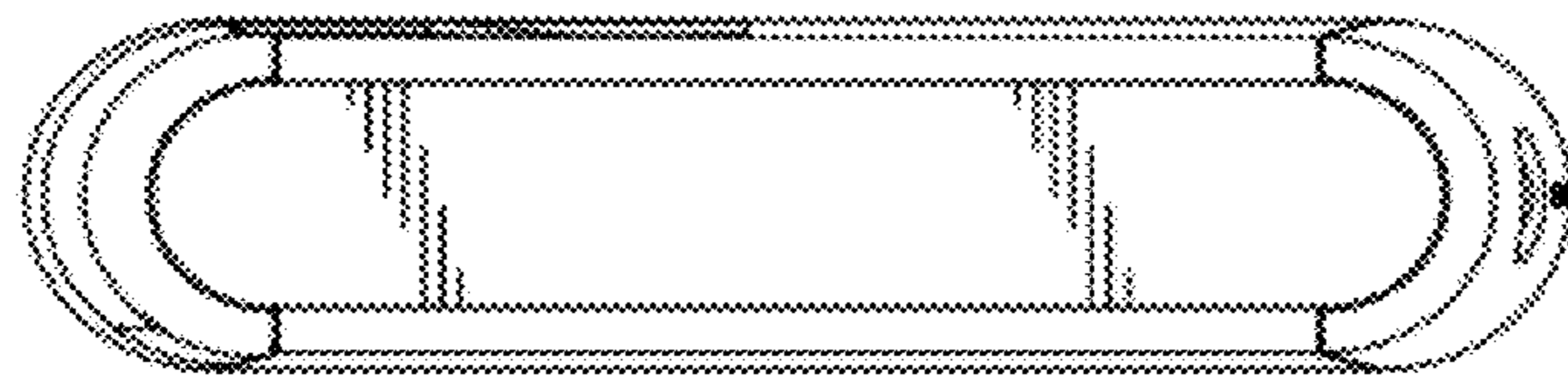


FIG. 4

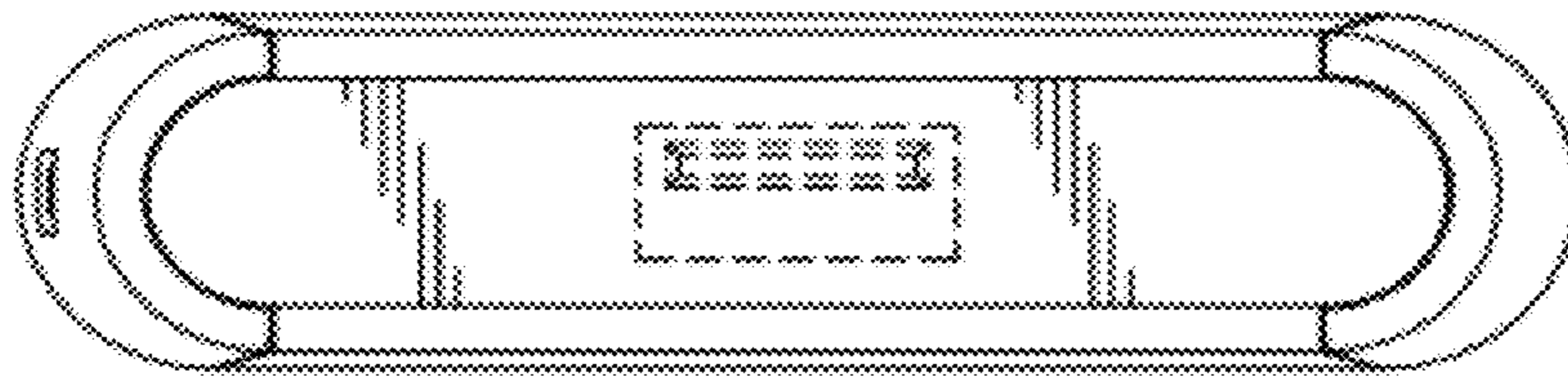


FIG. 5

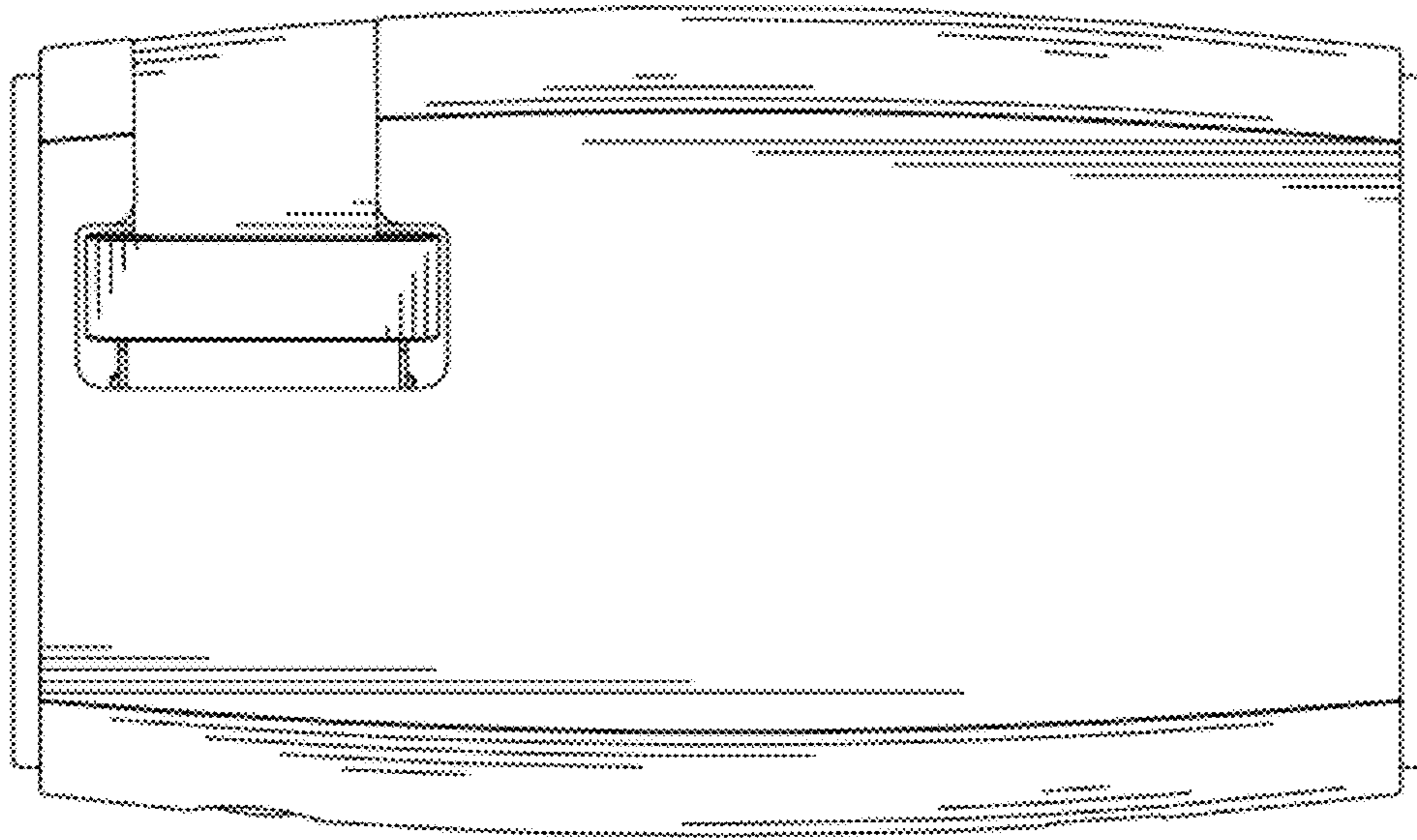


FIG. 6



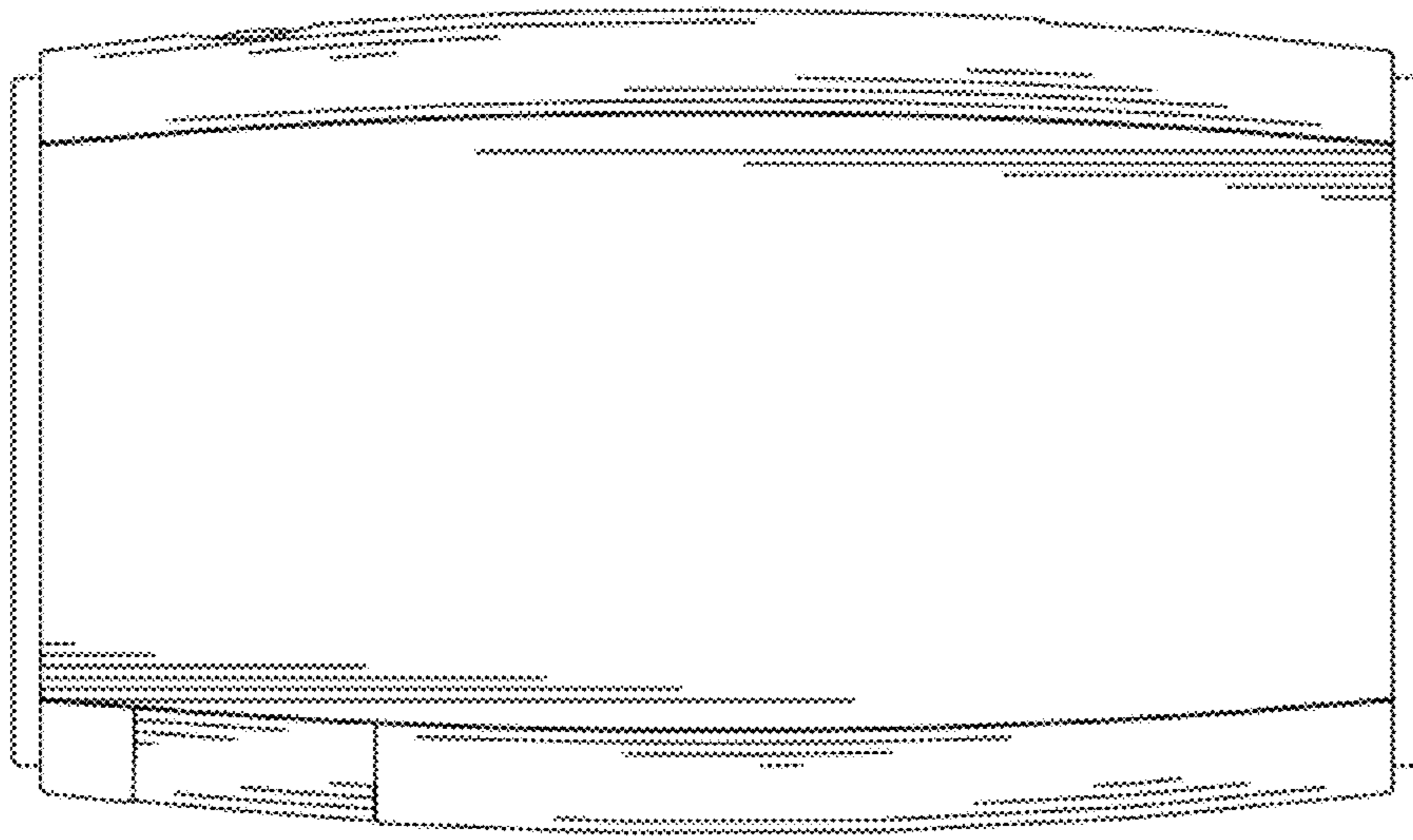


FIG. 7



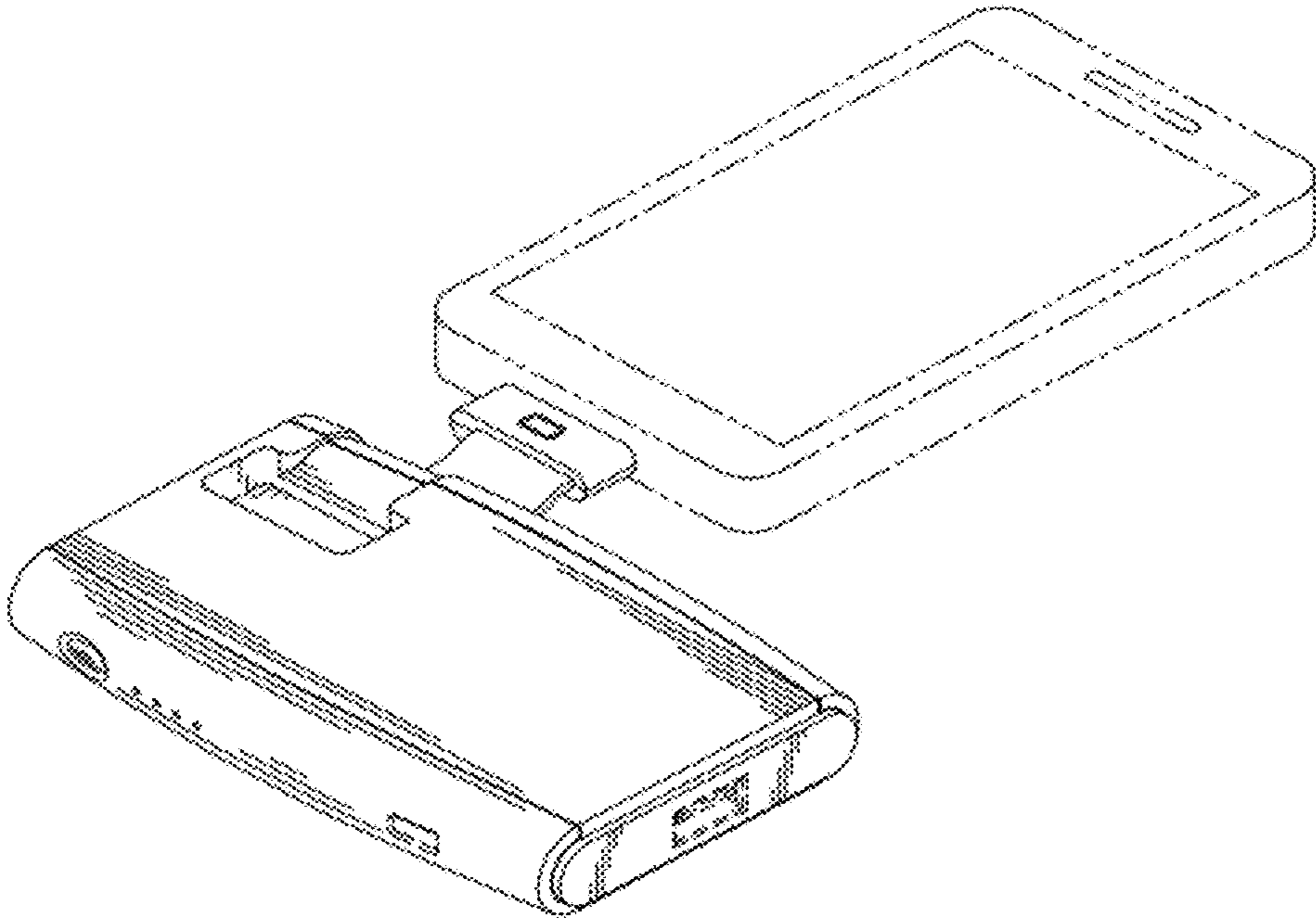


FIG. 8