

US00D672308S

(12) **United States Design Patent**  
**Cobbett et al.**

(10) **Patent No.:** **US D672,308 S**

(45) **Date of Patent:** **\*\* Dec. 11, 2012**

(54) **HOUSING FOR ELECTRONIC DATA  
MODULES**

(75) Inventors: **Jamian R. Cobbett**, Portland, OR (US);  
**Kyle Schepke**, Portland, OR (US); **Steve  
Jarvis**, Portland, OR (US)

(73) Assignee: **NIKE, Inc.**, Beaverton, OR (US)

(\*\*) Term: **14 Years**

(21) Appl. No.: **29/413,864**

(22) Filed: **Feb. 22, 2012**

(51) **LOC (9) Cl.** ..... **13-02**

(52) **U.S. Cl.** ..... **D13/107**

(58) **Field of Classification Search** ..... D13/107-110,  
D13/118-119, 184, 199; D14/251, 253,  
D14/432, 434; 320/107-115

See application file for complete search history.

(56) **References Cited**

**U.S. PATENT DOCUMENTS**

D276,809 S *	12/1984	Taylor	.....	D14/253
5,153,988 A *	10/1992	Mattis et al.	.....	29/863
D345,341 S *	3/1994	Tattari et al.	.....	D13/119
D352,711 S *	11/1994	Solomita et al.	.....	D14/149
D374,014 S *	9/1996	Nagele et al.	.....	D14/253
D385,283 S *	10/1997	Snyder et al.	.....	D14/253
5,692,324 A	12/1997	Goldston		
5,847,541 A *	12/1998	Hahn	.....	320/111
D412,494 S *	8/1999	Tamaki et al.	.....	D14/314
D420,671 S *	2/2000	Jacobsen et al.	.....	D14/240
D421,443 S *	3/2000	Nagele et al.	.....	D14/253
D453,155 S *	1/2002	Michel	.....	D14/253
D460,411 S *	7/2002	Wang	.....	D13/103
D460,412 S *	7/2002	Nawrozki	.....	D13/107
D475,679 S *	6/2003	Cooper et al.	.....	D13/103
D501,479 S	2/2005	Bang		
D501,480 S	2/2005	Bang		
D501,661 S	2/2005	Bang		
D507,526 S	7/2005	Ohta		
D522,963 S *	6/2006	Hayes et al.	.....	D13/108
D532,367 S *	11/2006	Kettula et al.	.....	D13/108
D532,370 S *	11/2006	Shimizu	.....	D13/108
D544,486 S	6/2007	Hussaini		

D544,487 S	6/2007	Hussaini		
D551,668 S	9/2007	Newby		
D552,610 S	10/2007	Newby		
D555,086 S *	11/2007	Zhang	.....	D13/103
D584,732 S	1/2009	Cho		
D586,795 S	2/2009	Richter		
D623,131 S *	9/2010	Kawakami et al.	.....	D13/107
D634,269 S *	3/2011	Griffin, Jr.	.....	D13/108
8,183,830 B2 *	5/2012	Law	.....	320/110

**OTHER PUBLICATIONS**

Nike Store. Nike Sport Charger, [online], [retrieved on Sep. 12, 2012]. Retrieved from the Internet <URL: [http://store.nike.com/us/en\\_us/?l=shop,pdp,ctr-inline/cid-1/pid-646548](http://store.nike.com/us/en_us/?l=shop,pdp,ctr-inline/cid-1/pid-646548)>.\*

The New Nike+: Sneakers embedded with pressure sensors and accelerometers bring allnew opportunities for athletic performance tracking, [online] Feb. 22, 2012 [retrieved on Sep. 12, 2012]. Retrieved from the Internet <URL: <http://www.coolhunting.com/tech/new-nikeplus.php>>.\*

\* cited by examiner

*Primary Examiner* — Karen E Kearney

(74) *Attorney, Agent, or Firm* — Banner & Witcoff, Ltd.

(57) **CLAIM**

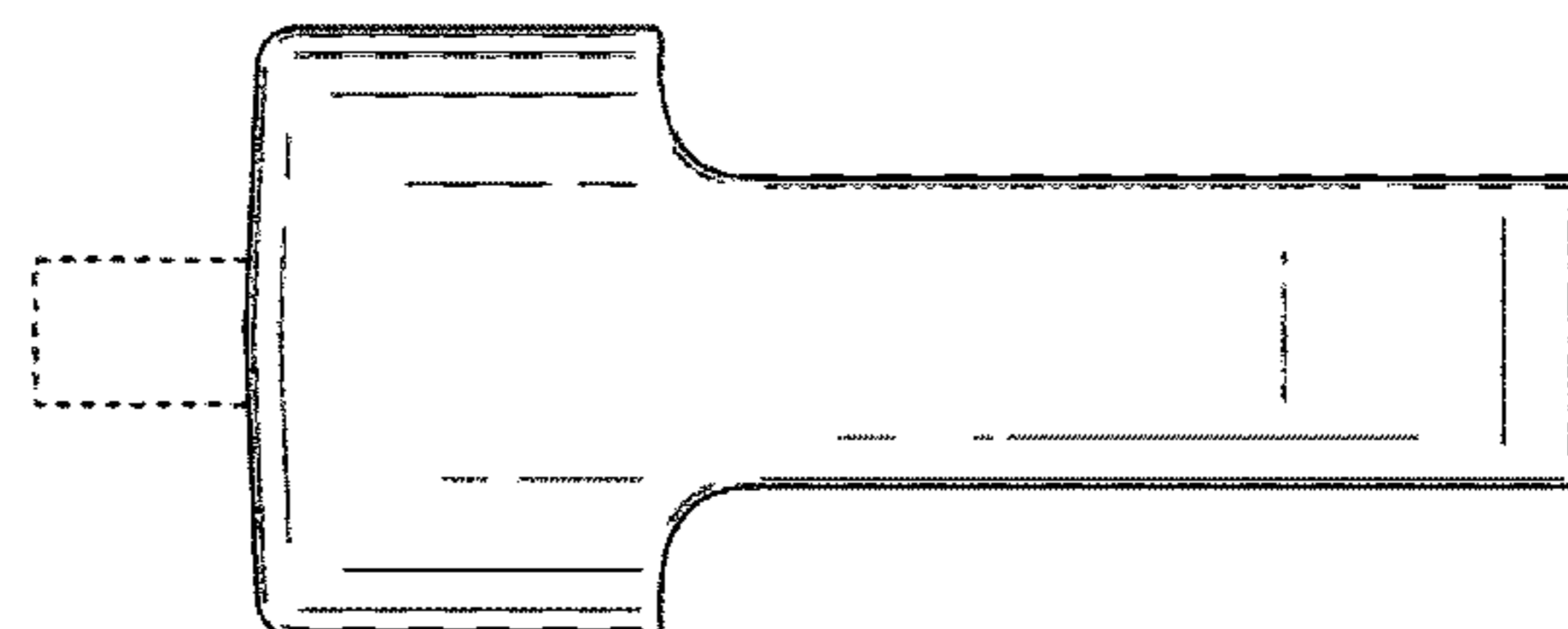
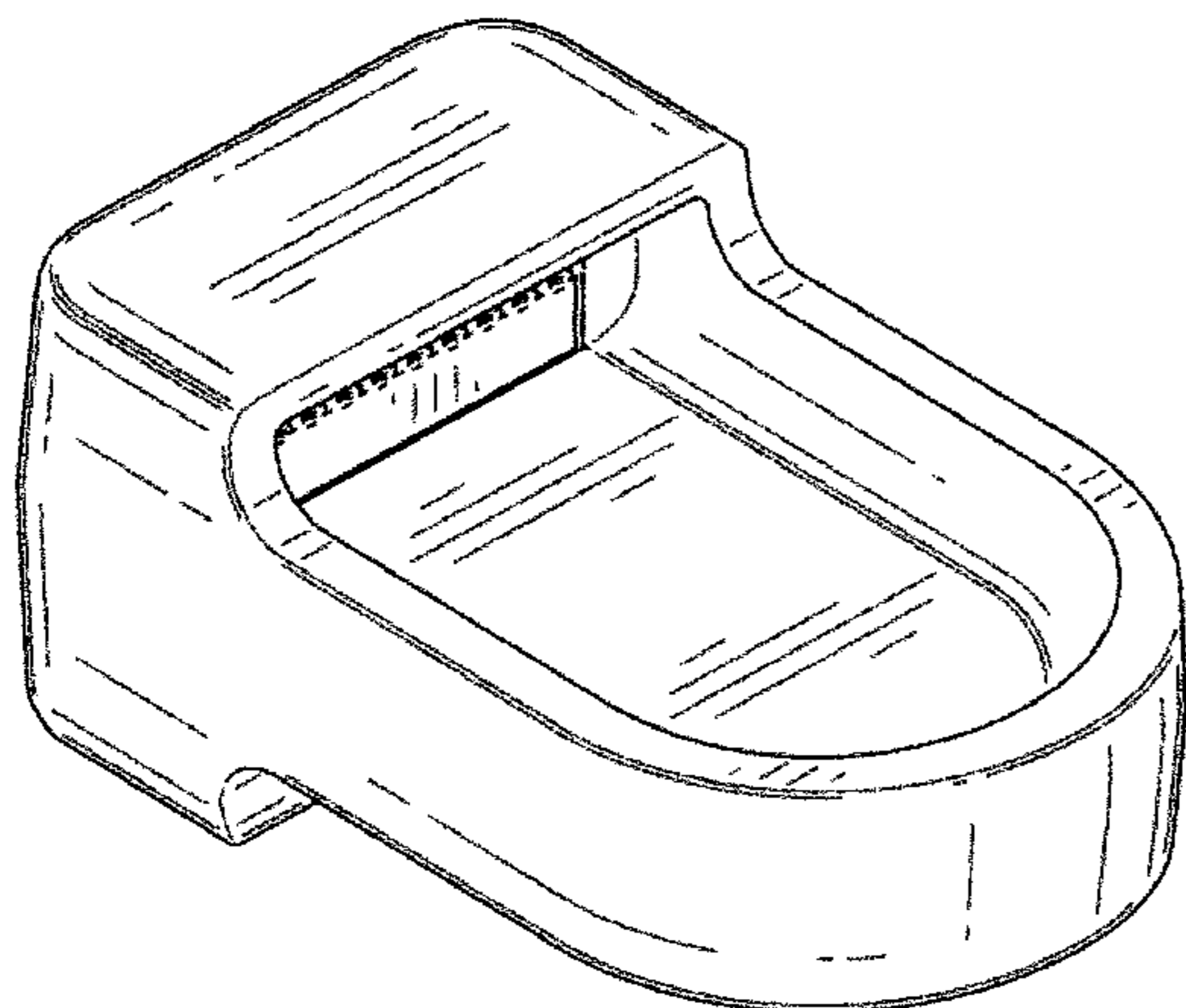
The ornamental design for a housing for electronic data modules, as shown and described.

**DESCRIPTION**

FIG. 1 is an isometric view of a housing for electronic data modules showing our new design;  
FIG. 2 is a front view thereof;  
FIG. 3 is a rear view thereof;  
FIG. 4 is a right side view thereof;  
FIG. 5 is a left side view thereof;  
FIG. 6 is a bottom view thereof; and,  
FIG. 7 is a top view thereof.

The broken line showings of connector elements and a cable are for the purpose of illustrating portions of the housing for electronic data modules and form no part of the claimed design.

**1 Claim, 4 Drawing Sheets**



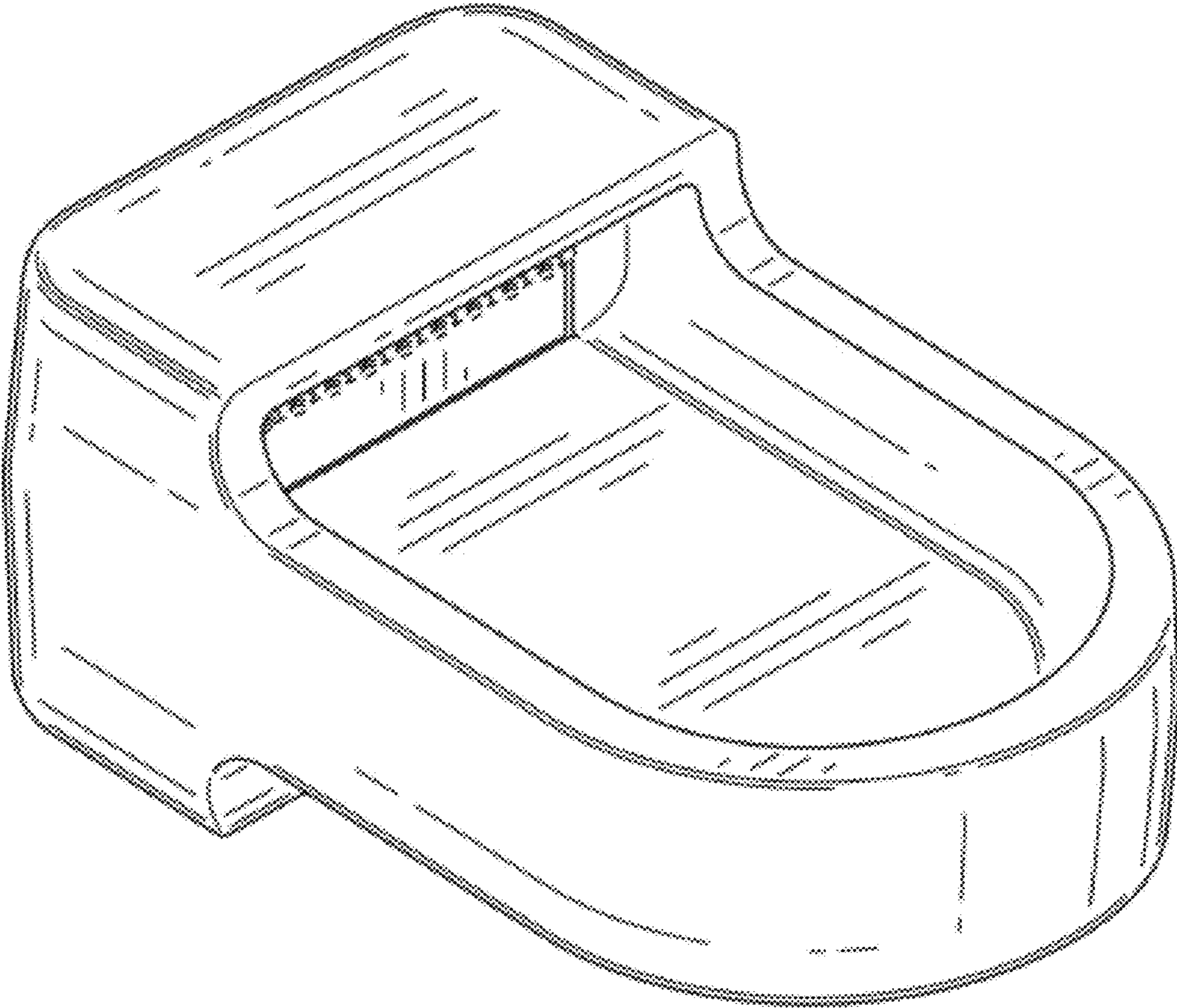


FIG. 1

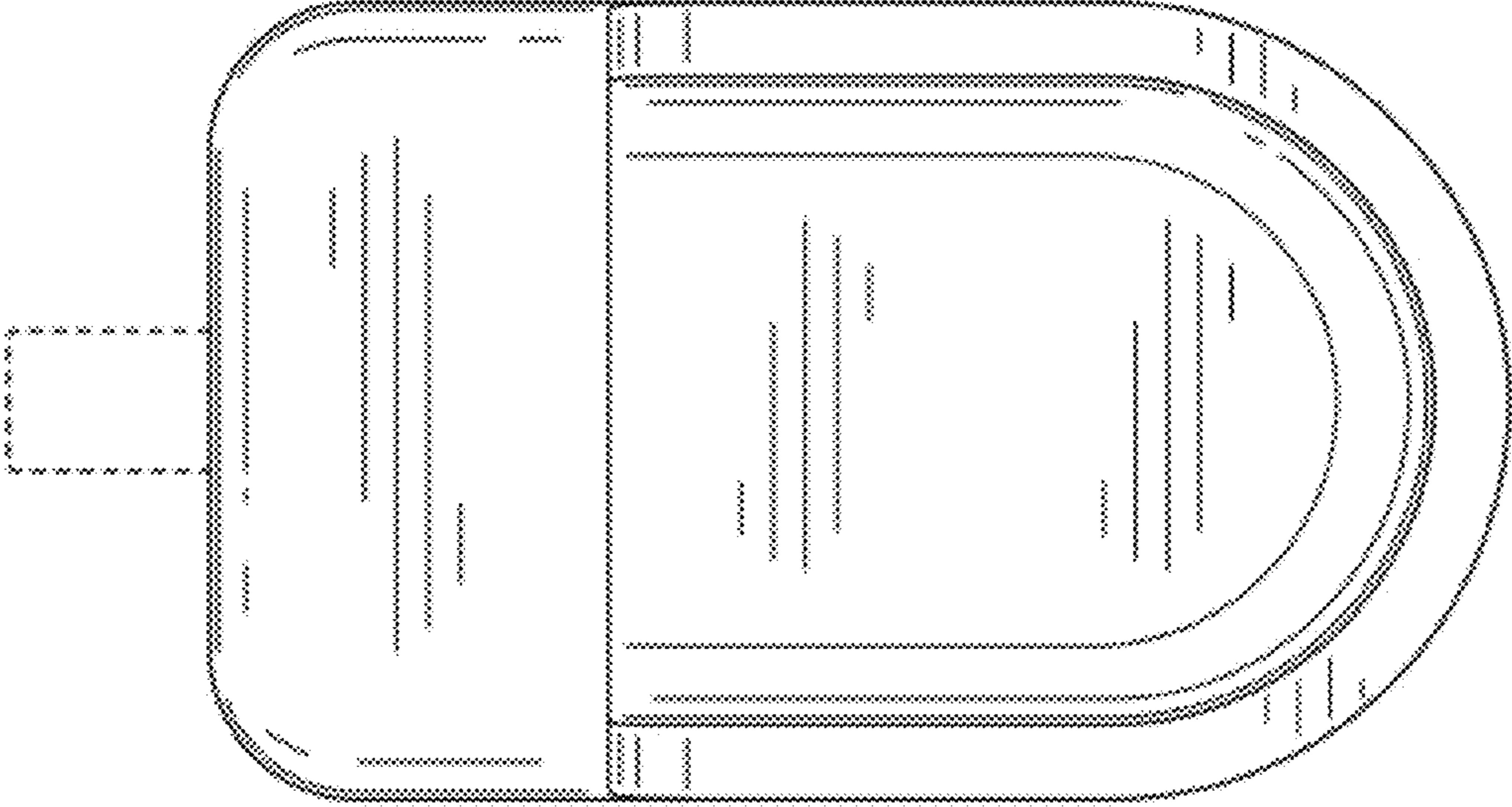


FIG. 2

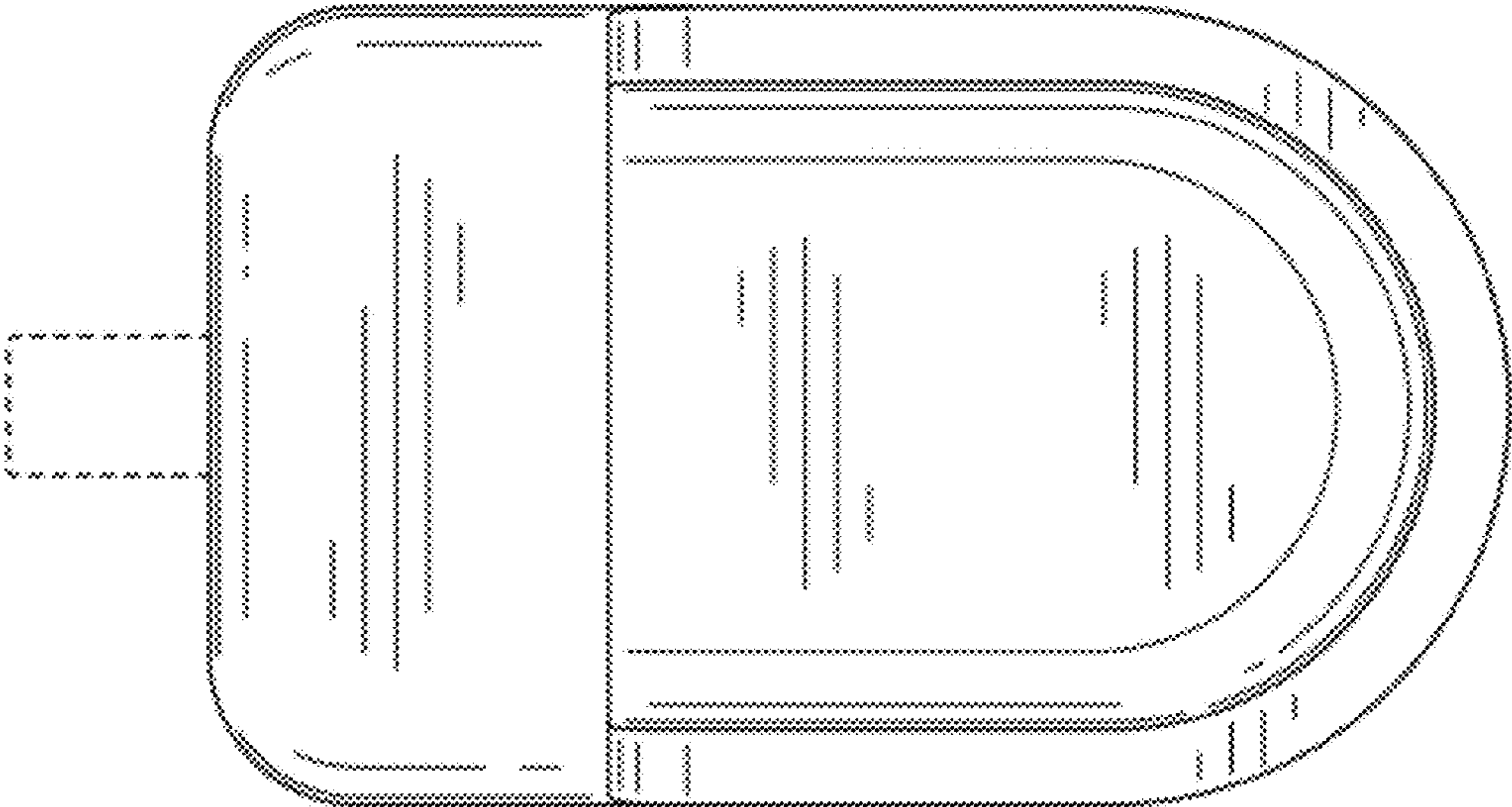


FIG. 3

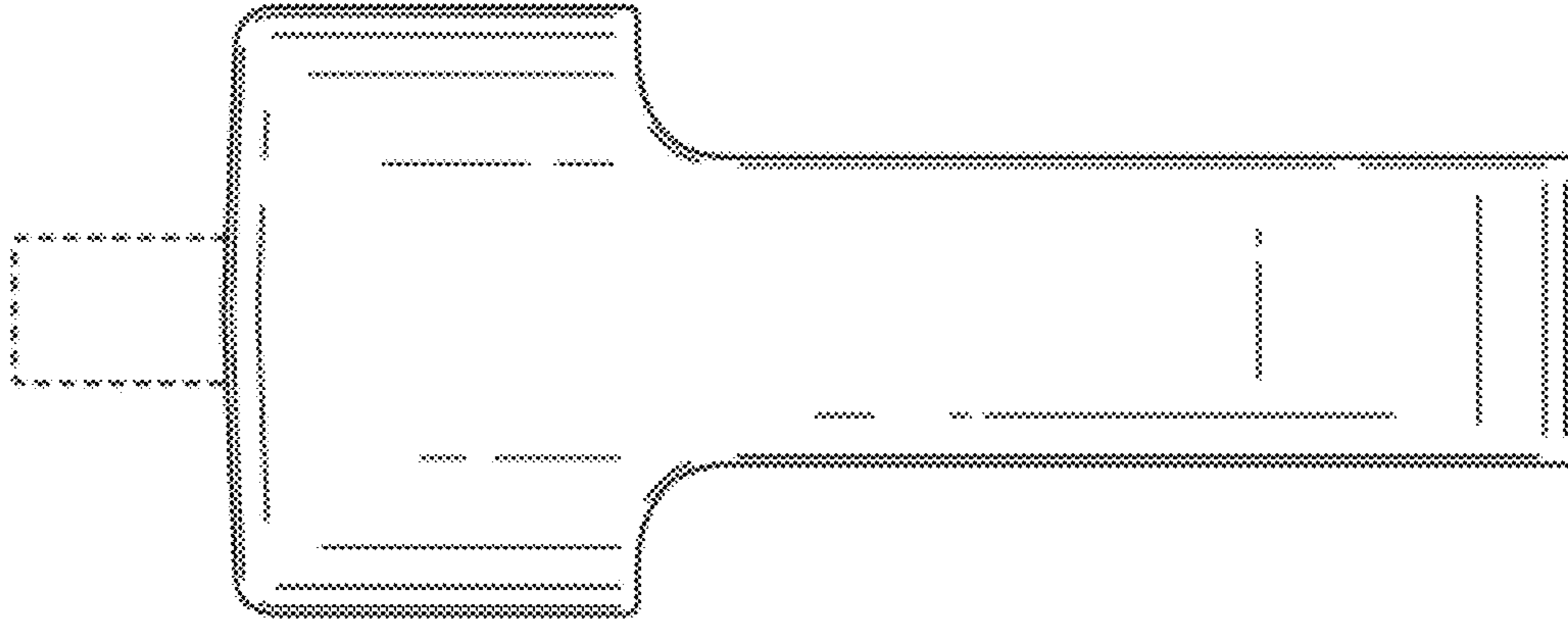


FIG. 4

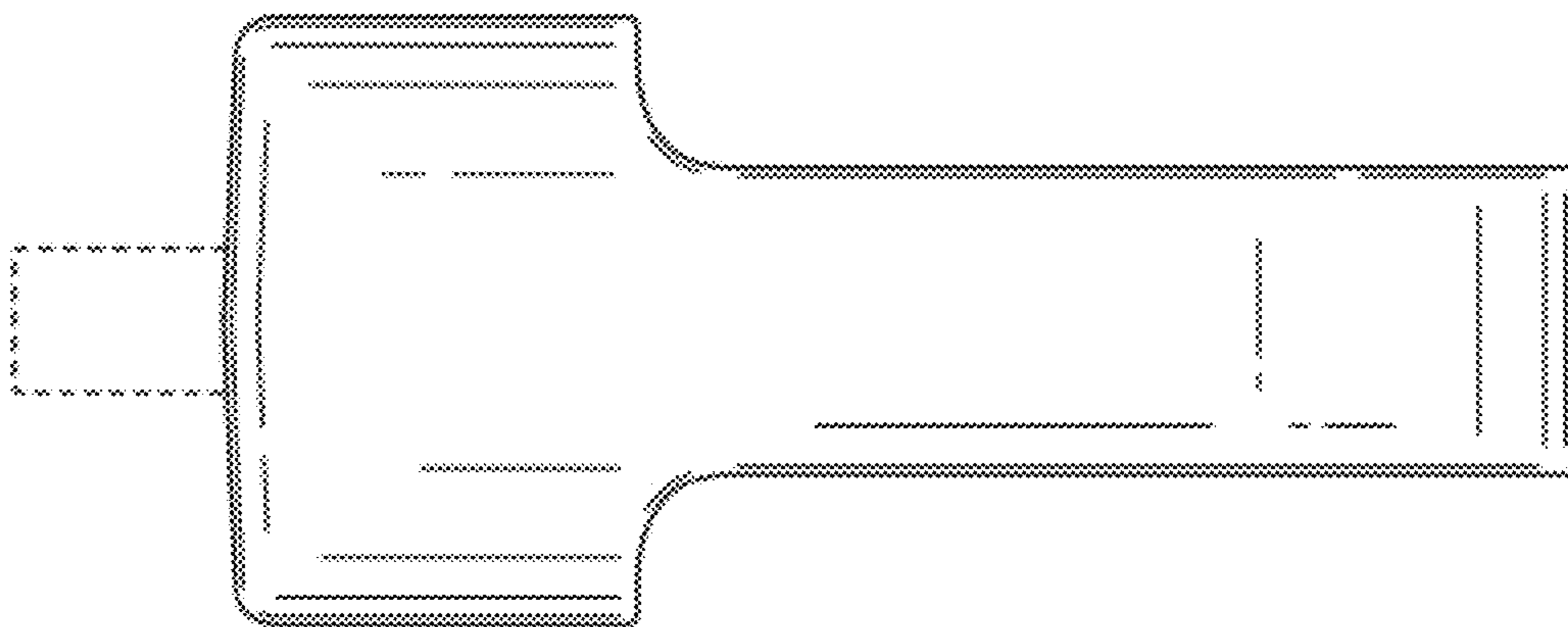


FIG. 5

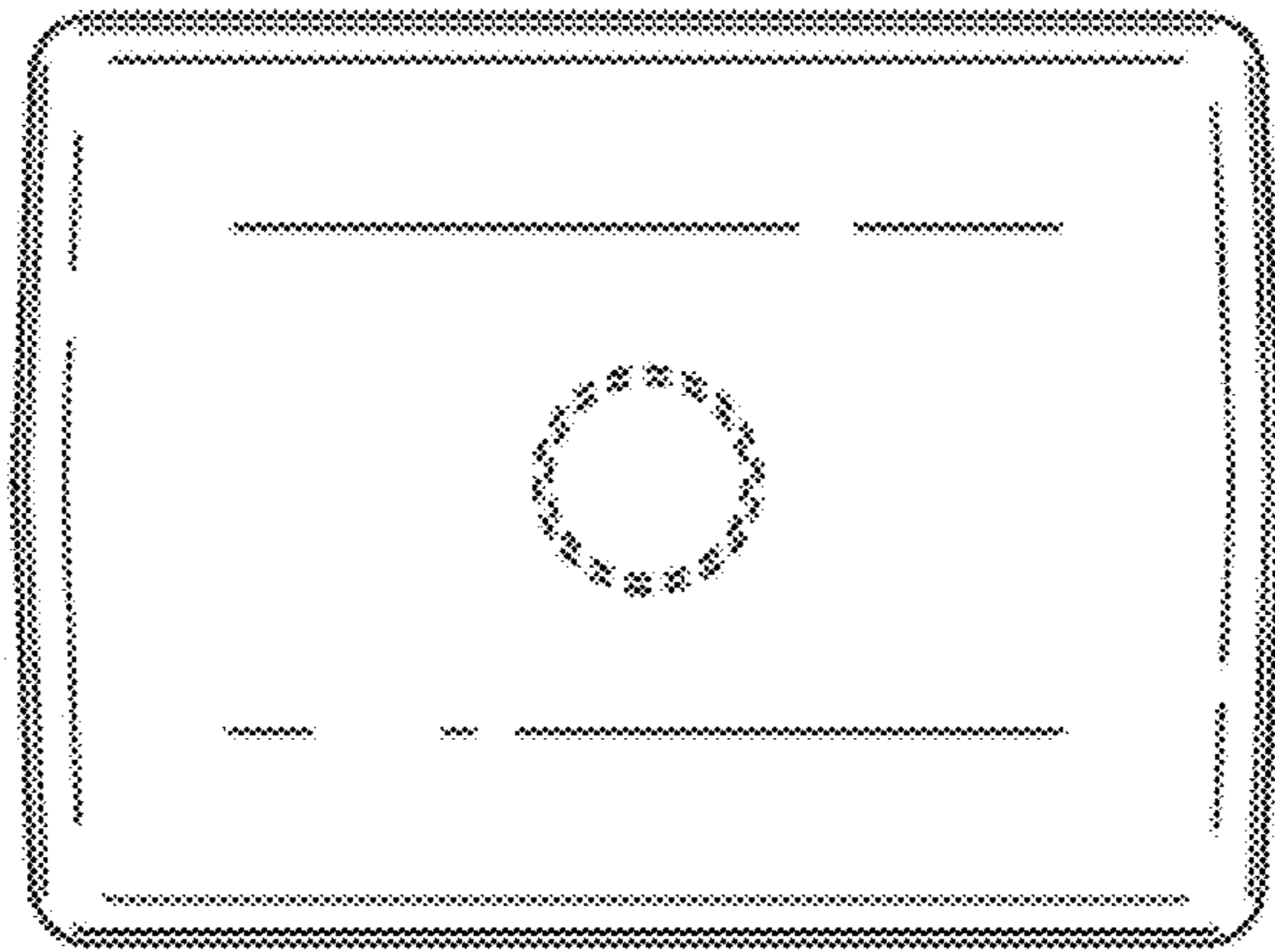


FIG. 6

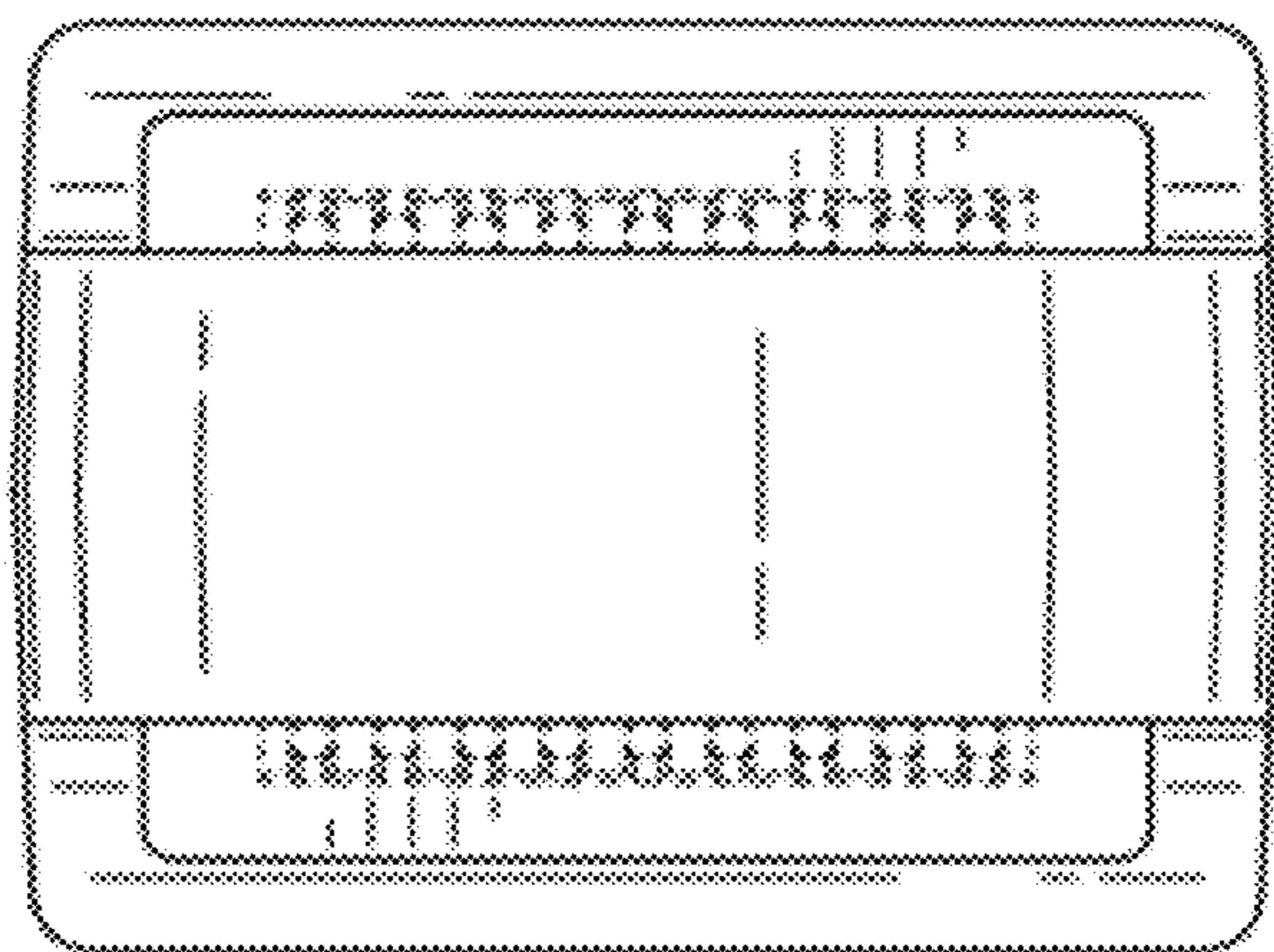


FIG. 7