



US00D672307S

(12) **United States Design Patent**
von Holzhausen et al.

(10) **Patent No.:** **US D672,307 S**

(45) **Date of Patent:** **** Dec. 11, 2012**

(54) **VEHICLE INTEGRATED DISPLAY AND MOUNT**

(75) Inventors: **Franz von Holzhausen**, Malibu, CA (US); **Andre Franco Luis**, Los Angeles, CA (US)

(73) Assignee: **Tesla Motors, Inc.**, Palo Alto, CA (US)

(**) Term: **14 Years**

(21) Appl. No.: **29/412,829**

(22) Filed: **Feb. 8, 2012**

(51) **LOC (9) Cl.** **12-16**

(52) **U.S. Cl.** **D12/415**

(58) **Field of Classification Search** D12/415, D12/416, 417, 418, 419, 420; 296/36; 22/539; 224/404; 248/274.1, 284.1; D8/354; D9/423; D14/451-452

See application file for complete search history.

(56) **References Cited**

U.S. PATENT DOCUMENTS

D434,365 S *	11/2000	Herer et al.	D12/415
D443,855 S *	6/2001	Herer et al.	D12/415
D474,731 S *	5/2003	Moore	D12/415
D500,284 S *	12/2004	Clark	D12/415

D535,608 S *	1/2007	Sullivan	D12/415
7,210,725 B2 *	5/2007	Moore	296/37.8
D594,356 S *	6/2009	Riddiford	D10/65
D594,357 S *	6/2009	Riddiford	D10/65
D621,760 S *	8/2010	Wiedeman et al.	D12/192
D628,531 S *	12/2010	Benedetti	D12/415
D638,347 S *	5/2011	Davis	D12/416

* cited by examiner

Primary Examiner — Katrina A Betton

(74) *Attorney, Agent, or Firm* — Patent Law Office of David G. Beck

(57) **CLAIM**

The ornamental design for a vehicle integrated display and mount, as shown and described.

DESCRIPTION

FIG. 1 is a left perspective view of a vehicle integrated display and mount;

FIG. 2 is a right perspective view thereof;

FIG. 3 is a front elevational view thereof;

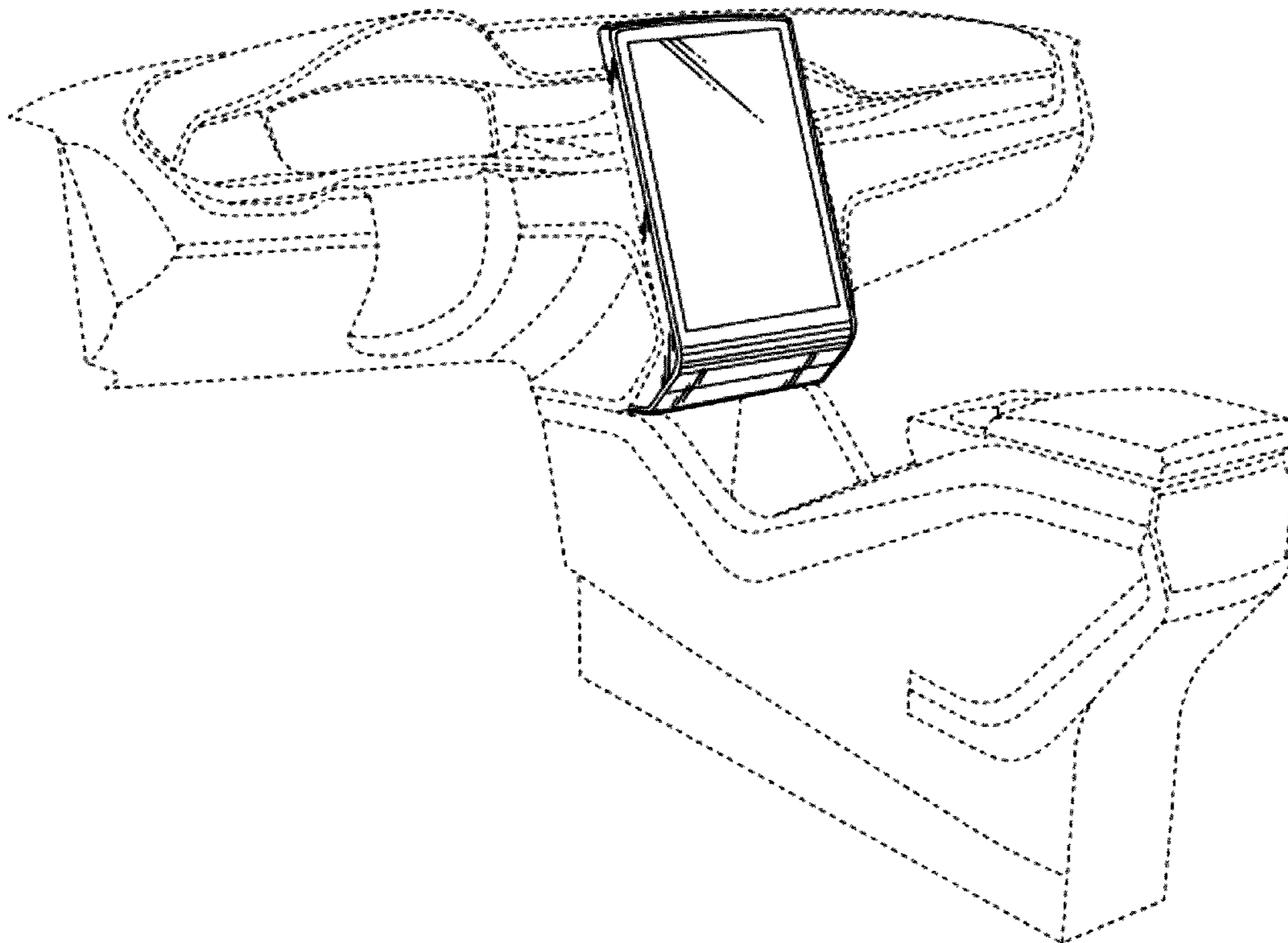
FIG. 4 is a left side elevational view thereof;

FIG. 5 is a right side elevational view thereof; and,

FIG. 6 is a top elevational view thereof.

In the drawings, the broken lines depict a vehicle console and form no part of the claimed design.

1 Claim, 6 Drawing Sheets



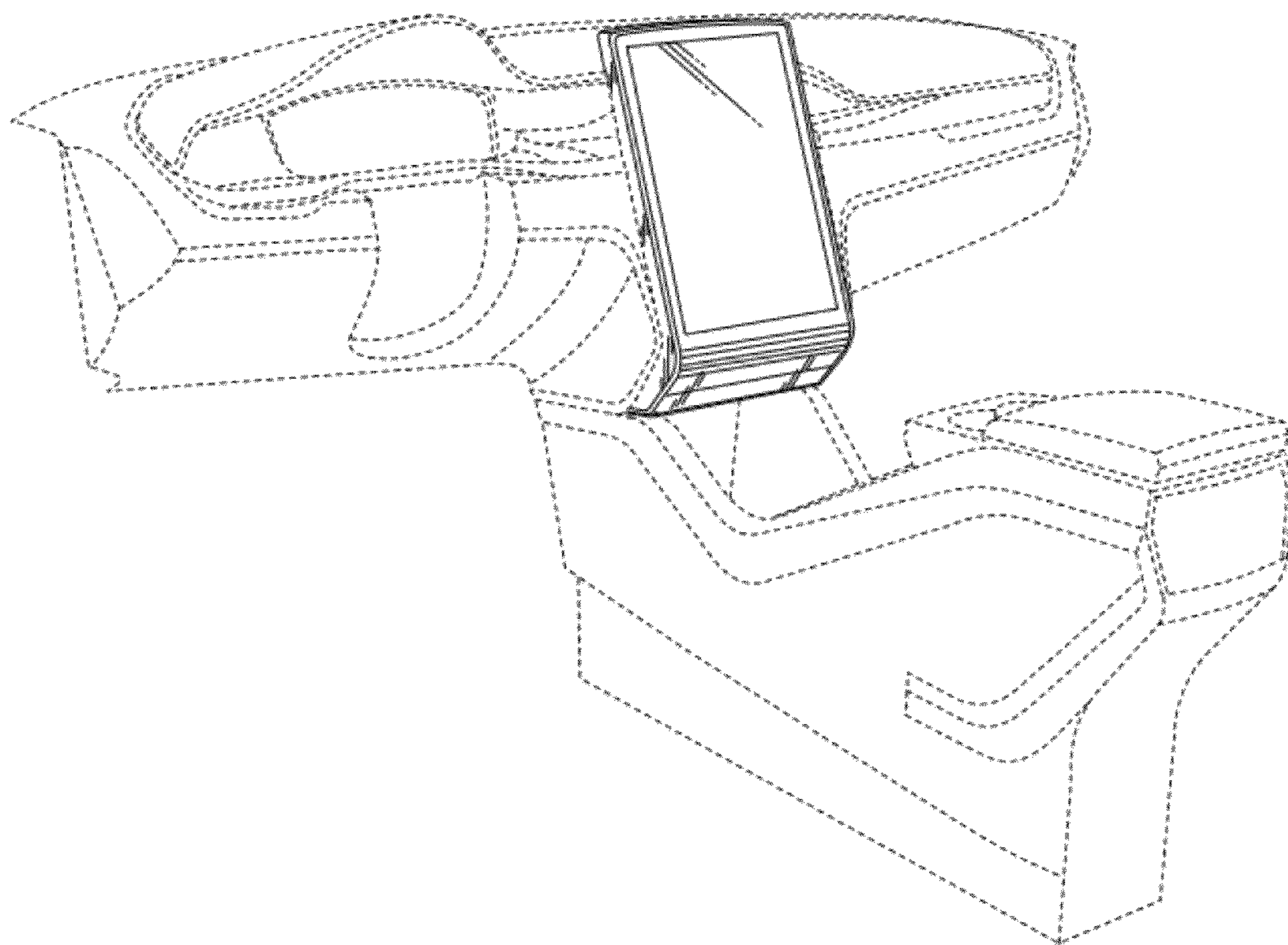


FIG. 1

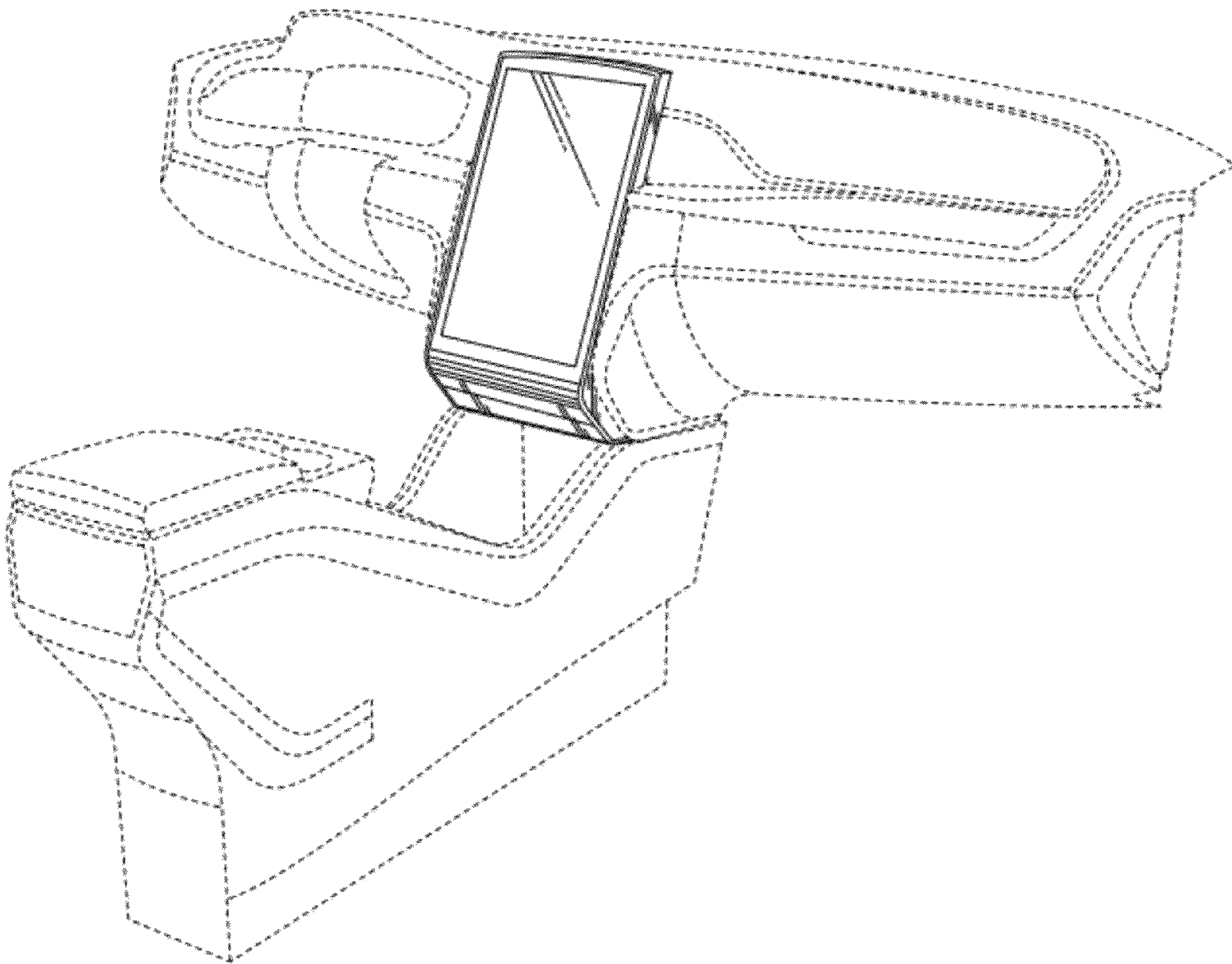


FIG. 2

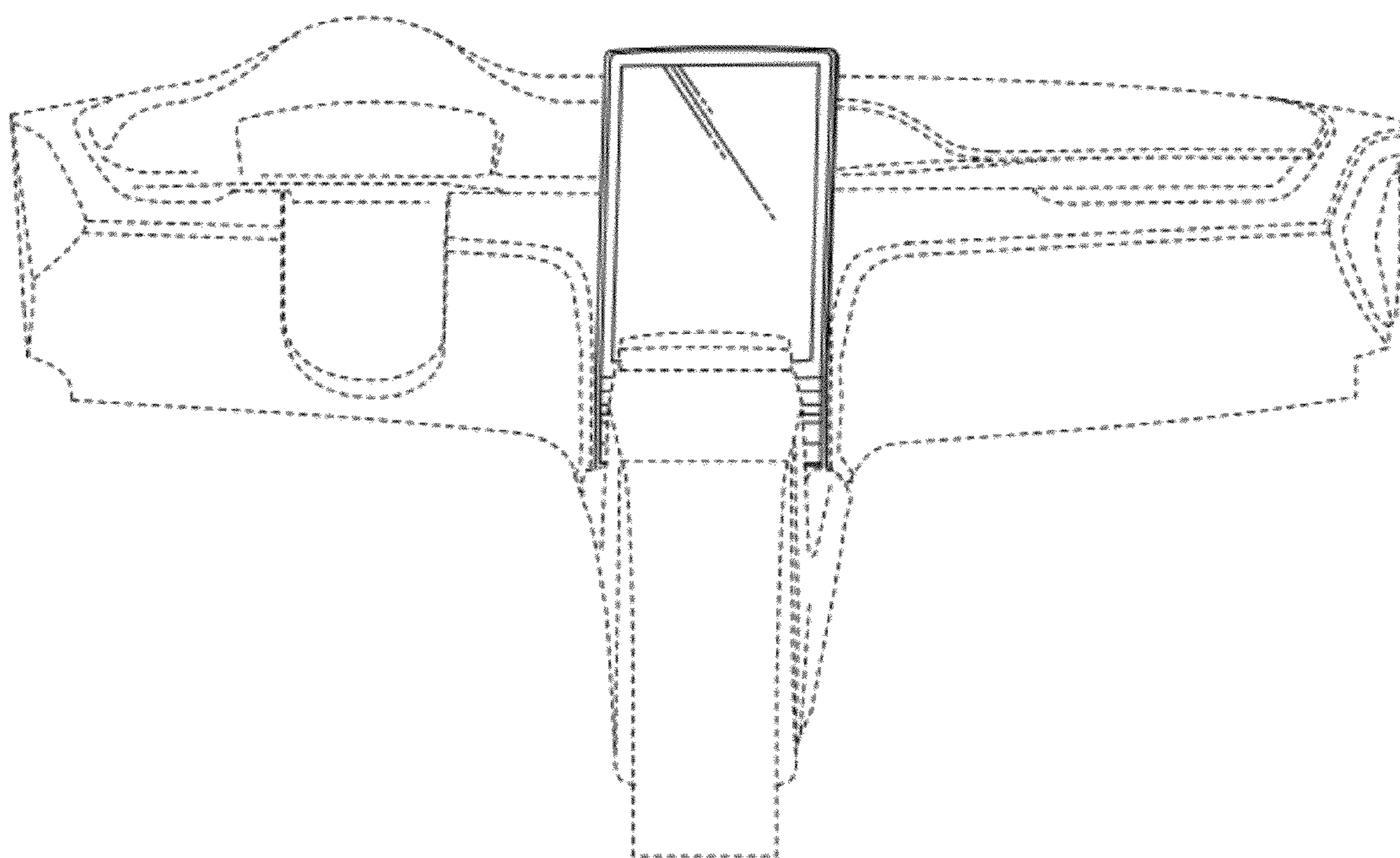


FIG. 3

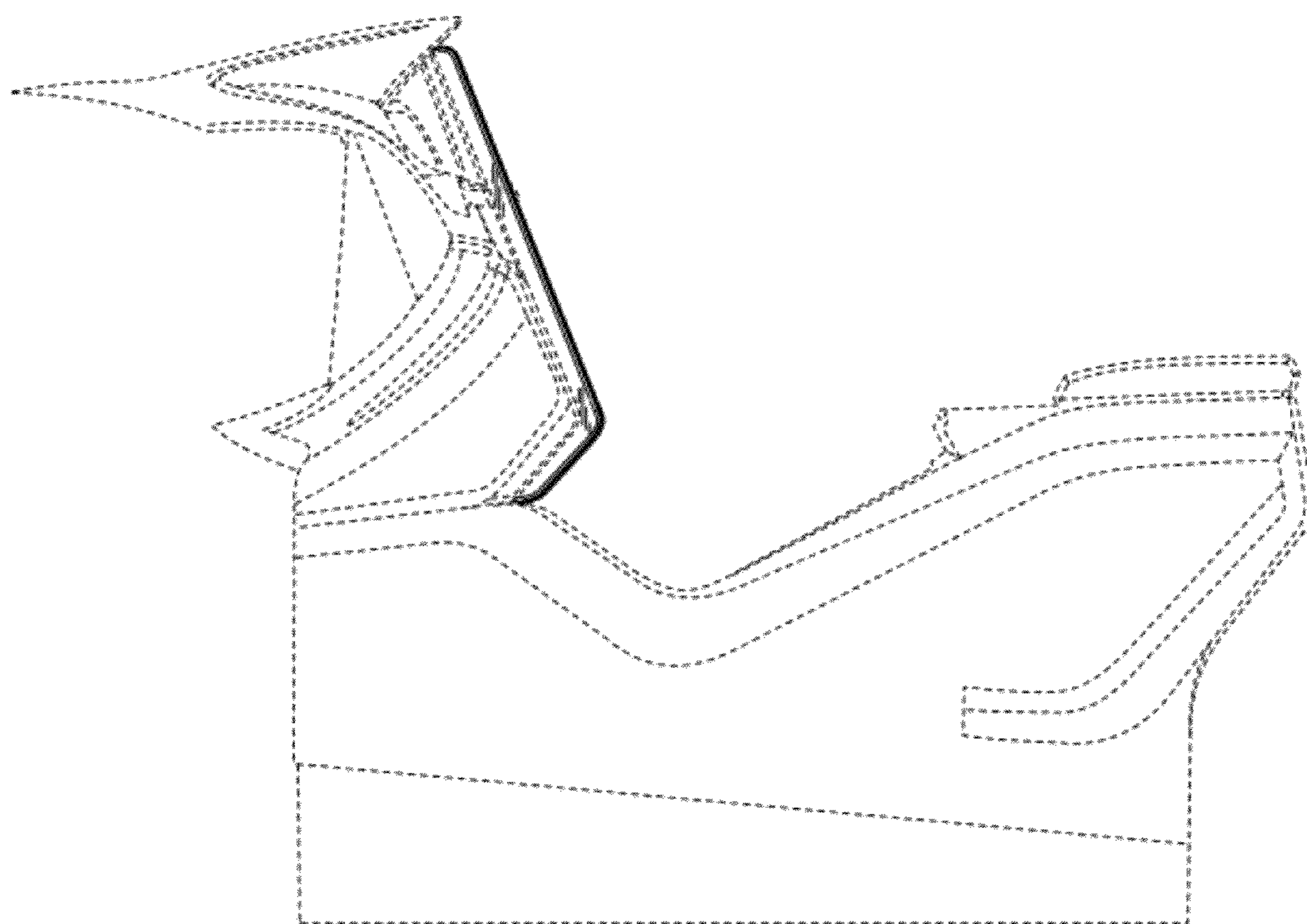


FIG. 4

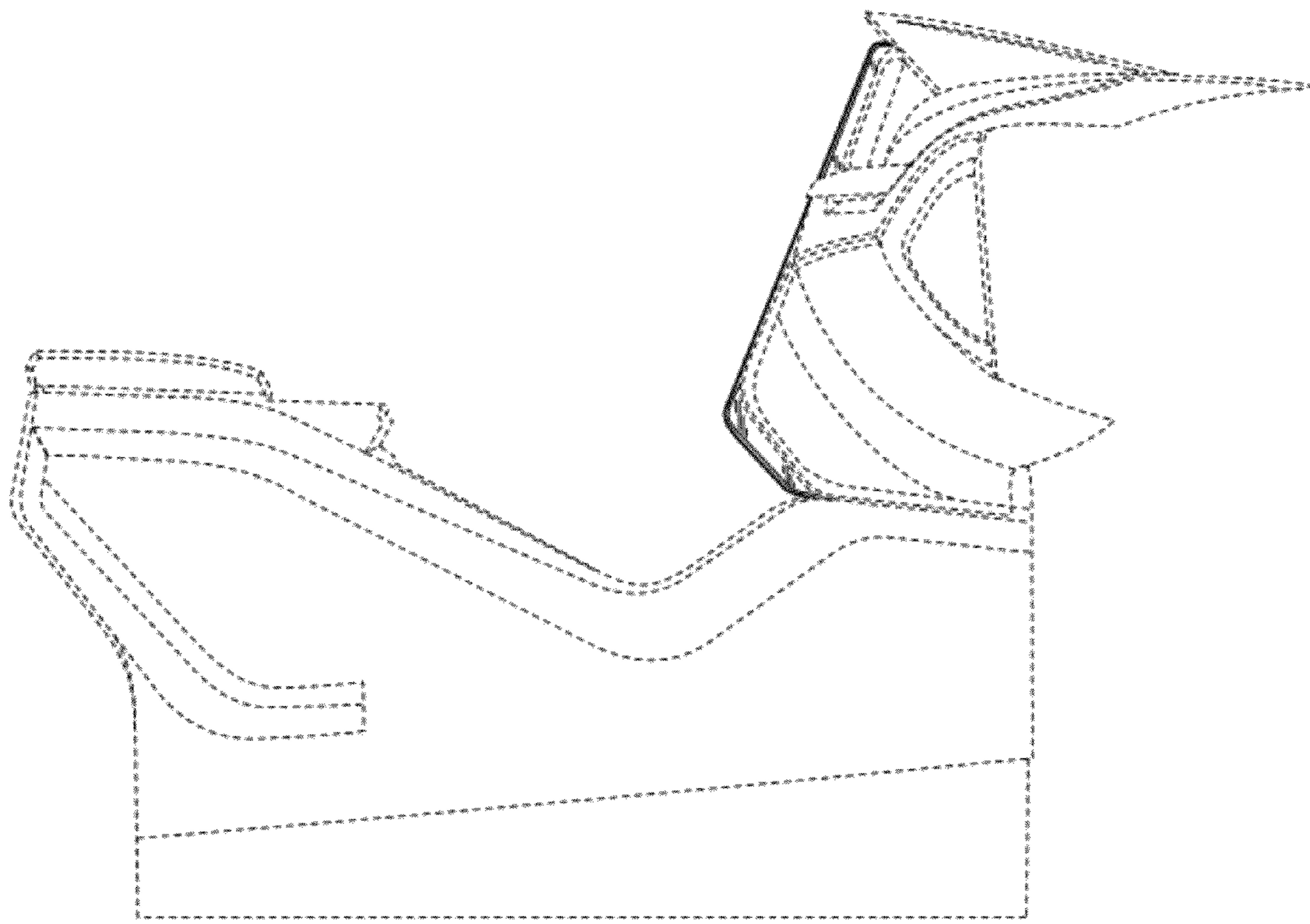


FIG. 5

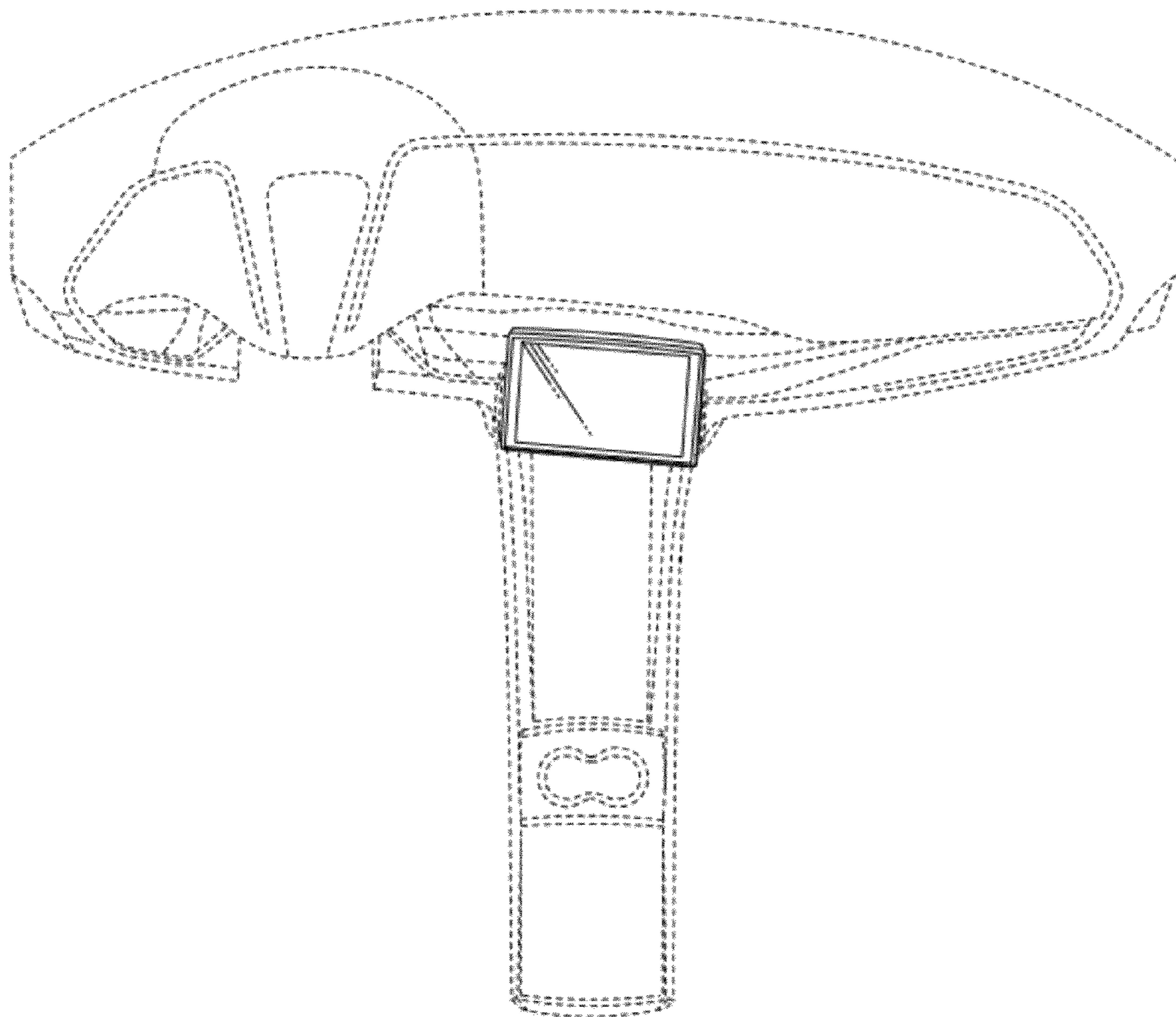


FIG. 6