



US00D672304S

(12) **United States Design Patent**
Marsh

(10) **Patent No.:** **US D672,304 S**

(45) **Date of Patent:** **** Dec. 11, 2012**

(54) **DECORATIVE ACCESSORY SLEEVE FOR AN
AUTOMOTIVE MIRROR**

(75) Inventor: **Christopher J. Marsh**, Peoria, IL (US)

(73) Assignee: **Christopher J. Marsh**, Peoria, IL (US)

(**) Term: **14 Years**

(21) Appl. No.: **29/383,673**

(22) Filed: **Jan. 20, 2011**

(51) **LOC (9) Cl.** **12-16**

(52) **U.S. Cl.** **D12/401**

(58) **Field of Classification Search** D12/401-405,
D12/188, 187, 189; 160/370.21, 370.22,
160/370.23; 280/770; 150/158, 165-167;
296/100.11-100.18, 136.01, 136.07, 136.05,
296/136.06, 95.1, 77.1; 135/88.01, 95; D6/300,
D6/309; D21/754

See application file for complete search history.

(56) **References Cited**

U.S. PATENT DOCUMENTS

4,915,488	A	*	4/1990	Lambert et al.	359/608
D325,121	S	*	4/1992	Merchant	D2/947
D390,529	S	*	2/1998	Adams et al.	D12/401
D435,344	S	*	12/2000	Harrison	D3/299
D550,457	S	*	9/2007	Schlegel	D3/300

D561,670	S	*	2/2008	Elwell et al.	D12/188
D576,543	S	*	9/2008	Corley et al.	D12/401
D631,818	S	*	2/2011	Seale	D12/401
D633,430	S	*	3/2011	Stephanis et al.	D12/401
D650,198	S	*	12/2011	Manning	D6/401
D651,511	S	*	1/2012	Frias	D9/435
D653,192	S	*	1/2012	Lewis	D12/401
D656,454	S	*	3/2012	Bost et al.	D12/401

* cited by examiner

Primary Examiner — Katrina A Betton

(74) *Attorney, Agent, or Firm* — H. Frederick Rusche;
Husch Blackwell LLP

(57) **CLAIM**

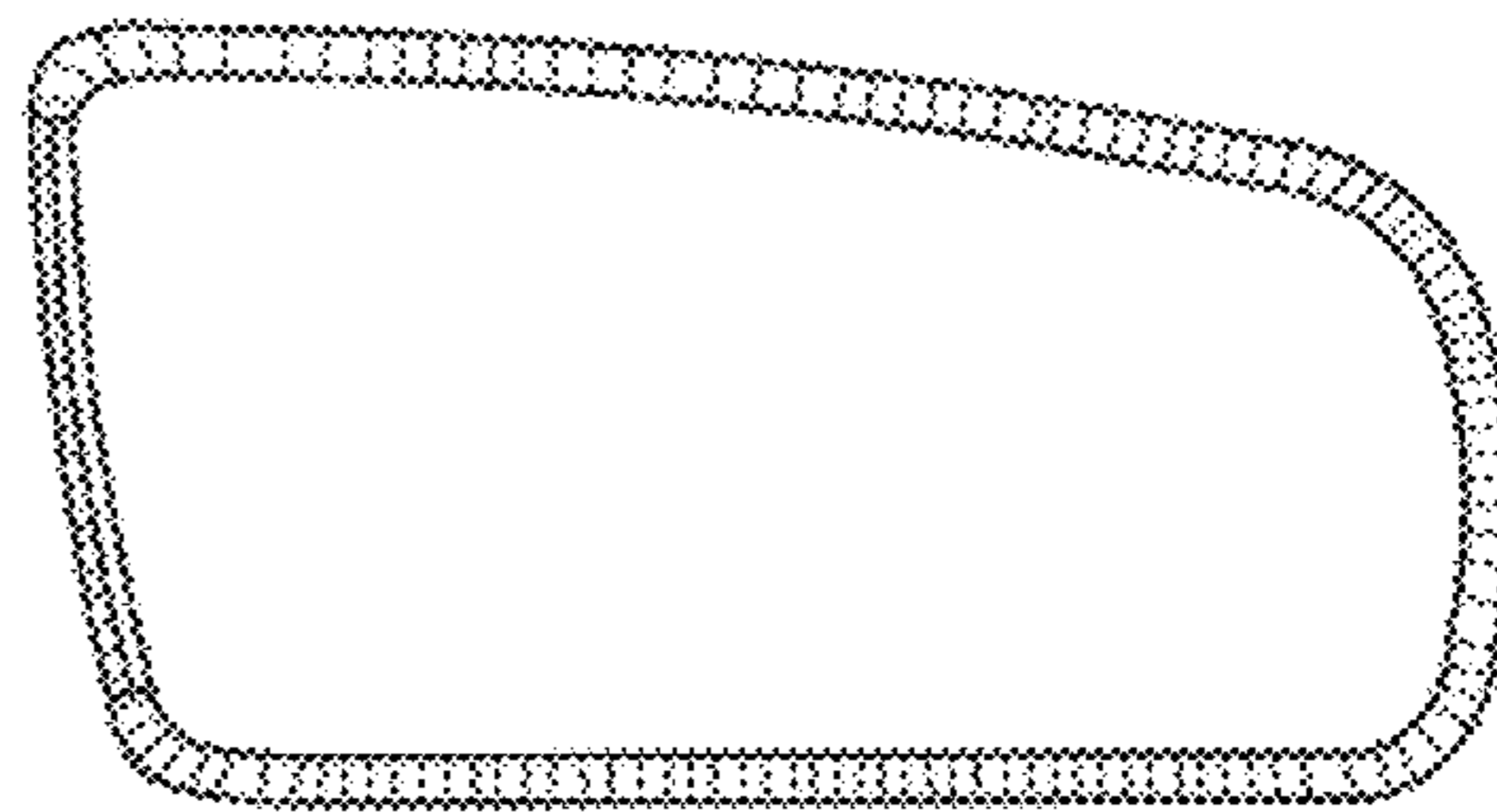
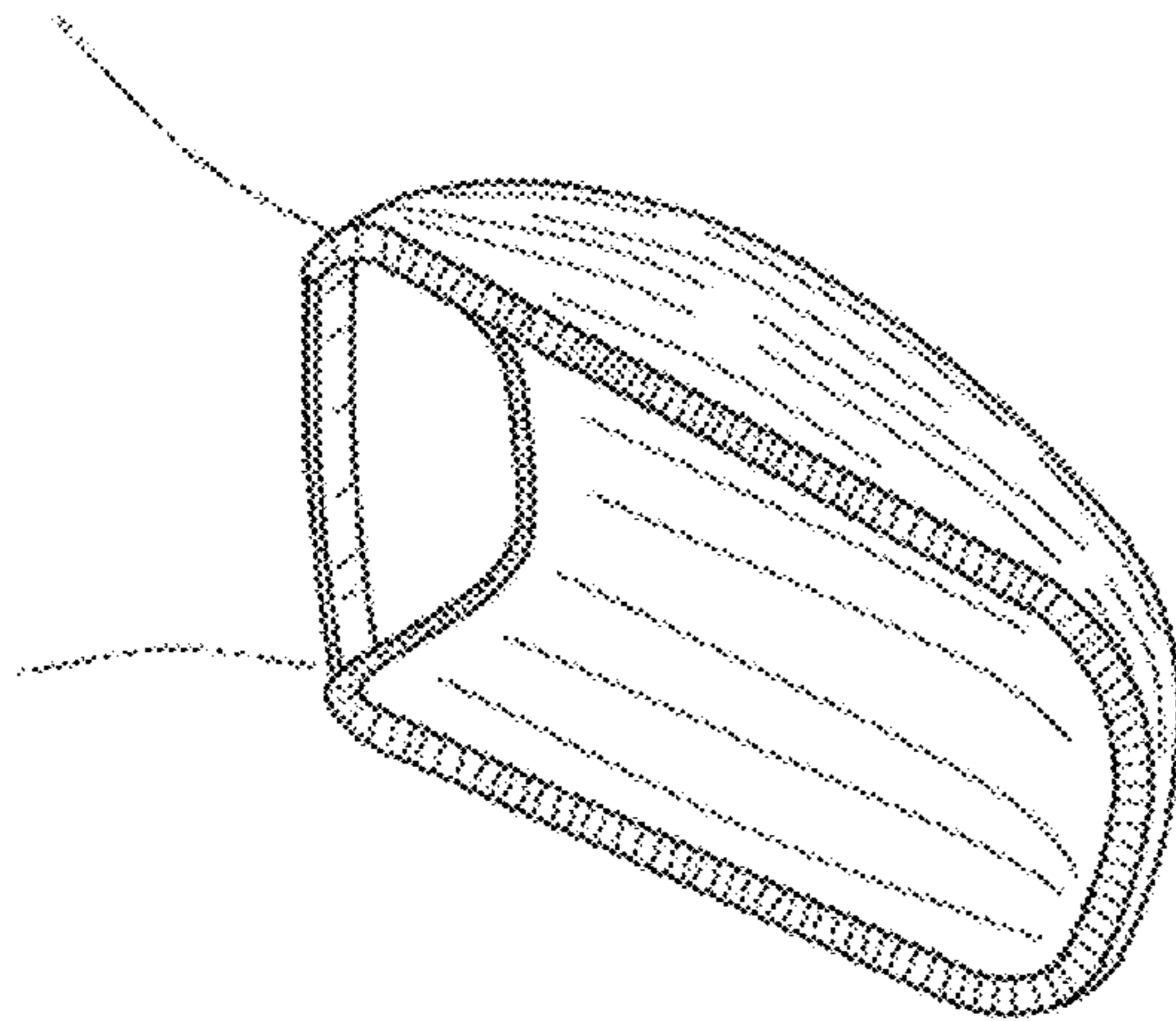
I claim the ornamental design for a decorative accessory sleeve for an automotive mirror, as shown and described.

DESCRIPTION

FIG. 1 is a perspective view of a decorative accessory sleeve for an automotive mirror installed on an automotive mirror; FIG. 2 is a front view of FIG. 1; FIG. 3 is a rear view of FIG. 1; FIG. 4 is a right side view of FIG. 1; FIG. 5 is a left side view of FIG. 1; FIG. 6 is a top view of FIG. 1; and, FIG. 7 is a bottom view of FIG. 1.

In drawing FIG. 1 the broken lines depict portions of an automotive mirror and form no part of the claimed design.

1 Claim, 2 Drawing Sheets



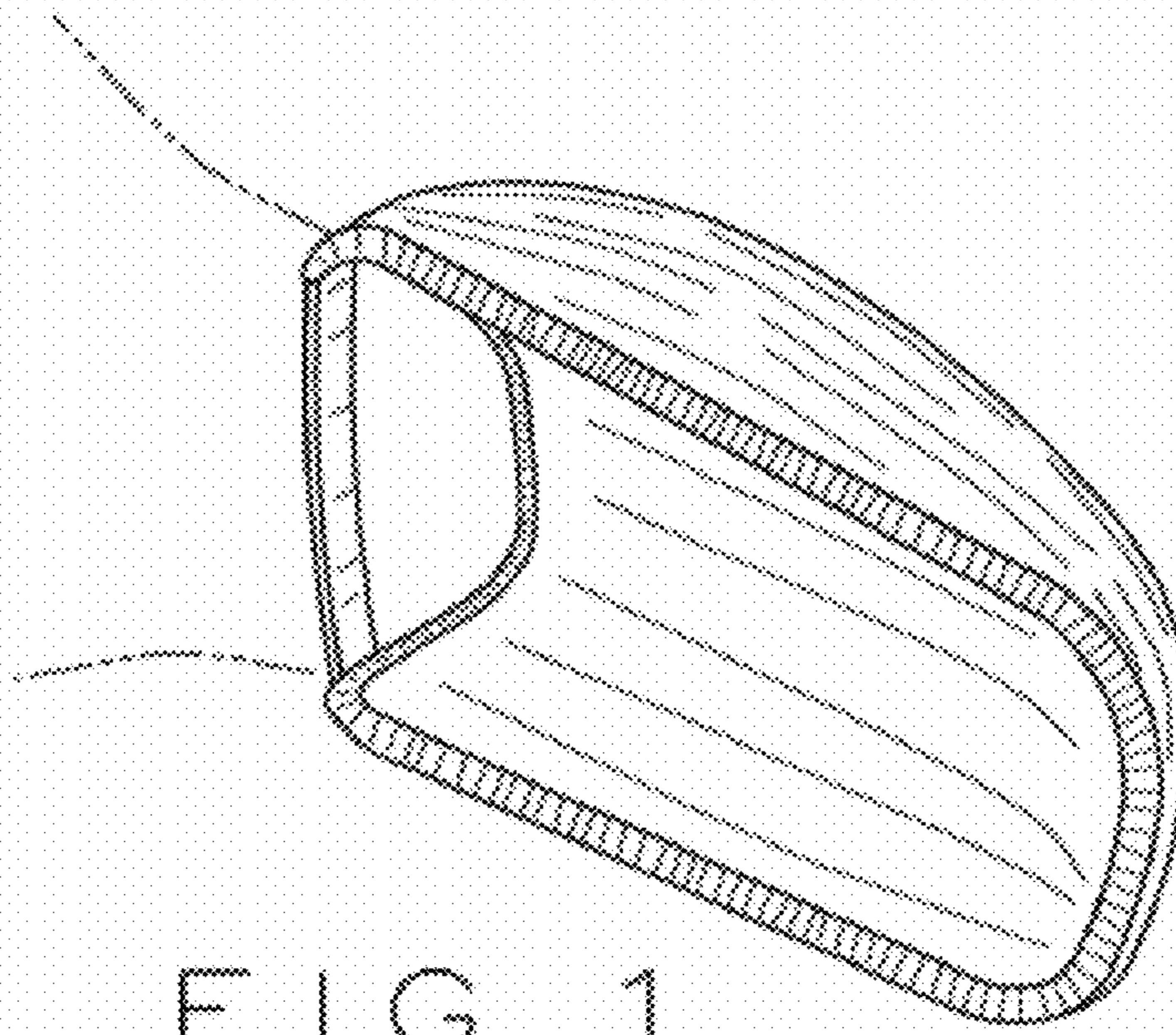


FIG. 1

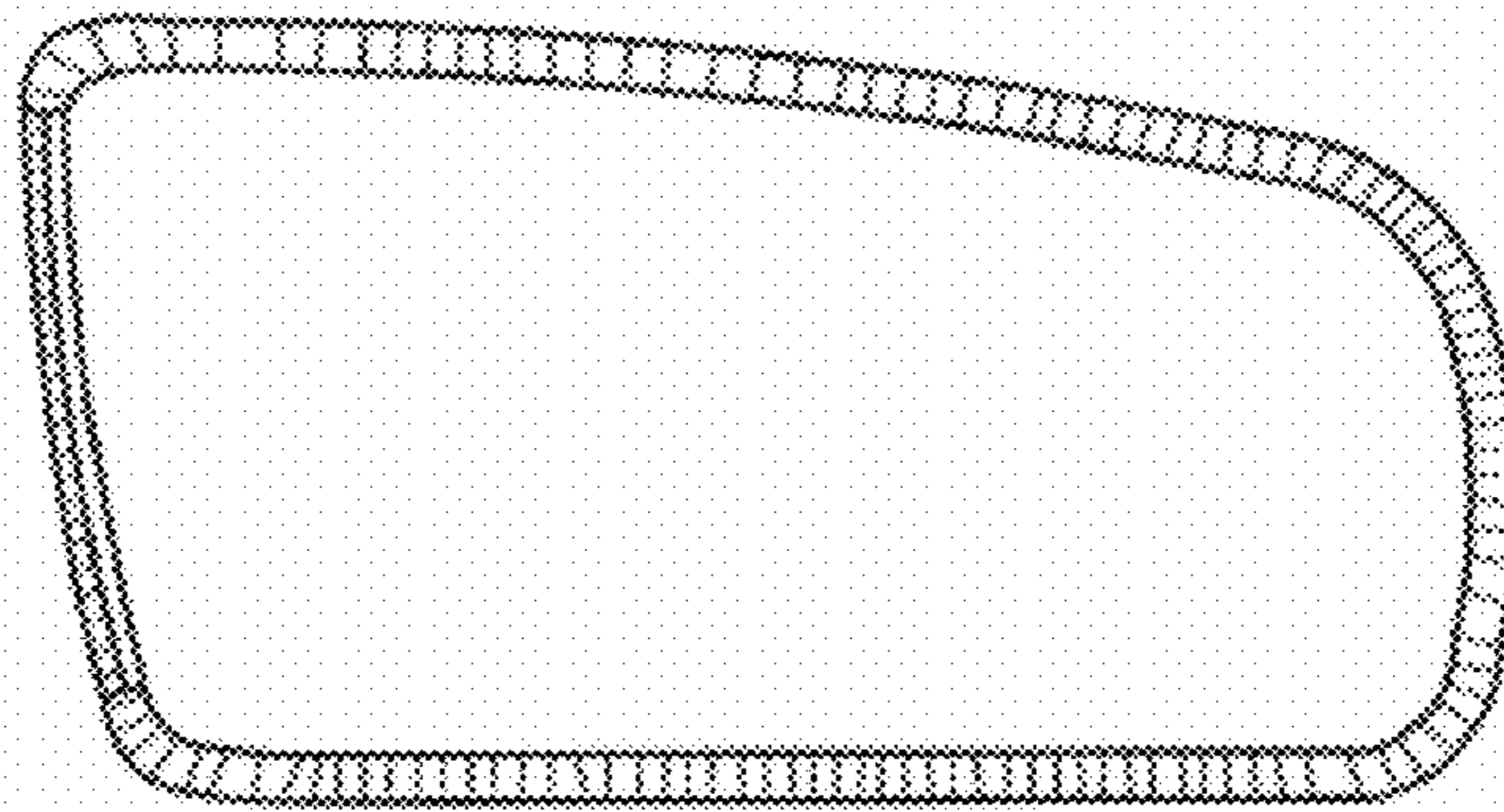


FIG. 2

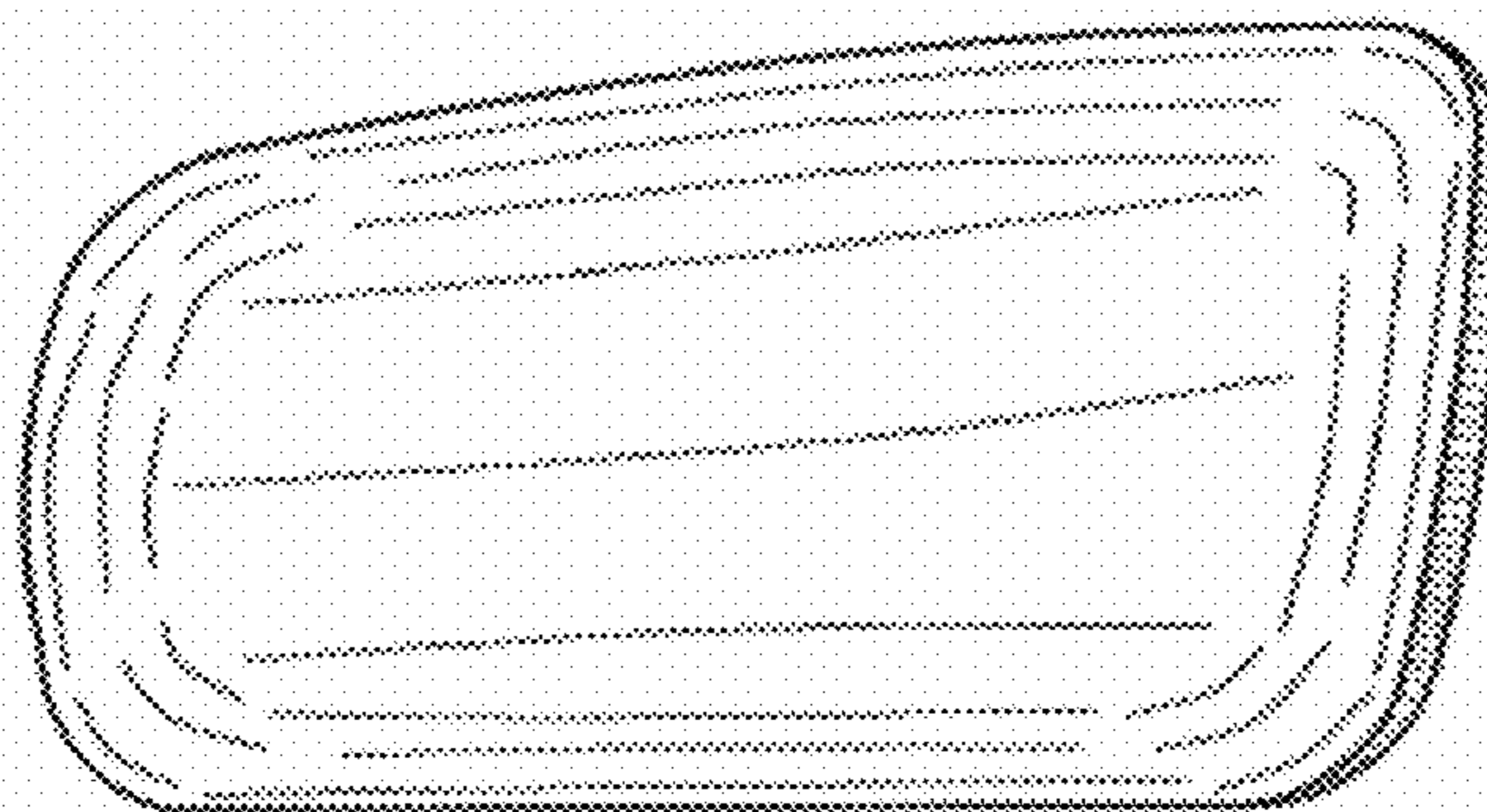


FIG. 3

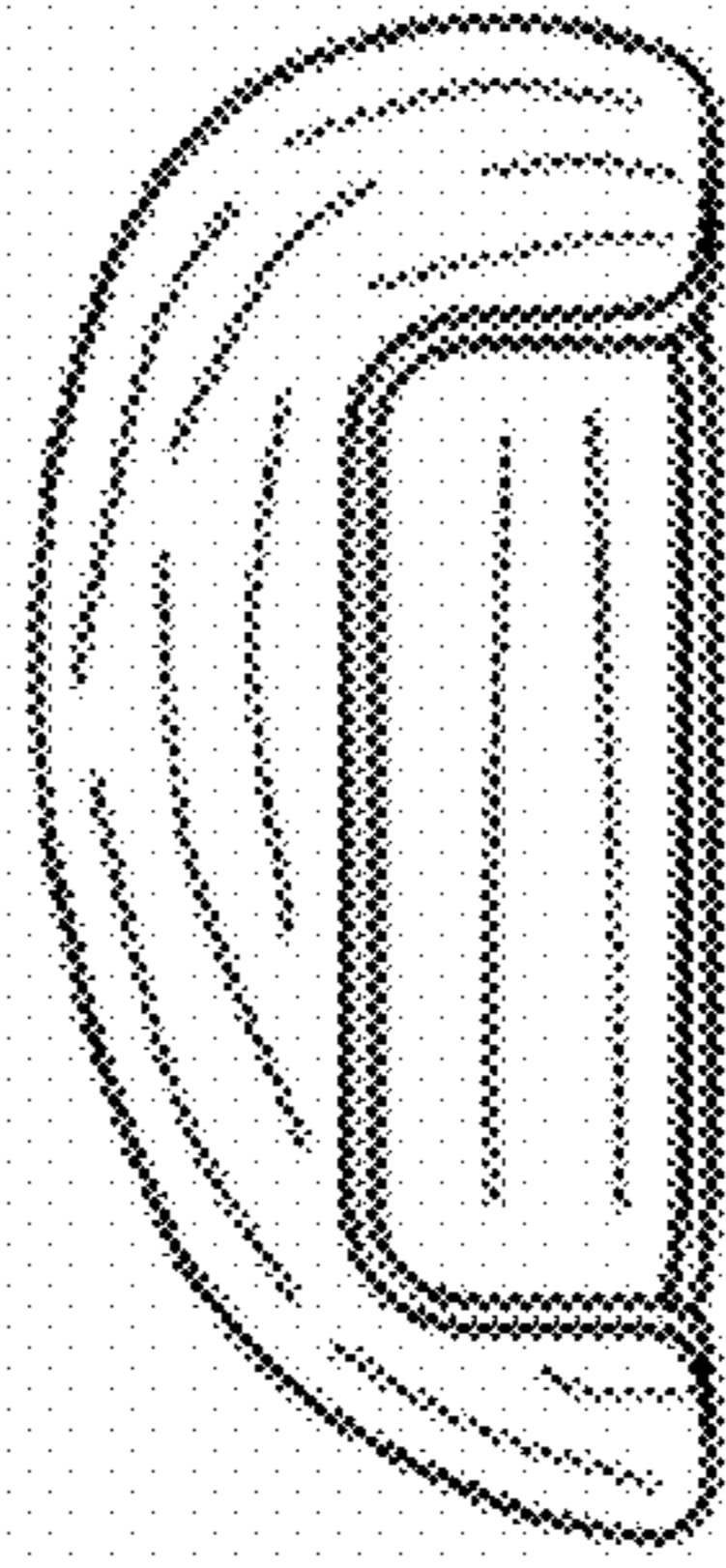


FIG. 4

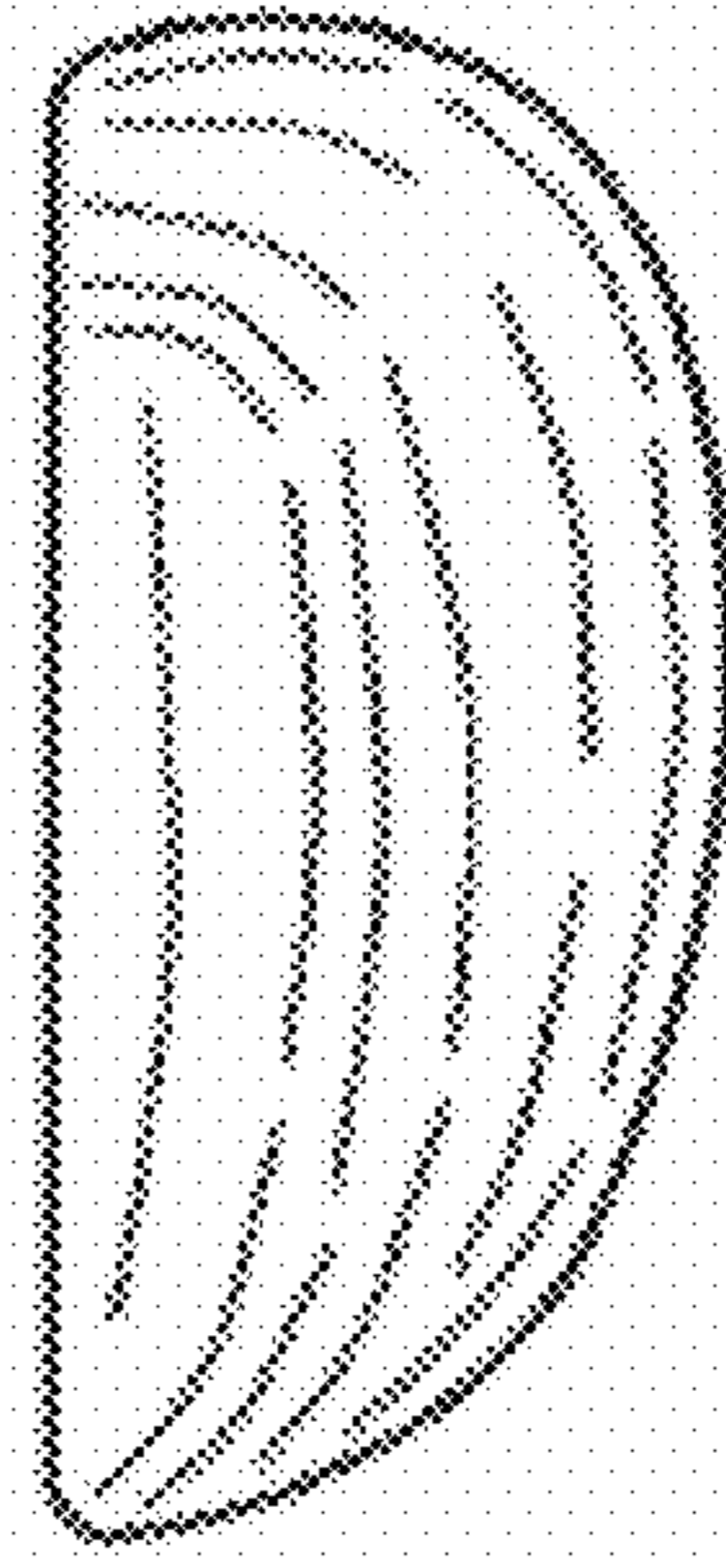


FIG. 5

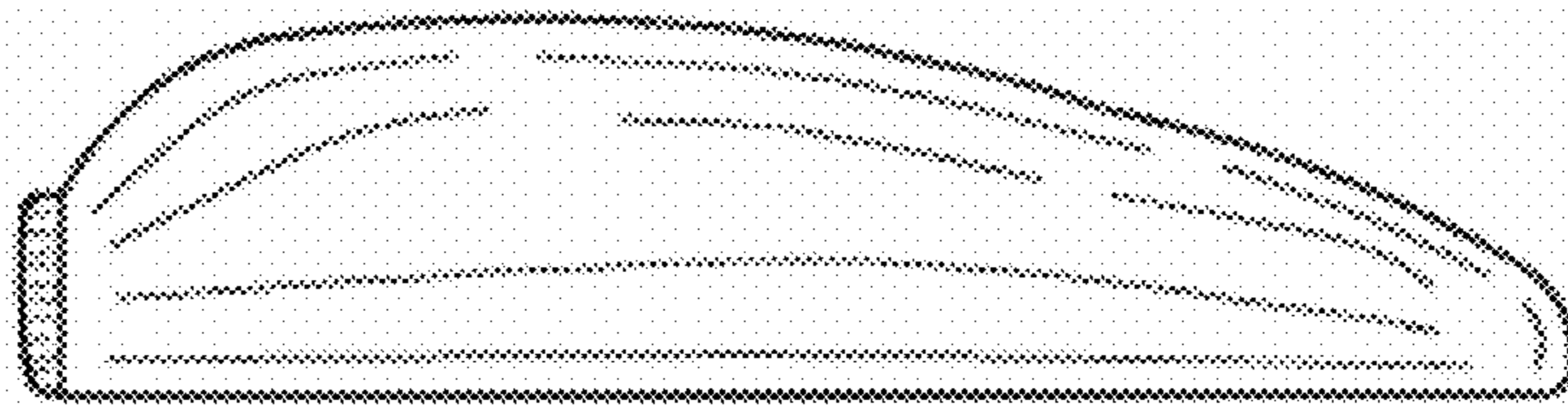


FIG. 6

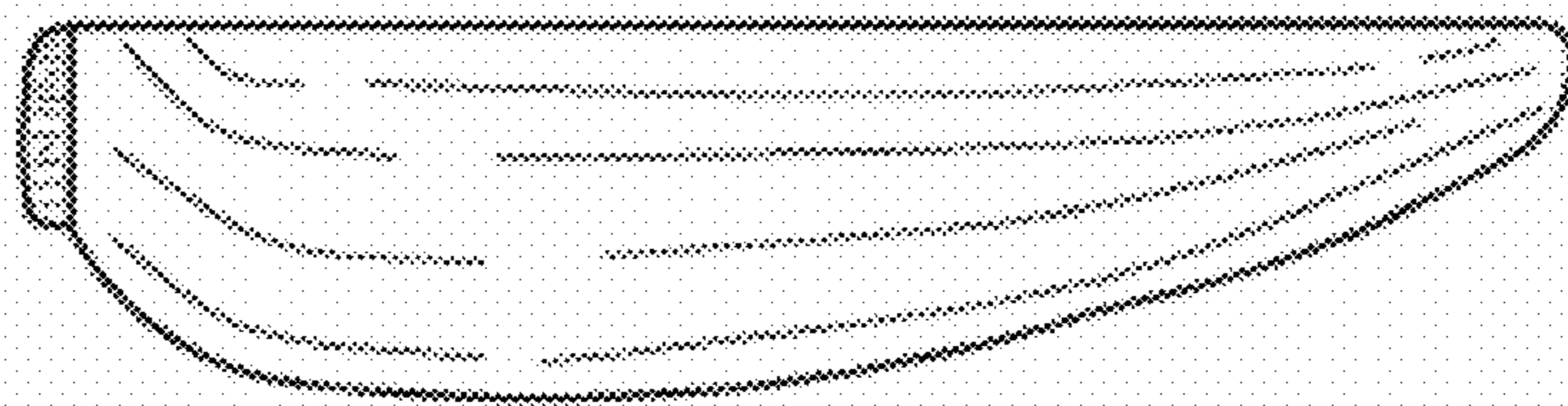


FIG. 7