

US00D672303S

(12) **United States Design Patent**  
**Roura**

(10) **Patent No.:** **US D672,303 S**

(45) **Date of Patent:** **\*\* Dec. 11, 2012**

(54) **VEHICLE WHEEL RIM**

(75) **Inventor:** **Cesar Muntada Roura**, Pfaffenhofen an der Ilm (DE)

(73) **Assignee:** **Audi AG**, Ingolstadt (DE)

(\*\*) **Term:** **14 Years**

(21) **Appl. No.:** **29/419,838**

(22) **Filed:** **May 2, 2012**

(30) **Foreign Application Priority Data**

Nov. 2, 2011 (EM) ..... 001 941 444-0004

(51) **LOC (9) Cl.** ..... **12-16**

(52) **U.S. Cl.** ..... **D12/209**

(58) **Field of Classification Search** ..... D12/204-213;  
301/37.101, 64.101, 65, 64.201

See application file for complete search history.

(56) **References Cited**

**U.S. PATENT DOCUMENTS**

D371,100 S *	6/1996	Hatter .....	D12/209
D409,546 S *	5/1999	Stark .....	D12/209
D428,377 S *	7/2000	Kubosaki et al. ....	D12/209
D446,761 S *	8/2001	Kulla .....	D12/209
D451,062 S *	11/2001	Yoshida .....	D12/209
D461,153 S *	8/2002	Koyama .....	D12/209

D472,509 S *	4/2003	Laengerer .....	D12/209
D499,058 S *	11/2004	Iwauchi et al. ....	D12/209
D504,096 S *	4/2005	Nakagawa et al. ....	D12/209
D514,494 S *	2/2006	Scheu .....	D12/209
D573,932 S *	7/2008	Laengerer .....	D12/209
D576,536 S *	9/2008	Aroney .....	D12/209
D584,208 S *	1/2009	Markefka .....	D12/209
D589,863 S *	4/2009	Huet .....	D12/209
D608,712 S *	1/2010	Pollmann .....	D12/209
D620,866 S *	8/2010	Blasi .....	D12/209
D626,905 S *	11/2010	Camacho .....	D12/209
D639,715 S *	6/2011	Furst et al. ....	D12/209
D648,255 S *	11/2011	Scheinutte .....	D12/209
D654,842 S *	2/2012	Blasi .....	D12/209

\* cited by examiner

*Primary Examiner* — Stacia Cadmus

(74) *Attorney, Agent, or Firm* — Lucas & Mercanti, LLP;  
Klaus P. Stoffel

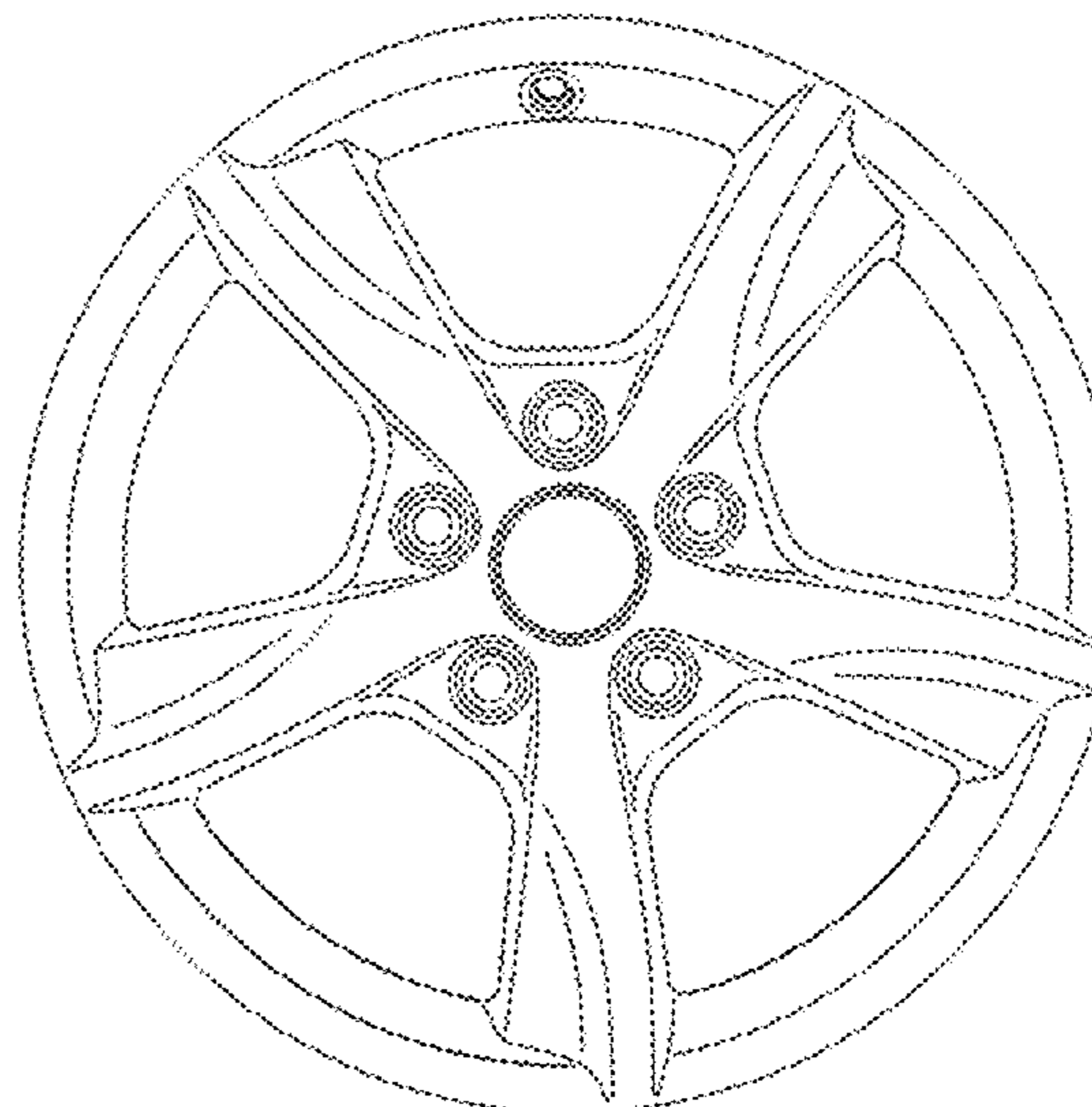
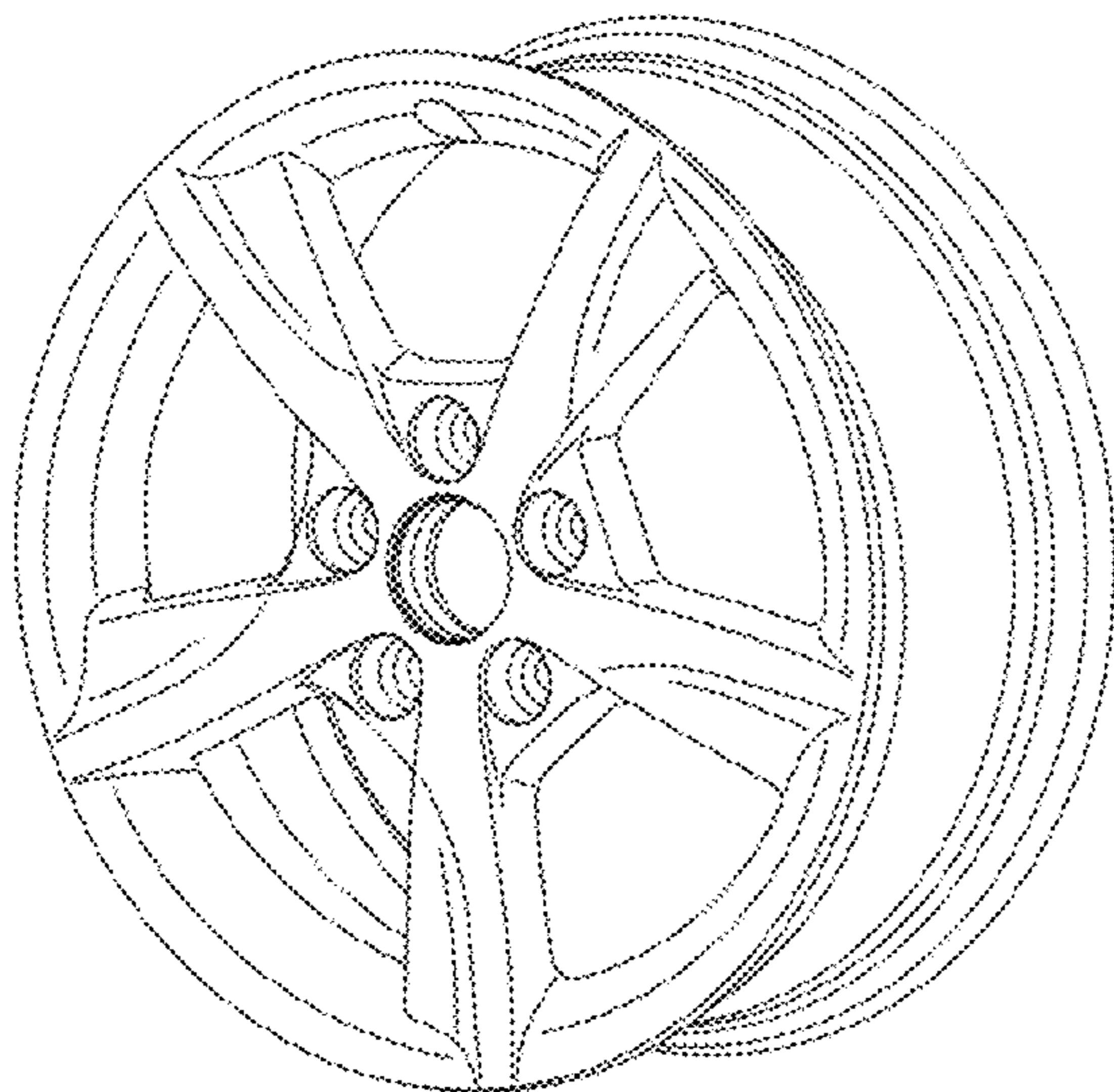
(57) **CLAIM**

The original design for a vehicle wheel rim, as shown and described.

**DESCRIPTION**

FIG. 1 is a front, side perspective view of the vehicle wheel rim of the present invention; and, FIG. 2 is a front view thereof.

**1 Claim, 2 Drawing Sheets**



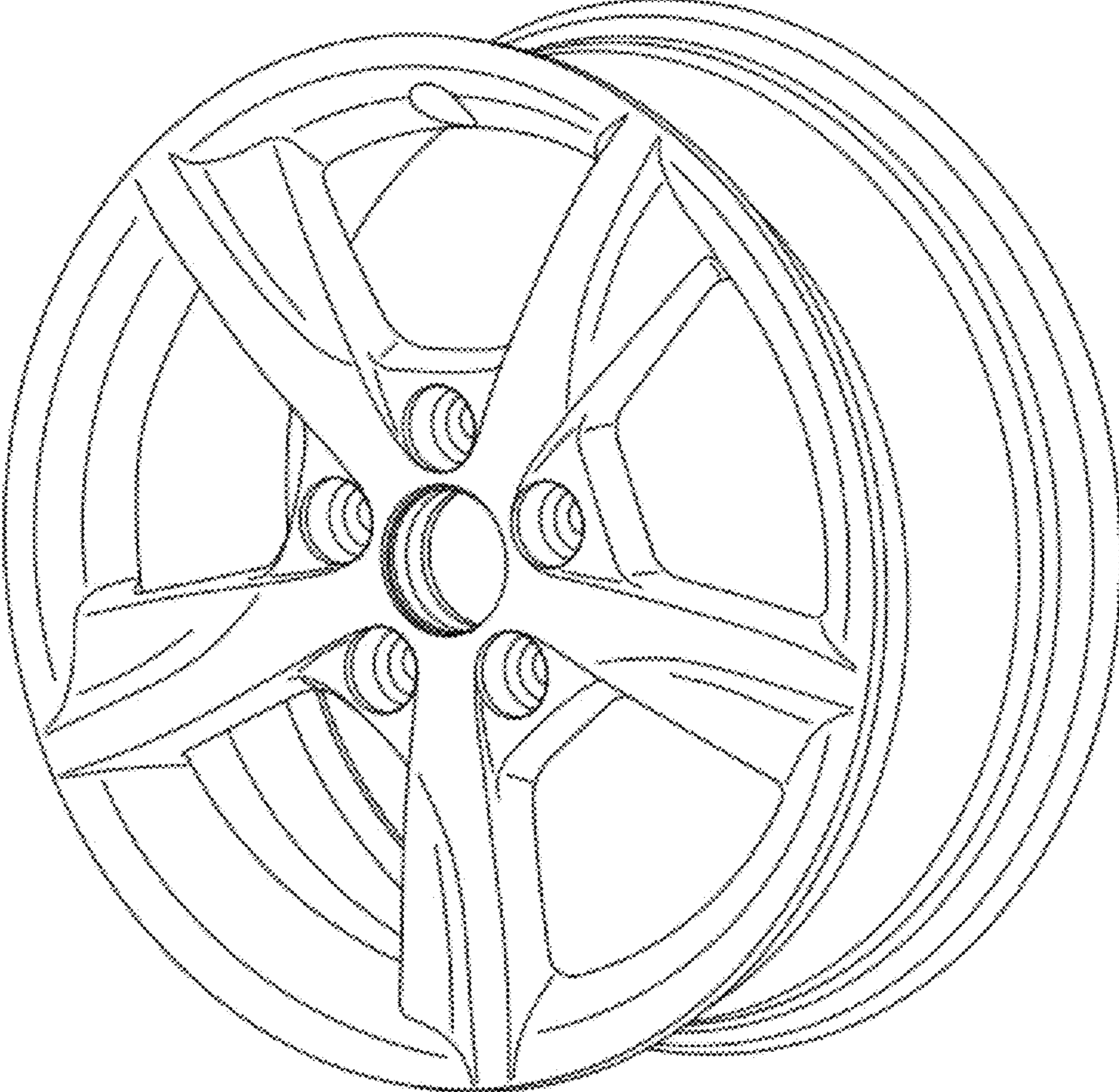


Fig. 1

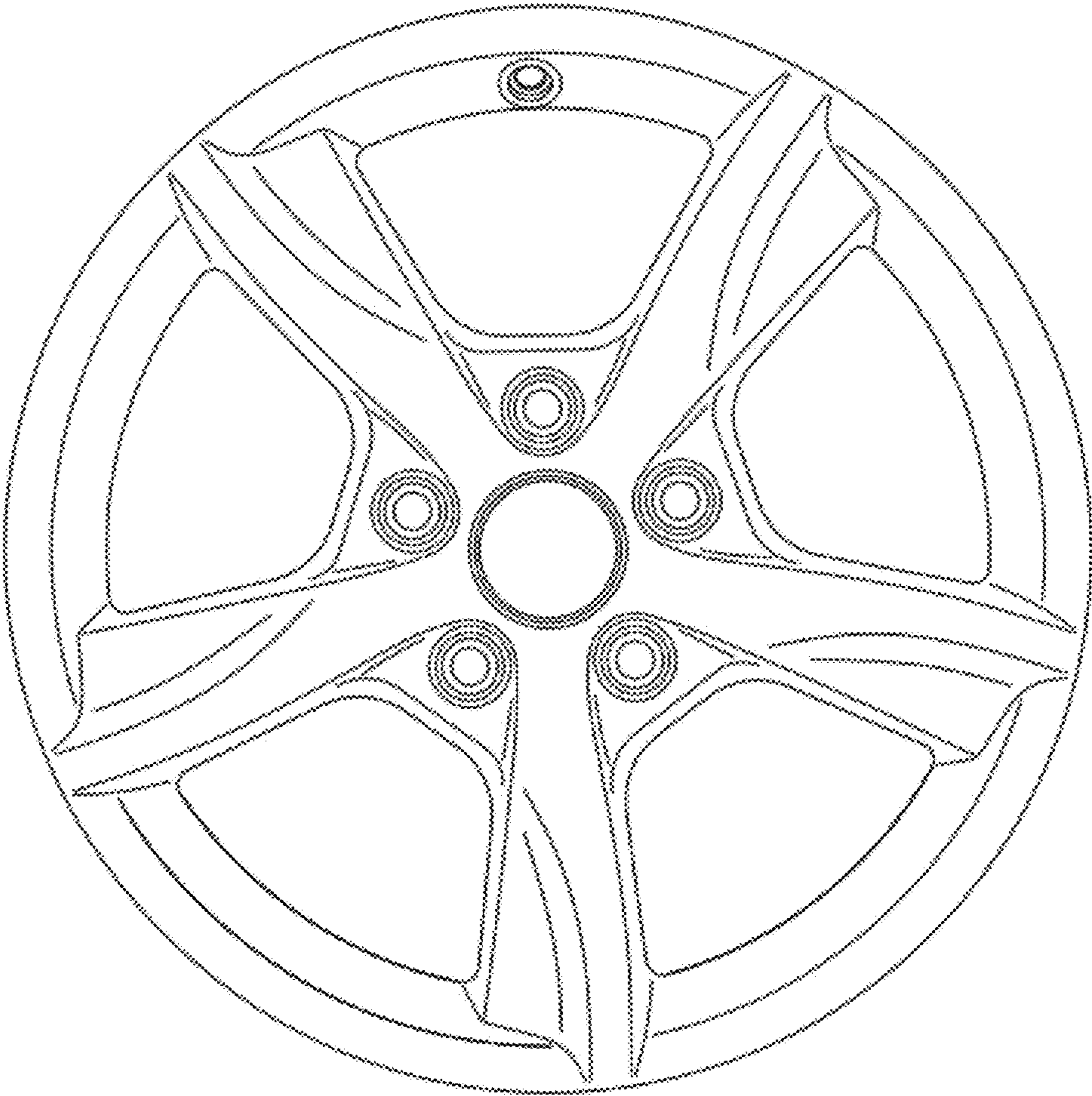


Fig. 2