



US00D672302S

(12) **United States Design Patent**
Curi et al.

(10) **Patent No.:** **US D672,302 S**
(45) **Date of Patent:** **** Dec. 11, 2012**

(54) **VEHICLE STEP FOR SLIDING INTO BRACKETS**

(75) Inventors: **Suzanna Curi**, Santa Ana, CA (US);
Joseph A. Curi, Santa Ana, CA (US);
Juan M. Orozco, Corona, CA (US)

(73) Assignee: **Aqua Performance, Inc.**, Corona, CA (US)

(**) Term: **14 Years**

(21) Appl. No.: **29/419,951**

(22) Filed: **May 3, 2012**

(51) **LOC (9) Cl.** **12-16**

(52) **U.S. Cl.** **D12/203**

(58) **Field of Classification Search** D12/203,
D12/162, 172; 224/520-521; 182/89-92,
182/150; 280/163-166, 770, 507; D25/68-69,
D25/62; 293/117; 296/75

See application file for complete search history.

(56) **References Cited**

U.S. PATENT DOCUMENTS

2,378,678	A *	6/1945	Anderson	182/150
D293,667	S *	1/1988	Weiler	D12/203
D324,019	S *	2/1992	Bailey	D12/203
5,152,244	A	10/1992	Jaramillo, Jr. et al.		
D349,879	S	8/1994	Jaramillo, Sr.		
5,458,080	A	10/1995	Jaramillo, Sr.		
D371,336	S *	7/1996	Wilson	D12/203
D376,784	S *	12/1996	Miller	D12/203

5,927,433	A	7/1999	Jaramillo, Sr.		
5,970,905	A	10/1999	Jaramillo, Sr.		
6,021,733	A	2/2000	Jaramillo, Sr.		
D520,429	S *	5/2006	Woodard	D12/203
D537,399	S *	2/2007	Riddle	D12/203
7,314,019	B1	1/2008	Curi et al.		
D585,350	S *	1/2009	Coletti	D12/203
7,503,276	B1	3/2009	Curi et al.		
D593,472	S *	6/2009	Coletti	D12/203
D662,867	S *	7/2012	Neal et al.	D12/203
2003/0094781	A1	5/2003	Jaramillo et al.		

* cited by examiner

Primary Examiner — Stacia Cadmus

(74) *Attorney, Agent, or Firm* — David L. Hoffman;
Hoffman Patent Group

(57) **CLAIM**

We claim the ornamental design for a vehicle step for sliding into brackets, as shown and described.

DESCRIPTION

FIG. 1. is a perspective view of my vehicle step for sliding into brackets;

FIG. 2. is a rear view thereof;

FIG. 3. is a front view thereof;

FIG. 4. is a left elevation view thereof;

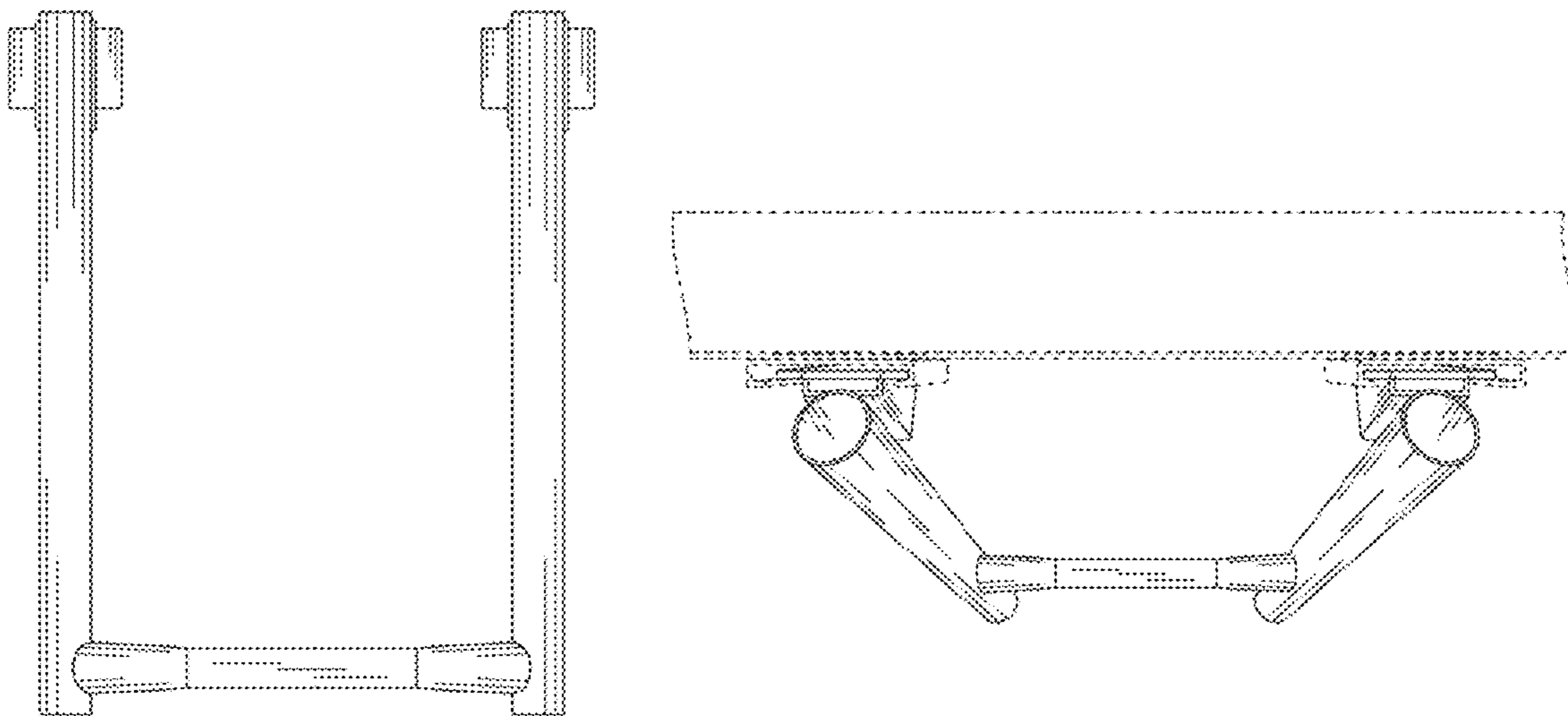
FIG. 5. is a right side elevation view thereof;

FIG. 6. is a top view thereof;

FIG. 7. is a bottom view thereof; and,

FIG. 8 is a perspective view thereof showing placement on a vehicle having brackets therein, the vehicle and brackets being shown in phantom (phantom not part of the invention).

1 Claim, 6 Drawing Sheets



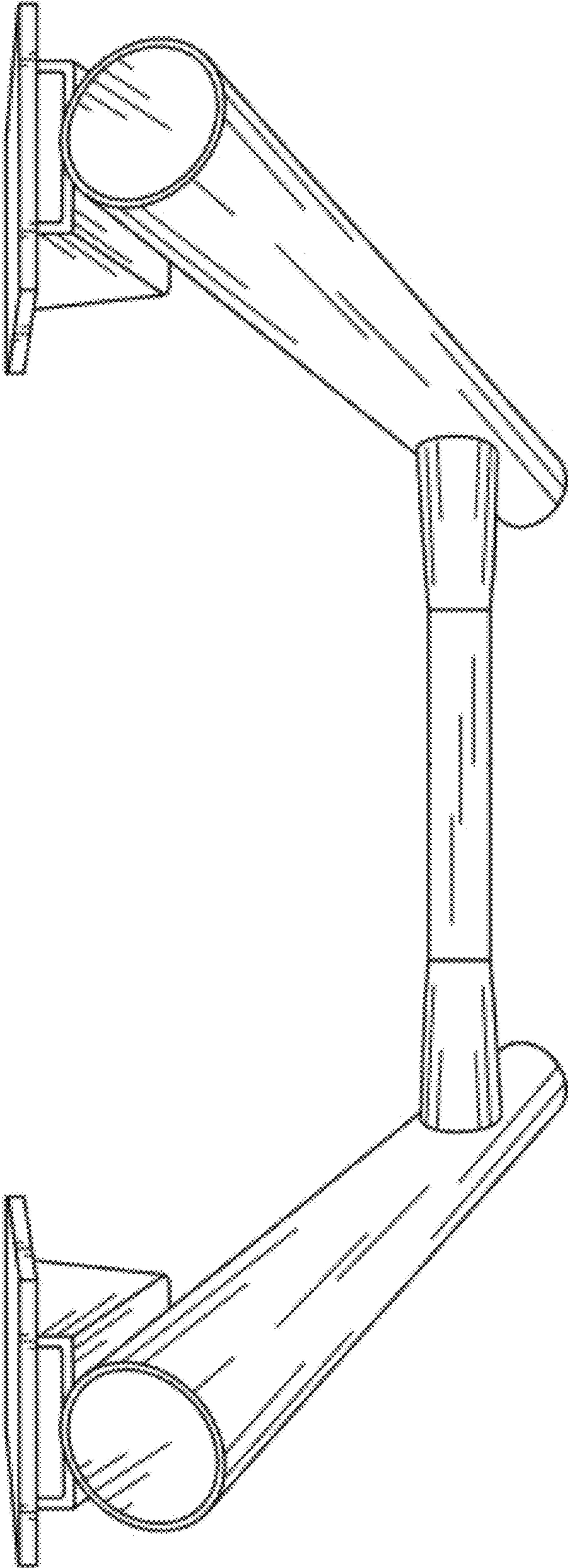


FIG. 1

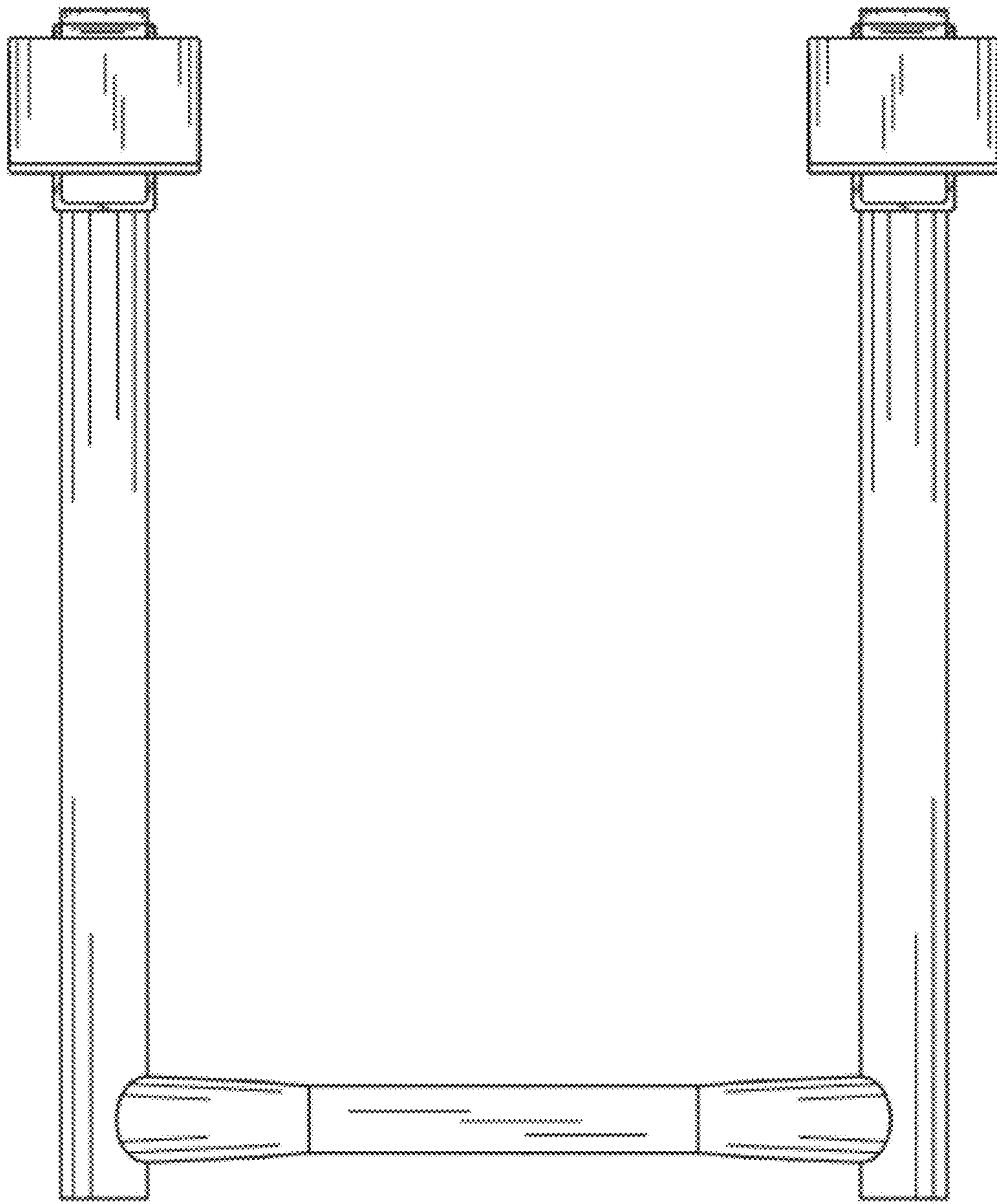


FIG. 2

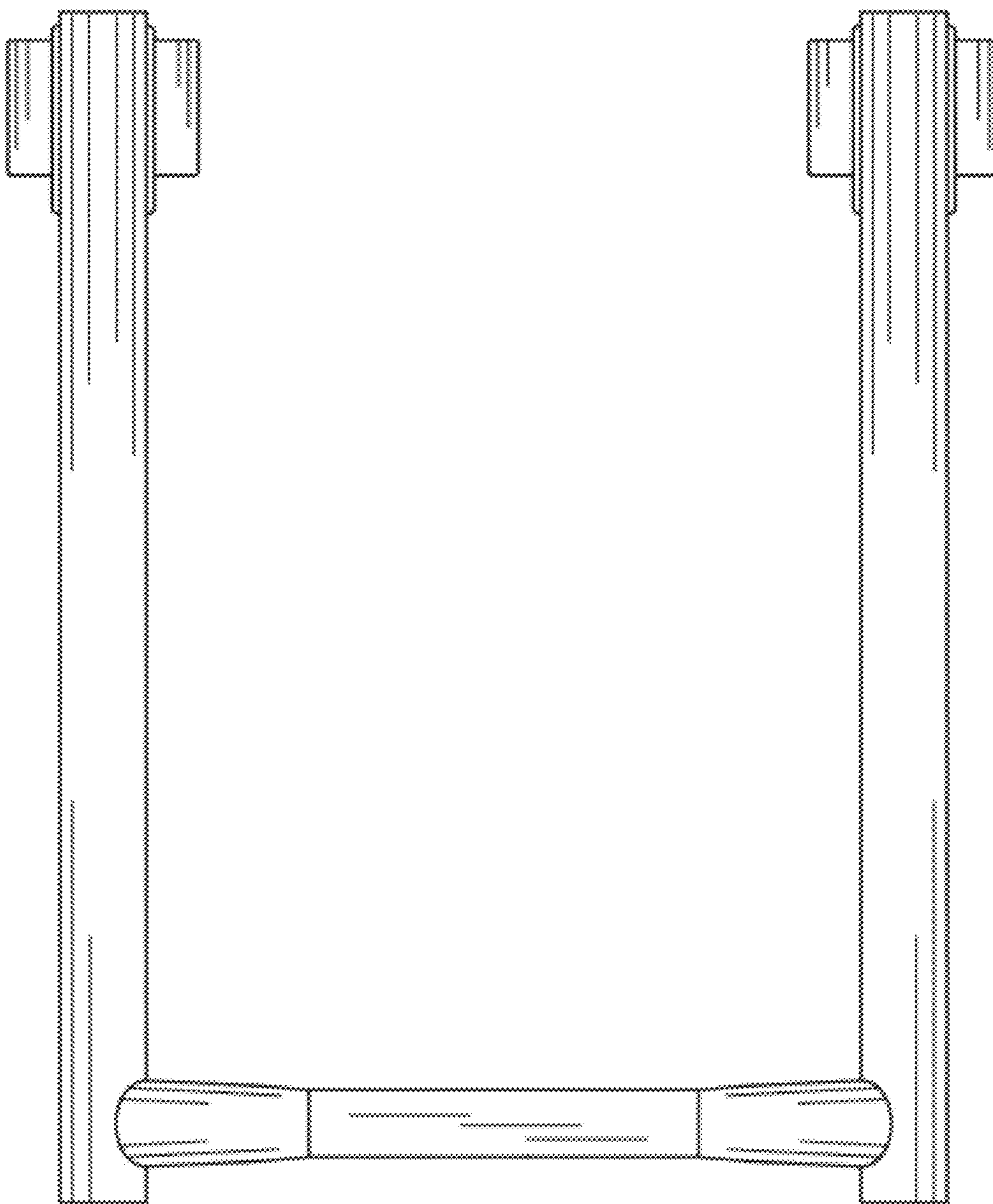


FIG. 3

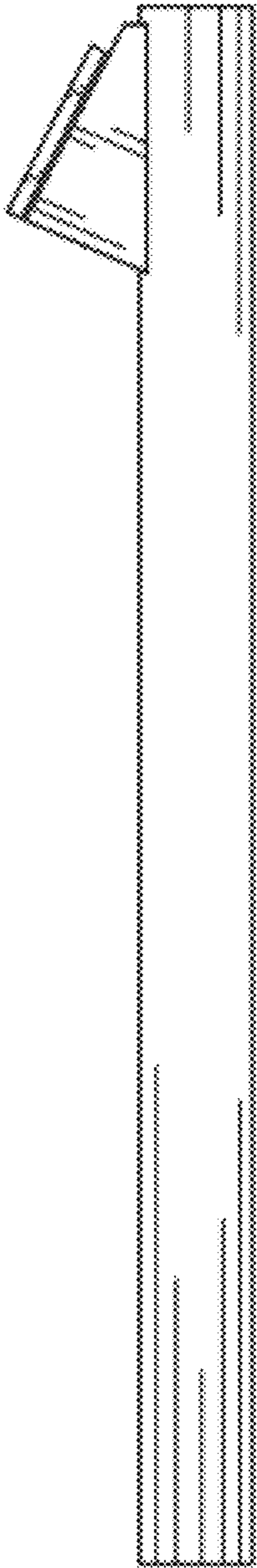


FIG. 4

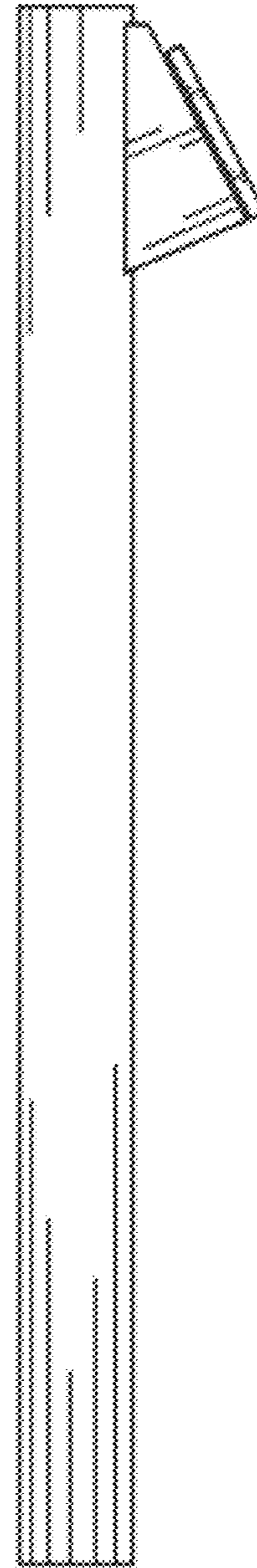


FIG. 5

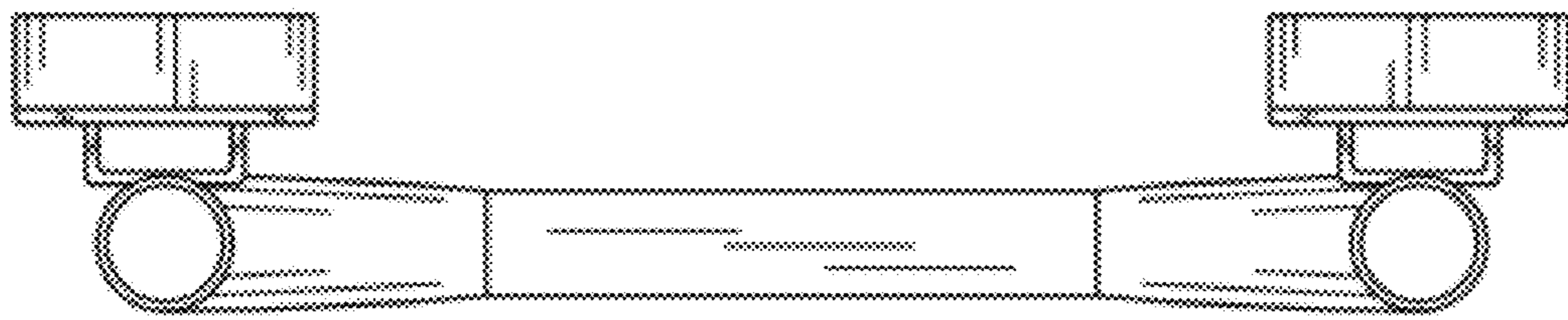


FIG. 6

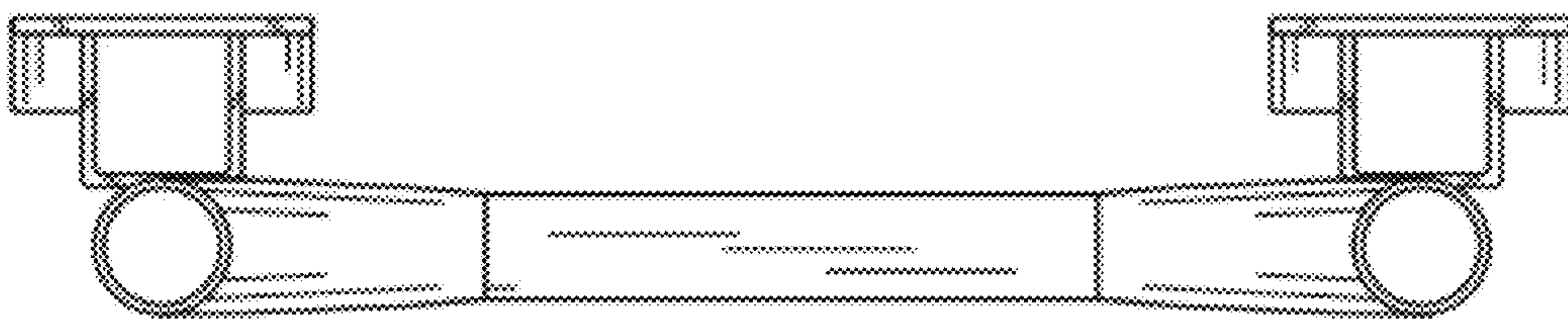


FIG. 7

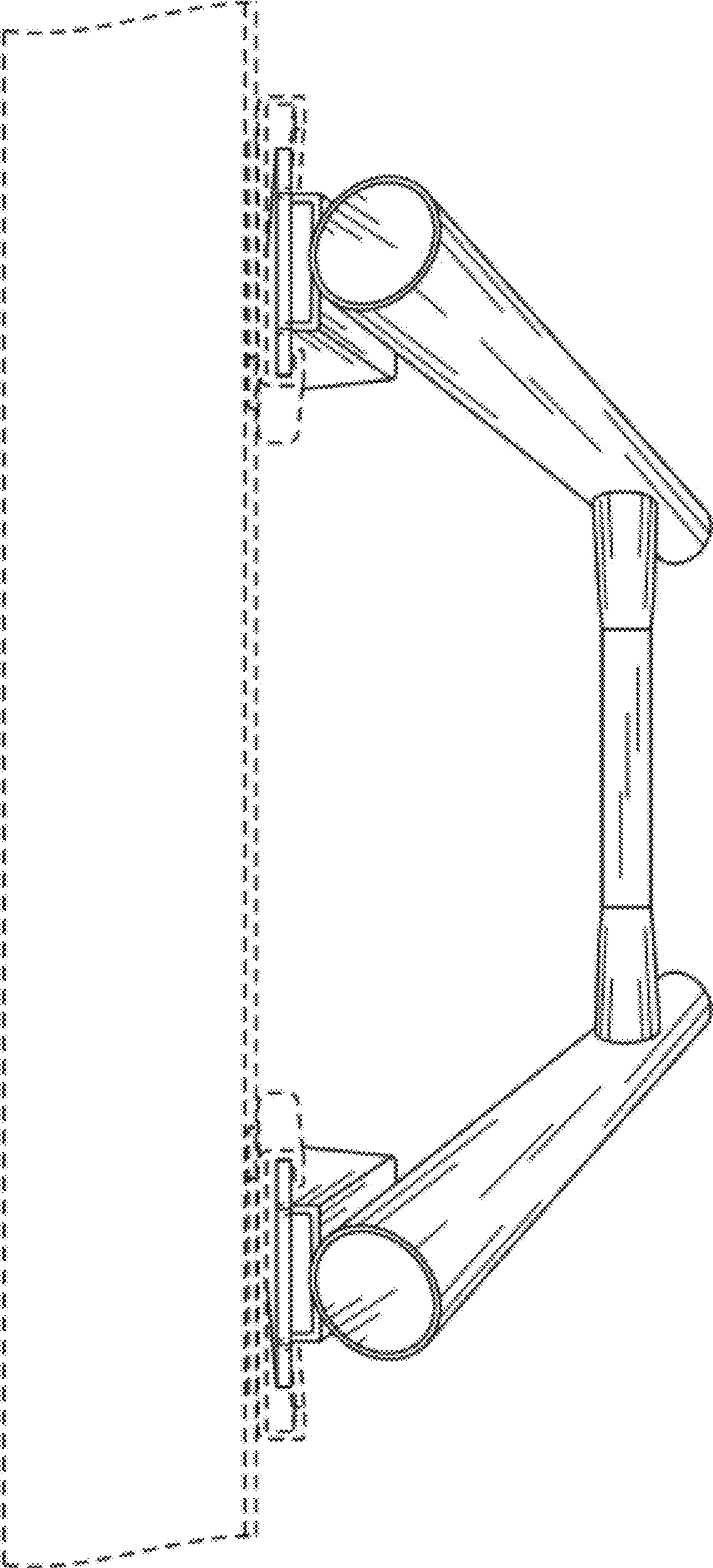


FIG. 8