



US00D672298S

(12) **United States Design Patent**
Tago et al.

(10) **Patent No.:** **US D672,298 S**
(45) **Date of Patent:** **** Dec. 11, 2012**

(54) **REAR DOOR TRIM PANEL FOR
AUTOMOBILE**

(75) Inventors: **Hideki Tago**, Kanagawa (JP); **Tomihisa Igarashi**, Kanagawa (JP); **Sadao Ooki**, Kanagawa (JP)

(73) Assignee: **Nissan Motor Co., Ltd.**, Yokohama (JP)

(**) Term: **14 Years**

(21) Appl. No.: **29/407,551**

(22) Filed: **Nov. 30, 2011**

(30) **Foreign Application Priority Data**

Jul. 13, 2011 (JP) 2011-016032

(51) **LOC (9) Cl.** **12-08**

(52) **U.S. Cl.** **D12/195**

(58) **Field of Classification Search** D12/195,
D12/193, 414, 190, 196; 180/190; 280/750-752;
296/190.01-191, 70, 193.08, 145, 153, 37.1-37.13,
296/149, 146.1; D15/17, 28; D10/46, 98,
D10/102-103; 49/501-502; D8/302-303
See application file for complete search history.

(56) **References Cited**

U.S. PATENT DOCUMENTS

D382,528 S *	8/1997	Hellhake et al.	D12/195
D497,337 S *	10/2004	Takagi et al.	D12/195
D519,896 S *	5/2006	Sudo	D12/195
D529,850 S *	10/2006	Yu et al.	D12/195
D531,101 S *	10/2006	Yu et al.	D12/195
D533,821 S *	12/2006	Tamagawa et al.	D12/195
D534,470 S *	1/2007	Tsuchiya et al.	D12/195
D534,849 S *	1/2007	Tamagawa et al.	D12/195
D536,650 S *	2/2007	Young et al.	D12/195
D577,645 S *	9/2008	Wyszogrod et al.	D12/195

D577,646 S *	9/2008	Wyszogrod et al.	D12/195
D607,802 S *	1/2010	Collins et al.	D12/195
D615,017 S *	5/2010	Smith	D12/195

(Continued)

Primary Examiner — Katrina A Betton

(74) *Attorney, Agent, or Firm* — Global IP Counselors, LLP

(57) **CLAIM**

The ornamental design for a rear door trim panel for an automobile, as shown and described.

DESCRIPTION

FIG. 1 is a front elevational view of a rear door trim panel for an automobile in accordance with our new design;

FIG. 2 is a top plan view of the rear door trim panel in accordance with our new design of FIG. 1;

FIG. 3 is a bottom plan view of the rear door trim panel in accordance with our new design of FIGS. 1 to 2;

FIG. 4 is a left side elevational view of the rear door trim panel in accordance with our new design of FIGS. 1 to 3;

FIG. 5 is a right side elevational view of the rear door trim panel in accordance with our new design of FIGS. 1 to 4;

FIG. 6 is a front, left and bottom side perspective view of the rear door trim panel in accordance with our new design of FIGS. 1 to 5;

FIG. 7 is a front, right and top side perspective view of the rear door trim panel in accordance with our new design of FIGS. 1 to 5; and,

FIG. 8 is a cross sectional view of the rear door trim panel in accordance with our new design as seen along section line 8-8' of FIG. 1.

The rear view of the rear door trim panel forms no part of the claimed design.

The cross sectional view of FIG. 8 is provided to clarify the exact contour or configuration of the exterior surface of the rear door trim panel, and no attempt is made to illustrate features of internal construction.

1 Claim, 8 Drawing Sheets



US D672,298 S

Page 2

U.S. PATENT DOCUMENTS

D616,348 S *	5/2010	Rosenbohm	D12/195	
D633,022 S *	2/2011	Hwang et al.	D12/195	* cited by examiner
				D633,023 S * 2/2011 Hwang et al. D12/195

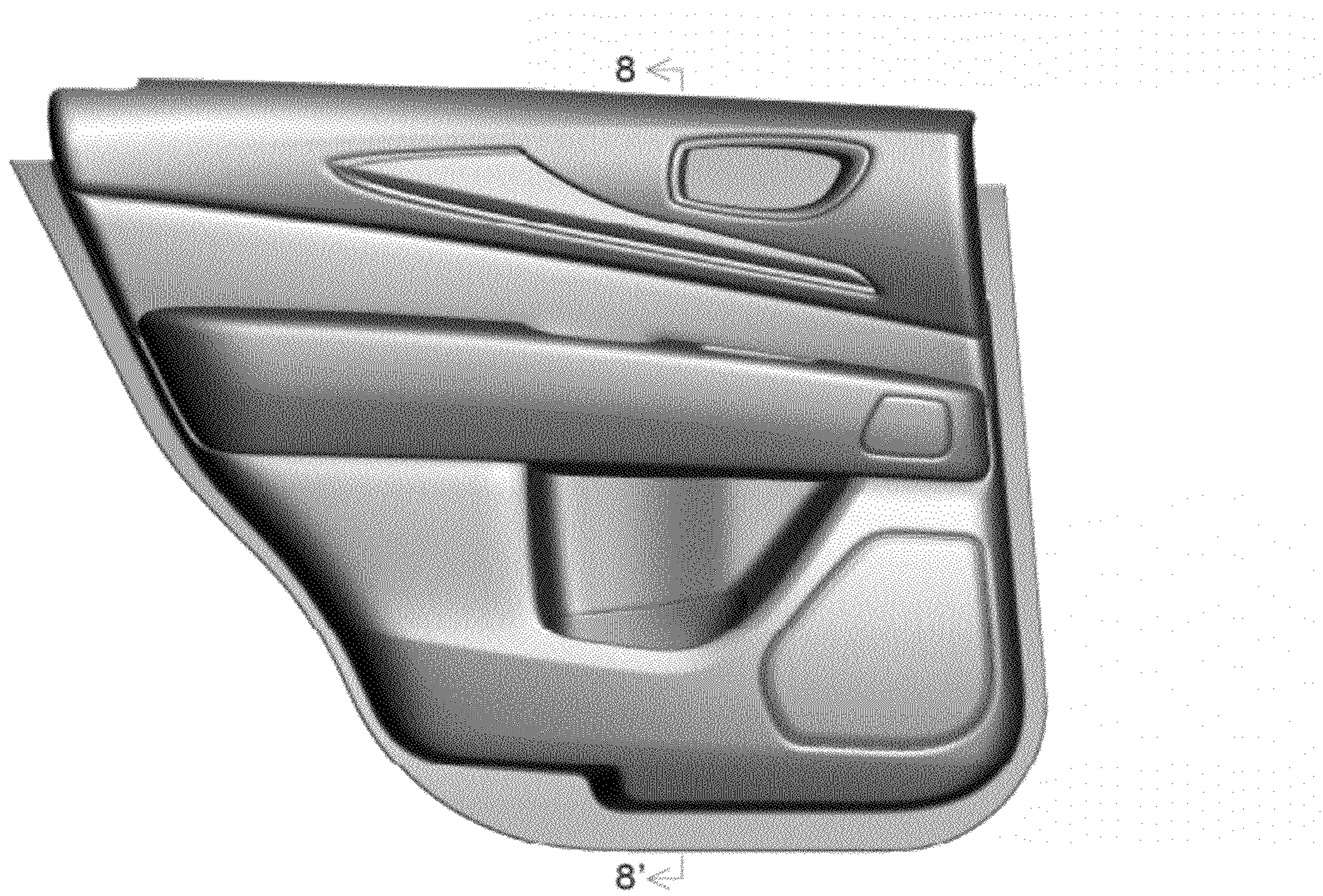


FIG. 1

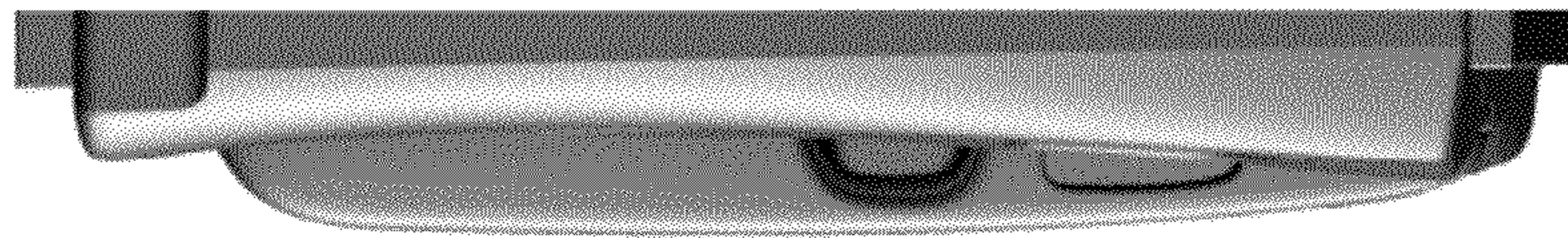


FIG. 2

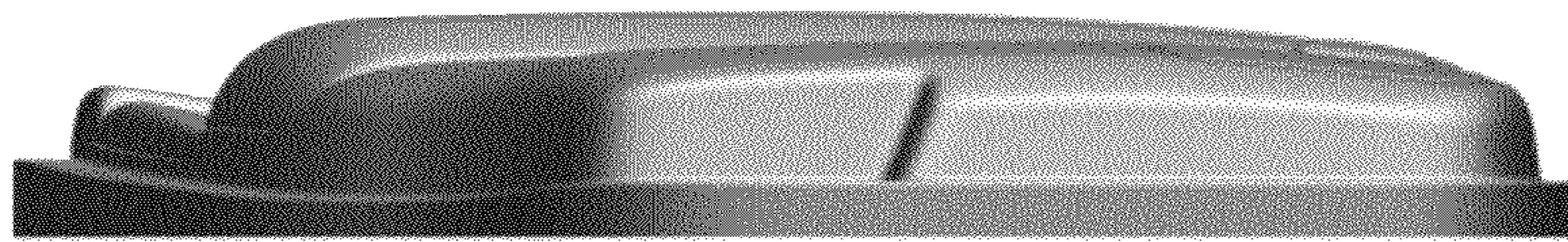


FIG. 3

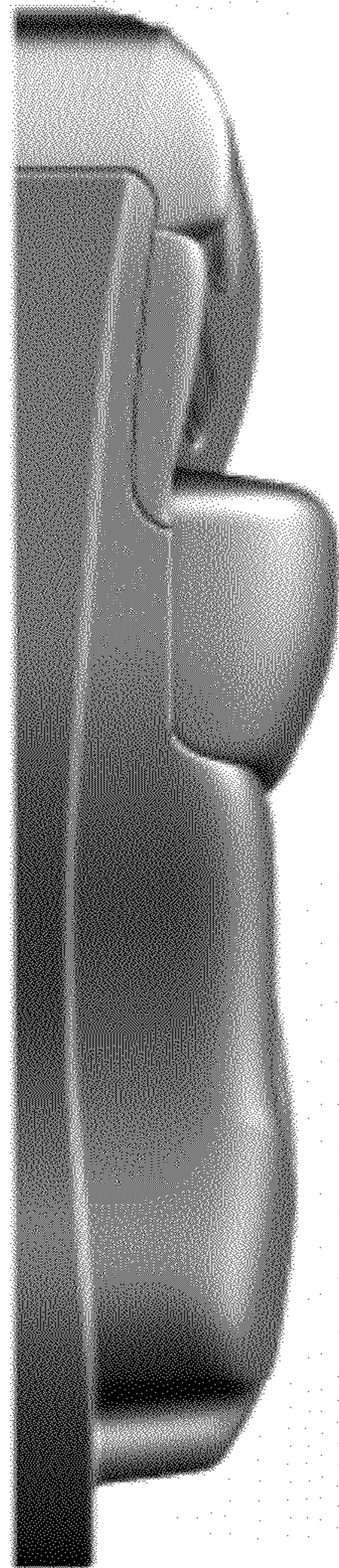


FIG. 4

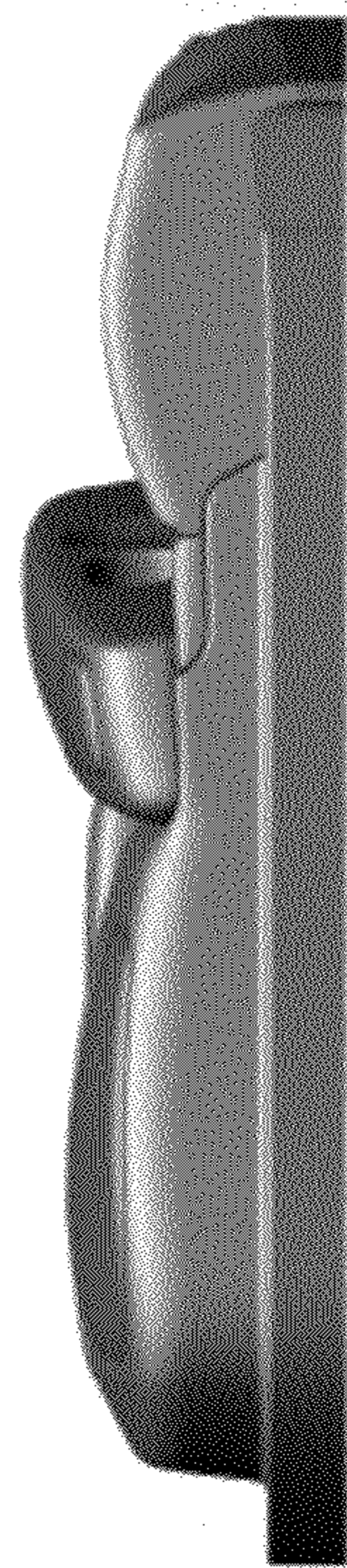


FIG. 5



FIG. 6



FIG. 7

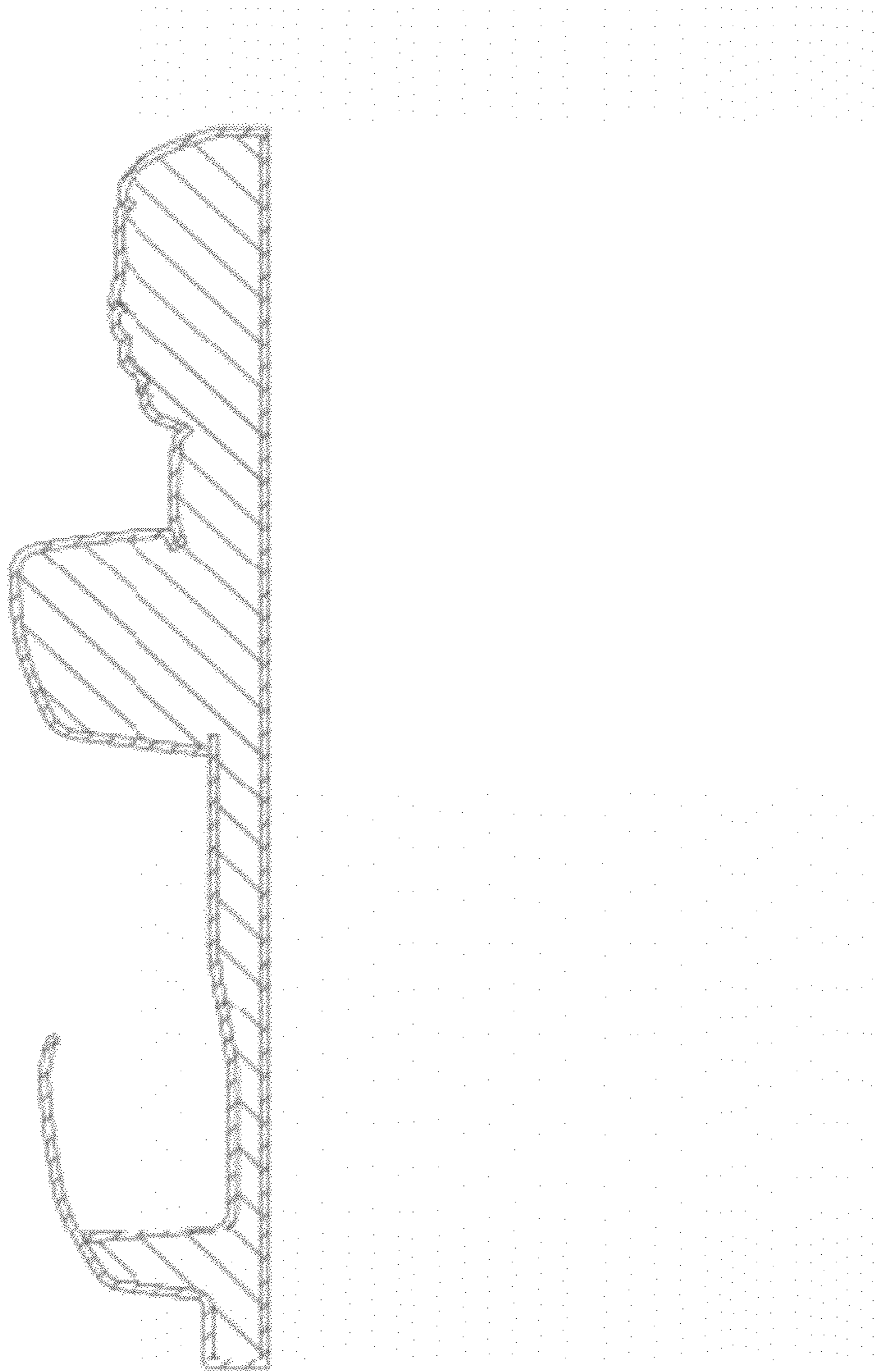


FIG. 8