



US00D672297S

(12) **United States Design Patent**
Dong

(10) **Patent No.:** **US D672,297 S**
(45) **Date of Patent:** **** Dec. 11, 2012**

(54) **LICENSE PLATE FRAME WITH CAMERA**

(76) Inventor: **Hong Dong**, Diamond Bar, CA (US)

(**) Term: **14 Years**

(21) Appl. No.: **29/406,793**

(22) Filed: **Nov. 18, 2011**

(51) **LOC (9) Cl.** **12-16**

(52) **U.S. Cl.** **D12/193**

(58) **Field of Classification Search** D12/193;
D6/300-302, 310-314; 40/200-204, 207-214;
D20/13; 348/148, 373

See application file for complete search history.

(56) **References Cited**

U.S. PATENT DOCUMENTS

D496,312	S	*	9/2004	Sybilrud et al.	D12/193
D537,765	S	*	3/2007	Porter	D12/193
D578,049	S	*	10/2008	Son	D12/193
D596,545	S	*	7/2009	Son	D12/193
D644,973	S	*	9/2011	Miyawaki	D12/193
2005/0093684	A1	*	5/2005	Cunniën	40/204
2009/0128687	A1	*	5/2009	Woo	348/373

* cited by examiner

Primary Examiner — Stacia Cadmus

(74) *Attorney, Agent, or Firm* — Clement Cheng

(57) **CLAIM**

The ornamental design for a license plate frame with camera, as shown and described.

DESCRIPTION

FIG. 1 is a perspective view of the license plate frame with camera.

FIG. 2 is a bottom elevational view of the license plate frame with camera.

FIG. 3 is a top elevational view of the license plate frame with camera.

FIG. 4 is a right side view of the license plate frame with camera.

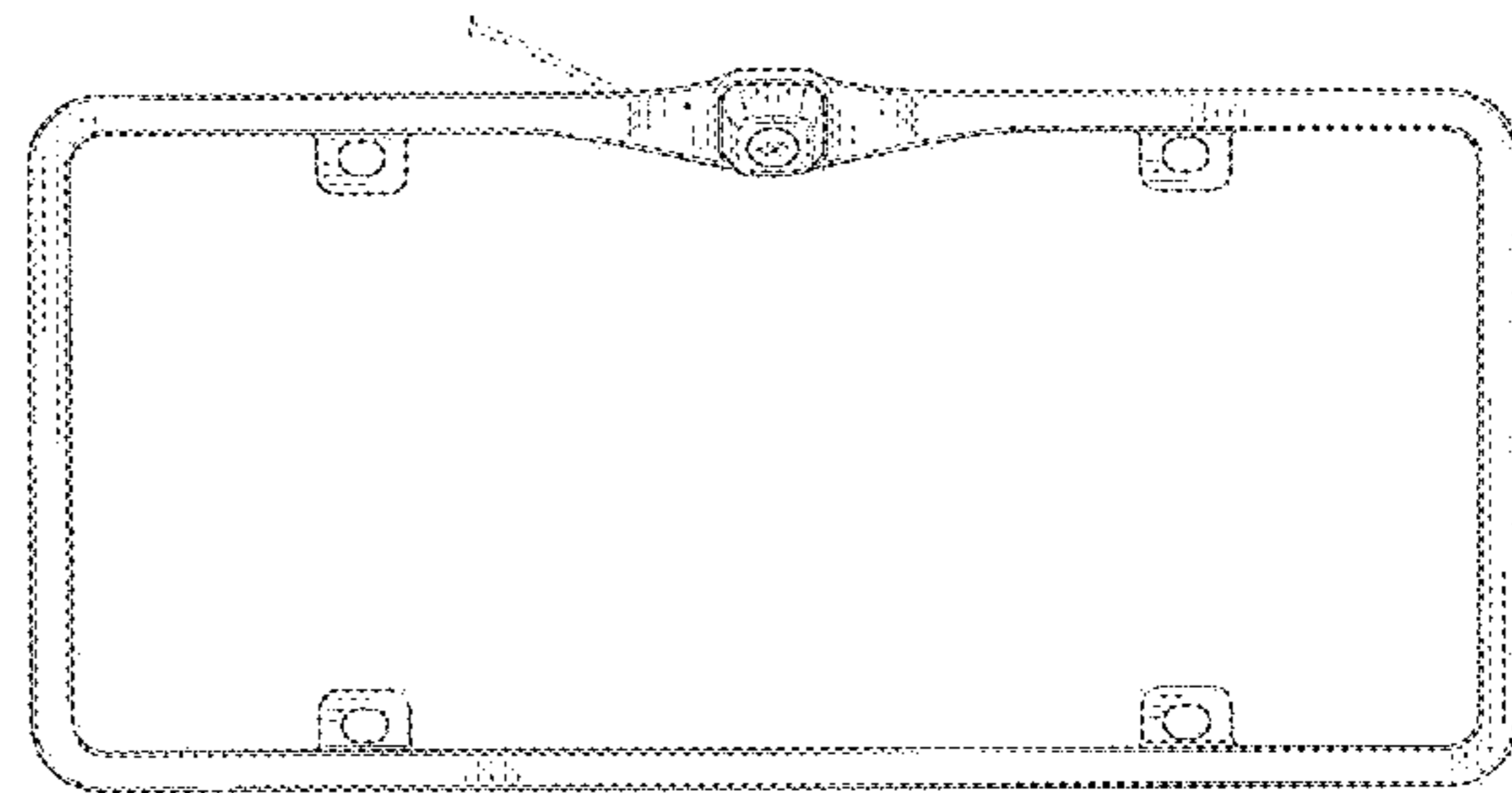
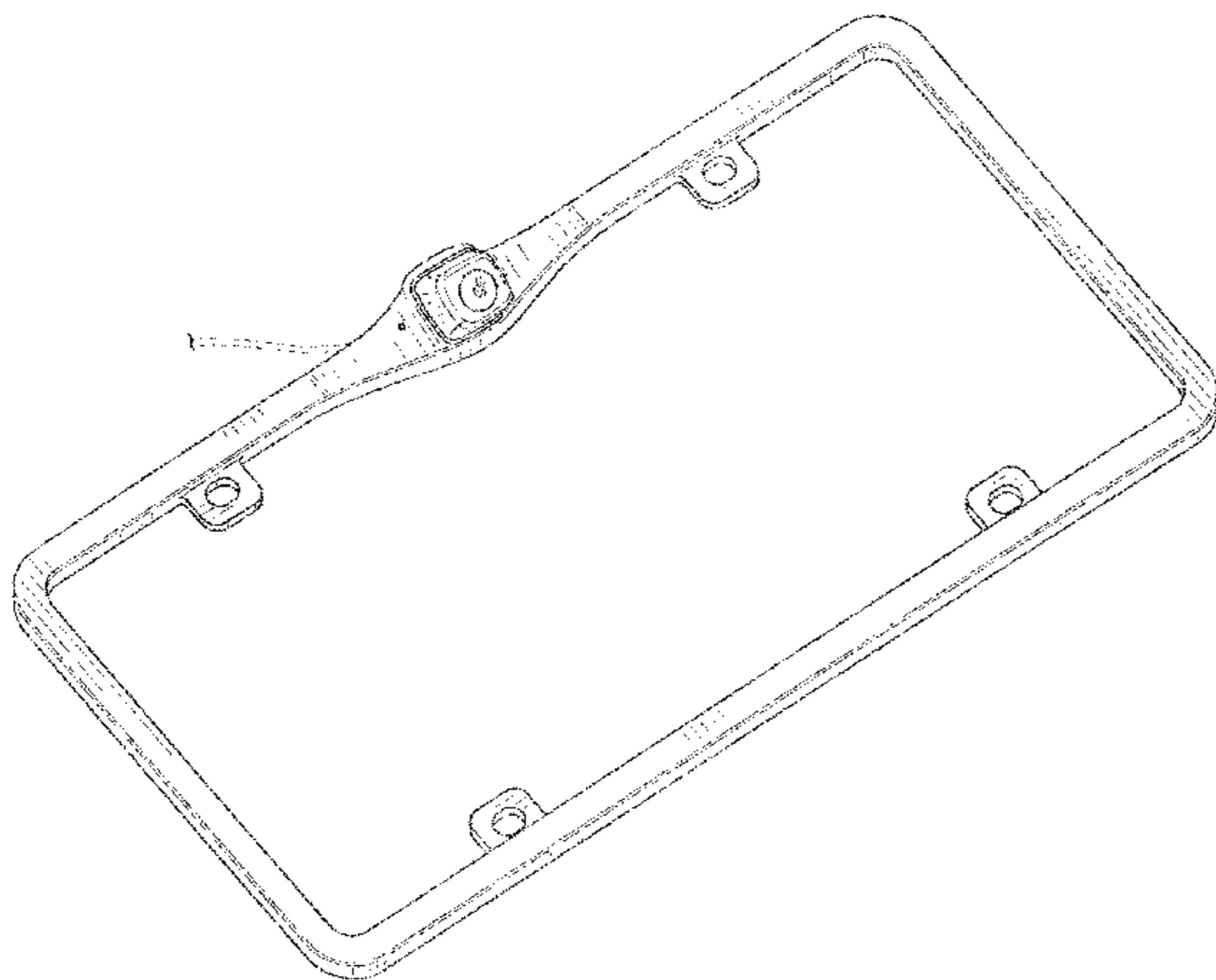
FIG. 5 is a left side view of the license plate frame with camera.

FIG. 6 is a front view of the license plate frame with camera; and,

FIG. 7 is a rear view of the license plate frame with camera.

The broken line showing of the wire is included for the purpose of illustrating environment and forms no part of the claimed design.

1 Claim, 4 Drawing Sheets



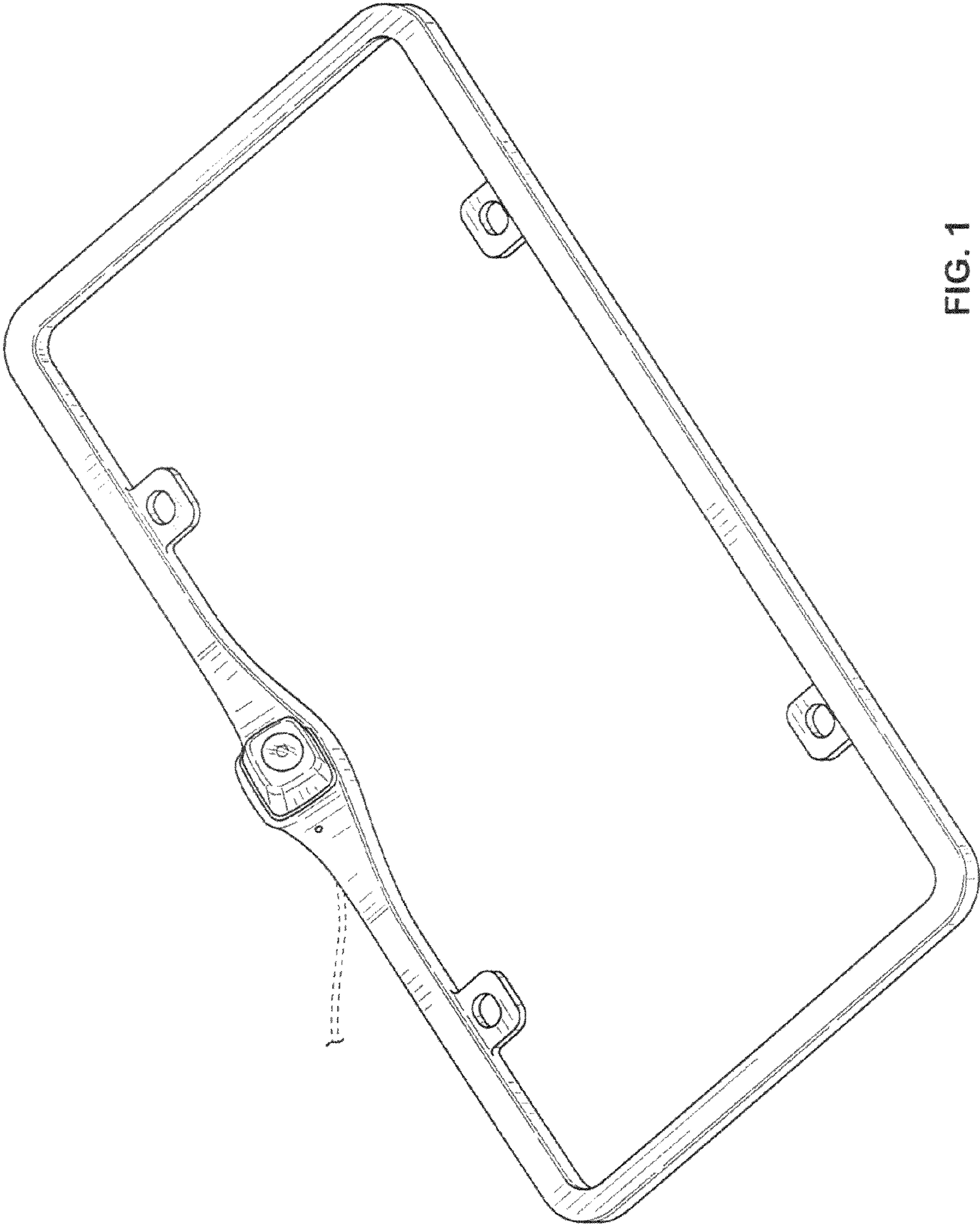


FIG. 1

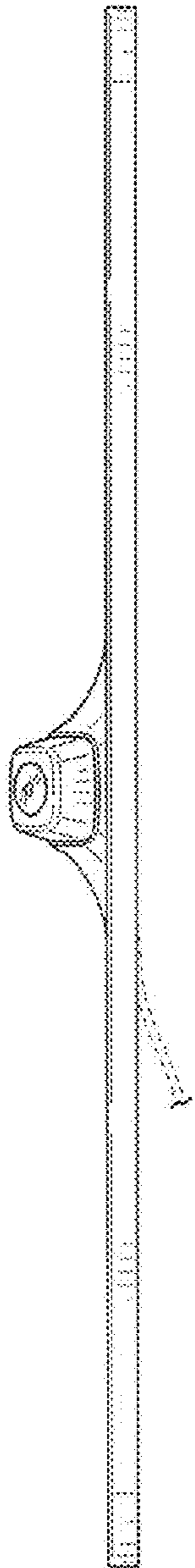


FIG. 2

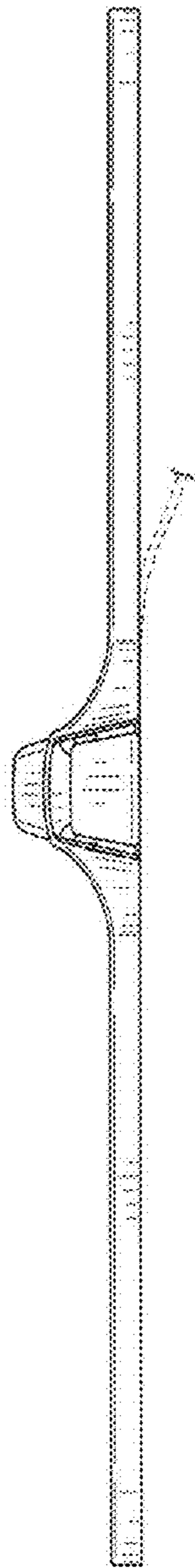


FIG. 3

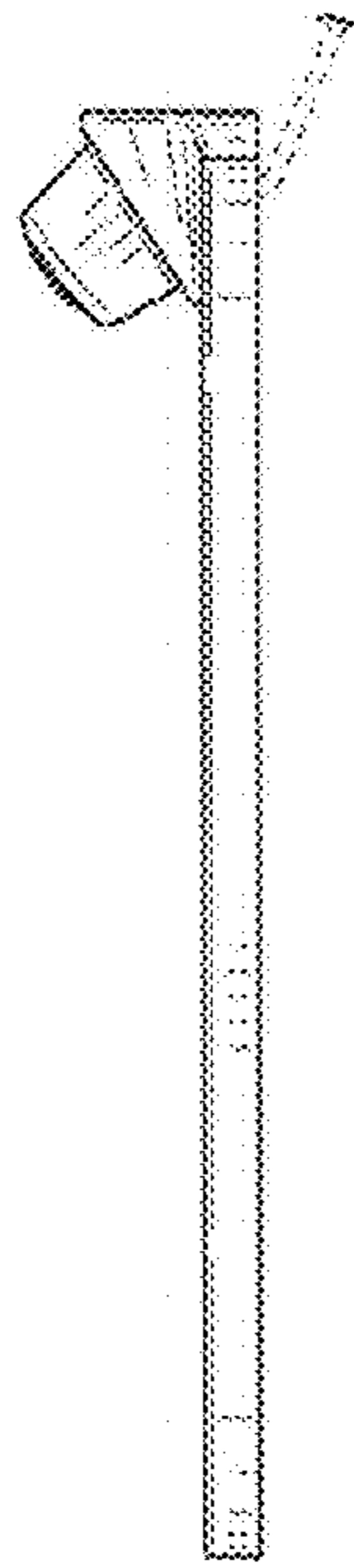


FIG. 4

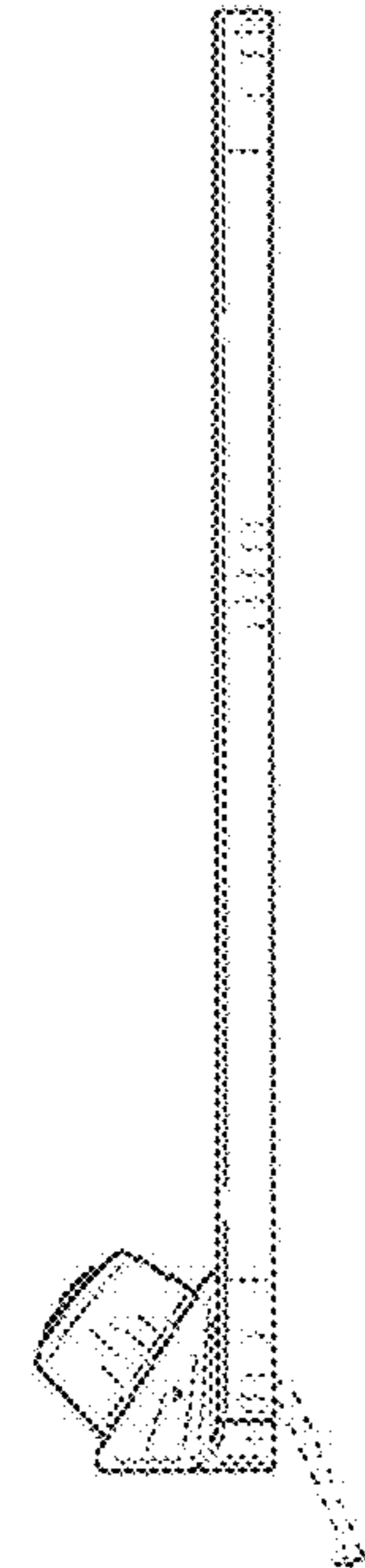


FIG. 5

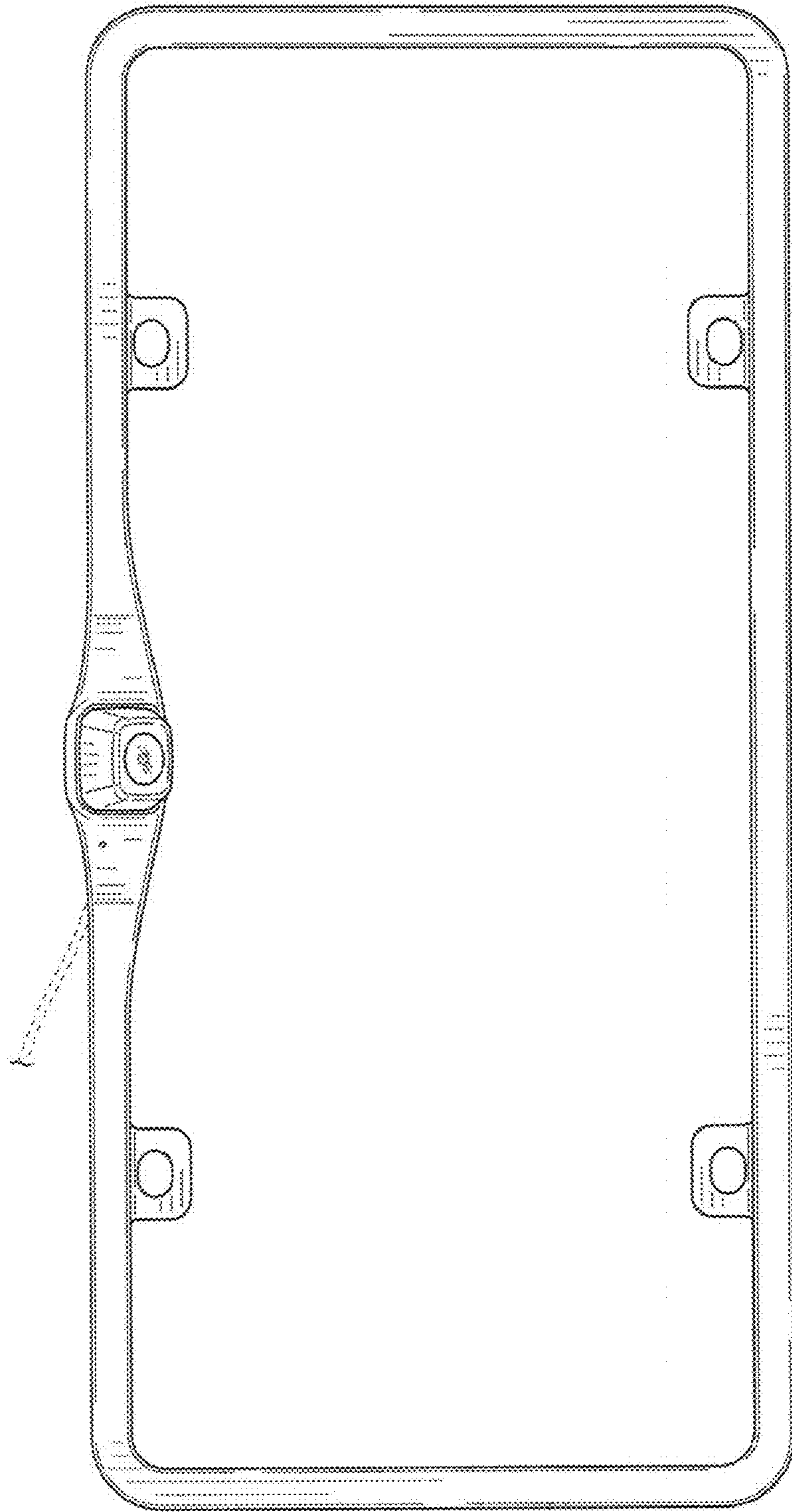


FIG. 6

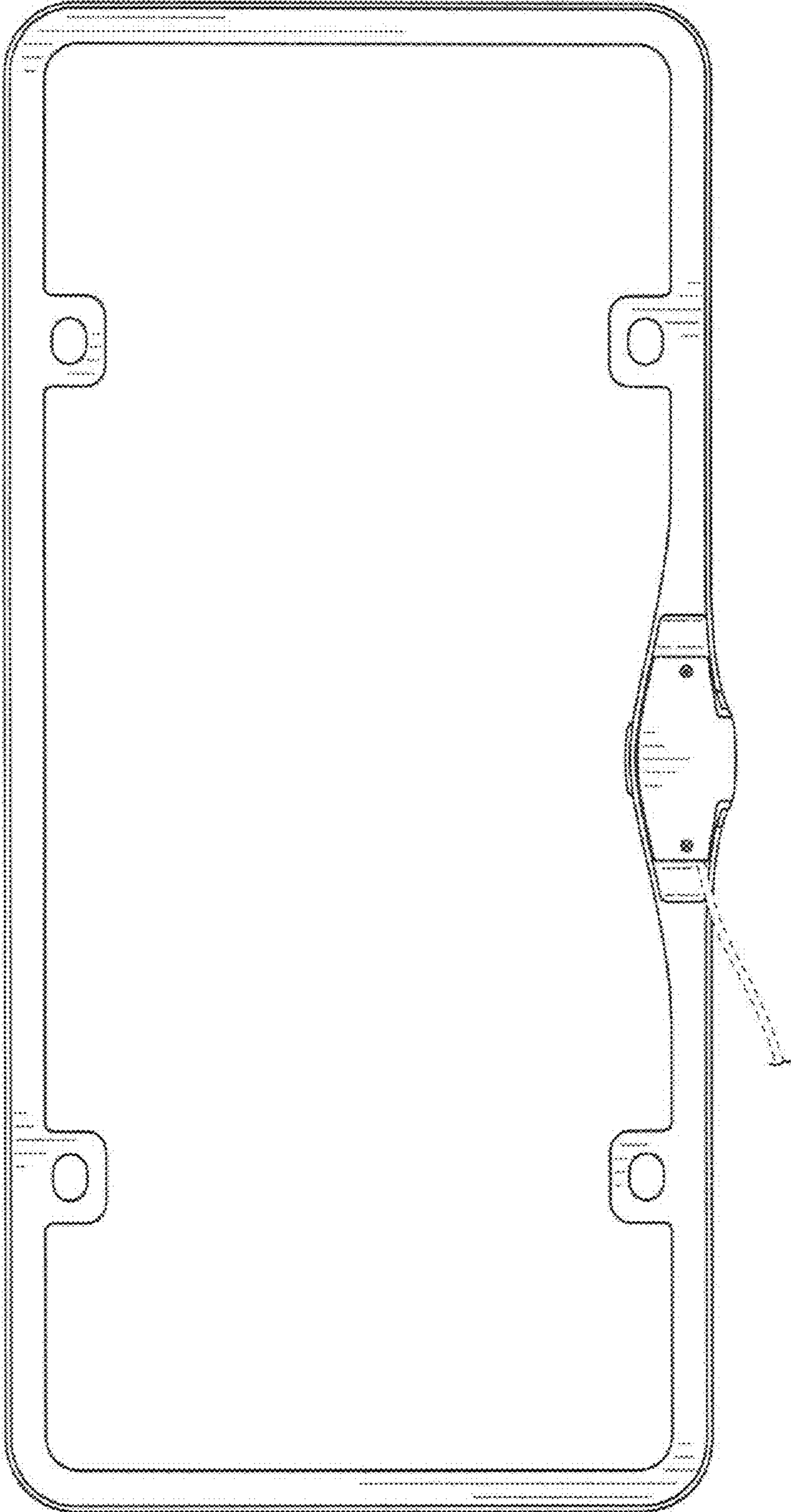


FIG. 7