



US00D672294S

(12) **United States Design Patent**  
**Thompson**

(10) **Patent No.:** **US D672,294 S**

(45) **Date of Patent:** **\*\* Dec. 11, 2012**

- (54) **WINDOW-ATTACHABLE SHADE**
- (76) Inventor: **Richard W. Thompson**, Redmond, WA (US)
- (\*\*) Term: **14 Years**
- (21) Appl. No.: **29/397,255**
- (22) Filed: **Jul. 13, 2011**
- (51) **LOC (9) Cl.** ..... **12-08**
- (52) **U.S. Cl.** ..... **D12/183**
- (58) **Field of Classification Search** ..... D12/400-401, D12/191, 182-183; 49/502-504; 296/84.1, 296/89, 96, 97.1, 97.7, 146.1, 187.01, 190.01; 160/DIG. 2, DIG. 3, 370.21-370.22; 150/166, 150/168

See application file for complete search history.

(56) **References Cited**

**U.S. PATENT DOCUMENTS**

2,619,168	A *	11/1952	Leverence	.....	160/354
3,025,098	A *	3/1962	Andrews	.....	296/152
3,425,176	A *	2/1969	Cairns	.....	52/208
3,865,428	A	2/1975	Chester		
4,171,845	A	10/1979	Hirsch		
4,331,359	A	5/1982	Sheldon		
4,988,139	A	1/1991	Yamada		
D315,541	S *	3/1991	Rebeck	.....	D12/187
5,115,848	A *	5/1992	Malone	.....	150/166
D350,322	S *	9/1994	Carson et al.	.....	D12/183
5,379,822	A	1/1995	Lenetz		
5,465,776	A	11/1995	Mirza		
5,509,713	A	4/1996	Hou		
5,756,167	A *	5/1998	Tamura et al.	.....	428/31
6,086,983	A *	7/2000	Yoshizawa	.....	428/215
6,155,329	A	12/2000	Hwang et al.		
6,394,530	B1	5/2002	Bittner		
6,656,597	B2 *	12/2003	Takahara	.....	428/432
6,691,762	B2	2/2004	Huang		
7,053,012	B2 *	5/2006	Elkouh et al.	.....	442/131
7,121,315	B2	10/2006	Ly		
D548,657	S *	8/2007	Eskandry	.....	D12/183
D555,571	S *	11/2007	Eskandry	.....	D12/400

7,707,779	B2 *	5/2010	Petta et al.	.....	49/504
7,717,158	B2	5/2010	Lekar et al.		
7,896,058	B2	3/2011	Hansen		
2006/0082192	A1	4/2006	Dubay et al.		
2006/0219372	A1	10/2006	Hansen		
2007/0074827	A1	4/2007	Avitsur		
2008/0053630	A1	3/2008	Lekar		
2008/0078513	A1	4/2008	Hansen		
2008/0315615	A1	12/2008	Lekar		
2009/0174217	A1	7/2009	Lawall et al.		
2011/0042995	A1	2/2011	Benites		
2011/0297339	A1 *	12/2011	Yi et al.	.....	160/370.21
2012/0049562	A1 *	3/2012	Mowder et al.	.....	296/97.6

\* cited by examiner

*Primary Examiner* — Michael A Pratt

(74) *Attorney, Agent, or Firm* — QuickPatents, Inc.; Kevin Prince

(57) **CLAIM**

I claim the ornamental design for a window-attachable shade, as shown and described.

**DESCRIPTION**

FIG. 1 is a perspective view of a window-attachable shade, showing my new design;

FIG. 2 is a left-side elevational view thereof, the right-side elevational view being a mirror image thereof;

FIG. 3 is a front elevational view thereof, the rear elevational view being a mirror image thereof;

FIG. 4 is a top plan view thereof, the bottom plan view being a mirror image thereof;

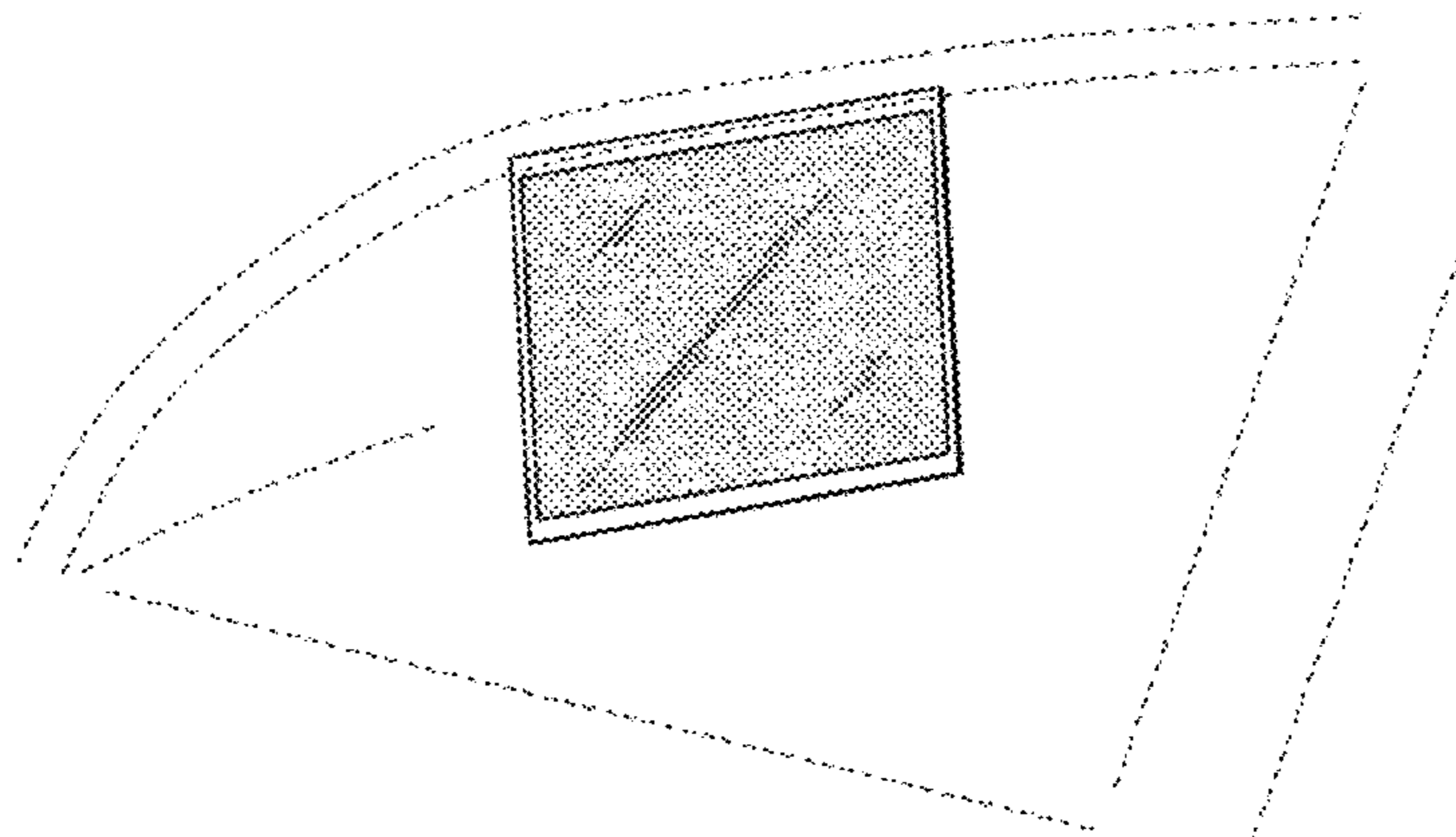
FIG. 5 is a cross-sectional view thereof, taken generally along lines 5-5 of FIG. 3;

FIG. 6 is a cross-sectional view thereof, taken generally along lines 6-6 of FIG. 3; and,

FIG. 7 is a cross-sectional view thereof, taken generally along lines 7-7 of FIG. 3.

The broken lines showing a vehicle window in FIG. 1 depict environmental matter and form no part of the claimed design.

**1 Claim, 3 Drawing Sheets**



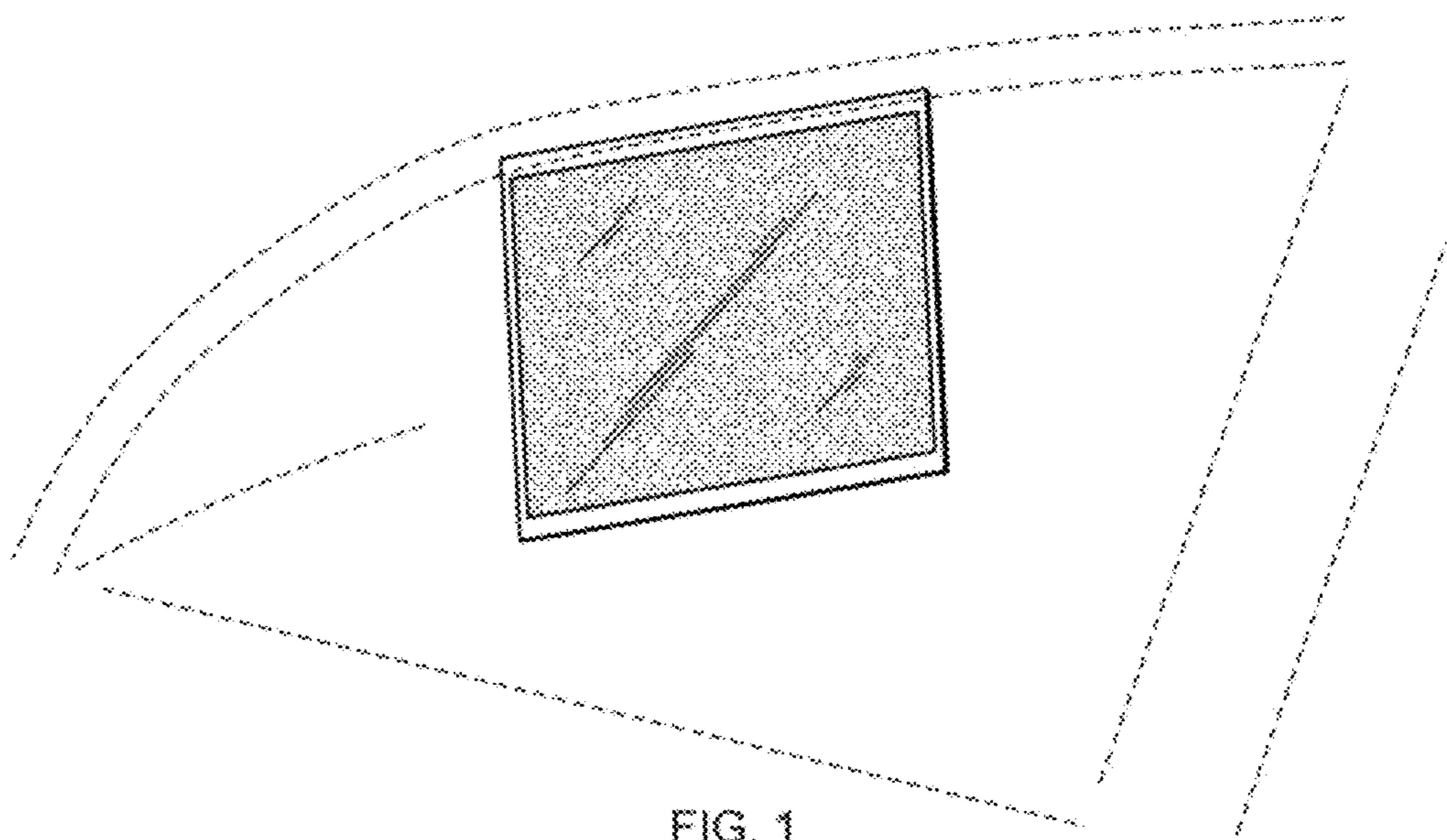


FIG. 1



FIG. 2

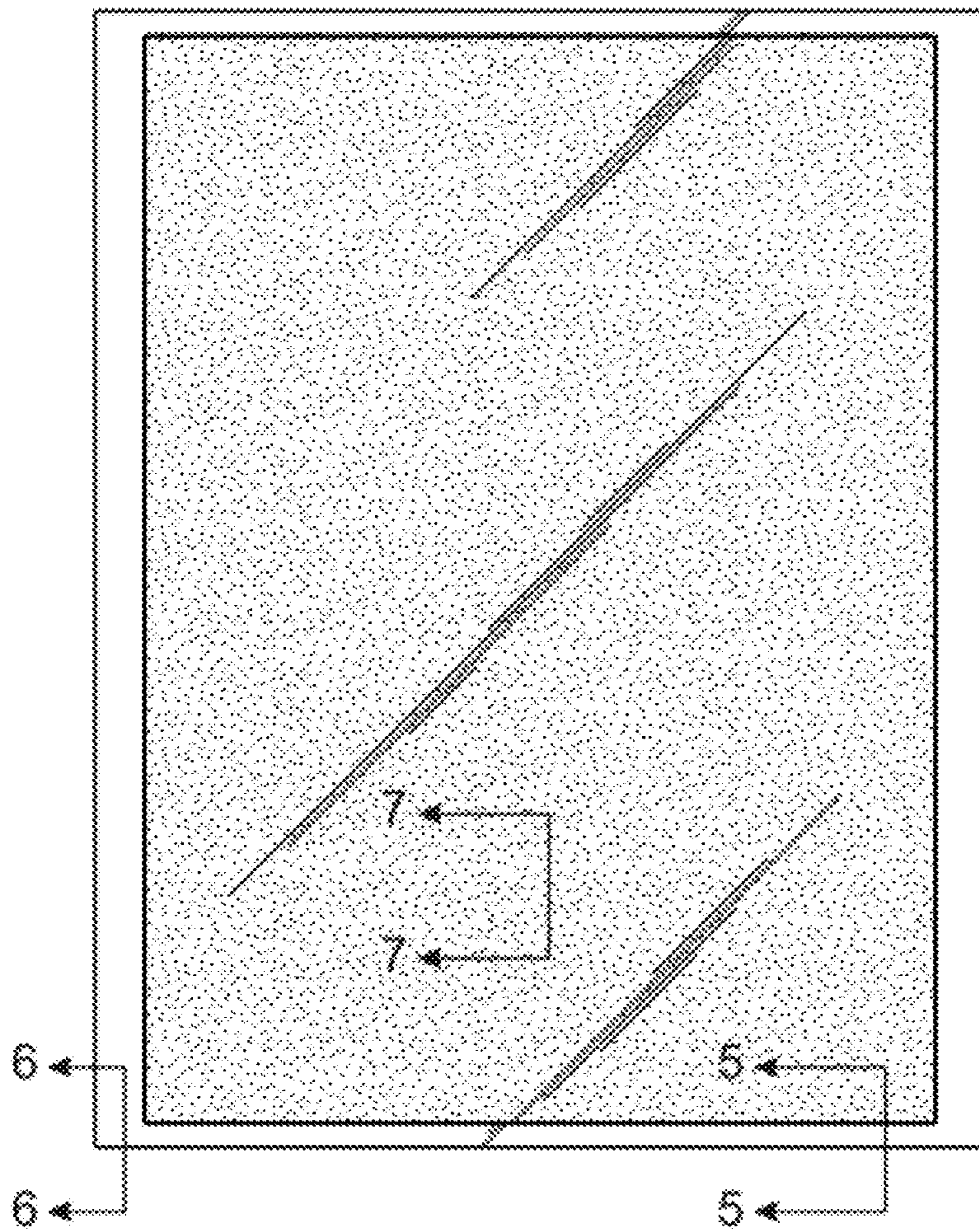


FIG. 3



FIG. 4

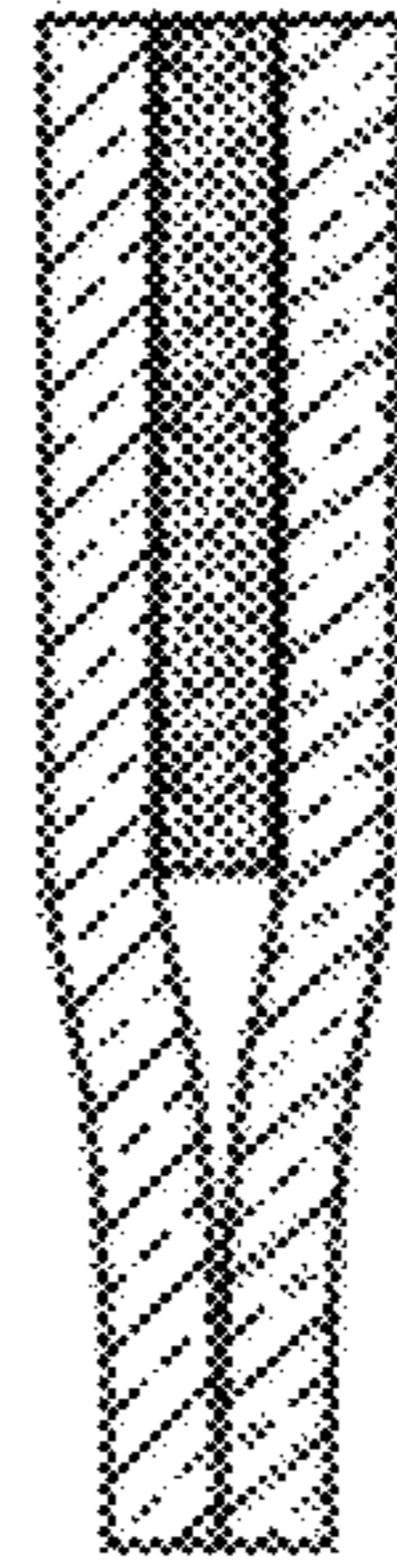


FIG. 5



FIG. 6

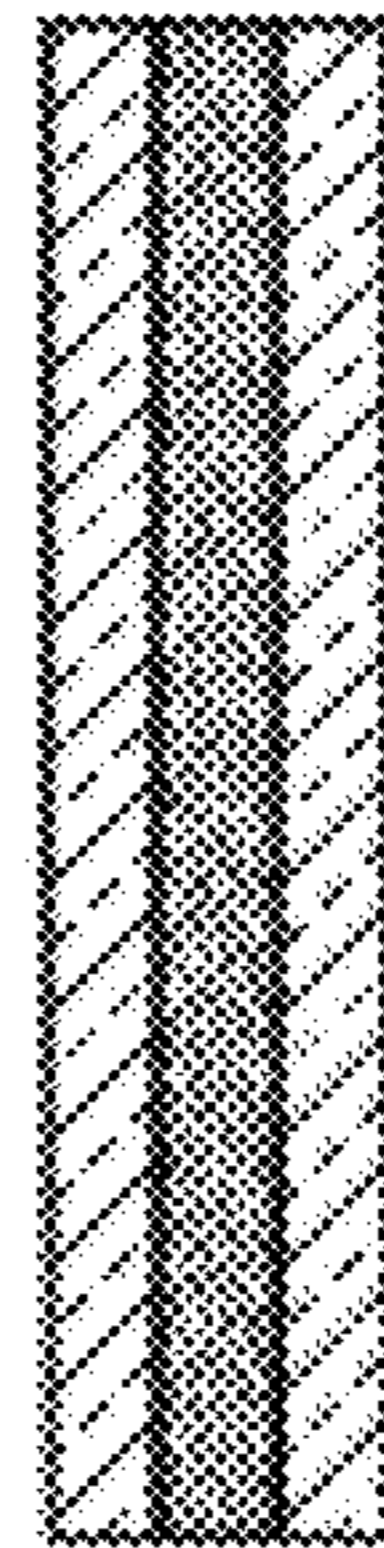


FIG. 7