



US00D672292S

(12) **United States Design Patent**
Liogas

(10) **Patent No.:** **US D672,292 S**

(45) **Date of Patent:** **** Dec. 11, 2012**

(54) **VEHICLE FRONT BUMPER LOWER SKIRTING COVER**

(76) Inventor: **Dimitri P. Liogas**, Warren, OH (US)

(**) Term: **14 Years**

(21) Appl. No.: **29/399,409**

(22) Filed: **Aug. 12, 2011**

(51) **LOC (9) Cl.** **12-16**

(52) **U.S. Cl.** **D12/169**

(58) **Field of Classification Search** D12/169,
D12/196, 171, 216, 163, 86, 90-92; 293/102,
293/113, 115, 117, 120; 296/180.1, 180.2
See application file for complete search history.

(56) **References Cited**

U.S. PATENT DOCUMENTS

| | | | |
|--------------|---------|-----------------|---------|
| D321,679 S | 11/1991 | Shinoda | |
| D352,491 S | 11/1994 | Galasso | |
| D400,842 S | 11/1998 | Davis et al. | |
| D400,845 S | 11/1998 | Miller et al. | |
| D402,603 S * | 12/1998 | Witkowski | D12/169 |
| D420,960 S | 2/2000 | Sousamian | |
| D425,010 S | 5/2000 | Lowe | |
| D425,837 S * | 5/2000 | Runfola | D12/169 |
| D431,506 S * | 10/2000 | Runfola | D12/169 |
| D439,560 S | 3/2001 | Atwell et al. | |
| 6,652,011 B1 | 11/2003 | Khan | |
| D491,851 S | 6/2004 | Perfetti et al. | |

| | | | |
|--------------|---------|---------------|---------|
| D541,712 S | 5/2007 | Golden et al. | |
| D556,655 S | 12/2007 | Dixon | |
| D624,471 S | 9/2010 | Green | |
| D626,474 S | 11/2010 | Lorenzo | |
| D654,840 S * | 2/2012 | Barnaba | D12/196 |

* cited by examiner

Primary Examiner — Melody N Brown

(74) *Attorney, Agent, or Firm* — QuickPatents, Inc.; Kevin Prince

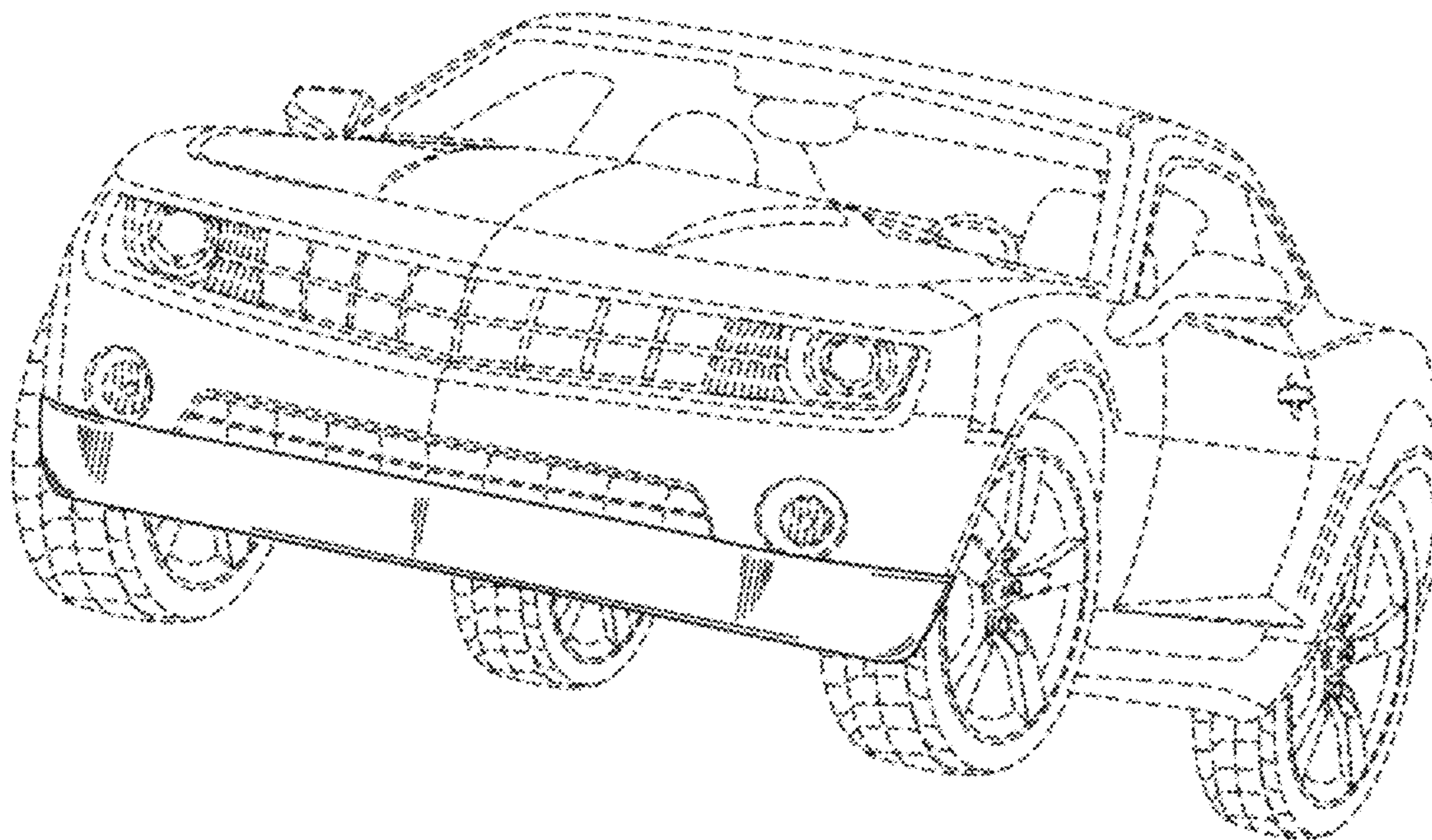
(57) **CLAIM**

I claim the ornamental design for a vehicle front bumper lower skirting cover, as shown and described.

DESCRIPTION

FIG. 1 is a perspective view of a vehicle front bumper lower skirting cover, showing my new design; FIG. 2 is a front elevational view thereof; FIG. 3 is a rear elevational view thereof; FIG. 4 is a left-side elevational view thereof, the right-side elevational view being a mirror image thereof; FIG. 5 is a top plan view thereof, the bottom plan view being a mirror image thereof; FIG. 6 is a rear perspective view thereof; and, FIG. 7 is a front perspective view thereof. The broken lines showing a vehicle in FIG. 1 depict environmental matter and form no part of the claimed design.

1 Claim, 3 Drawing Sheets



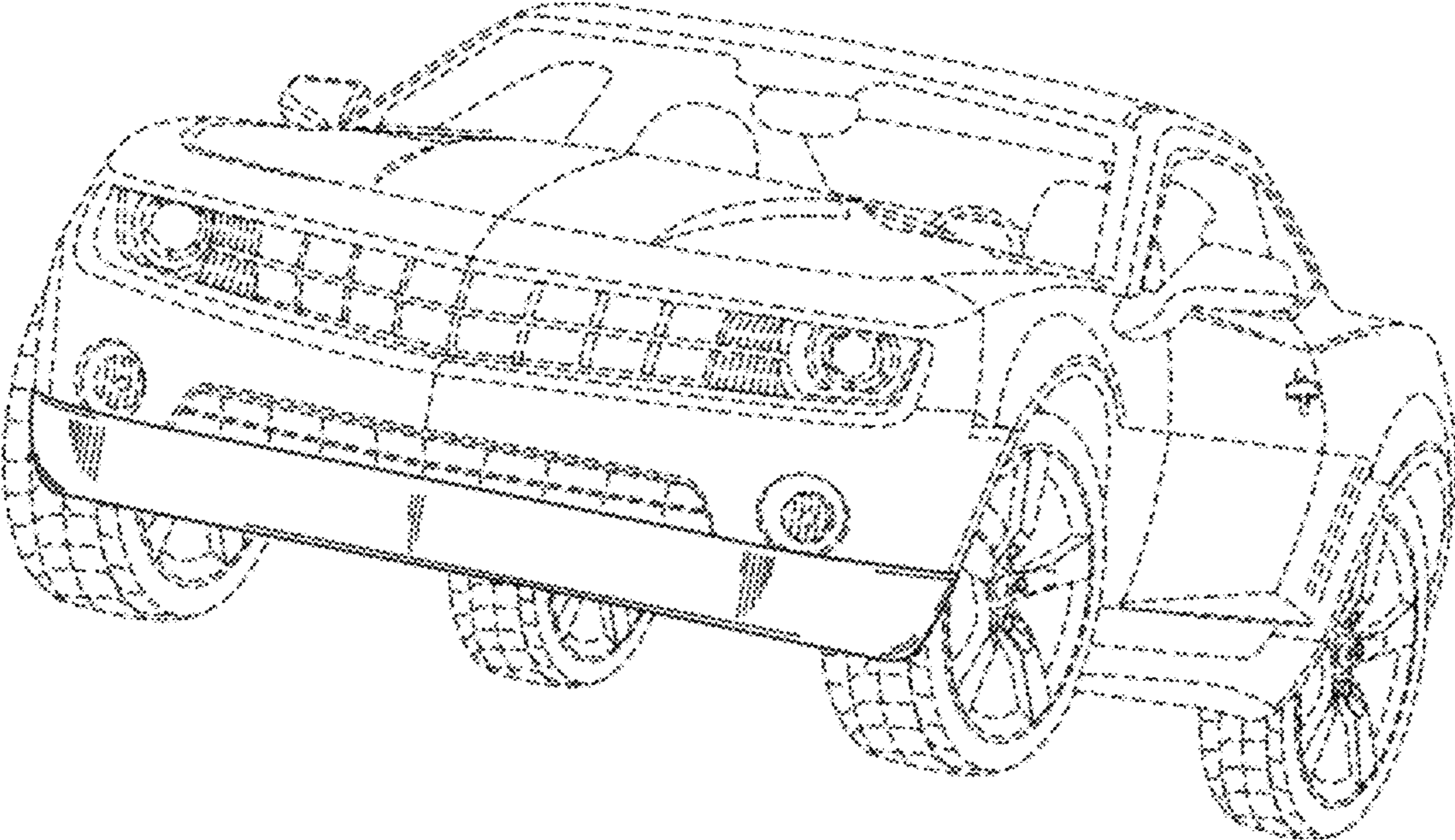


FIG. 1

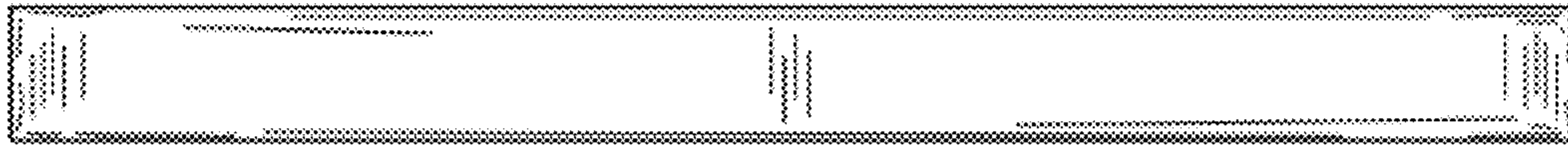


FIG. 2

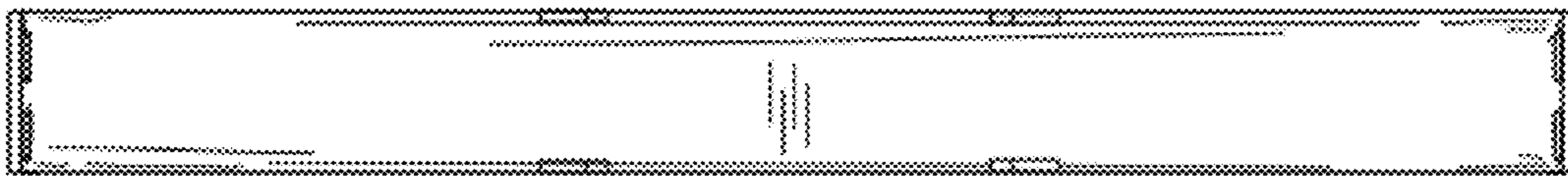


FIG. 3



FIG. 4

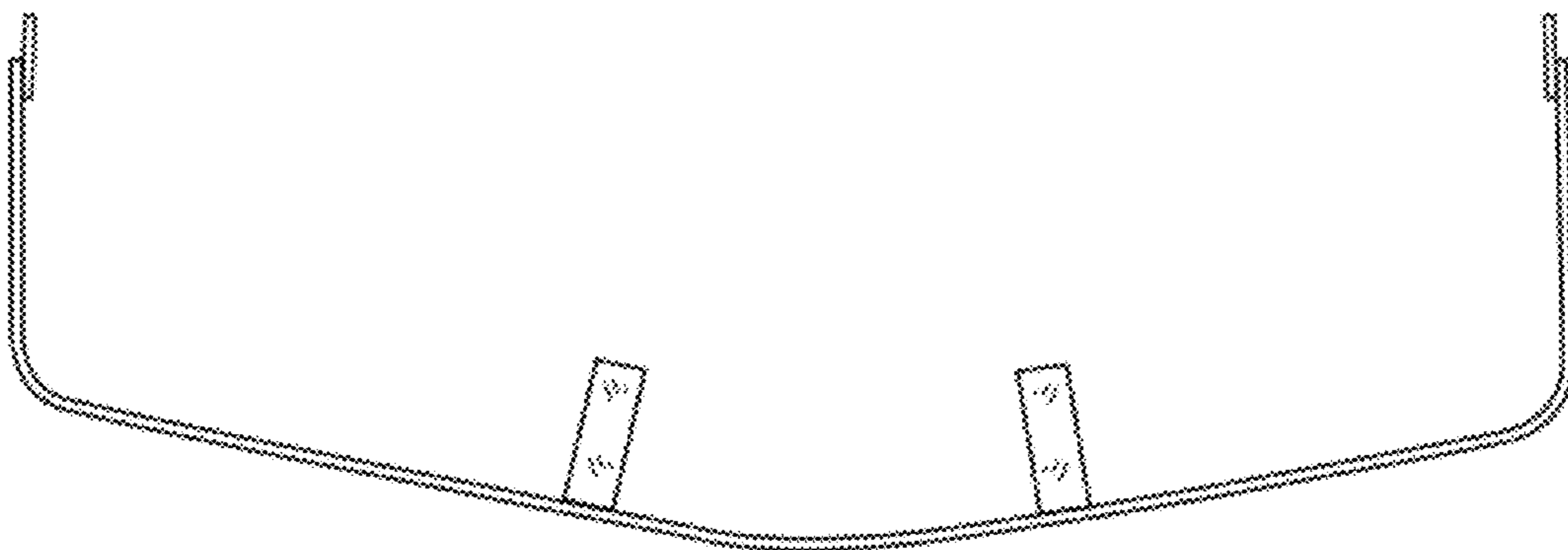


FIG. 5

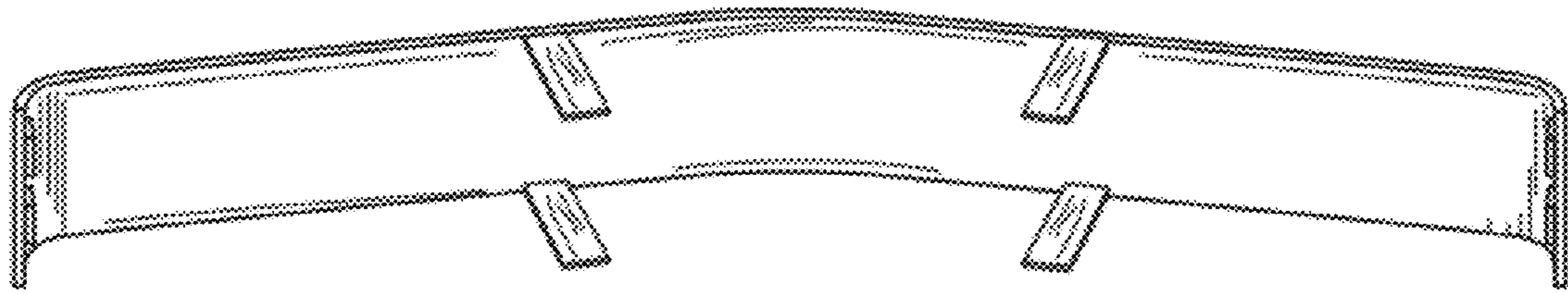


FIG. 6



FIG. 7