



US00D672290S

(12) **United States Design Patent**  
**Lamm**

(10) **Patent No.:** **US D672,290 S**  
(45) **Date of Patent:** **\*\* Dec. 11, 2012**

(54) **VEHICLE UPPER GRILLE**

(75) Inventor: **Stefan Lamm**, Köln (DE)

(73) Assignee: **Ford Global Technologies, LLC**,  
Dearborn, MI (US)

(\*\*) Term: **14 Years**

(21) Appl. No.: **29/397,803**

(22) Filed: **Jul. 21, 2011**

(51) **LOC (9) Cl.** ..... **12-16**

(52) **U.S. Cl.** ..... **D12/163**

(58) **Field of Classification Search** ..... D12/163,  
D12/196, 171, 86, 90-92, 216; 180/68.1,  
180/68.6; 296/193.11

See application file for complete search history.

(56) **References Cited**

**U.S. PATENT DOCUMENTS**

D562,192 S	2/2008	Kushima et al.	
D572,177 S	7/2008	Nakamura et al.	
D579,829 S	11/2008	Hokao et al.	
D580,309 S	11/2008	Walter et al.	
D580,311 S	11/2008	Gueler et al.	
D584,196 S *	1/2009	Ebel et al.	D12/163
D584,197 S *	1/2009	Song et al.	D12/163
D586,267 S *	2/2009	Ebel et al.	D12/163

D598,335 S *	8/2009	George et al.	D12/163
D603,763 S	11/2009	Lamm	
D605,094 S *	12/2009	Bennett et al.	D12/163
D644,967 S *	9/2011	Tonello	D12/163

**OTHER PUBLICATIONS**

Frankfurt, 63rd International Motor Show (2009) Sep. 15-27, 2009.

\* cited by examiner

*Primary Examiner* — Melody N Brown

(74) *Attorney, Agent, or Firm* — Damian Porcari

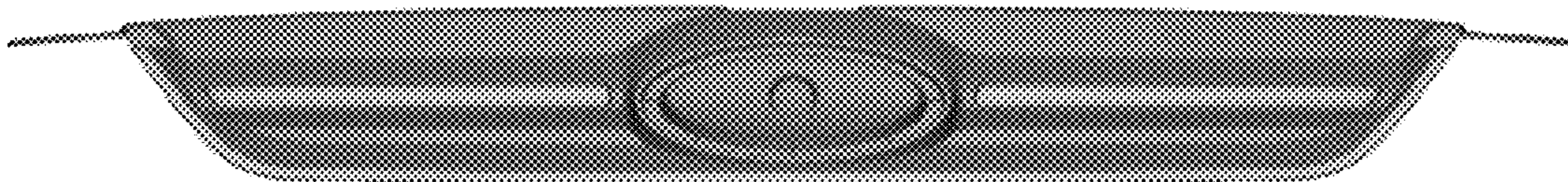
(57) **CLAIM**

The ornamental design for a vehicle upper grille, as shown and described.

**DESCRIPTION**

FIG. 1 is a top plan view of a vehicle upper grille;  
FIG. 2 is a bottom plan view of the vehicle upper grille;  
FIG. 3 is a front elevational view of the vehicle upper grille;  
FIG. 4 is a left side elevational view of the vehicle upper grille;  
FIG. 5 is a right side elevational view of the vehicle upper grille;  
FIG. 6 is a perspective view of the vehicle upper grille; and,  
FIG. 7 is another perspective view of the vehicle upper grille.

**1 Claim, 7 Drawing Sheets**



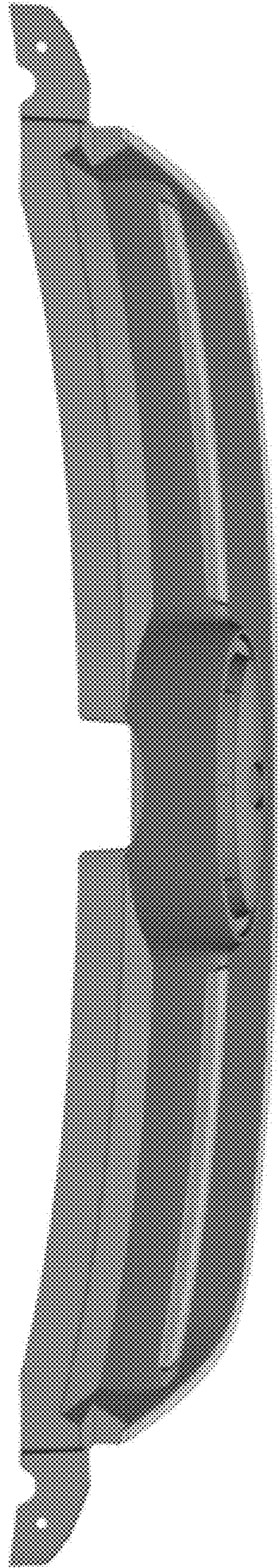


Figure 1

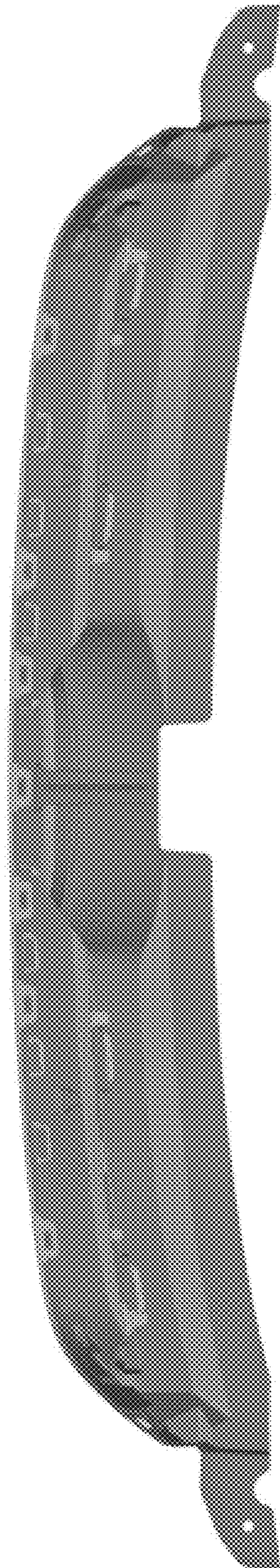


Figure 2

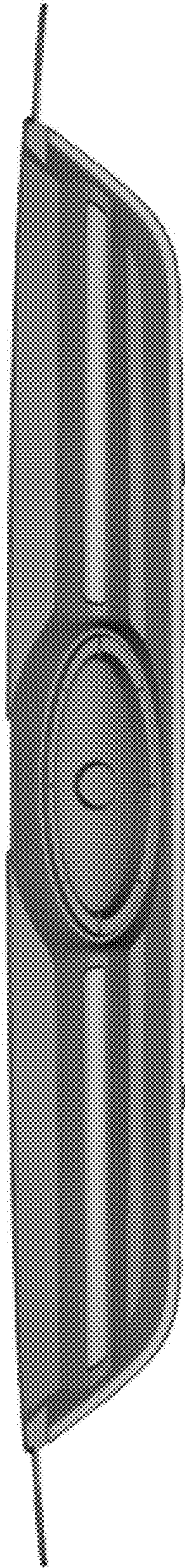
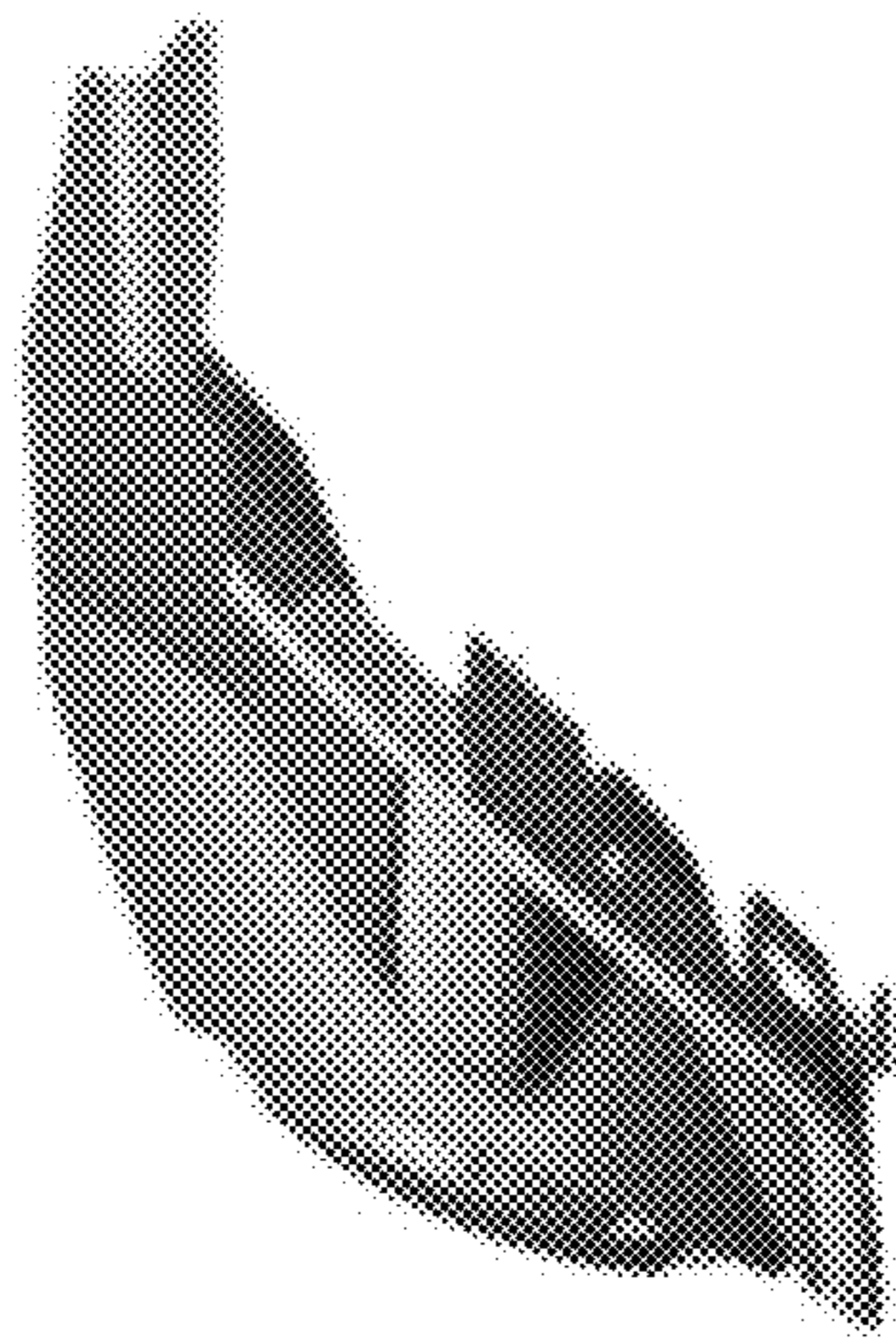


Figure 3



*Figure 4*

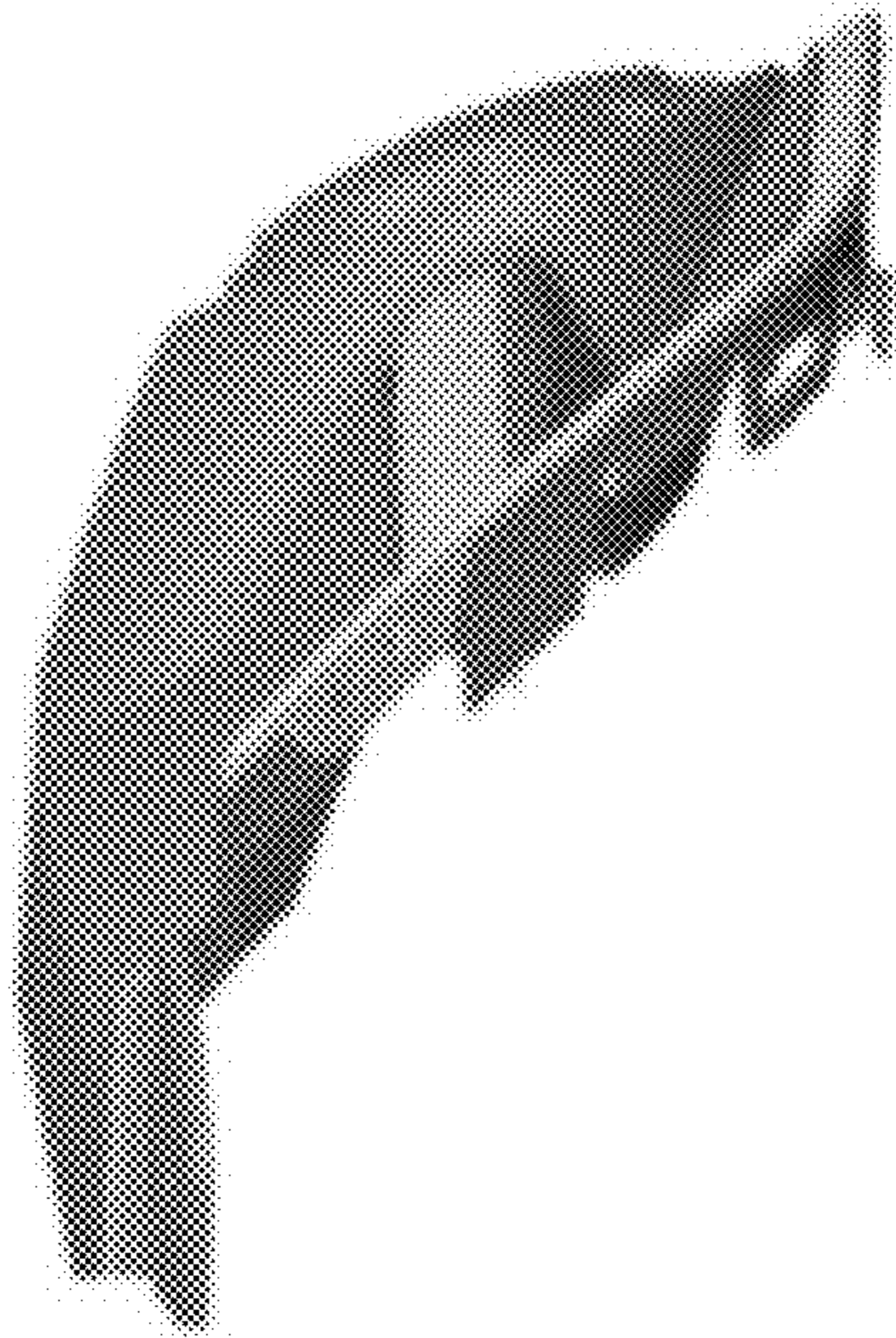


Figure 5

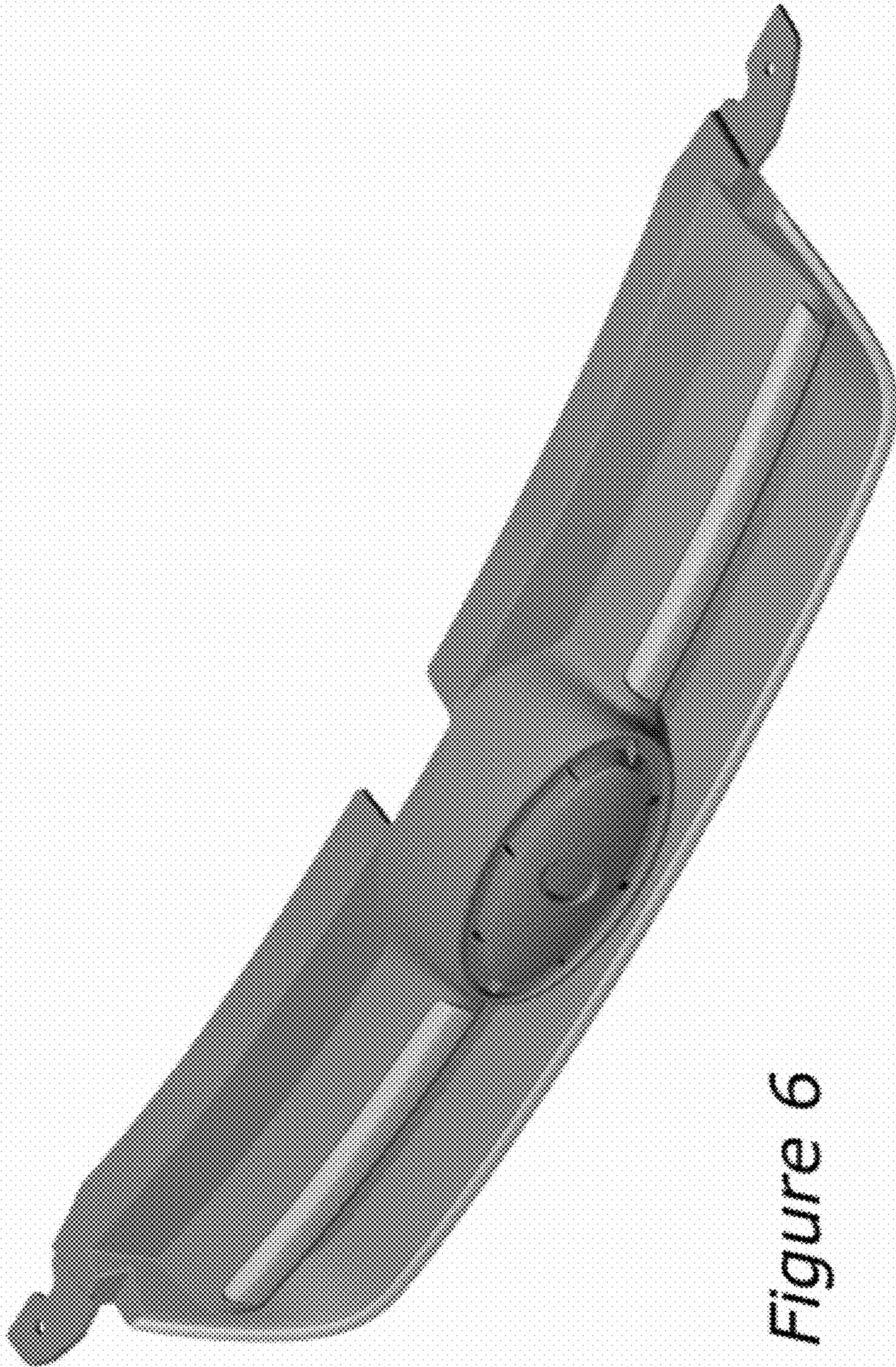


Figure 6



Figure 7