



US00D672281S

(12) **United States Design Patent**
Schurian et al.

(10) **Patent No.:** **US D672,281 S**

(45) **Date of Patent:** **** Dec. 11, 2012**

(54) **LOOP CHEST SLIDE ATTACHMENT**

(56) **References Cited**

(75) Inventors: **Cortland G. Schurian**, Long Beach, CA (US); **Daniel Henn**, Spring Branch, TX (US); **Steven Budrow**, Aliso Viejo, CA (US); **Michael Dancyger**, Brentwood, CA (US)

U.S. PATENT DOCUMENTS

3,197,834	A	*	8/1965	Sussman	24/194
D365,044	S	*	12/1995	Anscher	D11/218
D497,834	S	*	11/2004	Kawamura	D11/218
D508,661	S	*	8/2005	Kaneko et al.	D11/218
D519,411	S	*	4/2006	Yoshiguchi	D11/218
D542,710	S	*	5/2007	Yoshiguchi	D11/218

(73) Assignee: **Alexander Andrew, Inc.**, Compton, CA (US)

* cited by examiner

(**) Term: **14 Years**

Primary Examiner — Ralf Seifert

(21) Appl. No.: **29/396,986**

(57) **CLAIM**

The ornamental design for a loop chest slide attachment, as shown and described.

(22) Filed: **Jul. 10, 2011**

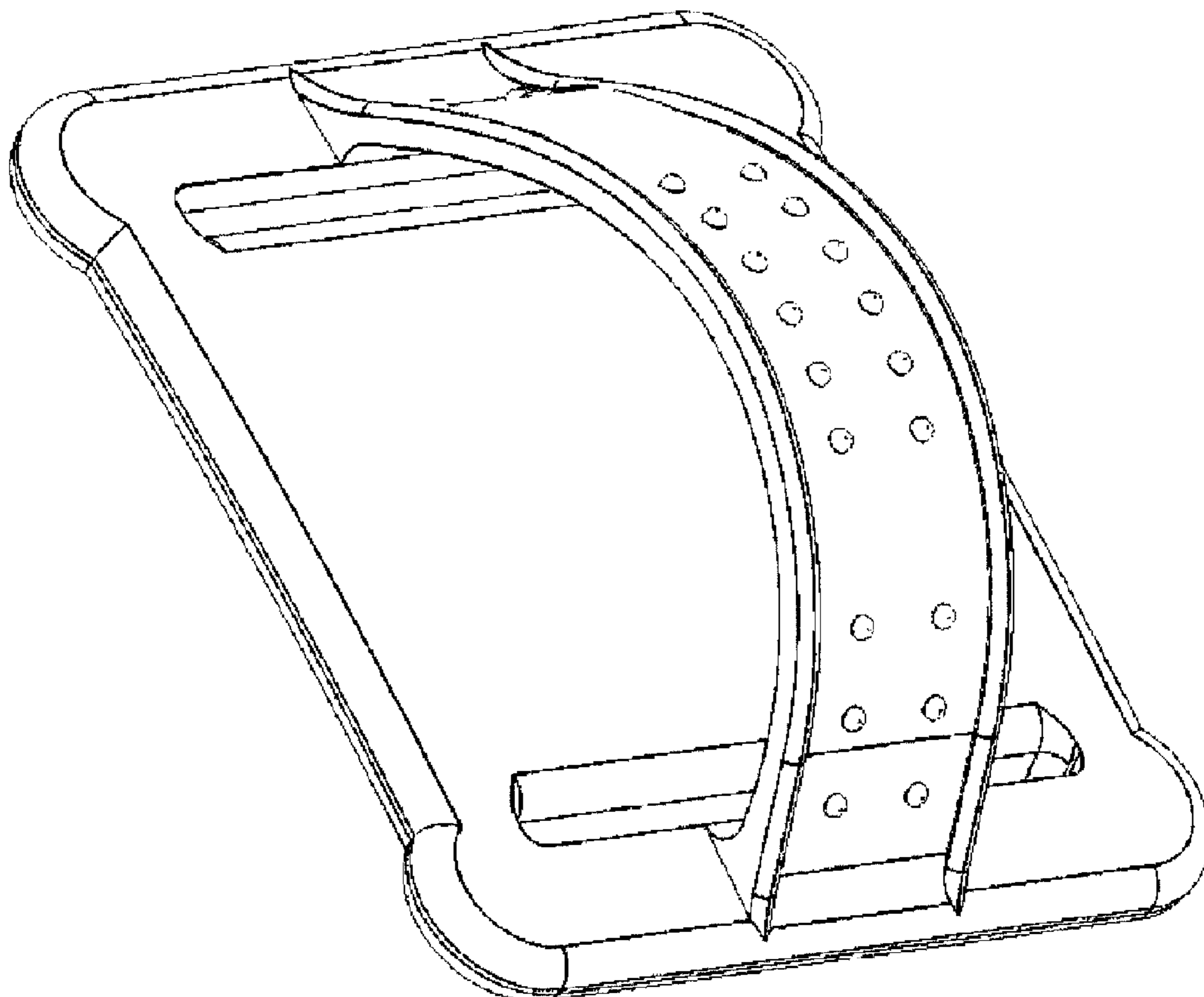
DESCRIPTION

- (51) **LOC (9) Cl.** **02-07**
- (52) **U.S. Cl.** **D11/218**
- (58) **Field of Classification Search** D11/1-2, D11/200-201, 206-210, 214-218; 24/163 R, 24/169-171, 173, 177-179, 191, 194-195, 24/197, 200, 614-616, 625, 198

FIG. 1 illustrates a perspective view of the claimed design for a loop chest slide attachment;
FIG. 2 illustrates a front view thereof;
FIG. 3 illustrates a rear view thereof;
FIG. 4 illustrates a top view thereof;
FIG. 5 illustrates a bottom view thereof;
FIG. 6 illustrates a left-side view thereof; and,
FIG. 7 illustrates a right-side view thereof.

See application file for complete search history.

1 Claim, 5 Drawing Sheets



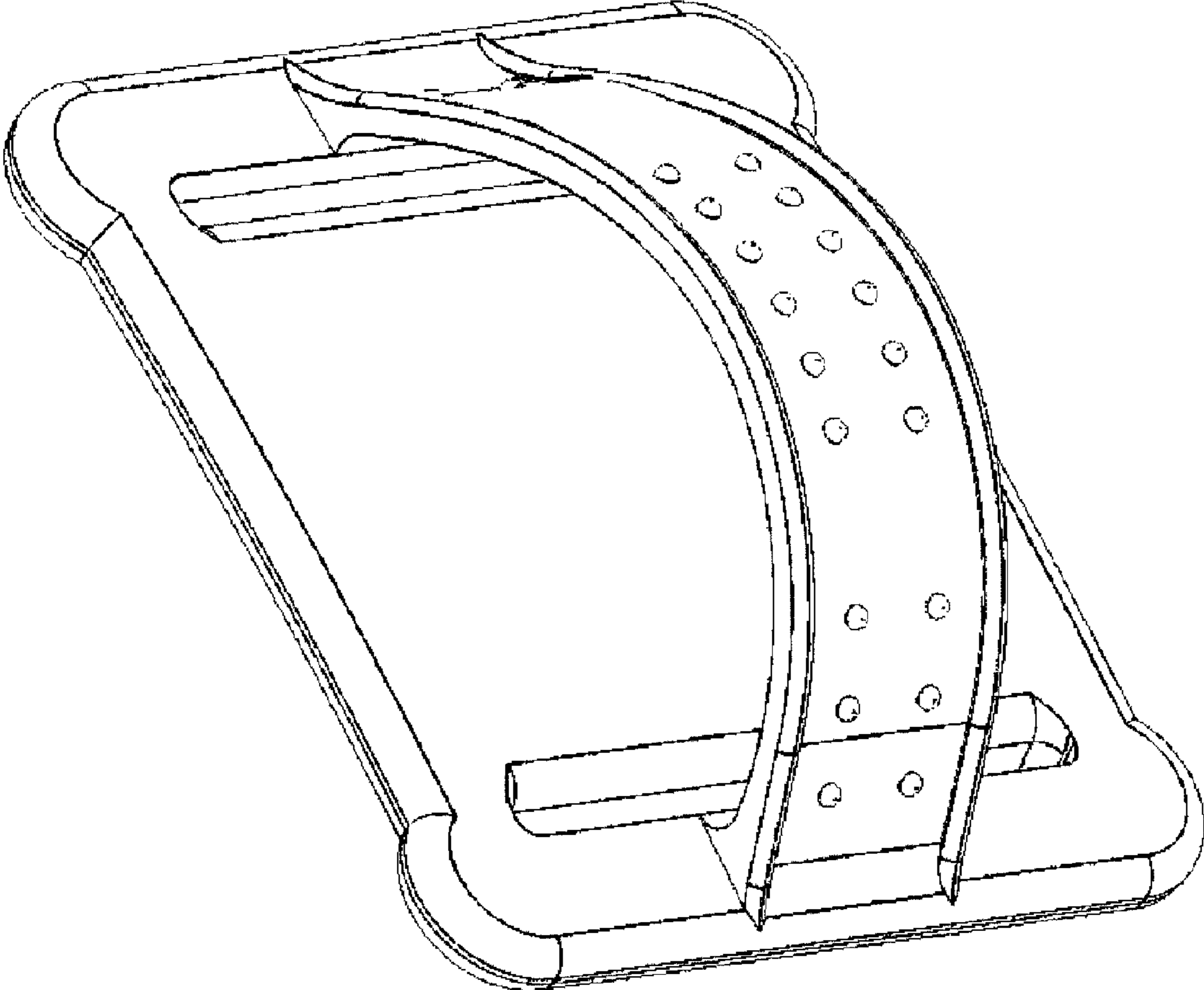


FIG. 1

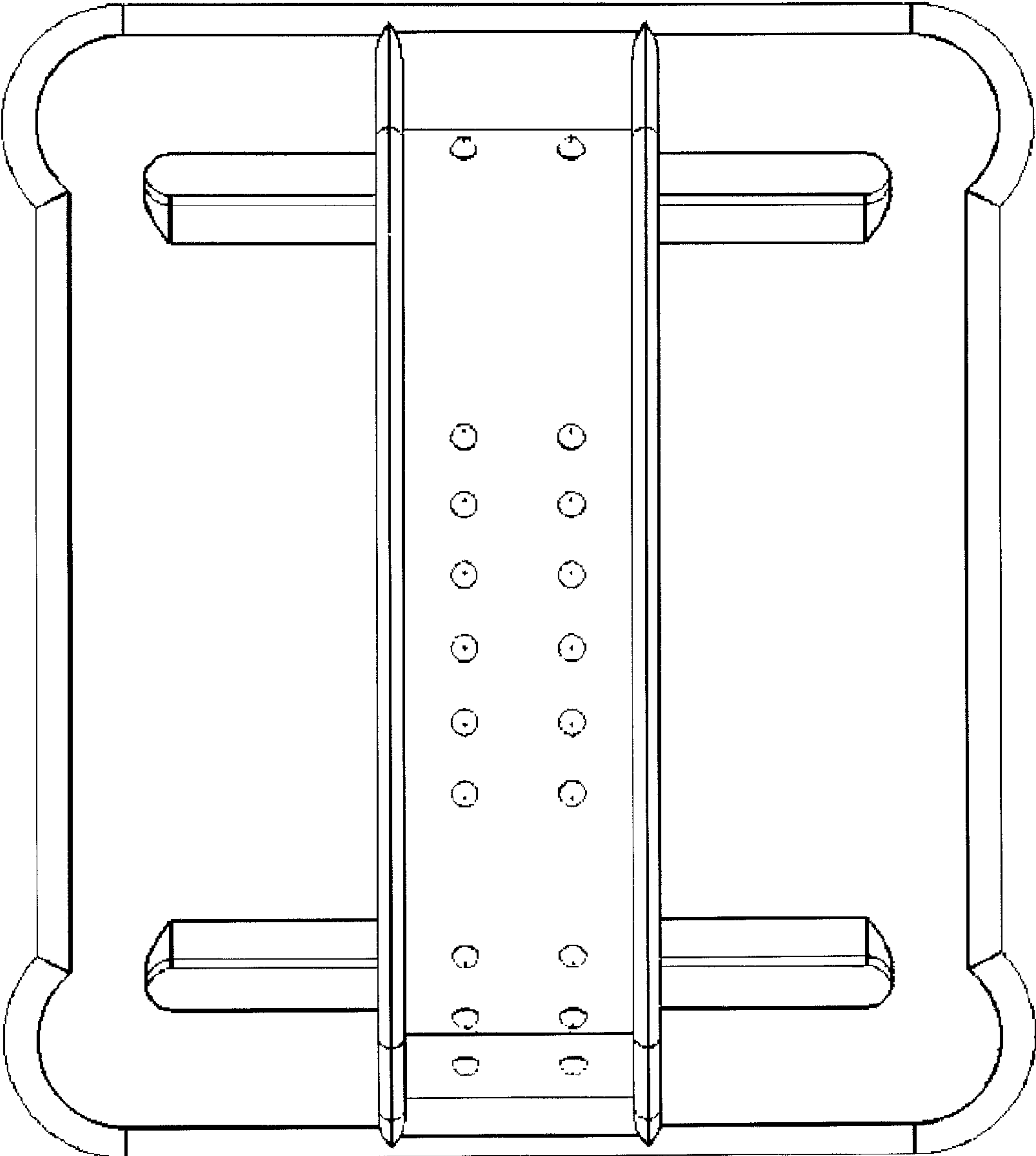


FIG. 2

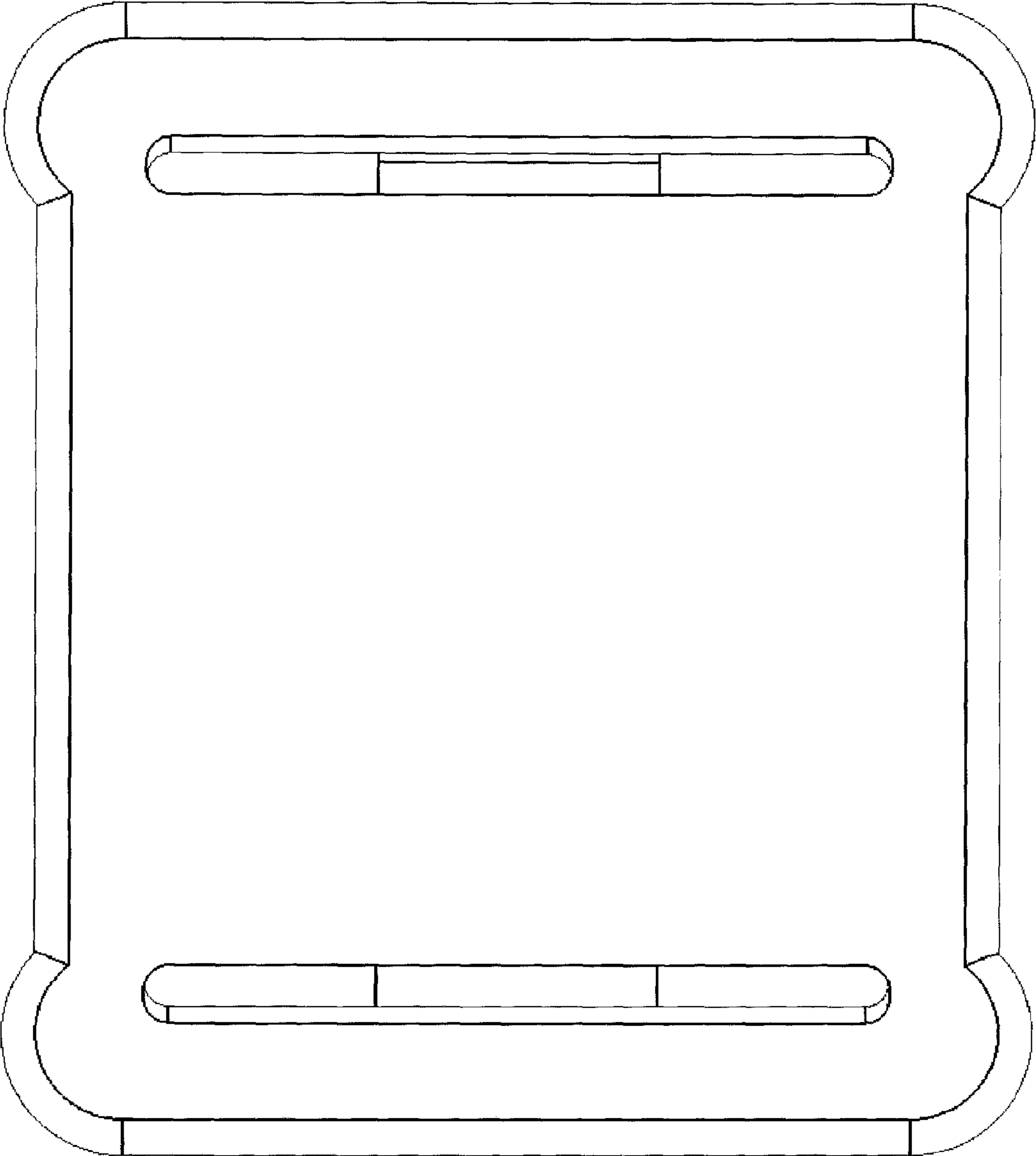


FIG. 3

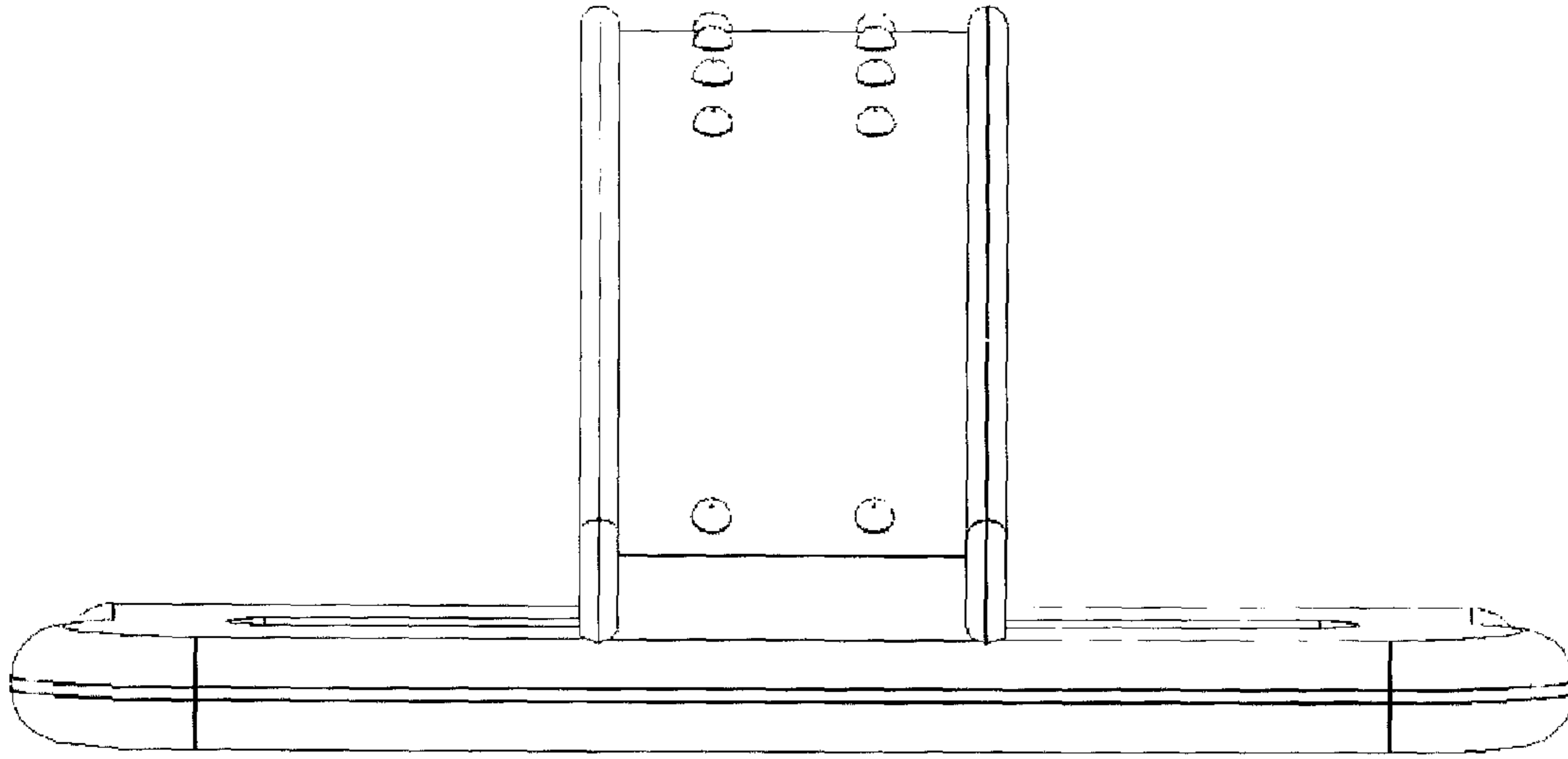


FIG. 4

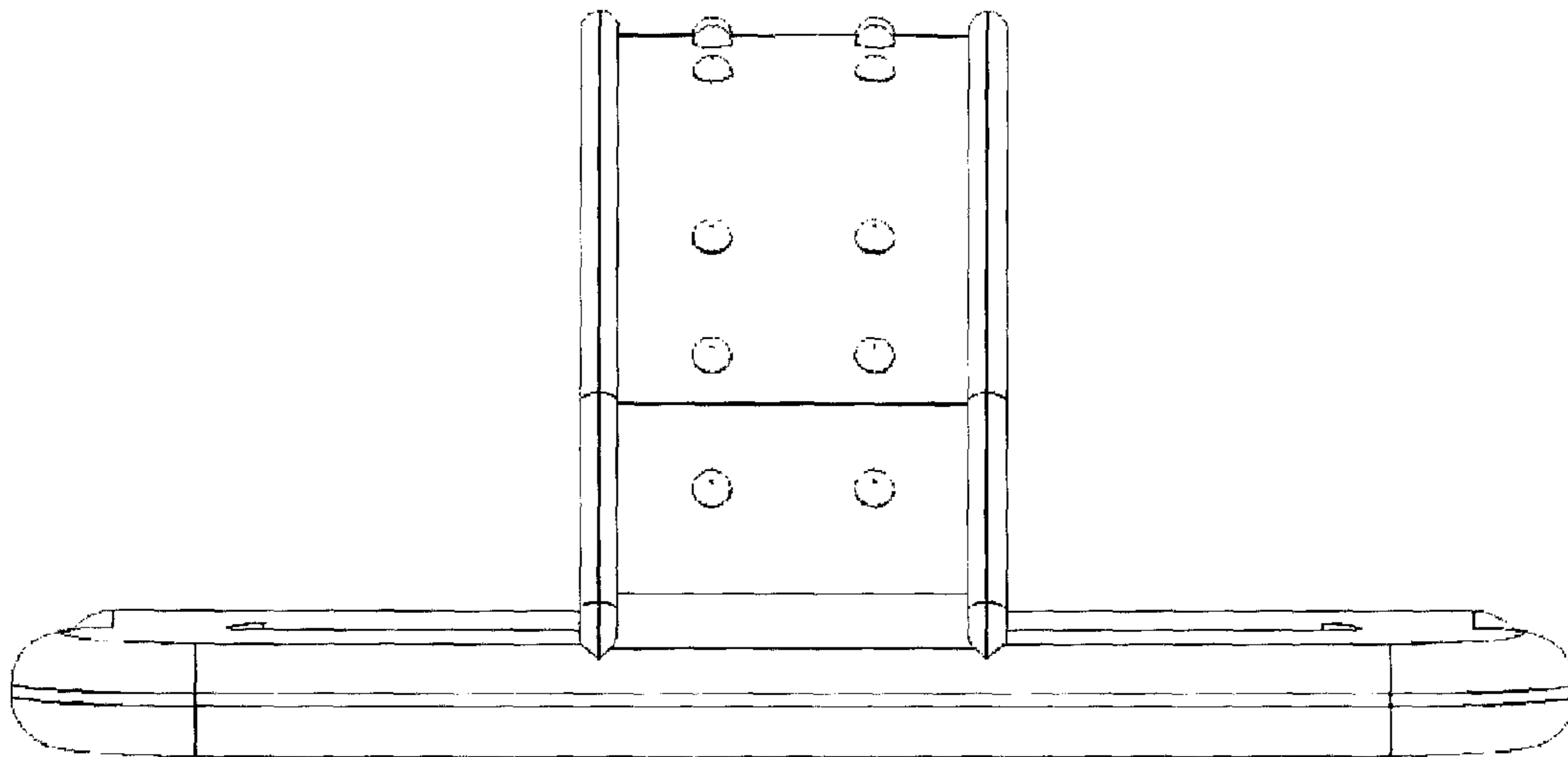


FIG. 5

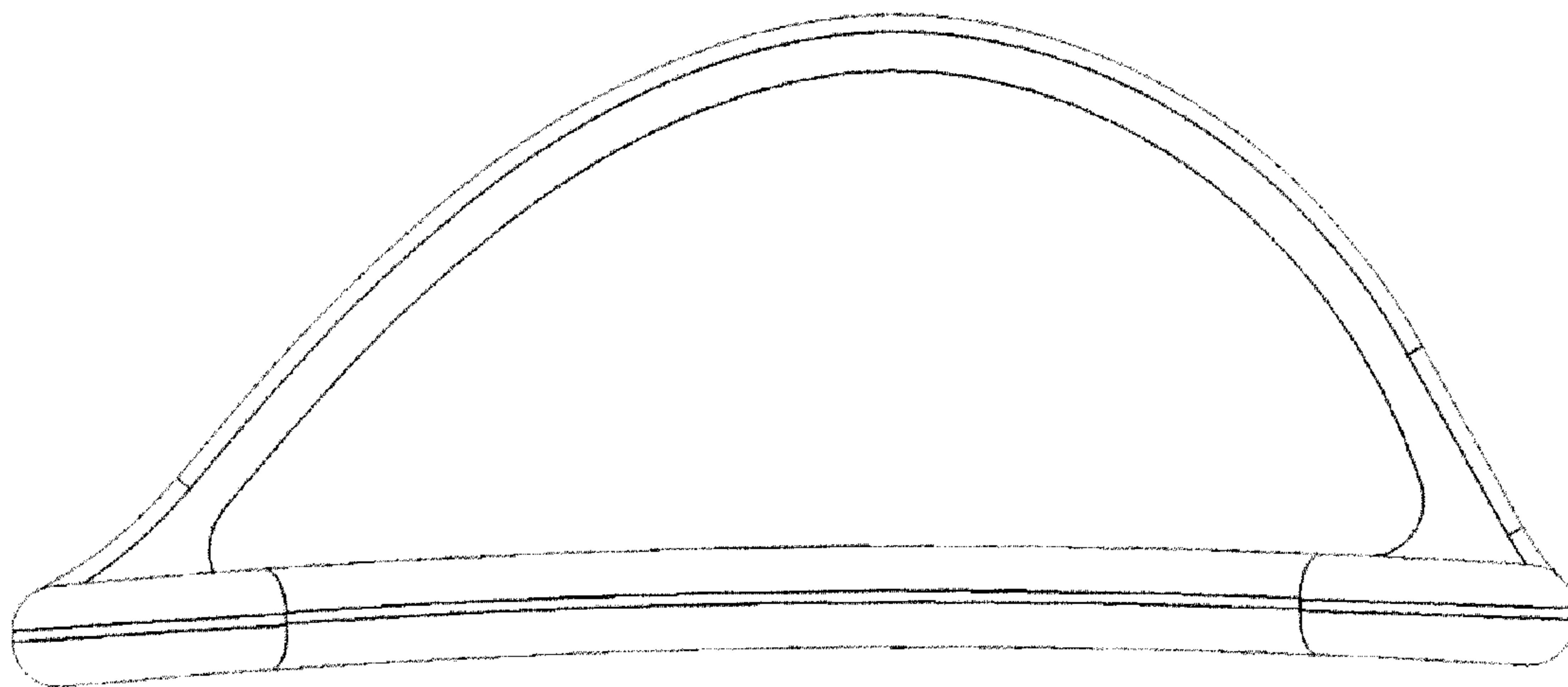


FIG. 6

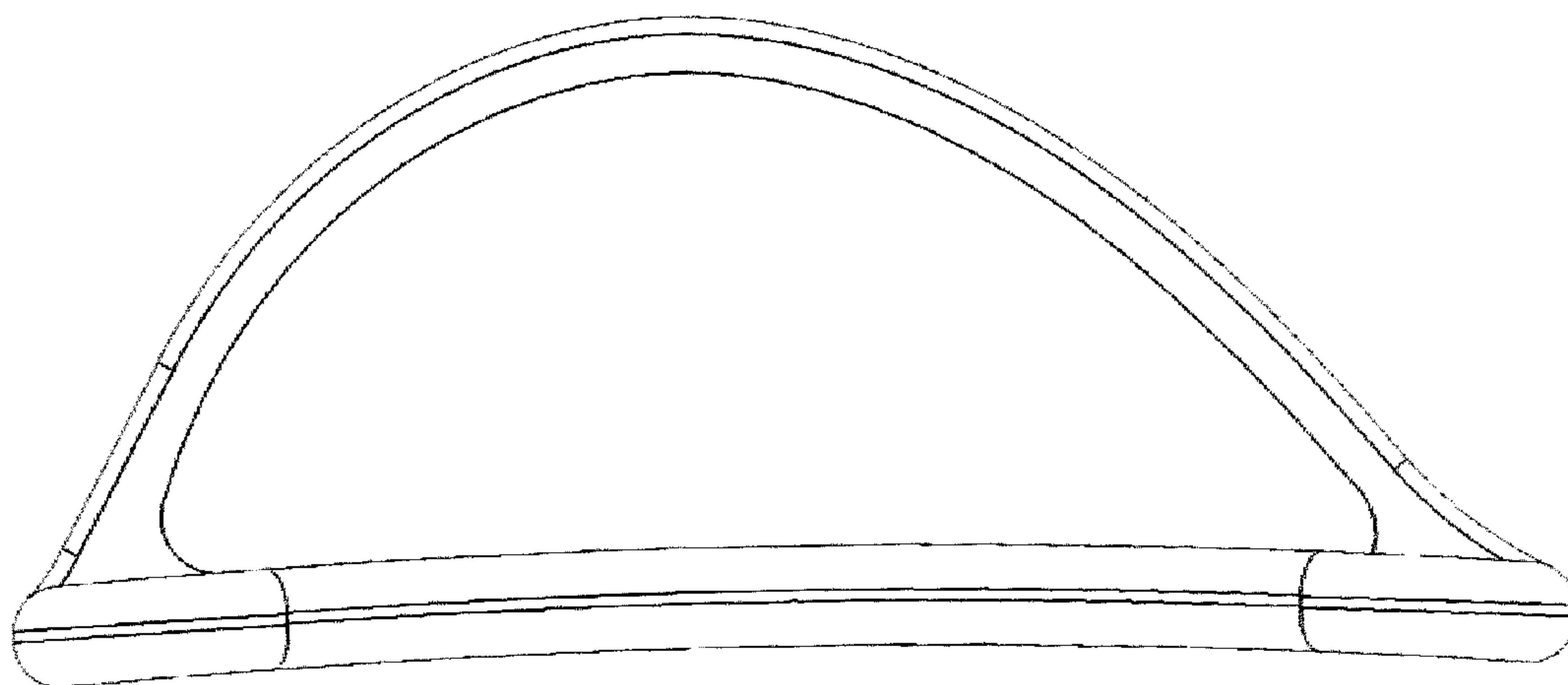


FIG. 7