



US00D672280S

(12) **United States Design Patent**  
**Schurian et al.**

(10) **Patent No.:** **US D672,280 S**

(45) **Date of Patent:** **\*\* Dec. 11, 2012**

(54) **SLIDE CONNECTOR**

(75) Inventors: **Cortland G. Schurian**, Long Beach, CA (US); **Daniel Henn**, Spring Branch, TX (US); **Steven Budrow**, Aliso Viejo, CA (US); **Michael Dancyger**, Brentwood, CA (US)

(73) Assignee: **Alexander Andrew, Inc.**, Compton, CA (US)

(\*\*) Term: **14 Years**

(21) Appl. No.: **29/396,985**

(22) Filed: **Jul. 10, 2011**

(51) **LOC (9) Cl.** ..... **02-07**

(52) **U.S. Cl.** ..... **D11/218**

(58) **Field of Classification Search** ..... D11/1-2, D11/200-201, 206-210, 214-218; 24/163 R, 24/169-171, 173, 177-179, 191, 194-195, 24/197, 200, 614-616, 625, 198

See application file for complete search history.

(56) **References Cited**

U.S. PATENT DOCUMENTS

426,523	A	*	4/1890	Carpenter	.....	2/327
4,903,377	A	*	2/1990	Doty	.....	24/194
D359,710	S	*	6/1995	Chinni et al.	.....	D11/218
D363,257	S	*	10/1995	Anscher	.....	D11/218
D365,044	S	*	12/1995	Anscher	.....	D11/218

D471,678	S	*	3/2003	Hanna	.....	D30/152
D477,692	S	*	7/2003	Hanna	.....	D30/140
D542,710	S	*	5/2007	Yoshiguchi	.....	D11/218
D591,200	S	*	4/2009	Freeman	.....	D11/218

\* cited by examiner

*Primary Examiner* — Ralf Seifert

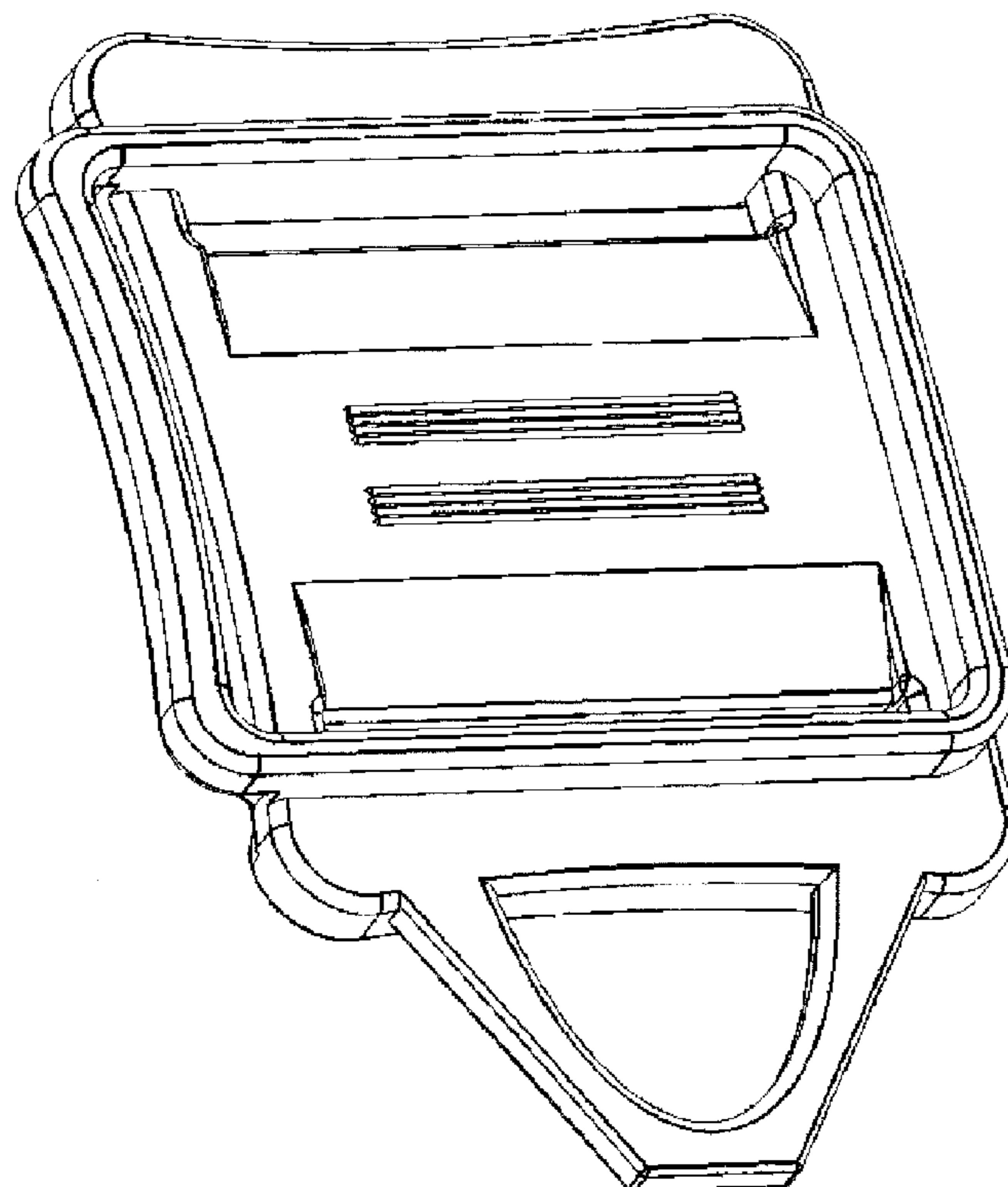
(57) **CLAIM**

The ornamental design for a slide connector, as shown and described.

**DESCRIPTION**

FIG. 1 is a perspective view of a left facing slide connector showing the first embodiment of our new design;  
 FIG. 2 illustrates a front view thereof;  
 FIG. 3 illustrates a rear view thereof;  
 FIG. 4 illustrates a top view thereof;  
 FIG. 5 illustrates a bottom view thereof;  
 FIG. 6 illustrates a left-side view thereof;  
 FIG. 7 illustrates a right-side view thereof;  
 FIG. 8 is a perspective view of a right facing slide connector showing a second embodiment our new design;  
 FIG. 9 illustrates a front view of FIG. 8;  
 FIG. 10 illustrates a rear view of FIG. 8;  
 FIG. 11 illustrates a top view thereof;  
 FIG. 12 illustrates a bottom view of FIG. 8;  
 FIG. 13 illustrates a left-side view of FIG. 8; and,  
 FIG. 14 illustrates a right-side view of FIG. 8.

**1 Claim, 10 Drawing Sheets**



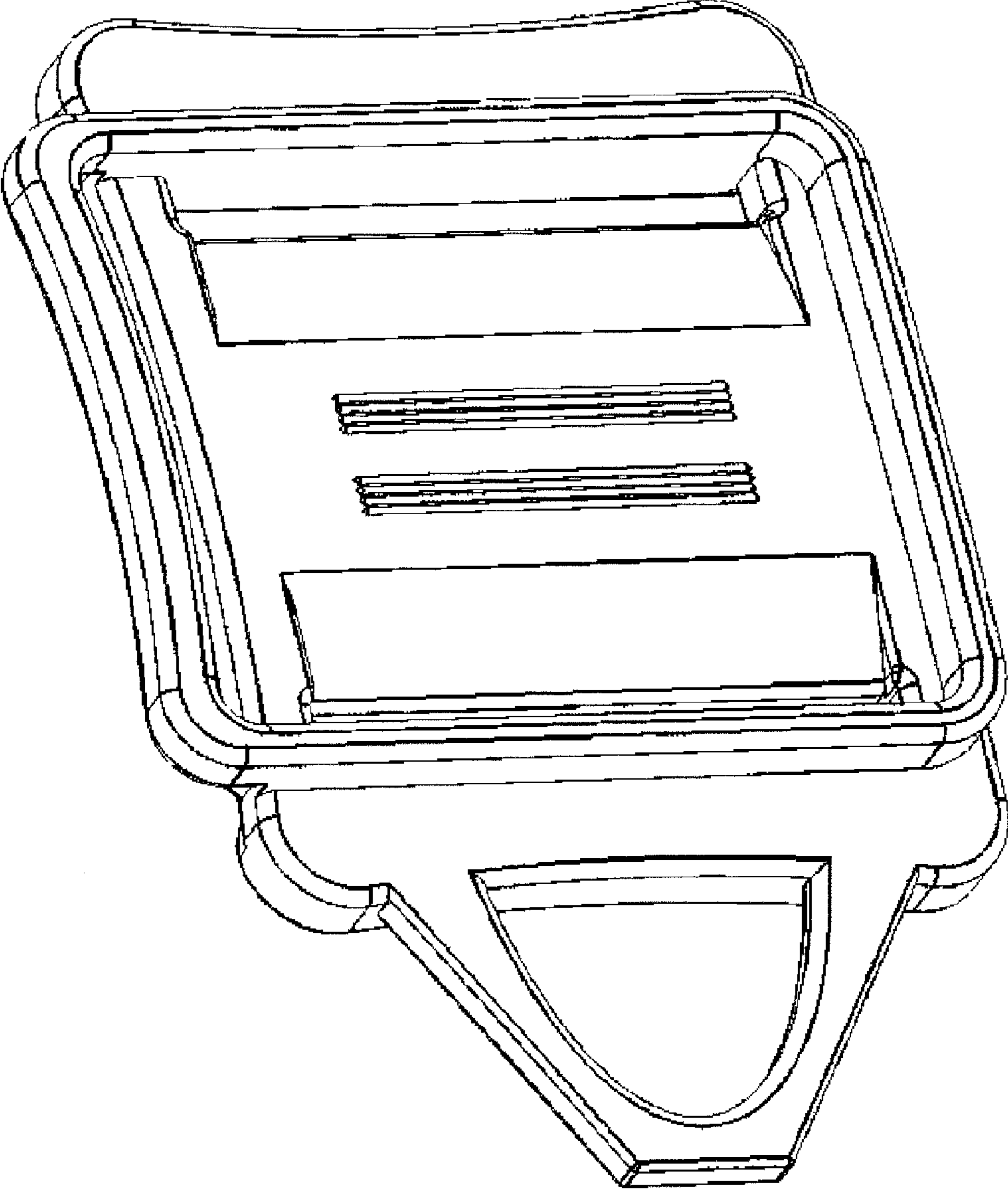


FIG. 1

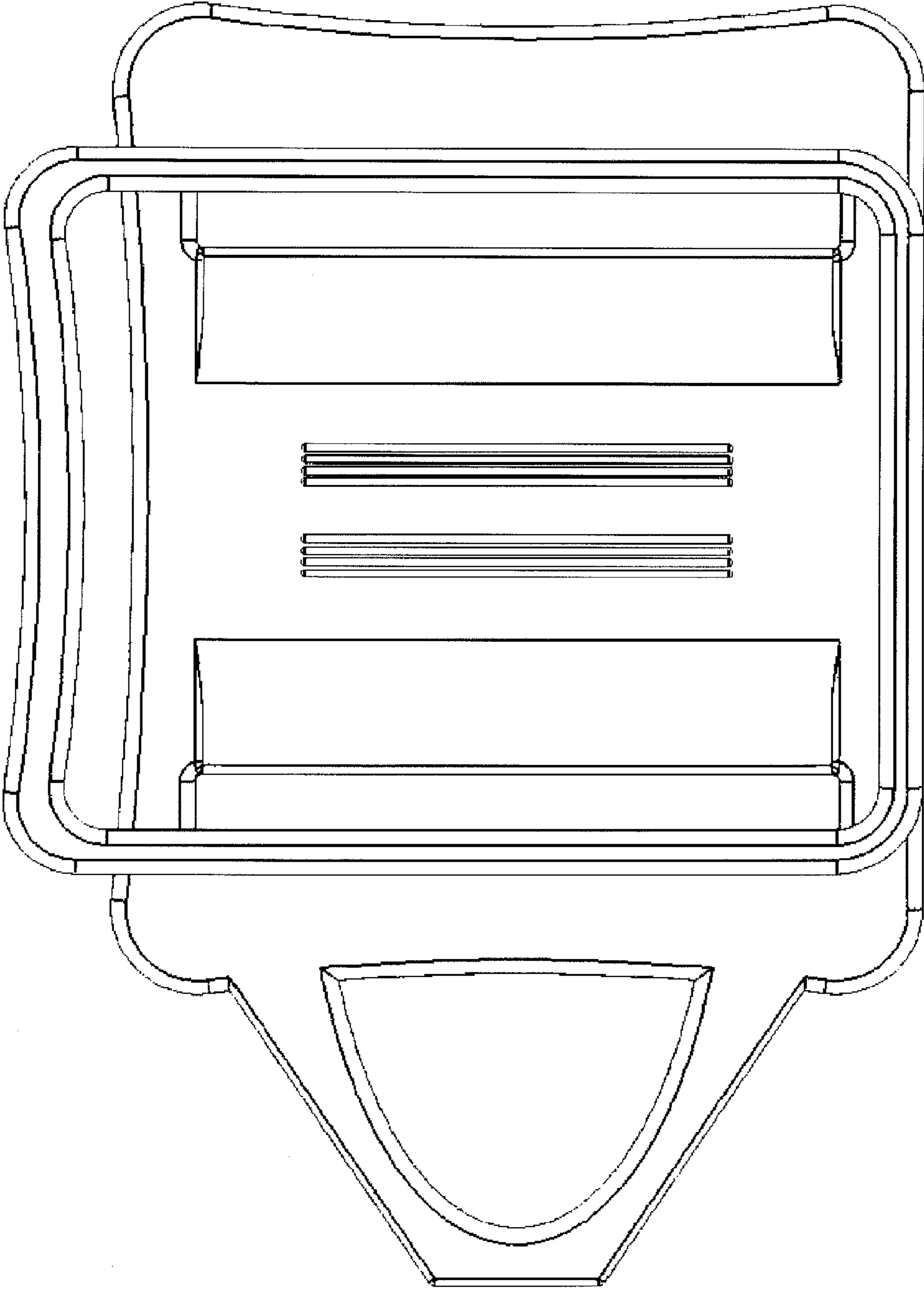


FIG.2

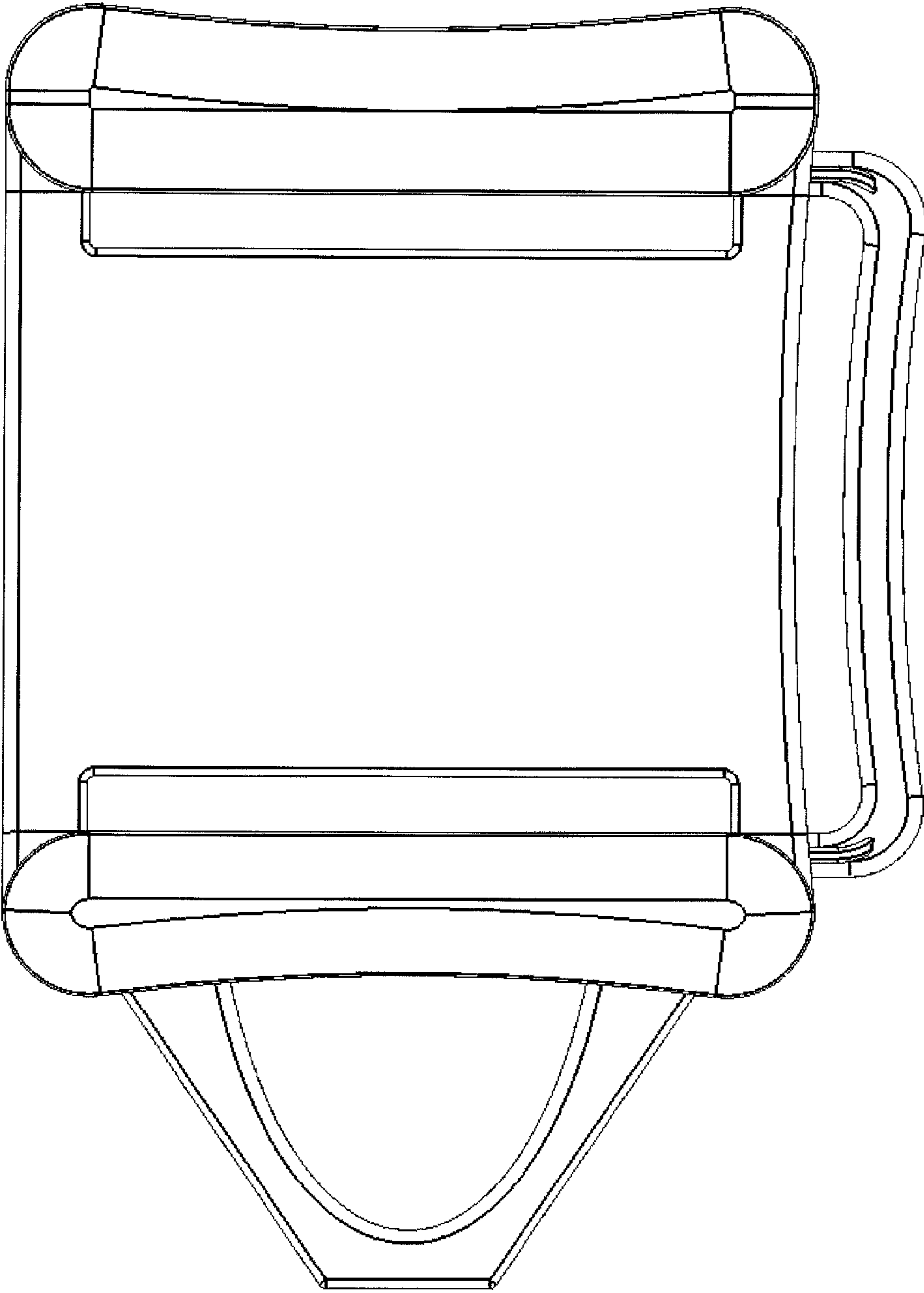


FIG. 3

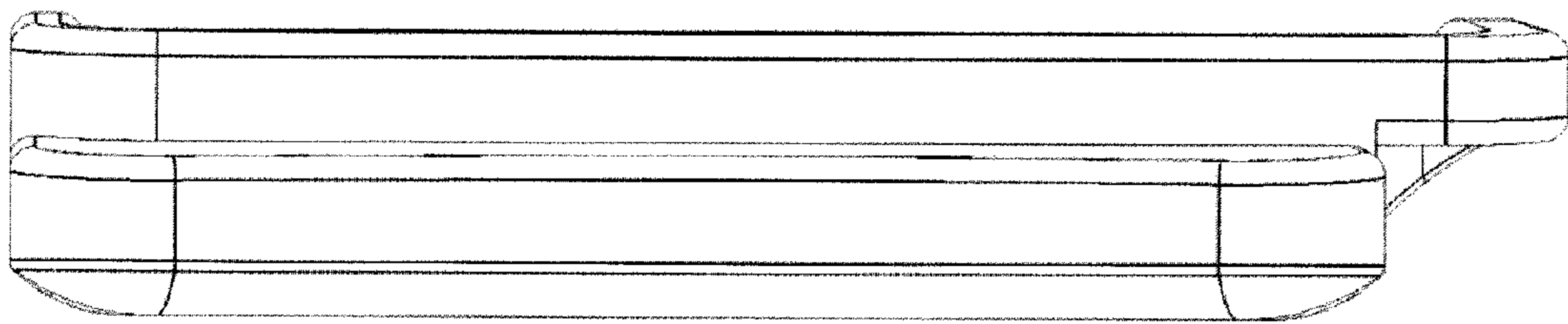


FIG. 4

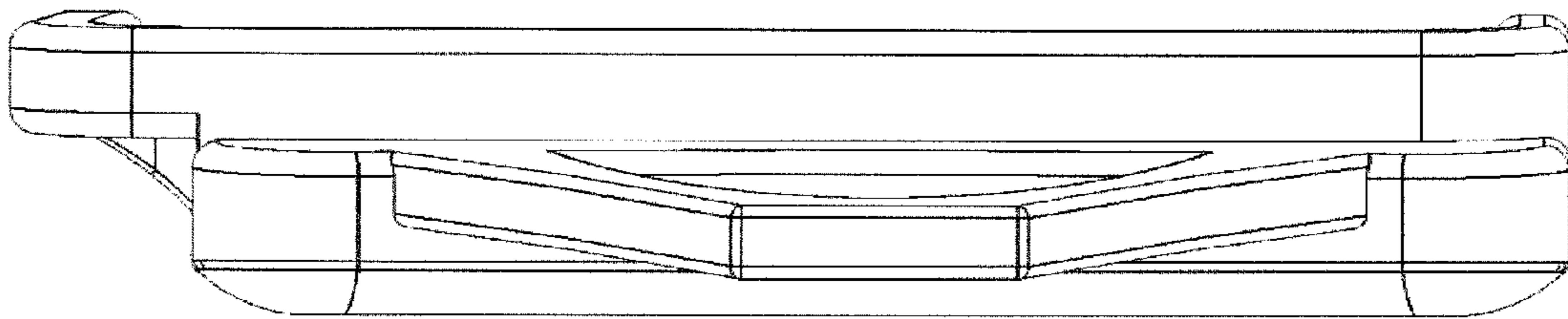


FIG. 5

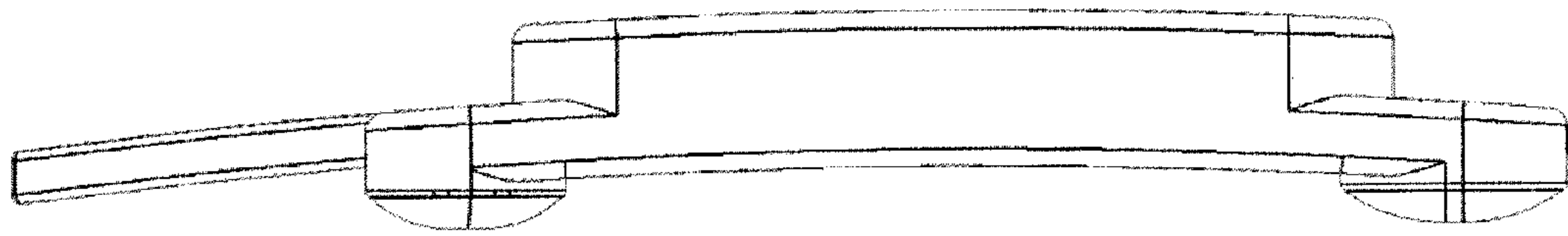


FIG. 6

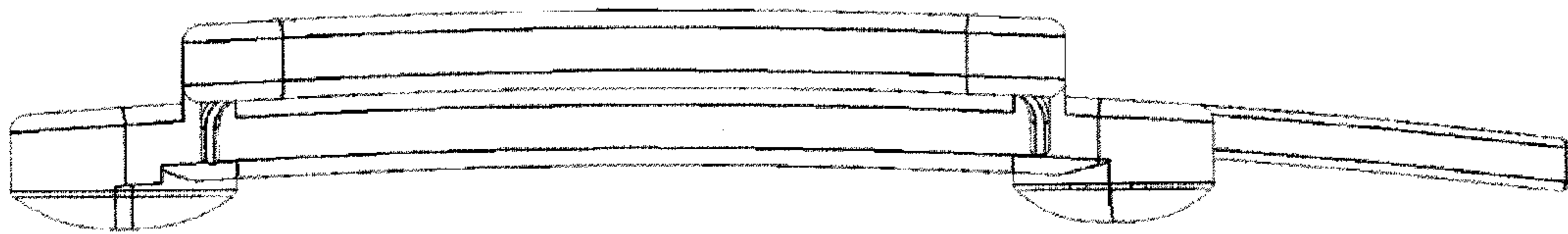


FIG. 7

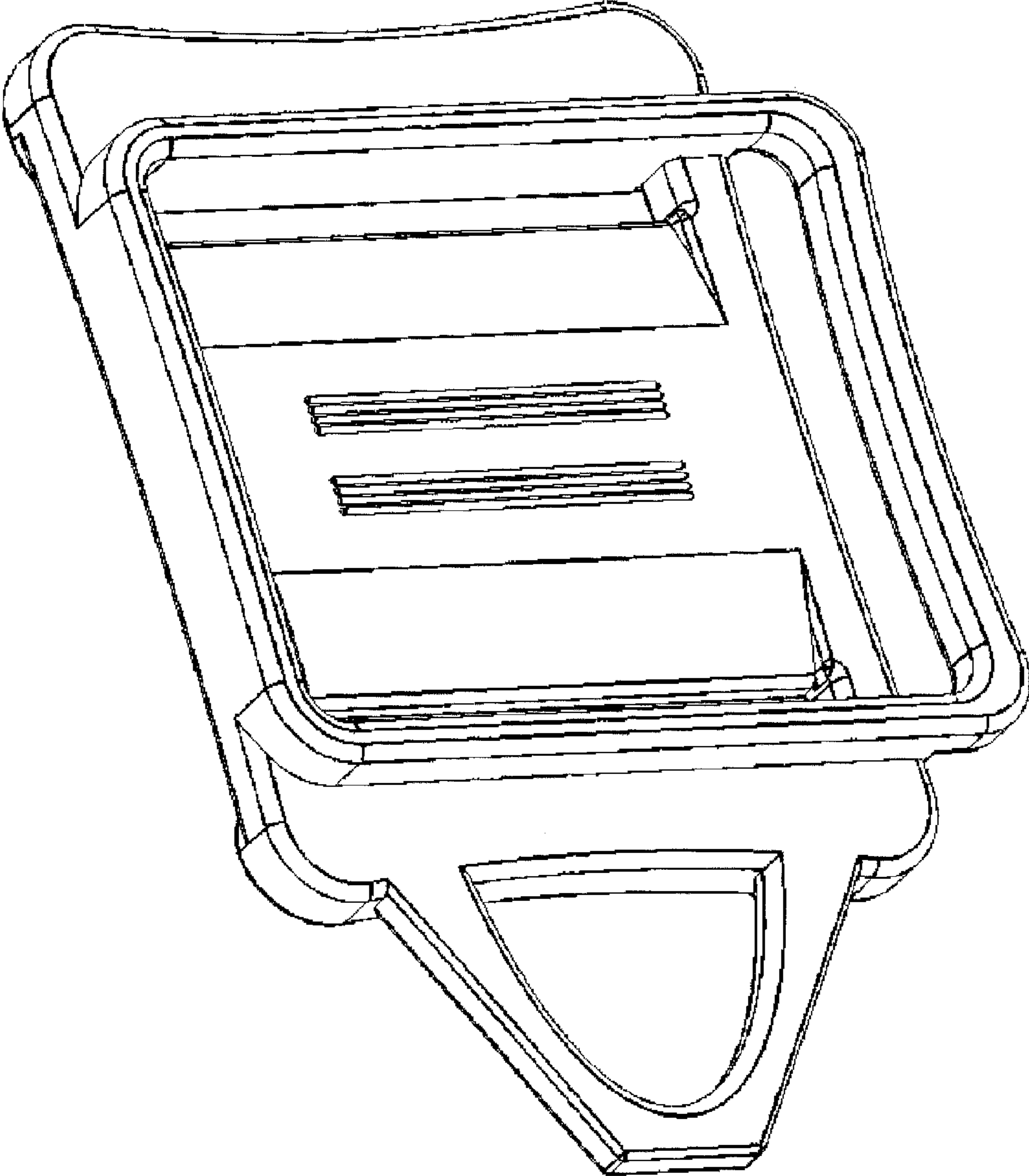


FIG. 8

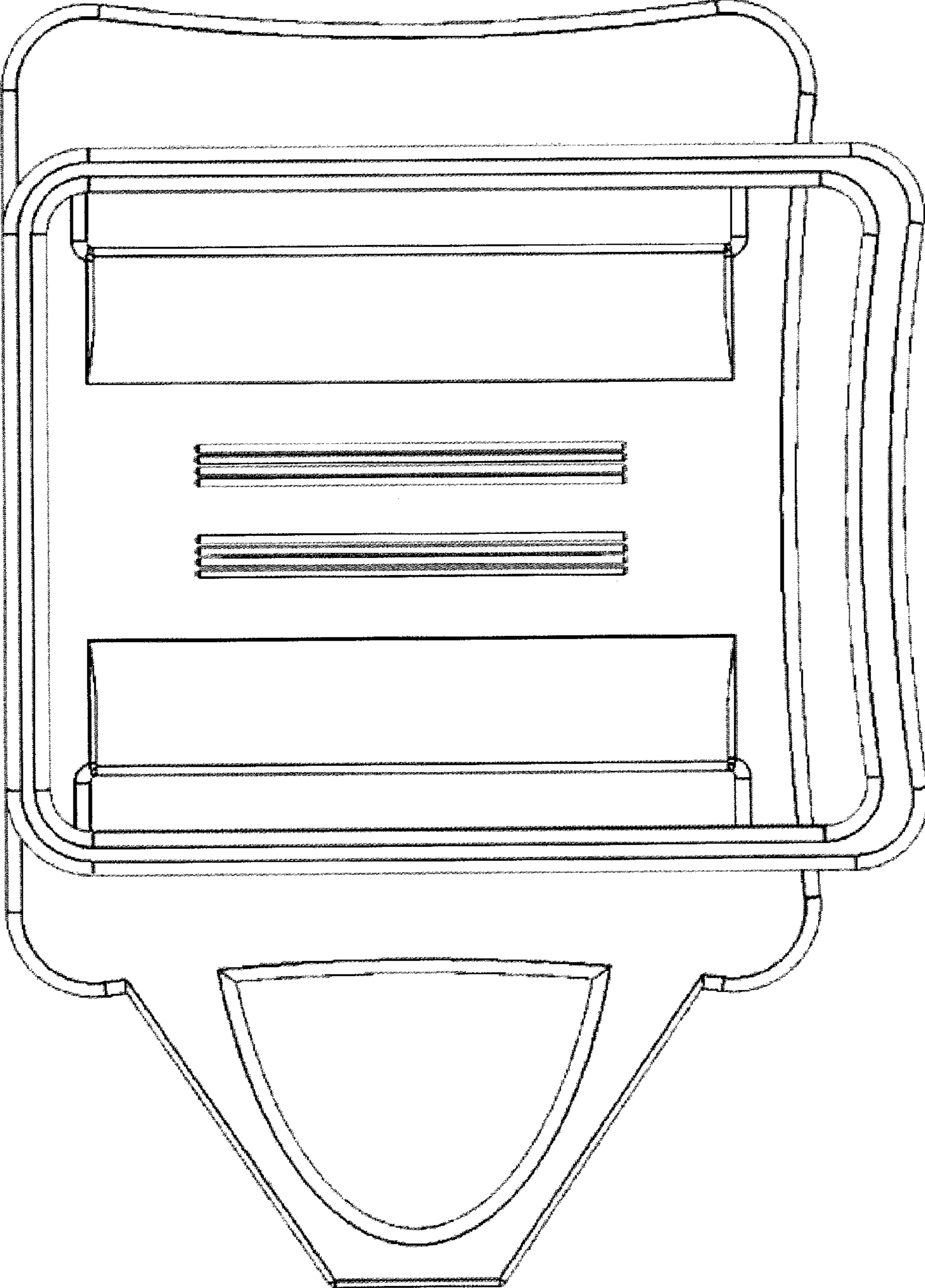


FIG. 9



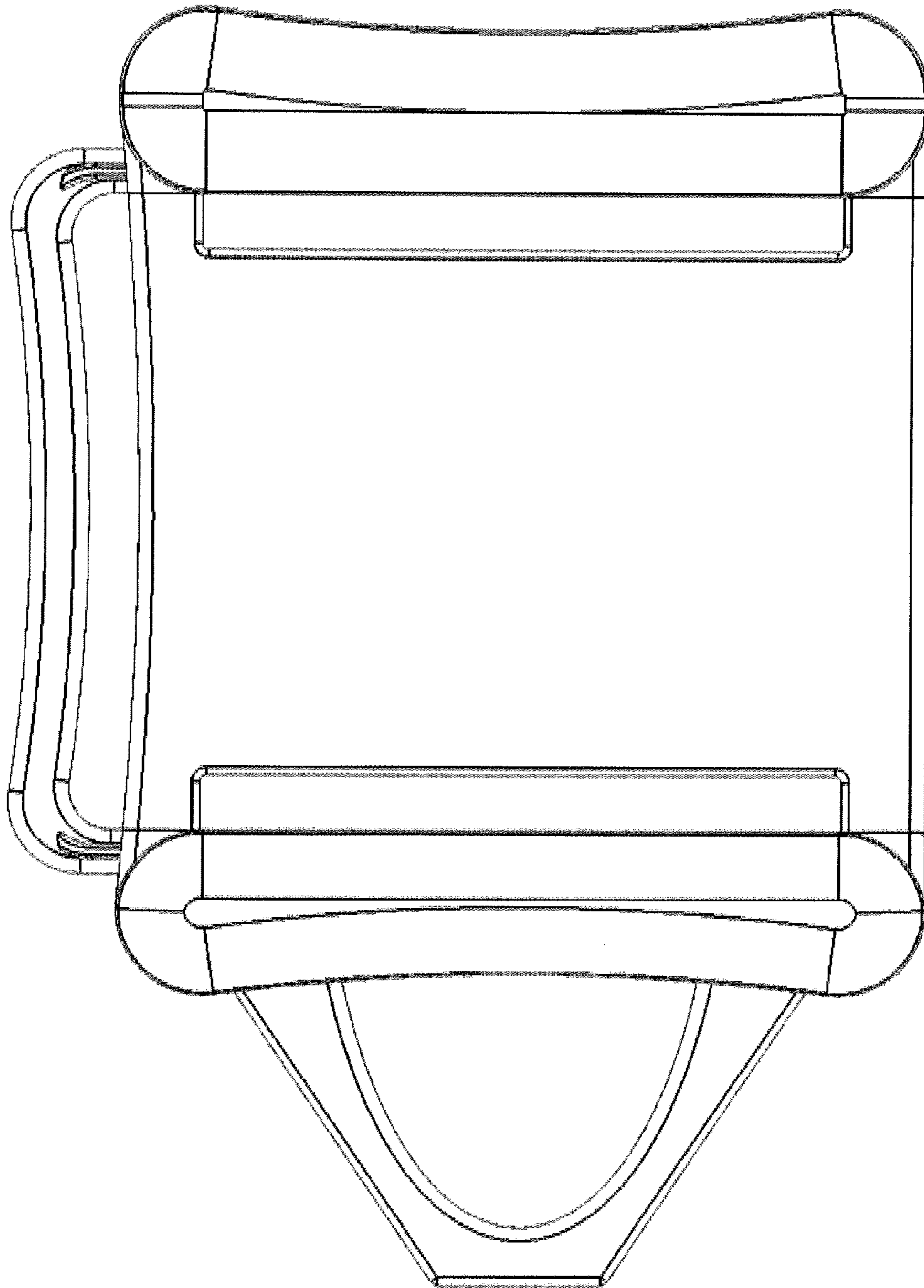


FIG. 10

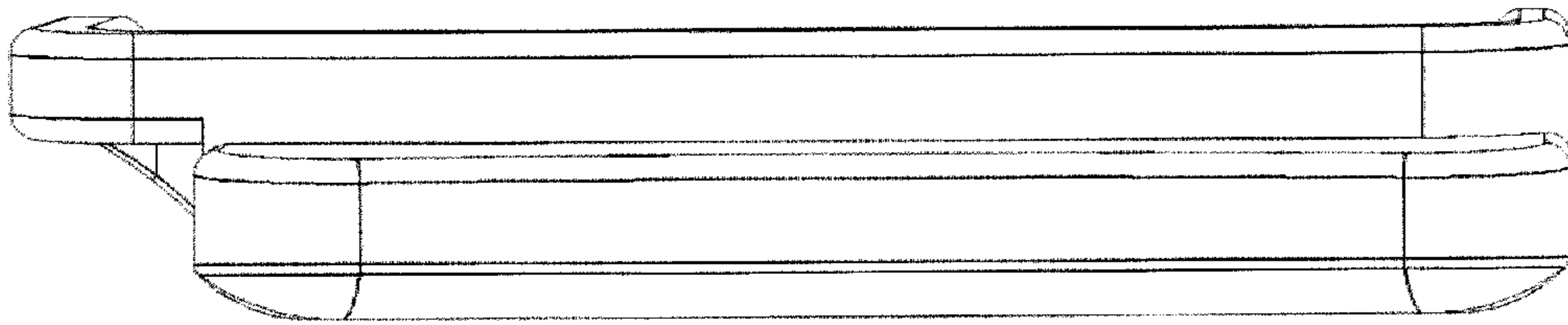


FIG. 11

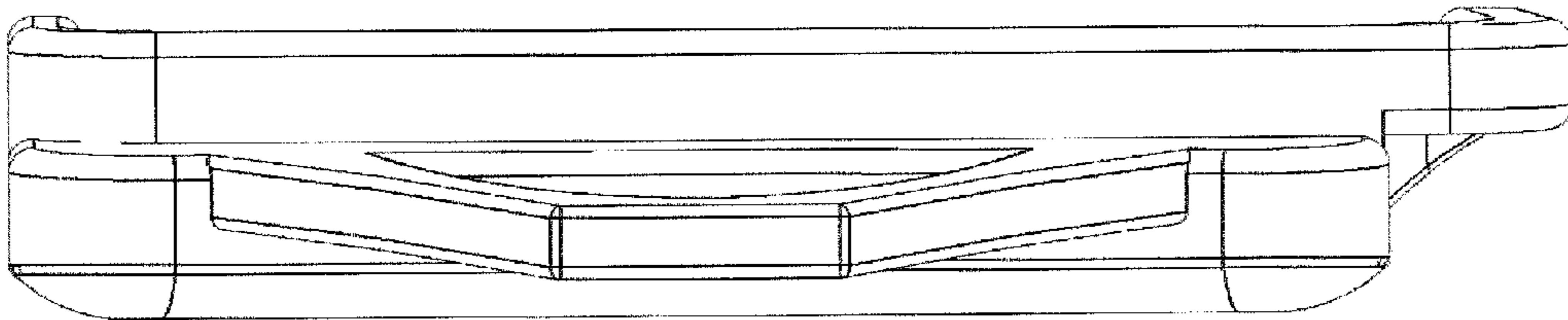


FIG. 12

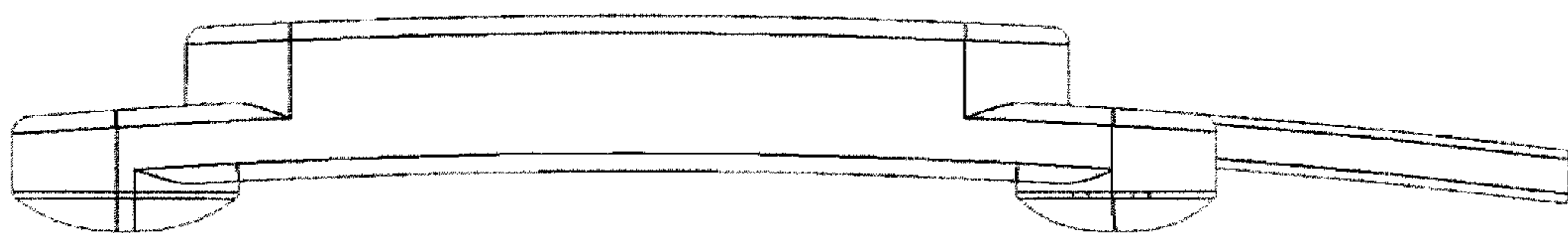


FIG. 13

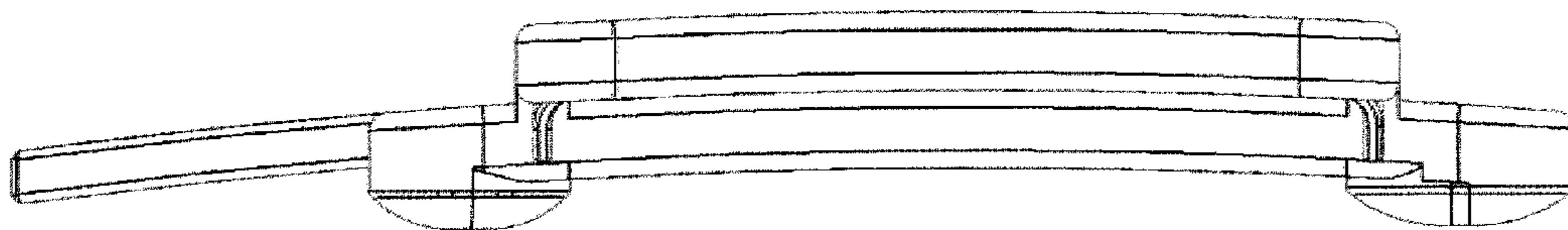


FIG. 14