



US00D672271S

(12) **United States Design Patent**  
**Ellis**

(10) **Patent No.:** **US D672,271 S**

(45) **Date of Patent:** **\*\* Dec. 11, 2012**

(54) **COMMEMORATIVE PLAQUE**

(76) Inventor: **Clifford E Ellis**, Westover, WV (US)

(\*\*) Term: **14 Years**

(21) Appl. No.: **29/409,616**

(22) Filed: **Dec. 27, 2011**

(51) **LOC (9) Cl.** ..... **11-02**

(52) **U.S. Cl.** ..... **D11/132**

(58) **Field of Classification Search** ..... D11/132-134;  
428/542.2, 542.4, 542.6, 913.3; D99/17-24  
See application file for complete search history.

(56) **References Cited**

**U.S. PATENT DOCUMENTS**

D49,337 S *	7/1916	Graham	.....	D99/21
D49,341 S *	7/1916	Graham	.....	D99/17
D49,342 S *	7/1916	Graham	.....	D99/21
D66,422 S *	1/1925	Ladewich	.....	D99/19
D66,773 S *	3/1925	Ladewich	.....	D99/19
D67,409 S *	5/1925	Ladewich	.....	D99/19
3,142,934 A *	8/1964	Mehling	.....	47/39
D245,491 S *	8/1977	Siegel	.....	D11/139
4,042,244 A *	8/1977	Kakovitch	.....	273/109
4,043,084 A *	8/1977	Kuris	.....	451/37
D259,369 S *	5/1981	Splendora	.....	D99/24
5,118,171 A *	6/1992	Ortiz	.....	312/114
D356,977 S *	4/1995	Roethler	.....	D11/133
D359,255 S *	6/1995	Williams	.....	D11/132
5,453,307 A *	9/1995	Rezmer	.....	428/16
D374,840 S *	10/1996	Levy et al.	.....	D11/132
D387,567 S *	12/1997	Queen	.....	D6/300

D405,720 S *	2/1999	Sain	.....	D11/133
D408,757 S *	4/1999	Stones	.....	D11/132
D461,616 S *	8/2002	Stein	.....	D99/19
D483,689 S *	12/2003	Harper	.....	D11/133
D515,969 S *	2/2006	Hines	.....	D11/132
D526,594 S *	8/2006	Banman	.....	D11/132
D544,398 S *	6/2007	Banman	.....	D11/132
D591,196 S *	4/2009	LaBlanc	.....	D11/132
D609,603 S *	2/2010	Green	.....	D11/132
D649,364 S *	11/2011	Chiu	.....	D6/308
2010/0034991 A1 *	2/2010	Stepka	.....	428/14

\* cited by examiner

*Primary Examiner* — T. Chase Nelson

*Assistant Examiner* — Michelle E Wilson

(74) *Attorney, Agent, or Firm* — Dinsmore & Shohl LLP;  
Monika J. Hussell

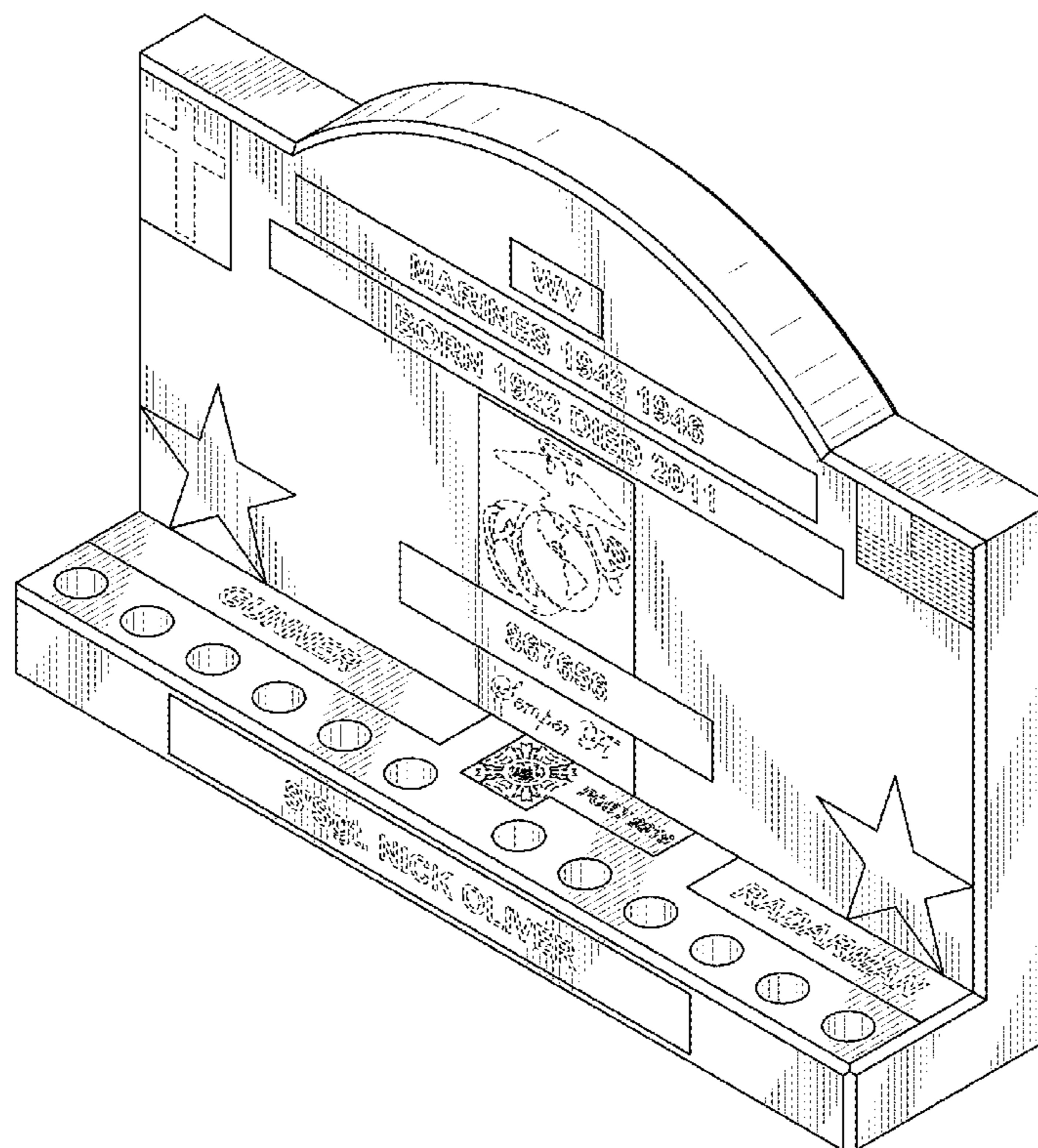
(57) **CLAIM**

The ornamental design for a commemorative plaque, as shown and described.

**DESCRIPTION**

FIG. 1 is a perspective view of a commemorative plaque illustrating my new design;  
FIG. 2 is a front view thereof;  
FIG. 3 is a back view thereof;  
FIGS. 4 and 5 are respective side views thereof;  
FIG. 6 is a top view thereof; and,  
FIG. 7 is a bottom view of my commemorative plaque.  
The broken lines are provided to illustrate individual specifics that forms no part of the claim design.

**1 Claim, 5 Drawing Sheets**



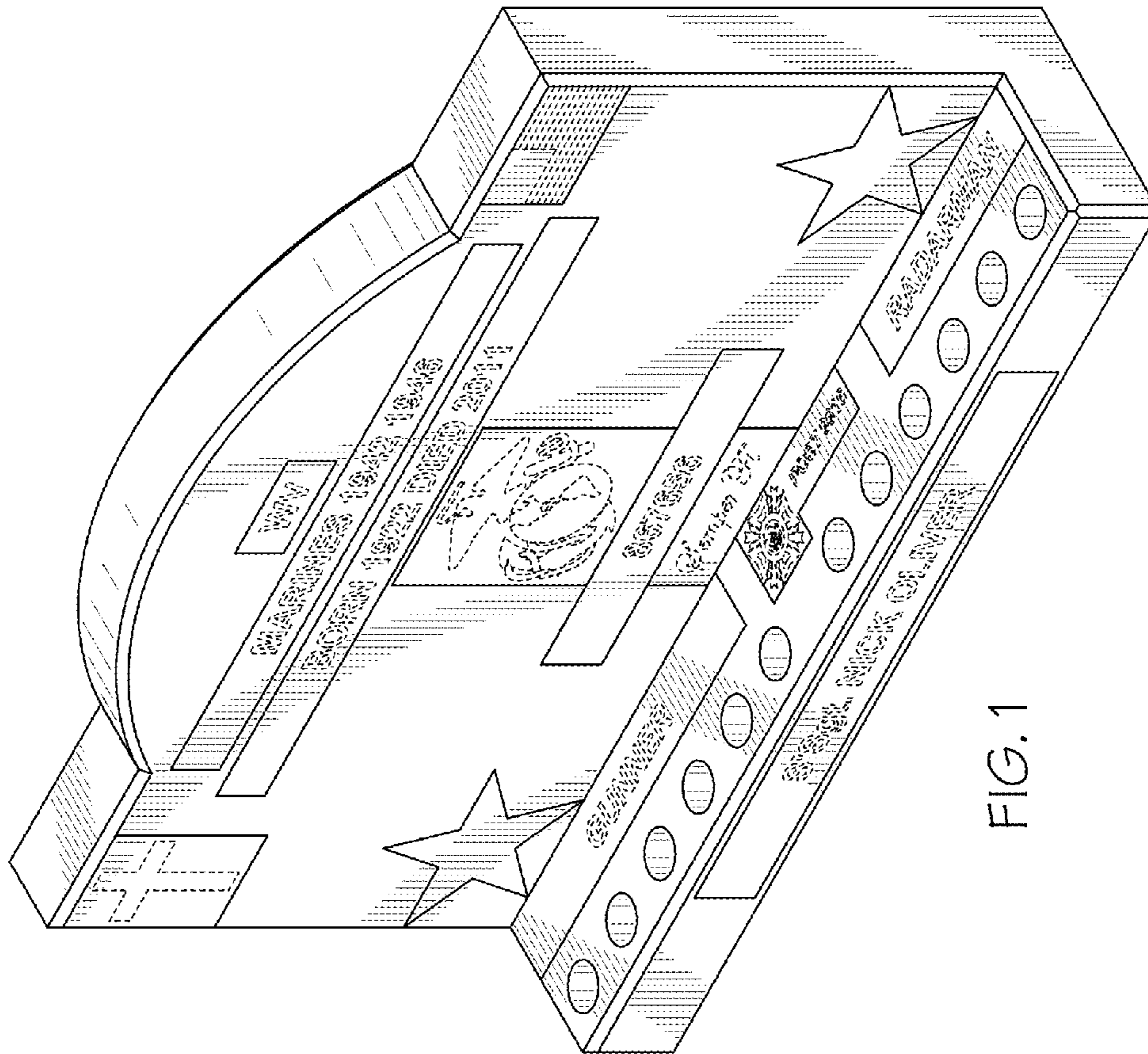


FIG. 1

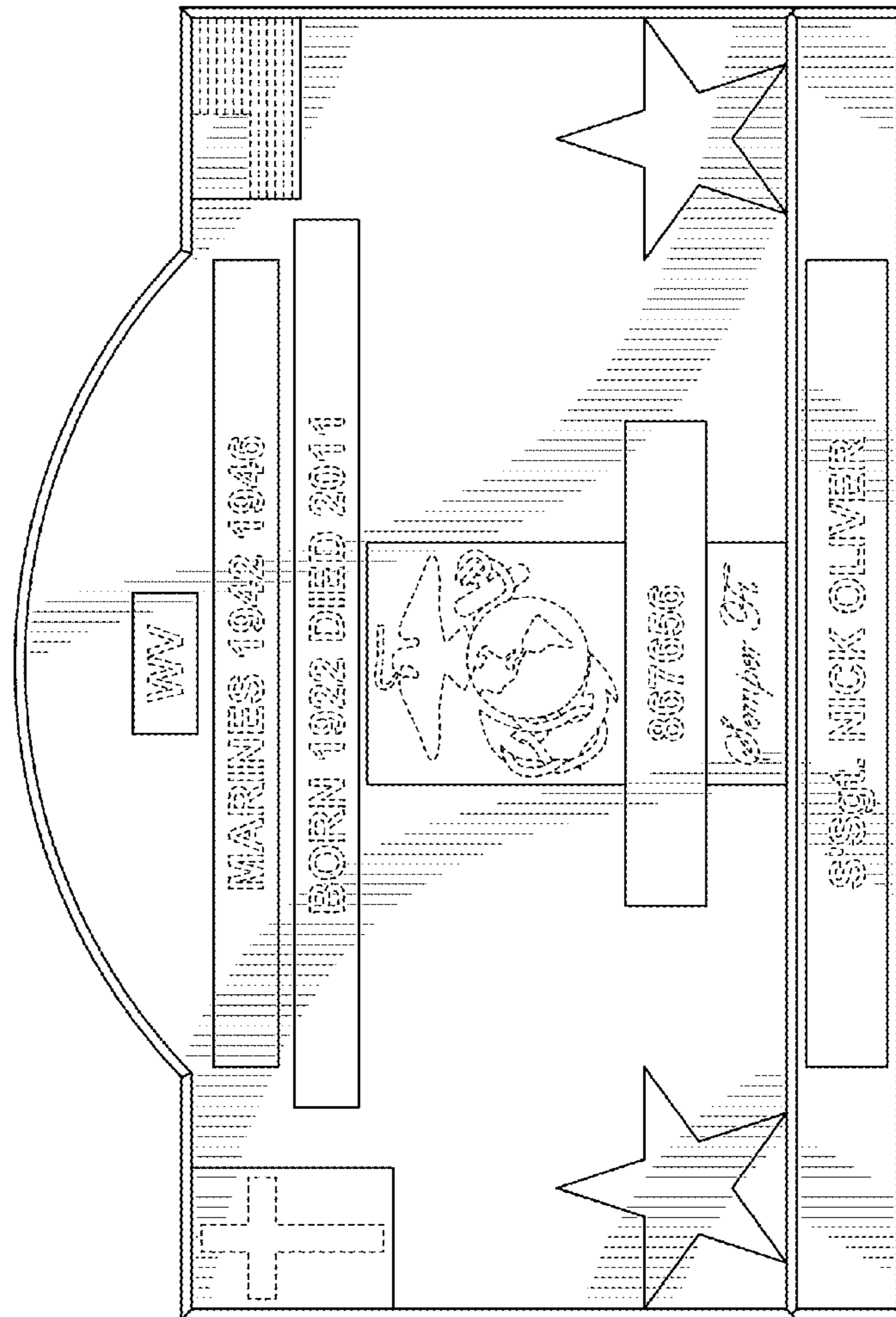


FIG. 2

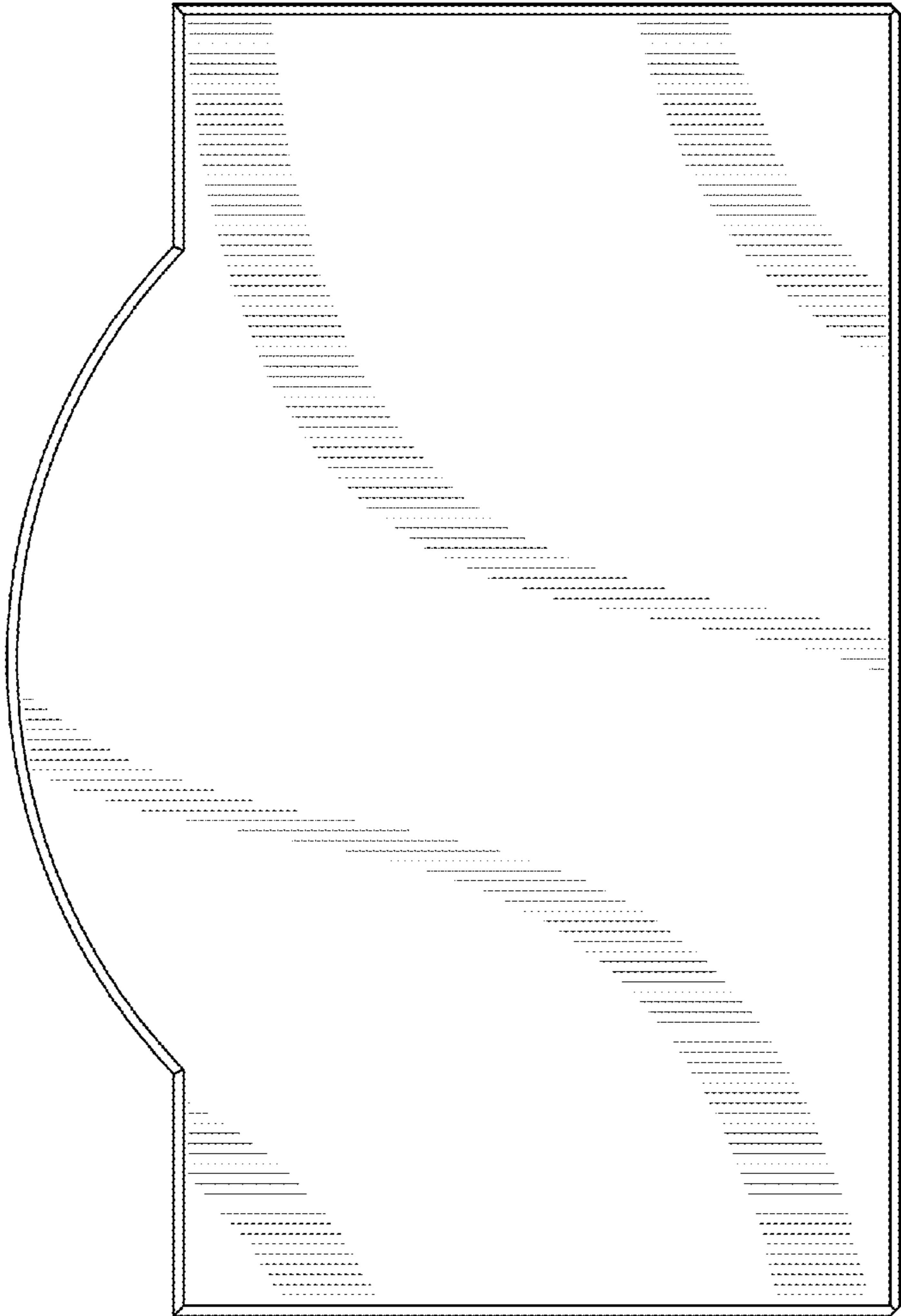


FIG. 3



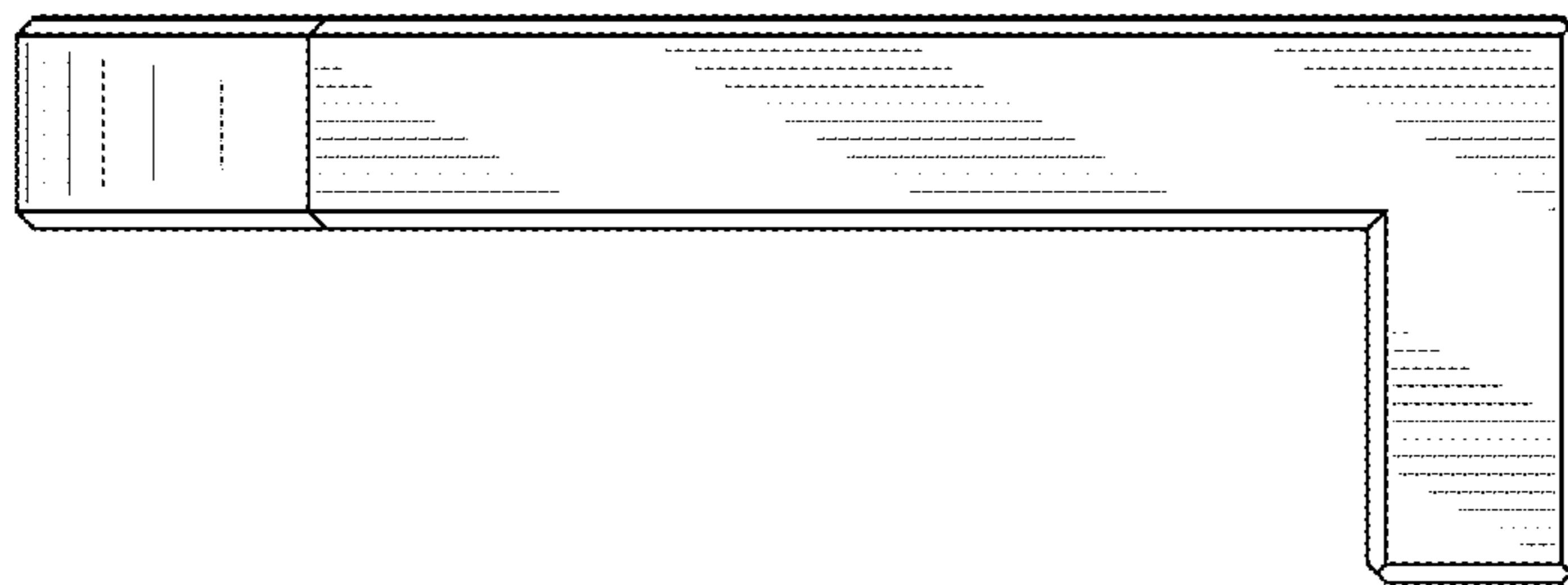


FIG. 5

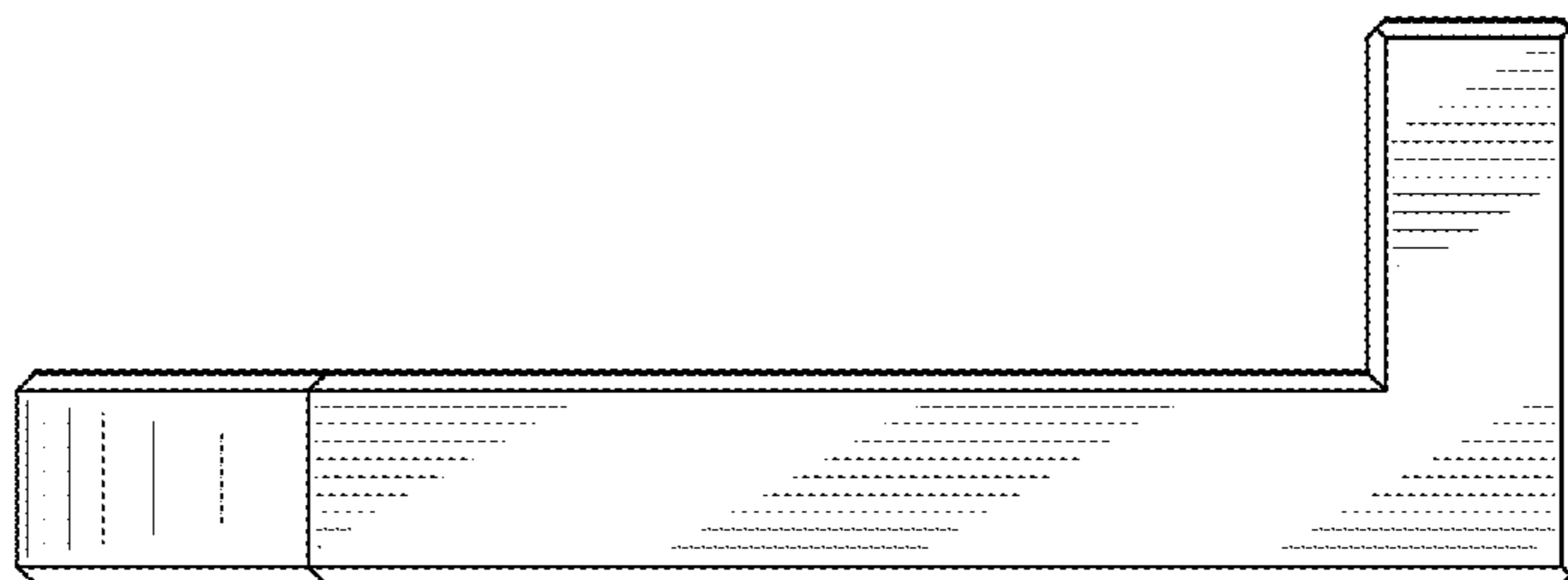


FIG. 4

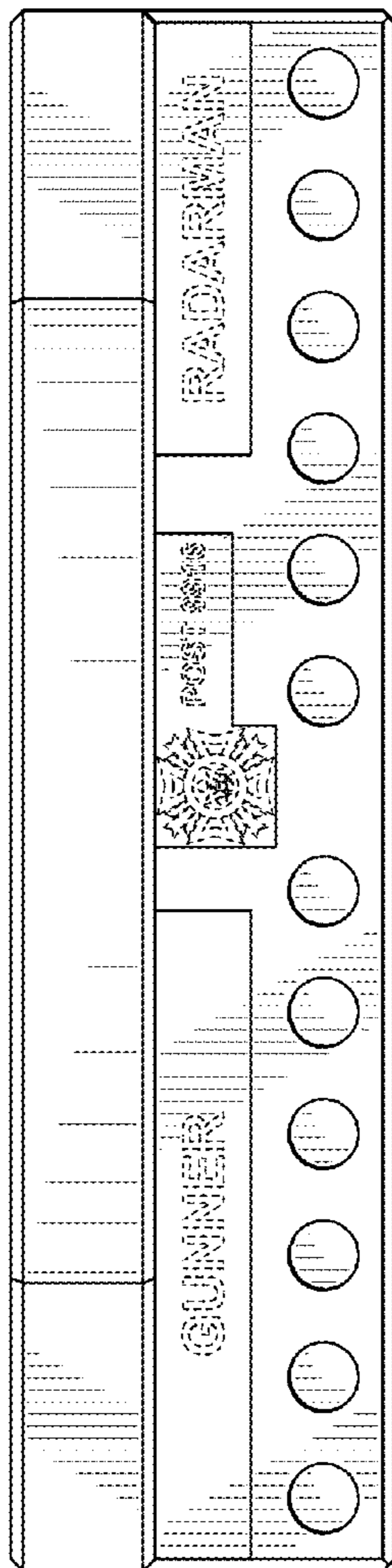


FIG. 6

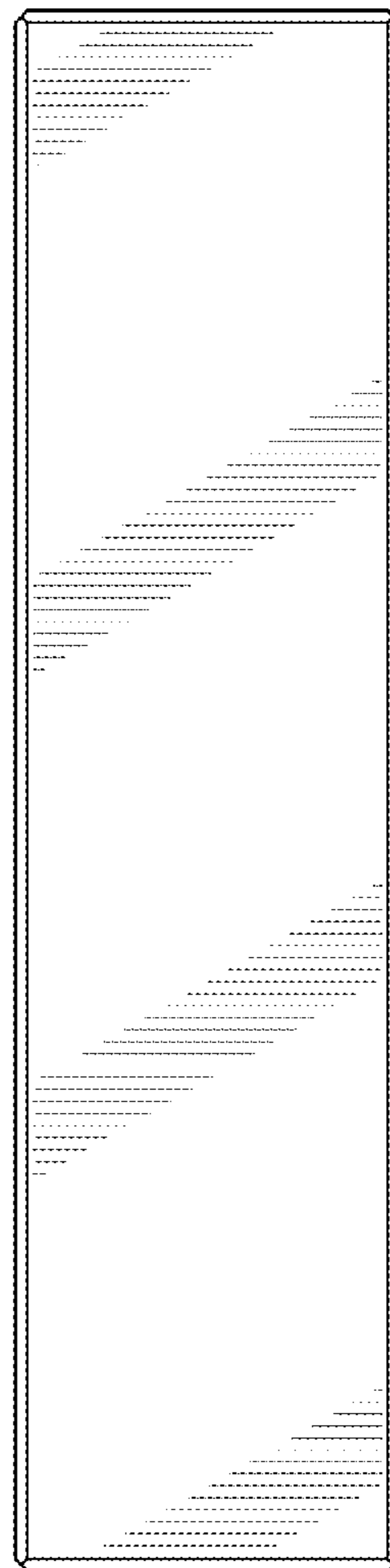


FIG. 7