

US00D672265S

(12) **United States Design Patent**
Pulli

(10) **Patent No.:** **US D672,265 S**

(45) **Date of Patent:** **** Dec. 11, 2012**

(54) **ADAPTOR FOR RECEIVING THE HEAD OF A WATCH**

(76) Inventor: **Brett Pulli**, Ambler, PA (US)

(**) Term: **14 Years**

(21) Appl. No.: **29/426,583**

(22) Filed: **Jul. 6, 2012**

(51) **LOC (9) Cl.** **10-07**

(52) **U.S. Cl.** **D10/128; D10/38; D10/132**

(58) **Field of Classification Search** D10/30-39,
D10/122-132; 368/276, 281, 282, 283, 286,
368/316; 224/152, 164, 170
See application file for complete search history.

D418,761 S	1/2000	Iwamoto	
D426,777 S	6/2000	Tomimatsu	
D430,808 S	9/2000	Hanagata	
D441,302 S	5/2001	Tomimatsu	
D454,078 S	3/2002	Koo	
D504,830 S	5/2005	Sugisawa	
D509,216 S	9/2005	Yamamoto et al.	
D526,575 S *	8/2006	Shiraishi et al.	D10/38
D549,597 S	8/2007	Kraus et al.	
D552,491 S *	10/2007	Vidal	D10/38
D574,262 S *	8/2008	Martinez et al.	D10/32
D591,620 S *	5/2009	Giannini	D10/32
D602,386 S	10/2009	Ueda et al.	
D619,909 S *	7/2010	Moriai et al.	D10/39
D657,262 S	4/2012	Pulli	
D658,081 S *	4/2012	Akagi et al.	D10/39
D664,450 S *	7/2012	Syoubayashi	D10/39

* cited by examiner

Primary Examiner — Lucy Lieberman

(74) *Attorney, Agent, or Firm* — Paul Diamond, Esq.;
Diamond Law Office, LLC

(56) **References Cited**

U.S. PATENT DOCUMENTS

1,195,299 A *	8/1916	Wachter	368/289
1,264,650 A *	4/1918	Horcasitas	368/288
1,986,328 A *	1/1935	Dreyfus	368/283
2,032,696 A *	3/1936	Goldblatt	368/174
2,473,226 A *	6/1949	Sheldon	224/219
2,527,090 A *	10/1950	Bauman	224/152
3,039,263 A *	6/1962	Wyler et al.	368/282
4,835,750 A *	5/1989	Quincey	368/286
D312,793 S	12/1990	Fujiwara	
D320,750 S *	10/1991	Kawashima	D10/39
D348,010 S	6/1994	Riley	
D378,666 S	4/1997	Kojima	
5,668,784 A *	9/1997	Iguchi	368/282
D386,980 S *	12/1997	Houlihan	D10/32
D387,679 S	12/1997	Hanagata	
D389,070 S	1/1998	Galli	
D401,162 S	11/1998	Ishizaka et al.	
D402,565 S	12/1998	Sato et al.	
5,899,370 A *	5/1999	Bould	224/175
D411,956 S	7/1999	Sugita et al.	
D413,527 S	9/1999	Hanagata	
D417,158 S *	11/1999	Krauss	D10/30

(57) **CLAIM**

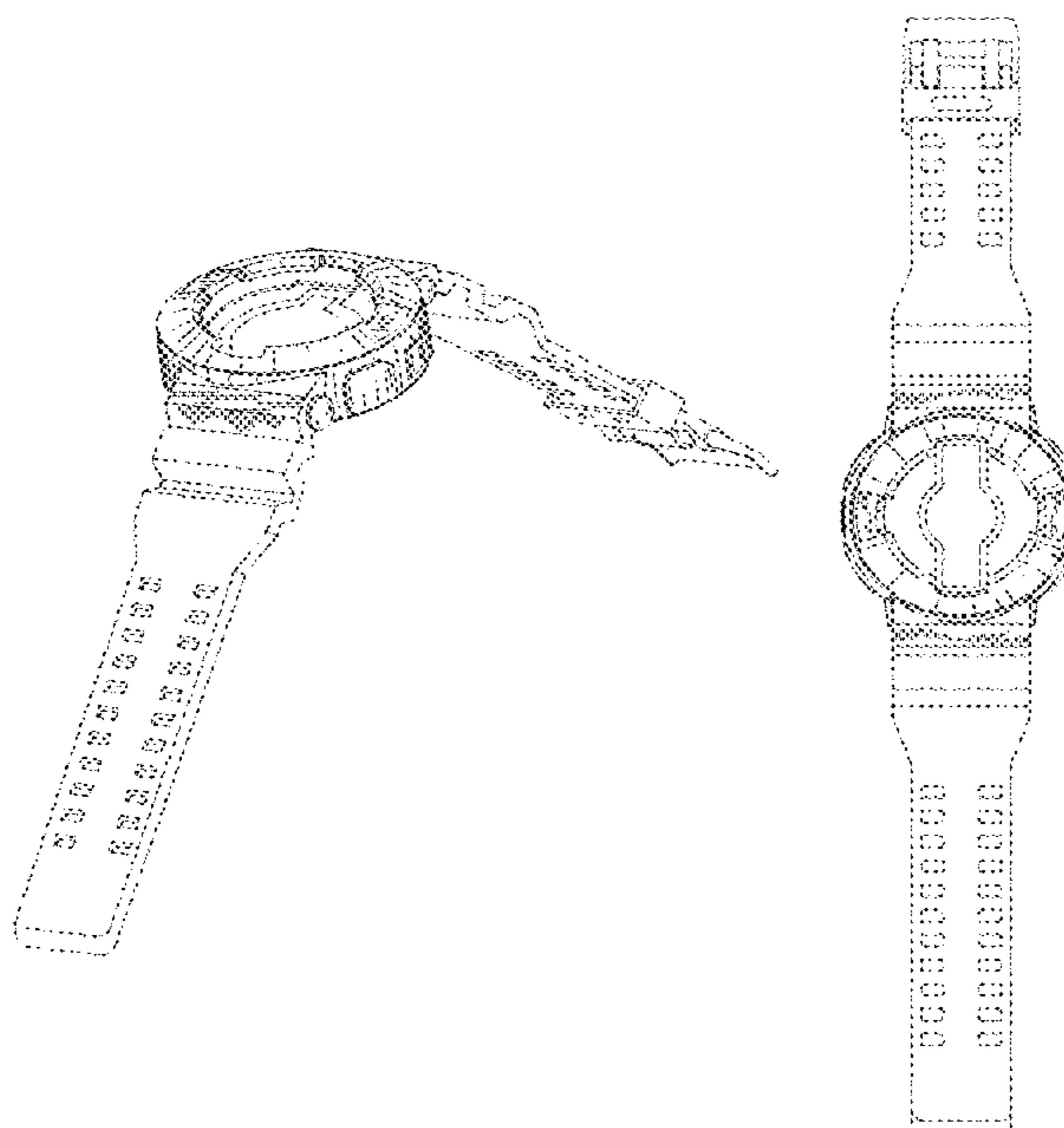
The ornamental design for an adaptor for receiving the head of a watch, as shown and described.

DESCRIPTION

FIG. 1 is a perspective view of my new design for an adaptor for receiving the head of a watch;
FIG. 2 is a front view thereof;
FIG. 3 is a rear view thereof;
FIG. 4 is a left side elevational view thereof, the right side elevational view being a mirror image;
FIG. 5 is a bottom view thereof; and,
FIG. 6 is a top view thereof.

The portions of the article encompassed by broken lines in the accompanying figures form no part of the claimed design.

1 Claim, 4 Drawing Sheets



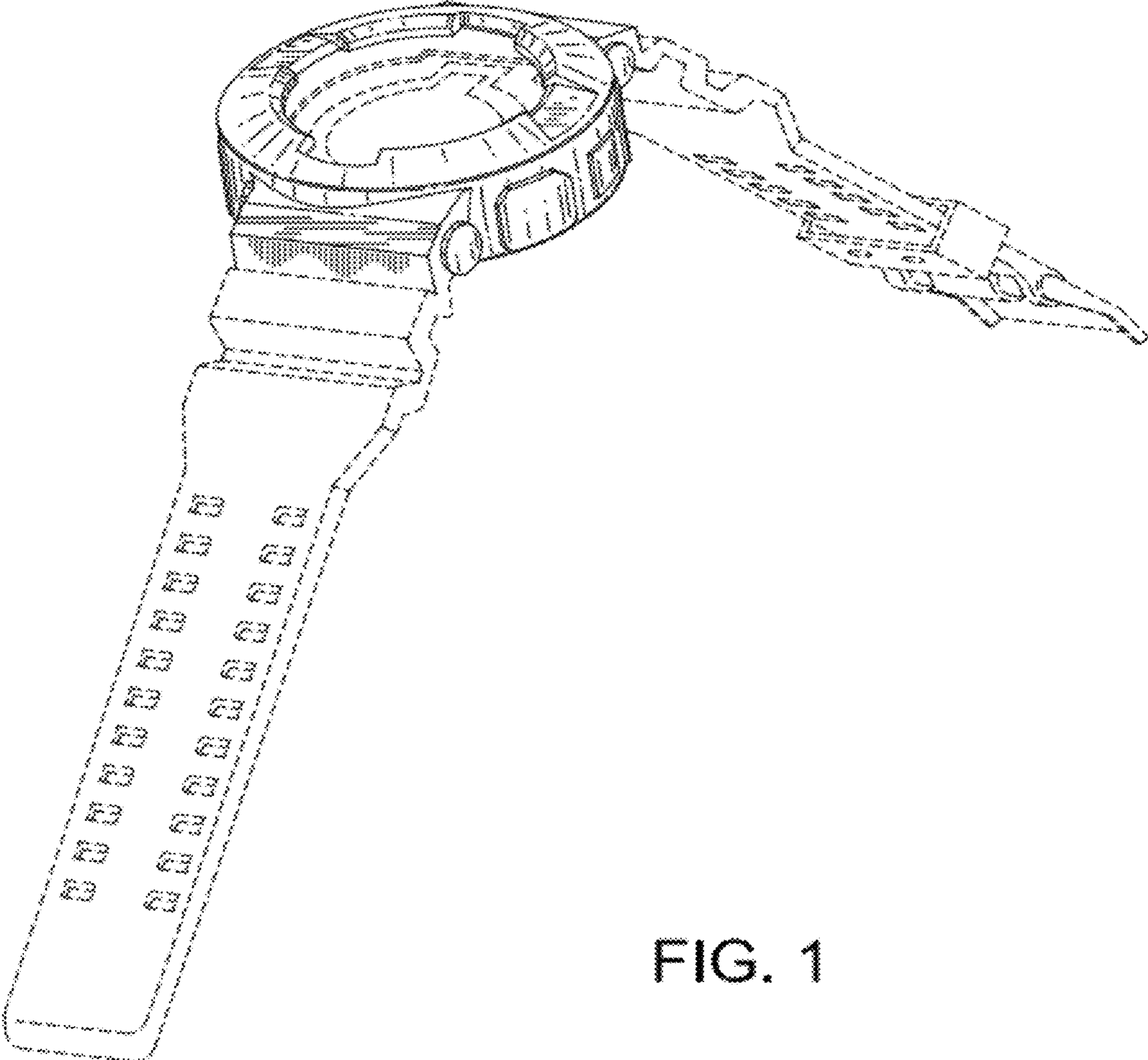


FIG. 1

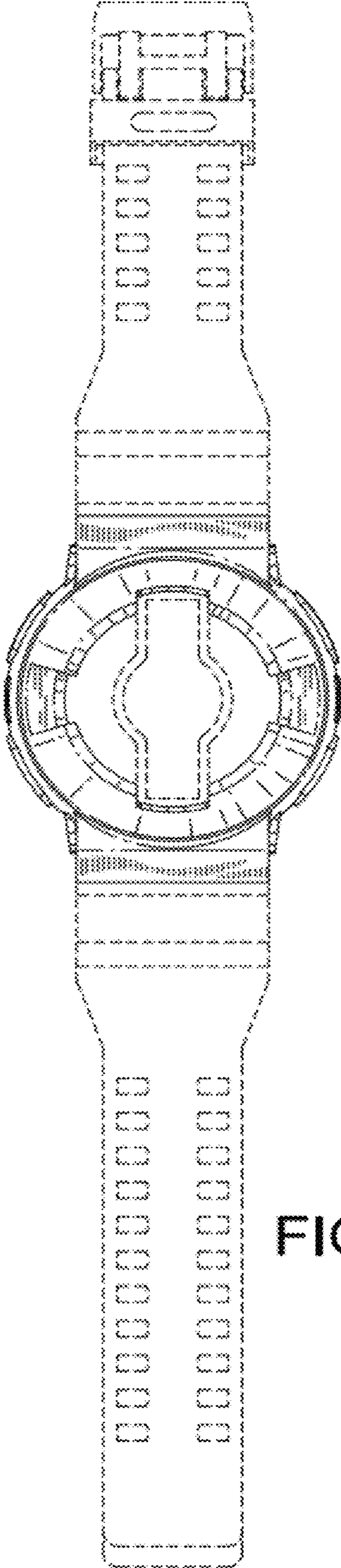


FIG. 2

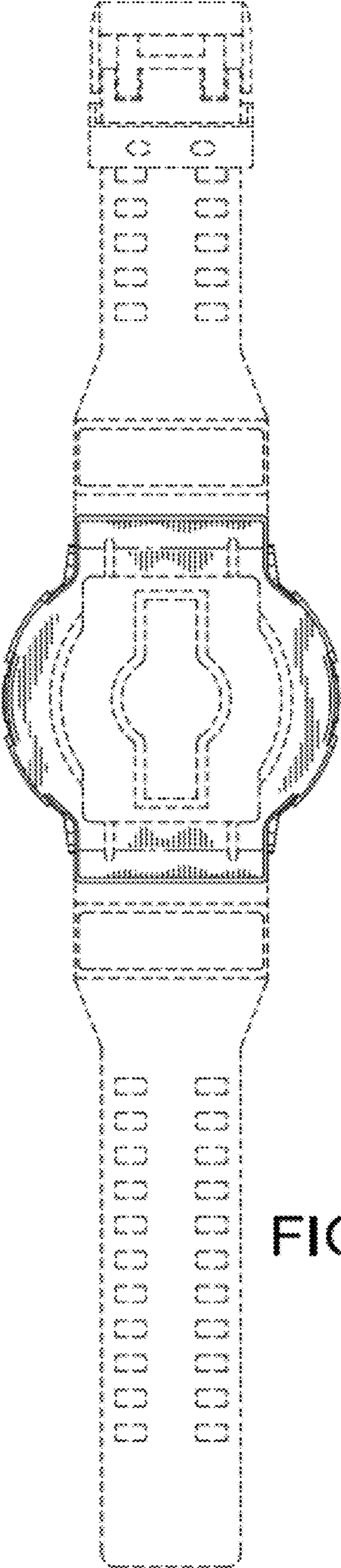


FIG. 3

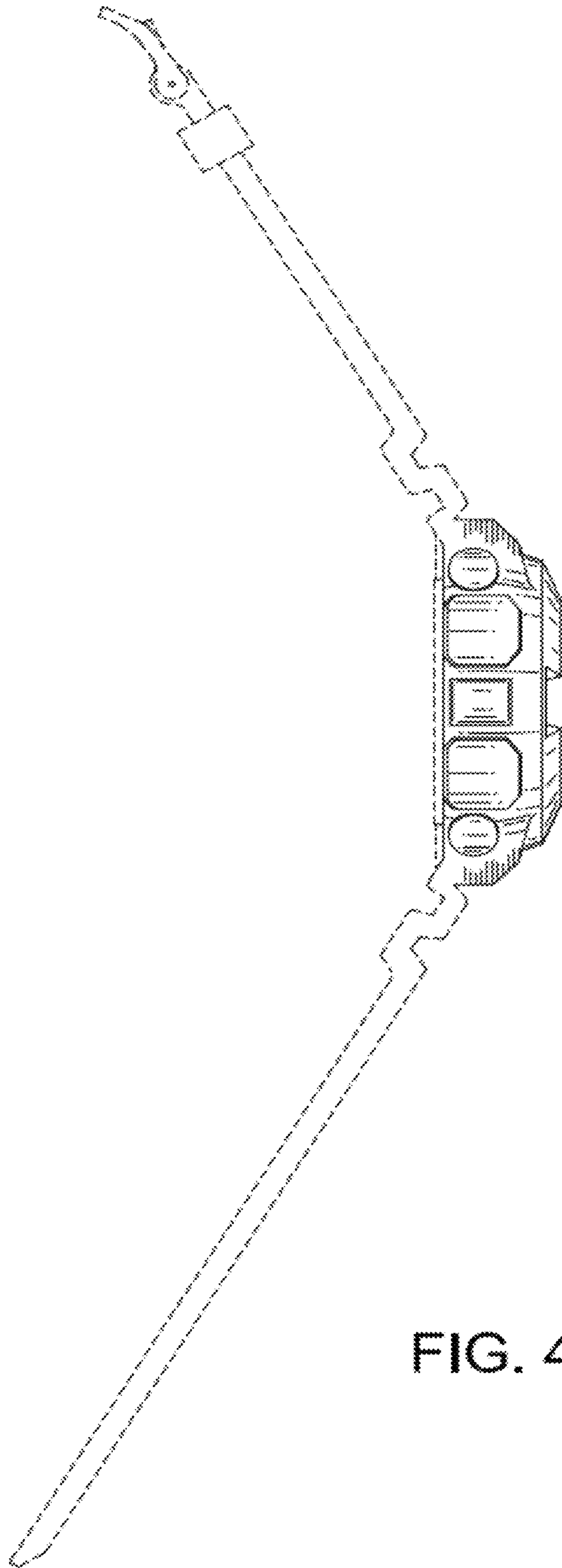


FIG. 4

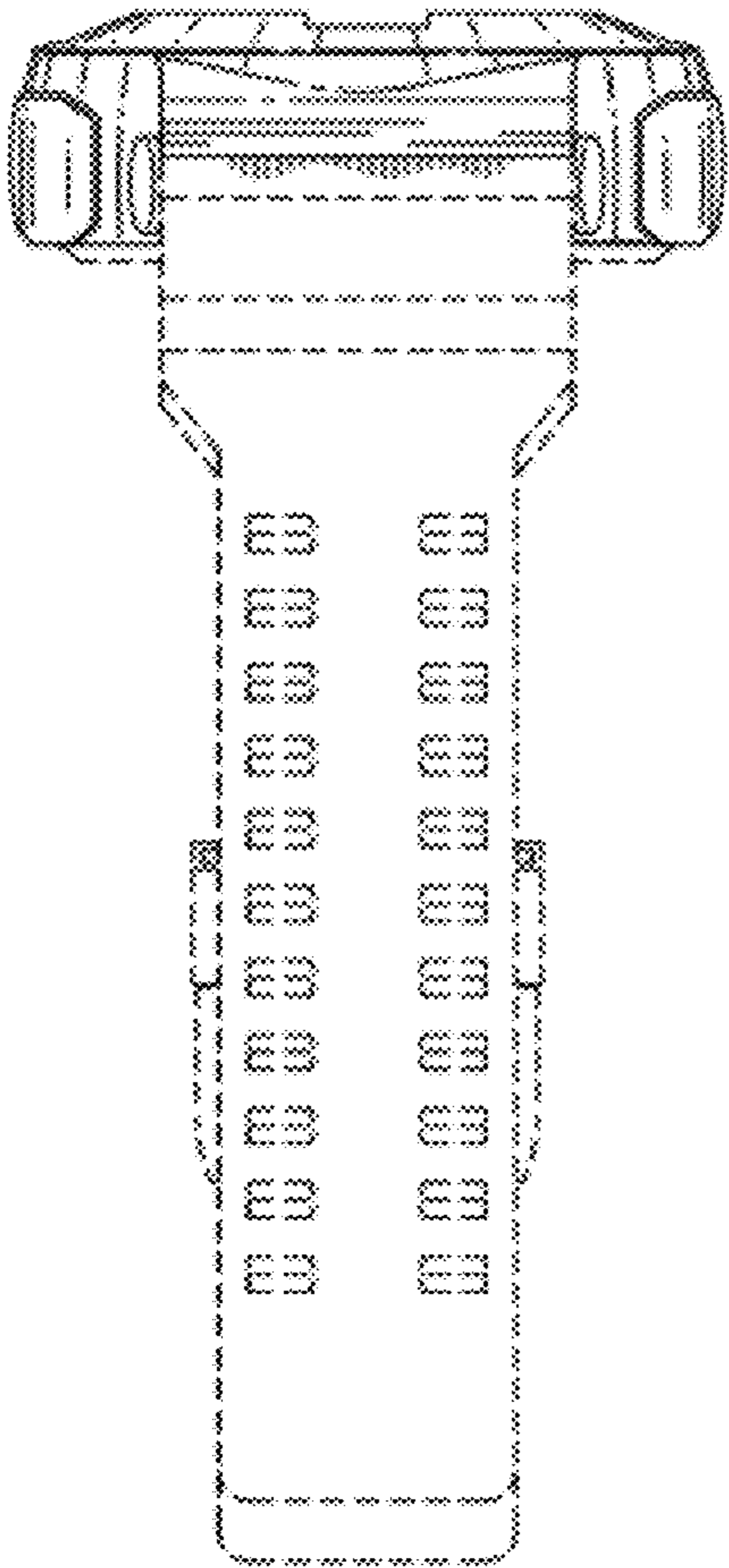


FIG. 5

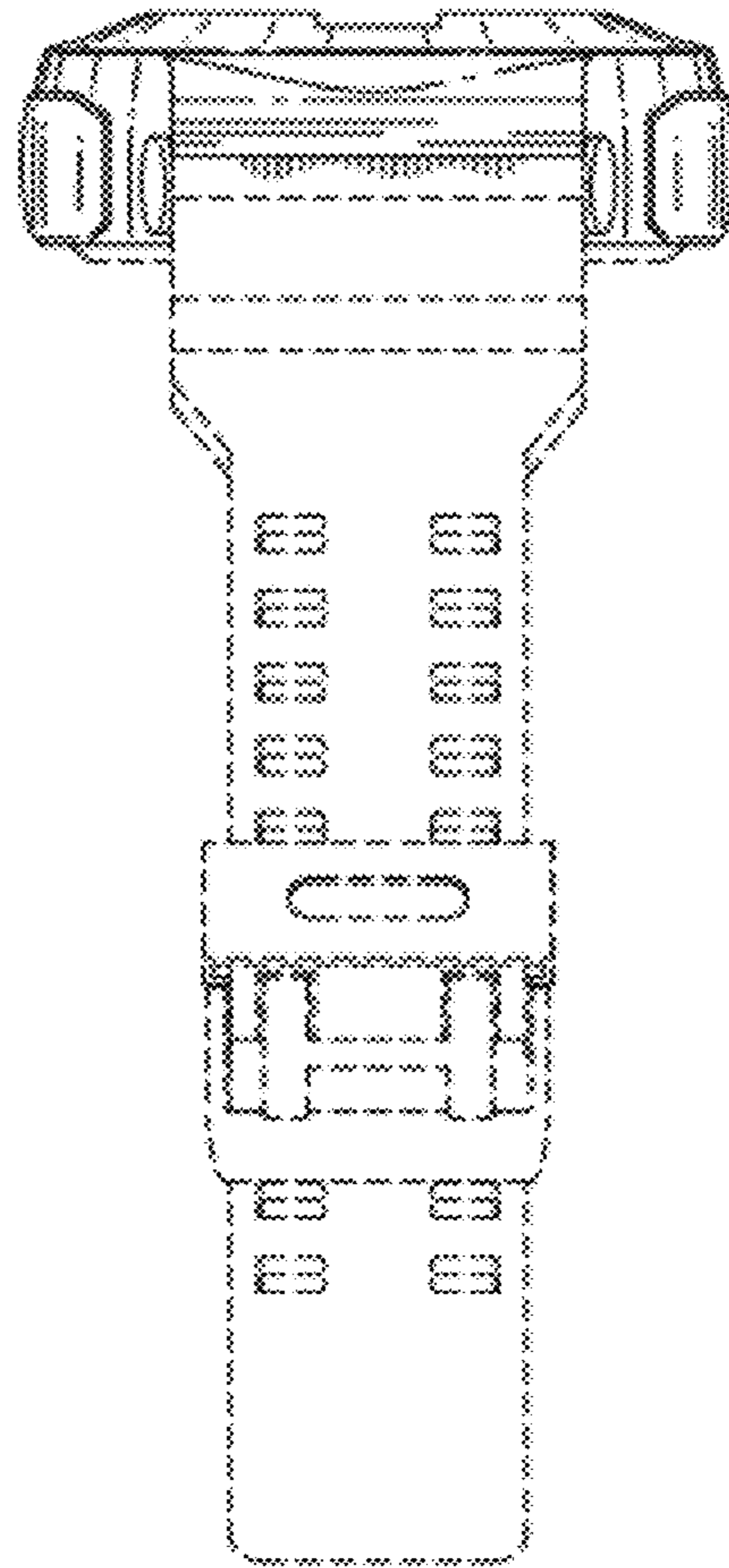


FIG. 6