



US00D672264S

(12) **United States Design Patent**
Ochoa

(10) **Patent No.:** **US D672,264 S**

(45) **Date of Patent:** **** Dec. 11, 2012**

(54) **REMAINDER REMINDER**

(76) Inventor: **Raul C. Ochoa**, Chula Vista, CA (US)

(**) Term: **14 Years**

(21) Appl. No.: **29/411,566**

(22) Filed: **Jan. 23, 2012**

(51) **LOC (9) Cl.** **10-05**

(52) **U.S. Cl.** **D10/109.1**

(58) **Field of Classification Search** D10/109.1,
D10/121; 40/606.08; 116/313, 309; 297/217.1;
24/563; 232/35; 206/53

See application file for complete search history.

(56) **References Cited**

U.S. PATENT DOCUMENTS

2,600,980	A *	6/1952	Eyre	206/53
4,147,292	A *	4/1979	Fisher	232/35
5,697,131	A *	12/1997	Hunt et al.	24/563
6,014,942	A *	1/2000	Perka et al.	116/309
6,511,126	B1 *	1/2003	McAdams	297/217.1
D649,078	S *	11/2011	Kestenbaum	D10/121
2007/0039542	A1 *	2/2007	Schrauwen et al.	116/313
2009/0077850	A1 *	3/2009	Alterman	40/606.08

* cited by examiner

Primary Examiner — George D Kirschbaum

(74) *Attorney, Agent, or Firm* — Michael D. Eisenberg

(57) **CLAIM**

The ornamental design for a remainder reminder, as shown and described.

DESCRIPTION

FIG. 1 is a perspective view of a remainder reminder showing my new design;

FIG. 2 is a top view of the remainder reminder;

FIG. 3 is a bottom view of the remainder reminder;

FIG. 4 is a front view of the remainder reminder;

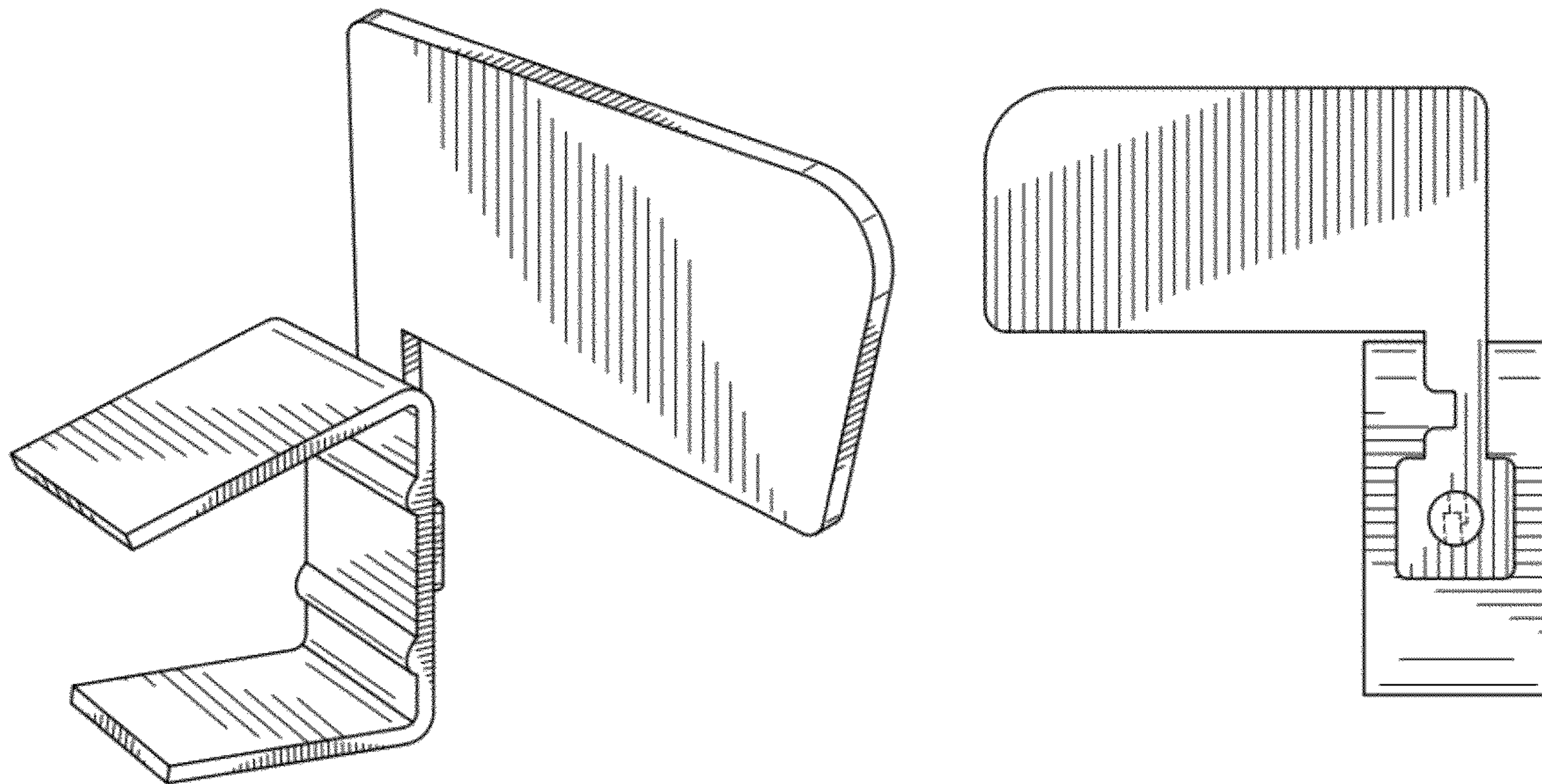
FIG. 5 is a right side view of the remainder reminder;

FIG. 6 is a left side view of the remainder reminder; and,

FIG. 7 is a rear view of the remainder reminder.

The broken line showing of fixing tabs connecting the parts of the design are included for the purpose of illustrating portions of the “article” and forms no part of the claimed design.

1 Claim, 2 Drawing Sheets



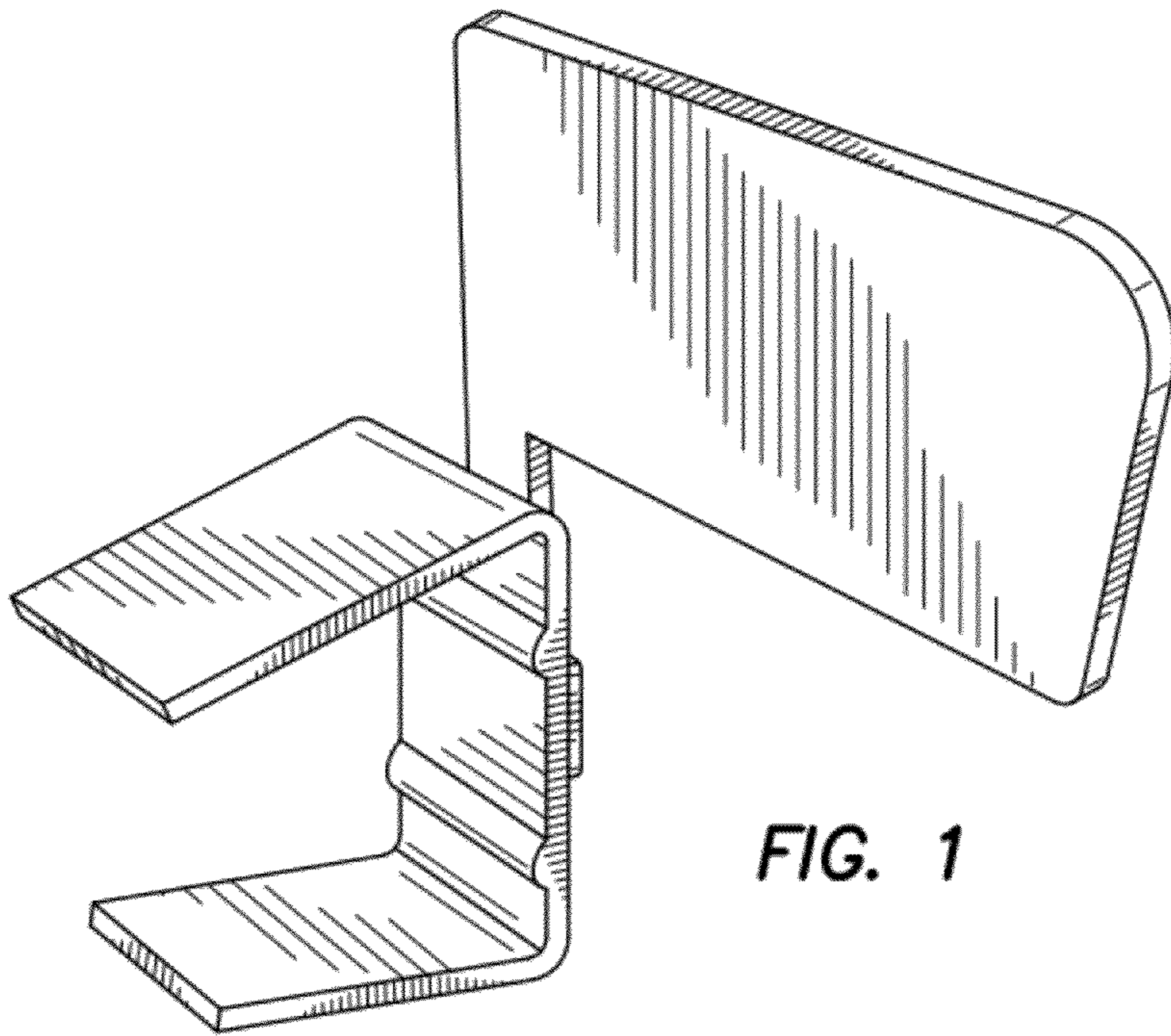


FIG. 1

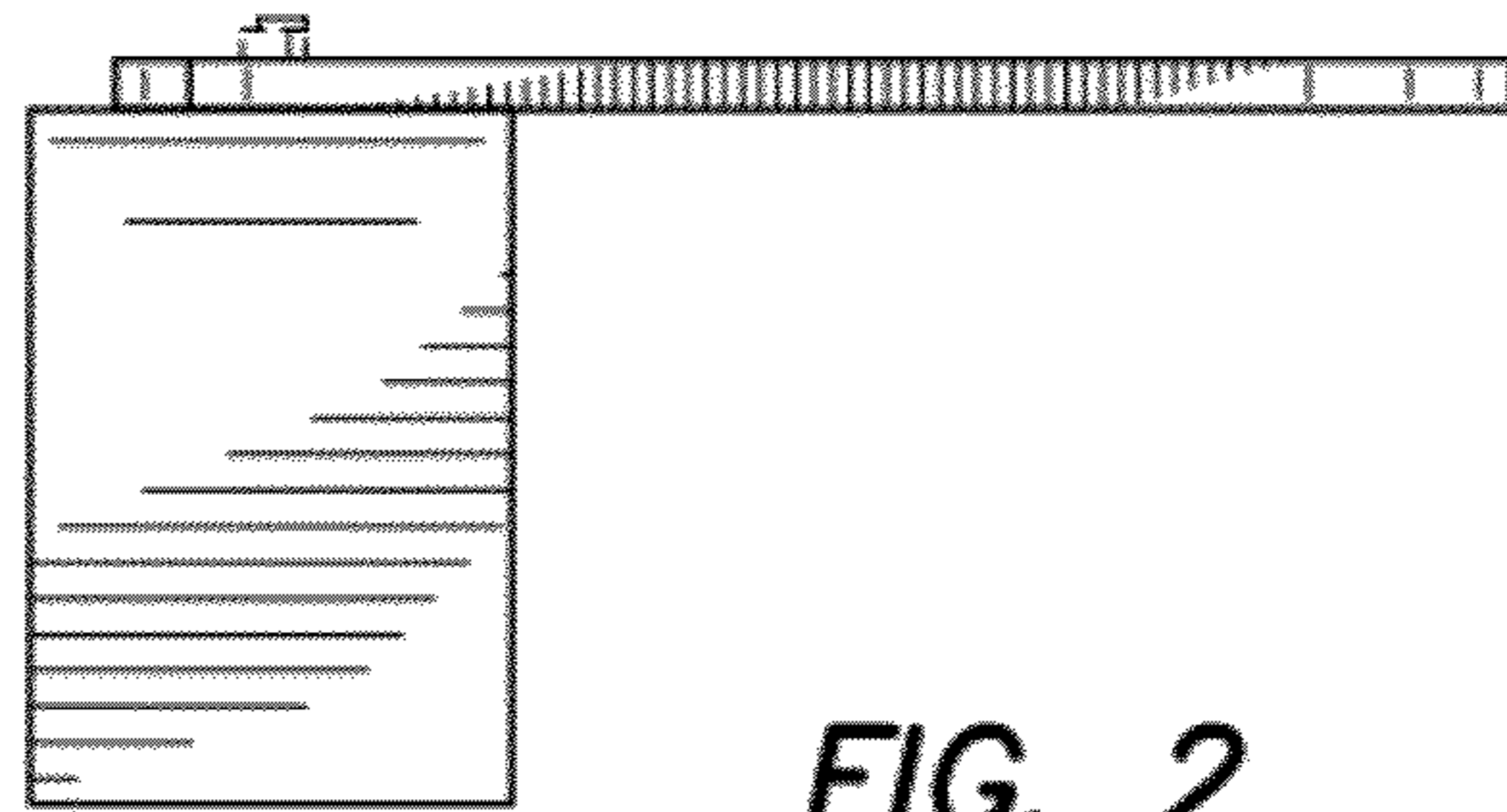


FIG. 2

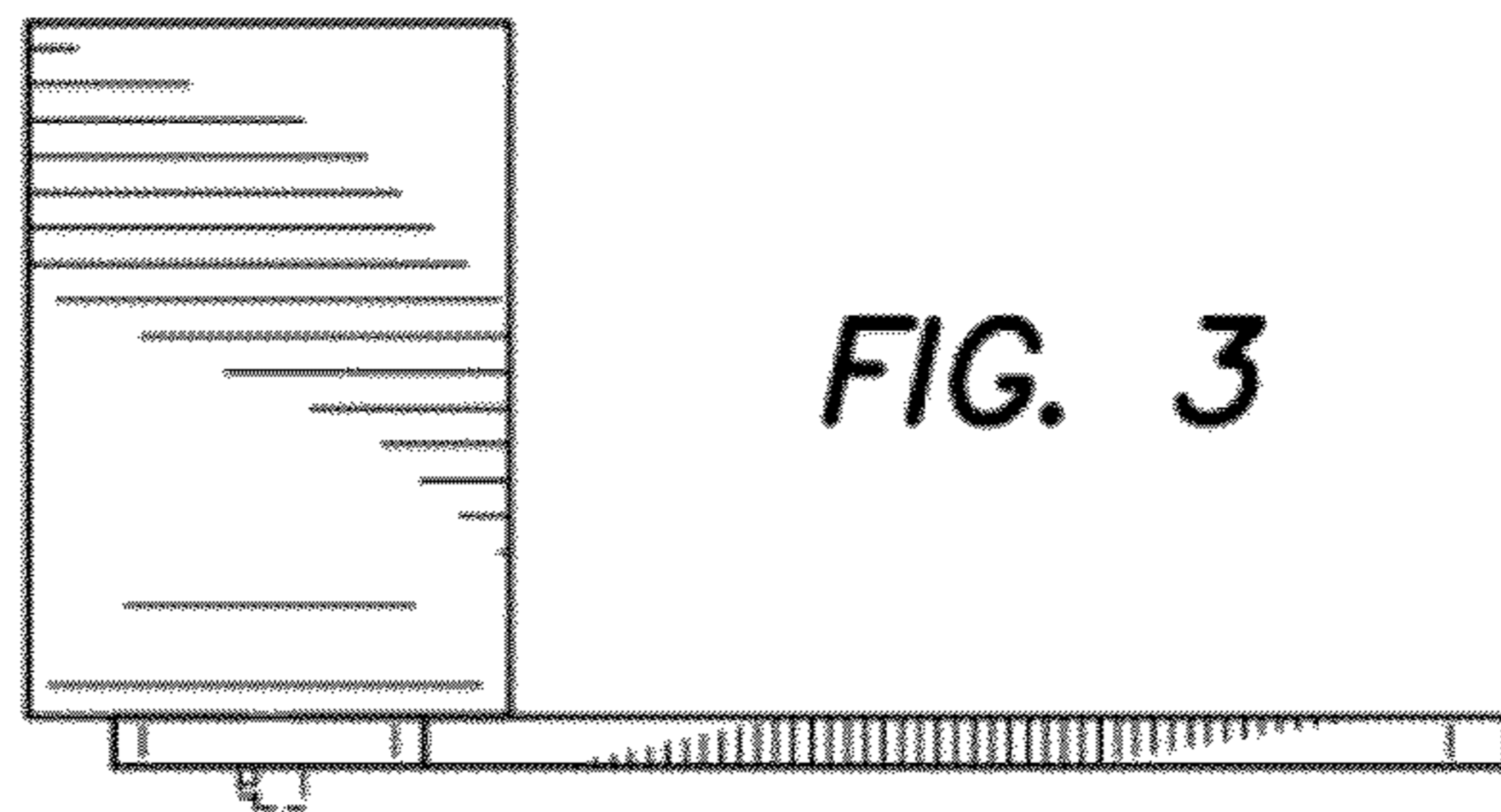


FIG. 3

