



US00D672260S

(12) **United States Design Patent**  
**Irokawa et al.**

(10) **Patent No.:** **US D672,260 S**  
(45) **Date of Patent:** **\*\* Dec. 11, 2012**

(54) **MAGNETIC SENSOR**

(75) Inventors: **Kenji Irokawa**, Tsukubamirai (JP); **Ken Gunji**, Tsukubamirai (JP); **Masahisa Takahashi**, Tsukubamirai (JP)

(73) Assignee: **SMC Corporation**, Tokyo (JP)

(\*\*) Term: **14 Years**

(21) Appl. No.: **29/393,386**

(22) Filed: **Jun. 3, 2011**

(30) **Foreign Application Priority Data**

Dec. 7, 2010 (JP) ..... 2010-029178

(51) **LOC (9) Cl.** ..... **10-04**

(52) **U.S. Cl.** ..... **D10/83**

(58) **Field of Classification Search** ..... D10/83-85;  
116/267; 269/8, 24-34; 324/224-263  
See application file for complete search history.

(56) **References Cited**

**U.S. PATENT DOCUMENTS**

6,021,629	A *	2/2000	Sterner, Sr.	53/471
D440,169	S *	4/2001	Fan	D10/104.1
D458,174	S *	6/2002	Fan	D10/104.1
D587,611	S *	3/2009	Oshima et al.	D10/83
D593,426	S *	6/2009	Huang et al.	D10/46
2003/0126936	A1 *	7/2003	Eggleton	74/335
2006/0102697	A1 *	5/2006	Nagai et al.	228/101
2010/0090692	A1 *	4/2010	Itoi et al.	324/252
2010/0215449	A1 *	8/2010	Kern	408/1 R

**OTHER PUBLICATIONS**

U.S. Appl. No. 29/393,332, filed Jun. 2, 2011, Irokawa, et al.

\* cited by examiner

*Primary Examiner* — Antoine D Davis

(74) *Attorney, Agent, or Firm* — Oblon, Spivak, McClelland, Maier & Neustadt, L.L.P.

(57) **CLAIM**

The ornamental design for a magnetic sensor, as shown and described.

**DESCRIPTION**

FIG. 1 is a front, top, and left side perspective view of a magnetic sensor;  
FIG. 2 is a rear, bottom, and right side perspective view thereof;  
FIG. 3 is a front elevational view thereof;  
FIG. 4 is a rear elevational view thereof;  
FIG. 5 is a top plan view thereof;  
FIG. 6 is a bottom plan view thereof;  
FIG. 7 is a left side elevational view thereof; and,  
FIG. 8 is a right side elevational view thereof.  
The pair dash-dot-dash lines on the sensor arm in FIGS. 1-4, 7, and 8 depict an indeterminate length for the sensor arm and the pair dash-dot-dash lines and the portion of the sensor arm therebetween form no part of the claimed design.

**1 Claim, 4 Drawing Sheets**

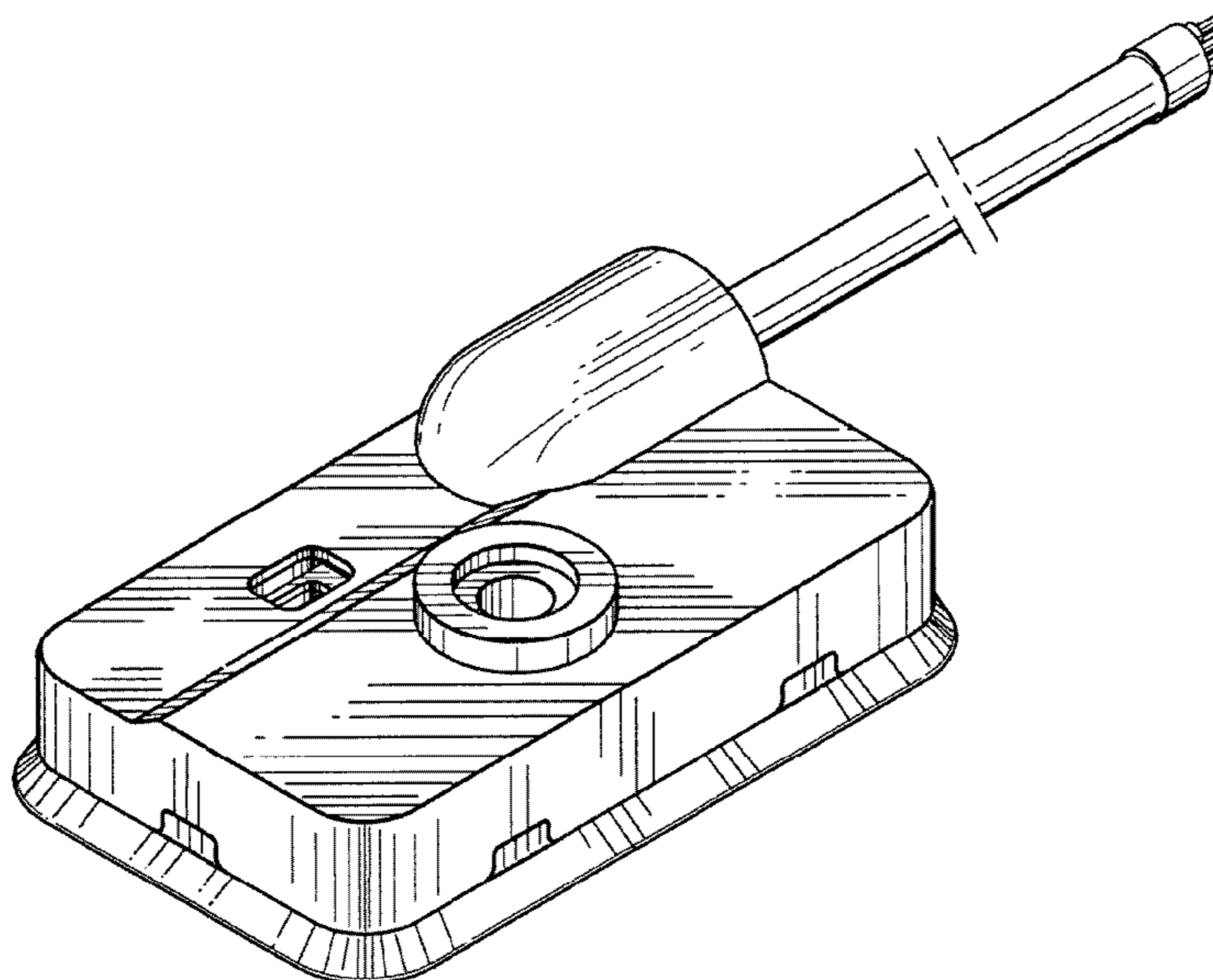


Fig. 1

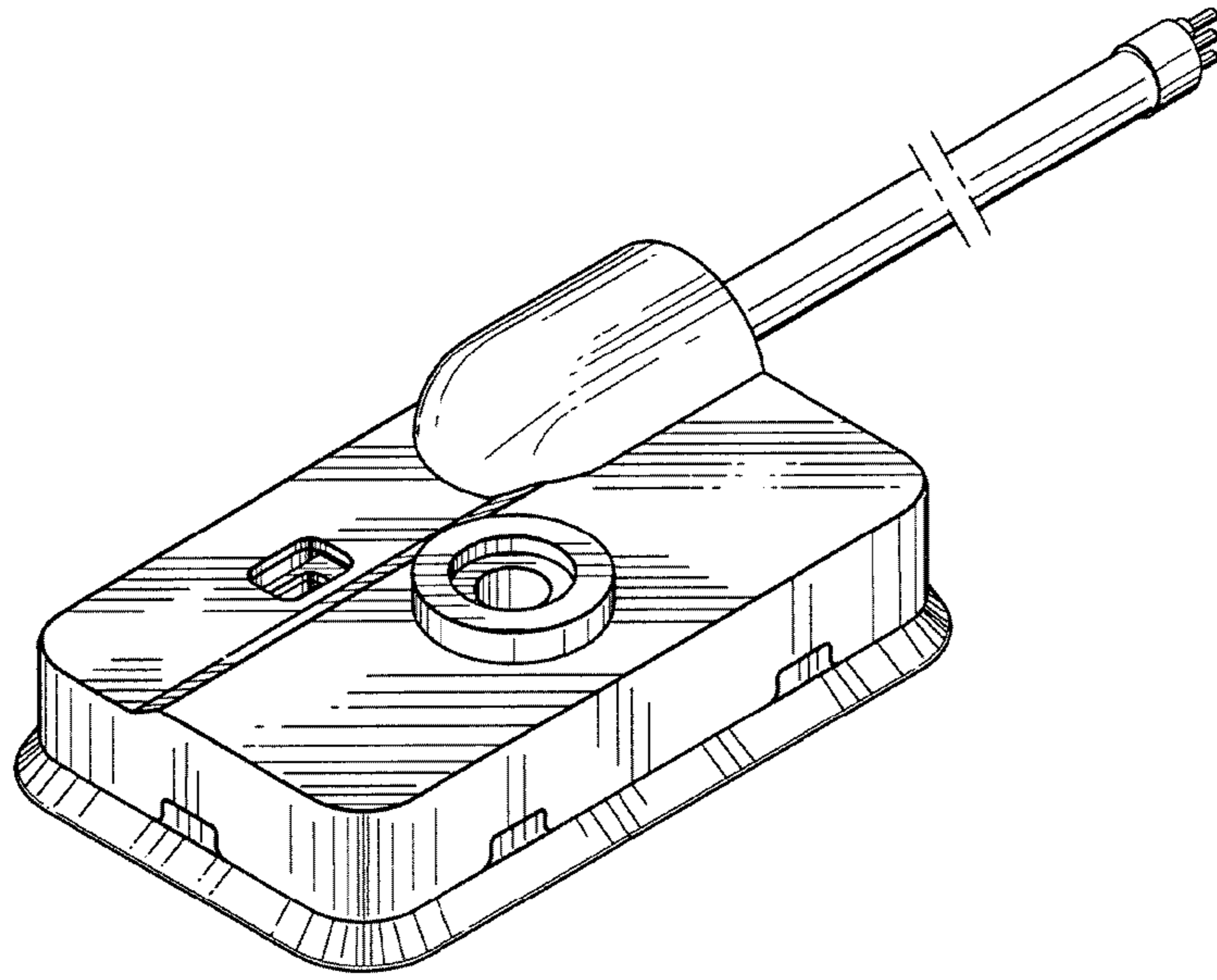


Fig. 2

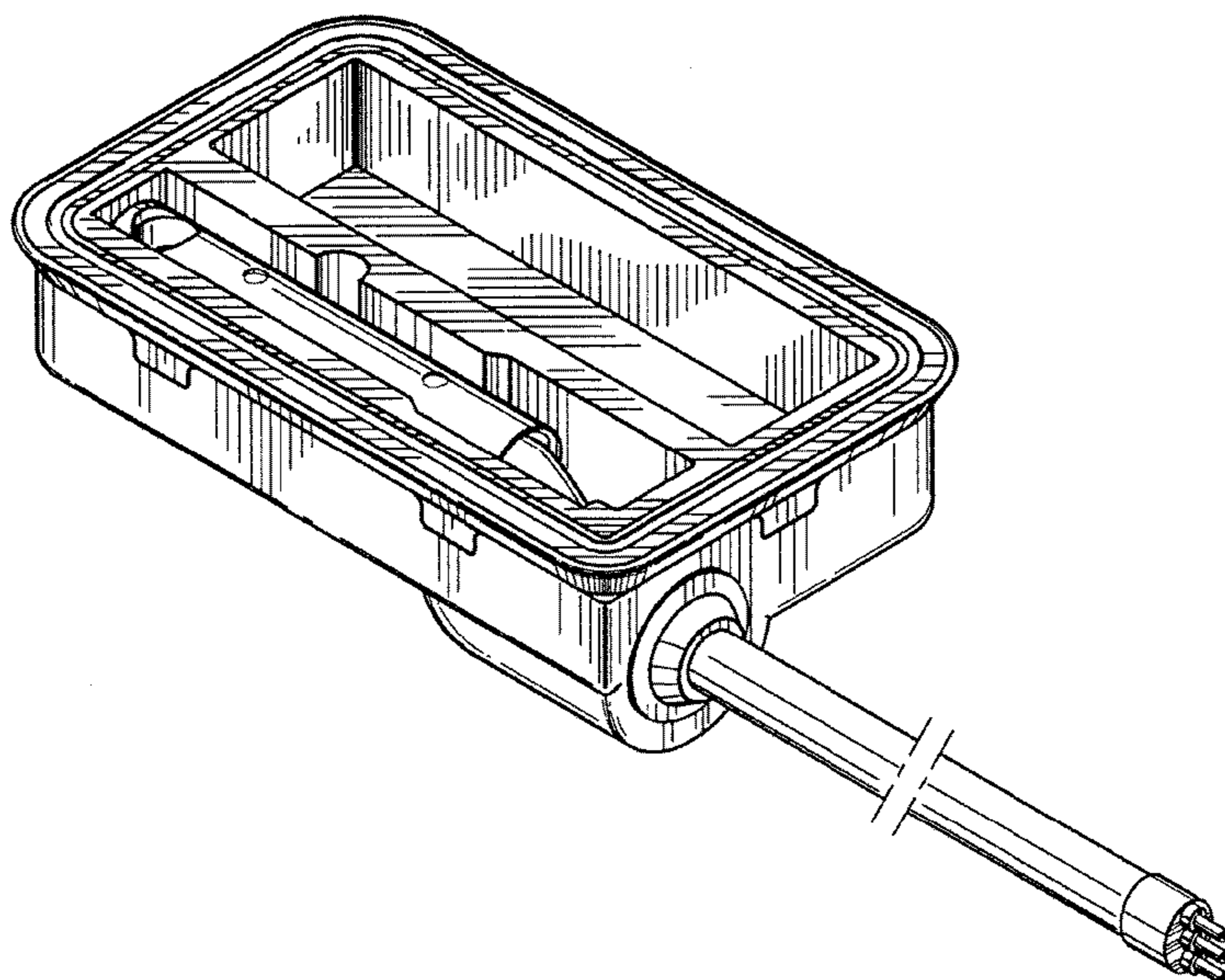


Fig. 3

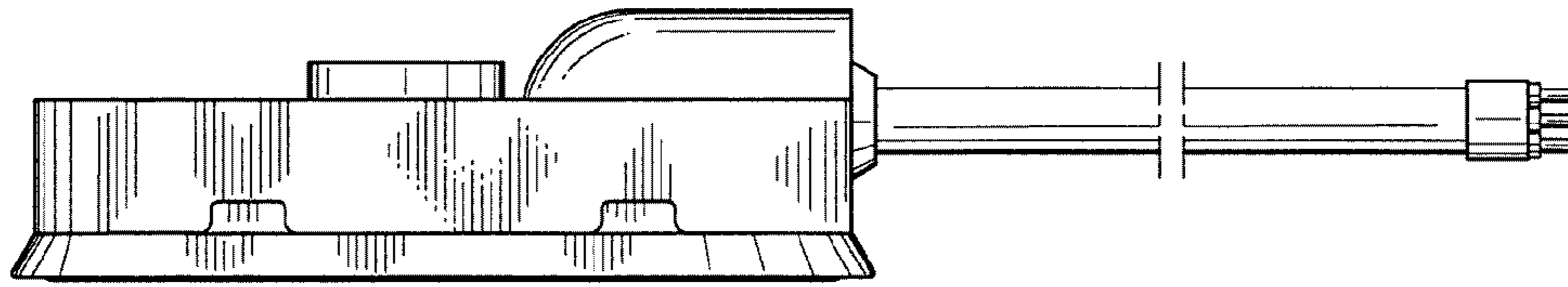


Fig. 4

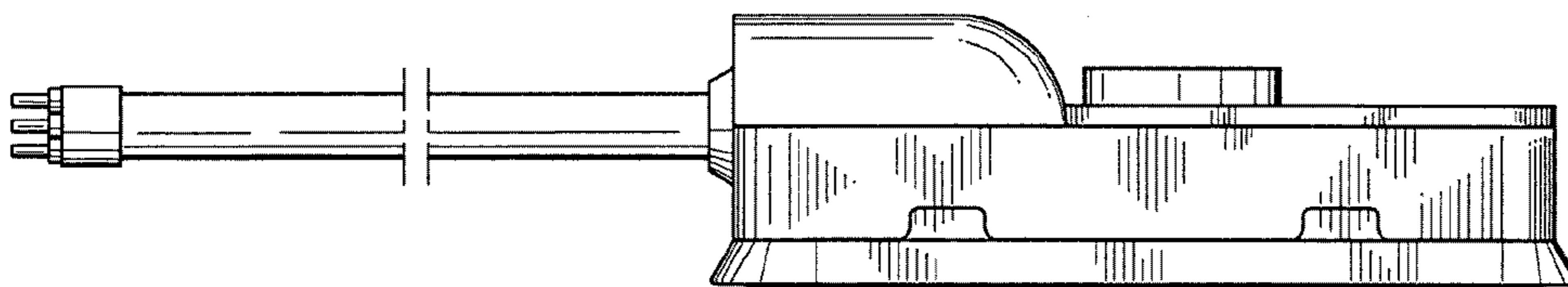


Fig. 5

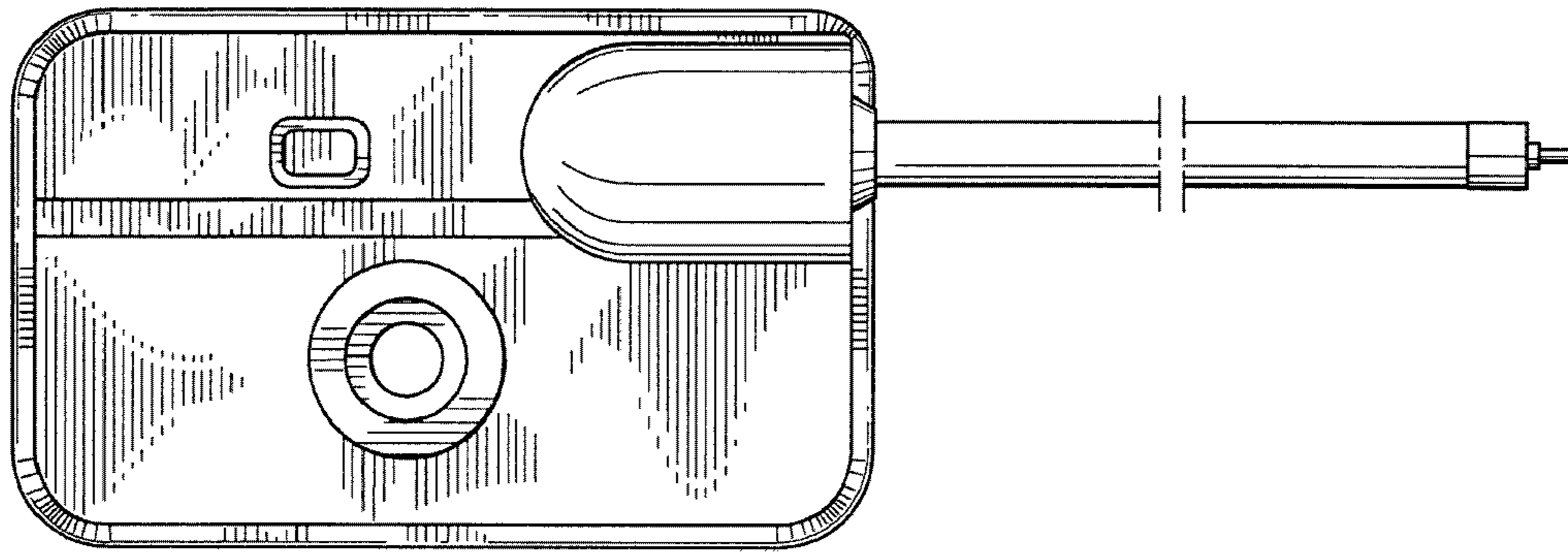


Fig. 6

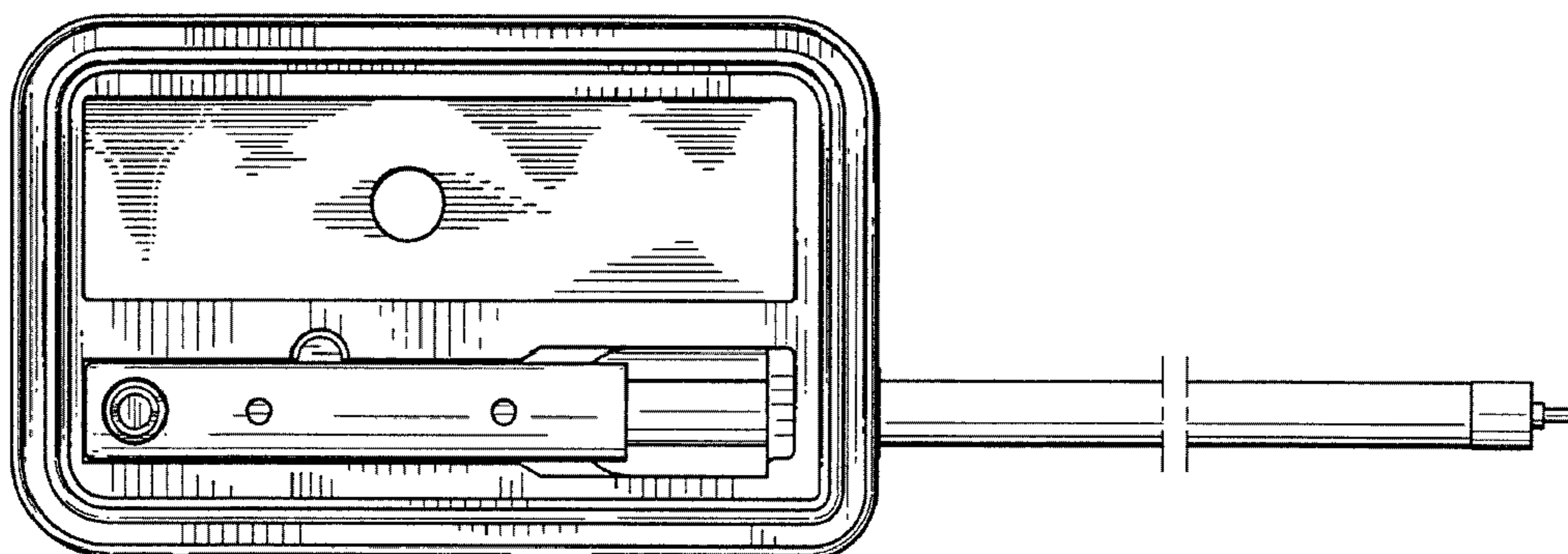


Fig. 7

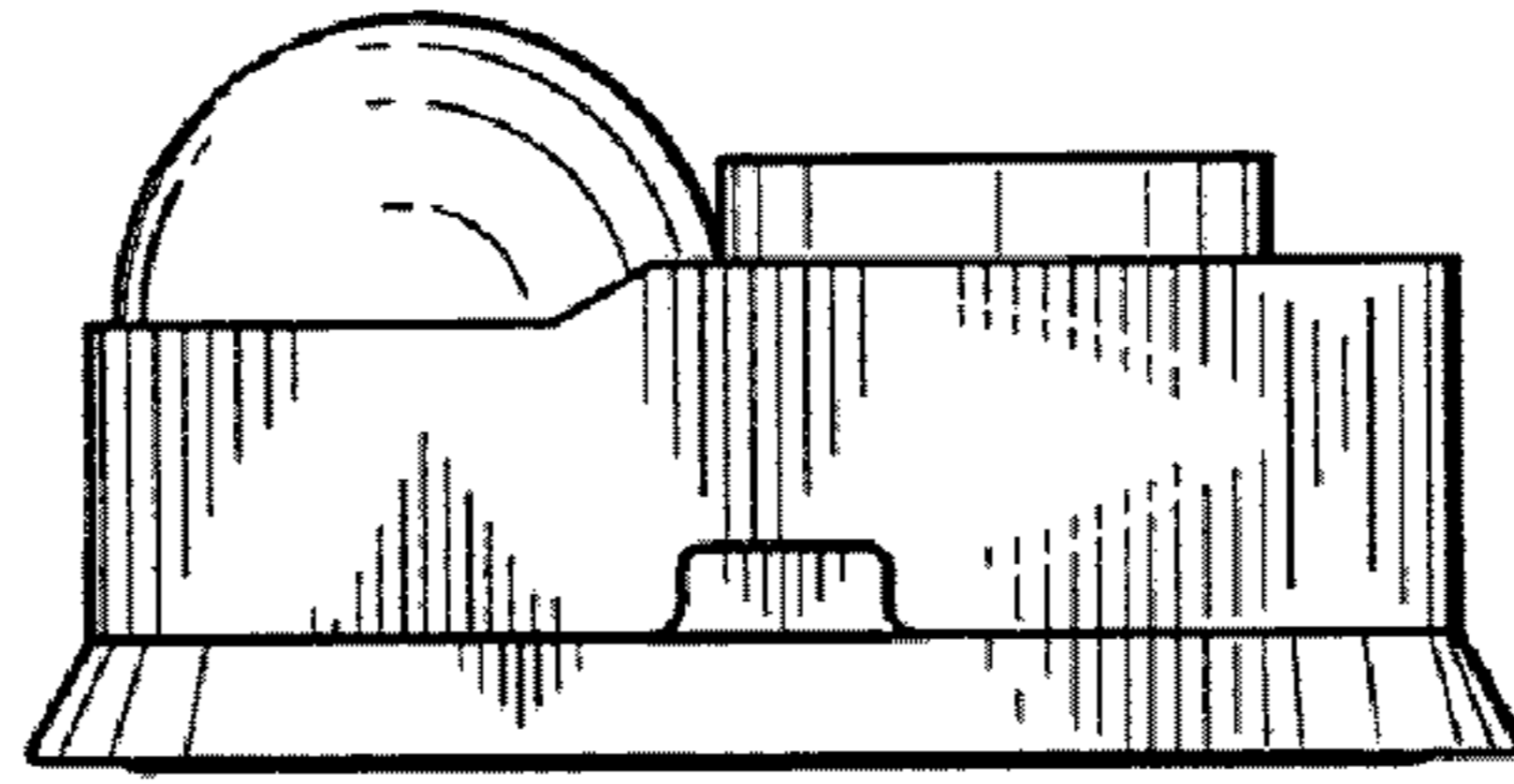


Fig. 8

