



US00D672256S

(12) **United States Design Patent**
Behar

(10) **Patent No.:** **US D672,256 S**

(45) **Date of Patent:** **** Dec. 11, 2012**

(54) **WATCH**

(75) **Inventor:** **Yves Behar**, San Francisco, CA (US)

(73) **Assignee:** **Seiko Instruments Inc.**, Chiba (JP)

(**) **Term:** **14 Years**

(21) **Appl. No.:** **29/368,609**

(22) **Filed:** **Aug. 26, 2010**

(51) **LOC (9) Cl.** **10-02**

(52) **U.S. Cl.** **D10/39**

(58) **Field of Classification Search** D10/30-39,
D10/122-132; 368/276, 281, 282, 285, 21,
368/223, 228, 232, 239-240, 233, 234, 80,
368/82-84

See application file for complete search history.

(56) **References Cited**

U.S. PATENT DOCUMENTS

D242,694	S	*	12/1976	Thompson et al.	D10/126
D257,963	S	*	1/1981	Sticker	D10/126
4,659,232	A	*	4/1987	Coster et al.	368/223
4,964,092	A	*	10/1990	Brida	368/282
5,051,968	A	*	9/1991	Calabrese	368/76
5,134,595	A	*	7/1992	Faber et al.	368/77
D392,632	S	*	3/1998	Spiegel	D14/490
D433,949	S	*	11/2000	Helleu	D10/30
6,556,513	B2	*	4/2003	Wimberly	368/82
D552,002	S	*	10/2007	Eisler	D10/126
D572,610	S	*	7/2008	Colombo	D10/39
D586,683	S	*	2/2009	Pitton	D10/126
D612,269	S	*	3/2010	Leung	D10/32
D625,203	S	*	10/2010	Giannini	D10/32
D626,876	S	*	11/2010	Jones	D10/124
D629,703	S	*	12/2010	Giannini	D10/32

7,874,722	B2	*	1/2011	Clarkson et al.	368/281
D635,472	S	*	4/2011	Dalla Libera et al.	D10/32
D653,564	S	*	2/2012	Eida	D10/32

OTHER PUBLICATIONS

Markuse Corporation, www.projectwatches.com, pp. 1 and 2, (2008).

* cited by examiner

Primary Examiner — Lucy Lieberman

(74) *Attorney, Agent, or Firm* — Finnegan, Henderson, Farabow, Garrett & Dunner, L.L.P.

(57) **CLAIM**

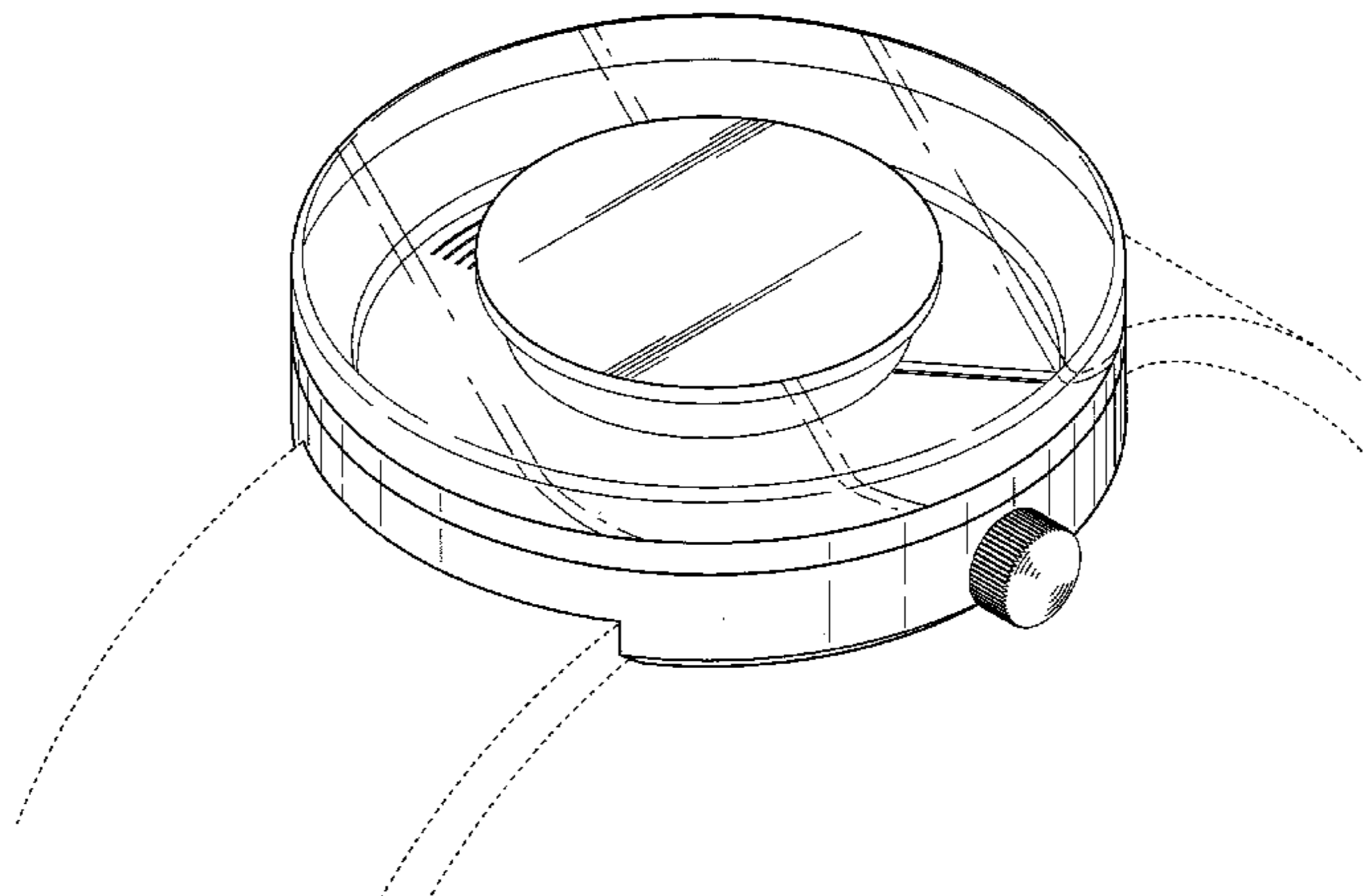
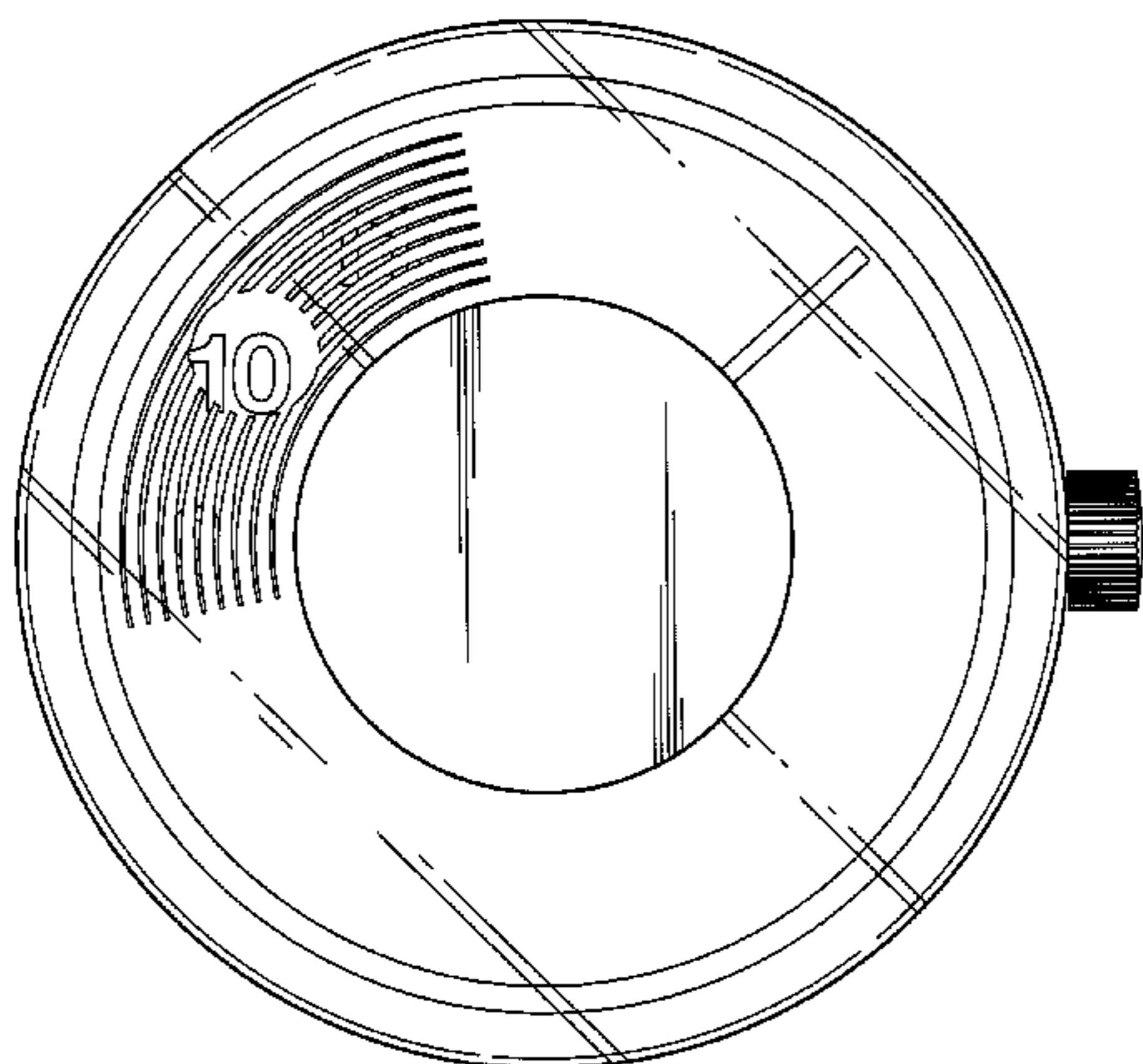
The ornamental design for a watch, as shown and described.

DESCRIPTION

FIG. 1 is a front view of a watch showing my new design; FIG. 2 is a rear view thereof; FIG. 3 is a top plan view thereof; FIG. 4 is a bottom view thereof; FIG. 5 is a left side view thereof; FIG. 6 is a right side view thereof; FIG. 7 is a perspective view thereof; FIG. 8 is a front view showing twelve o'clock thereof; FIG. 9 is a front view showing one o'clock thereof; FIG. 10 is a front view showing one-thirty thereof; FIG. 11 is a front view showing two o'clock thereof; and, FIG. 12 is a cross sectional view through the center of the cover glass. The cover glass is shown separately for clarity of illustration.

The portions of the article in broken lines are shown for illustrative purposes only and form no part of the claimed design.

1 Claim, 10 Drawing Sheets



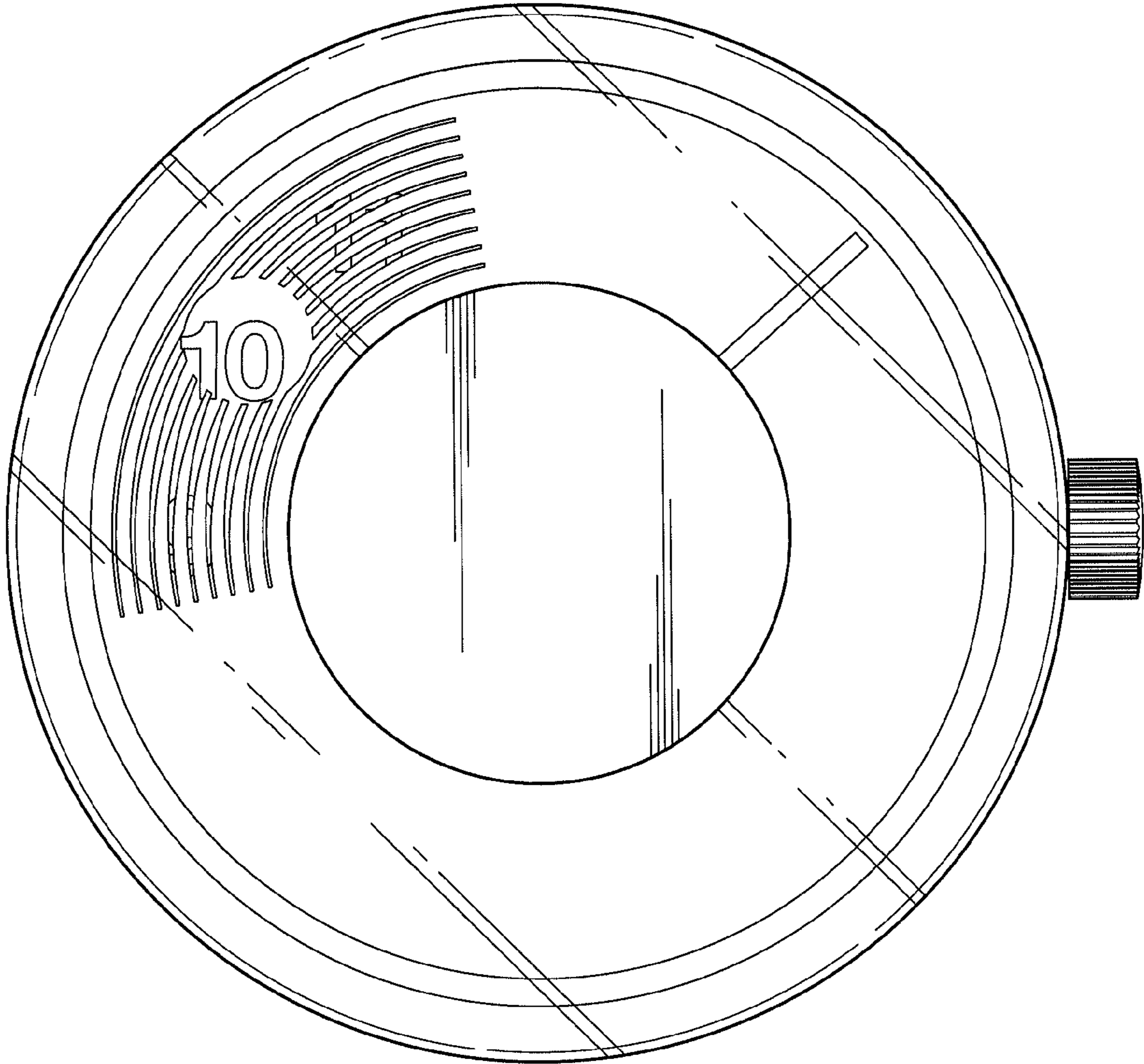


FIG. 1

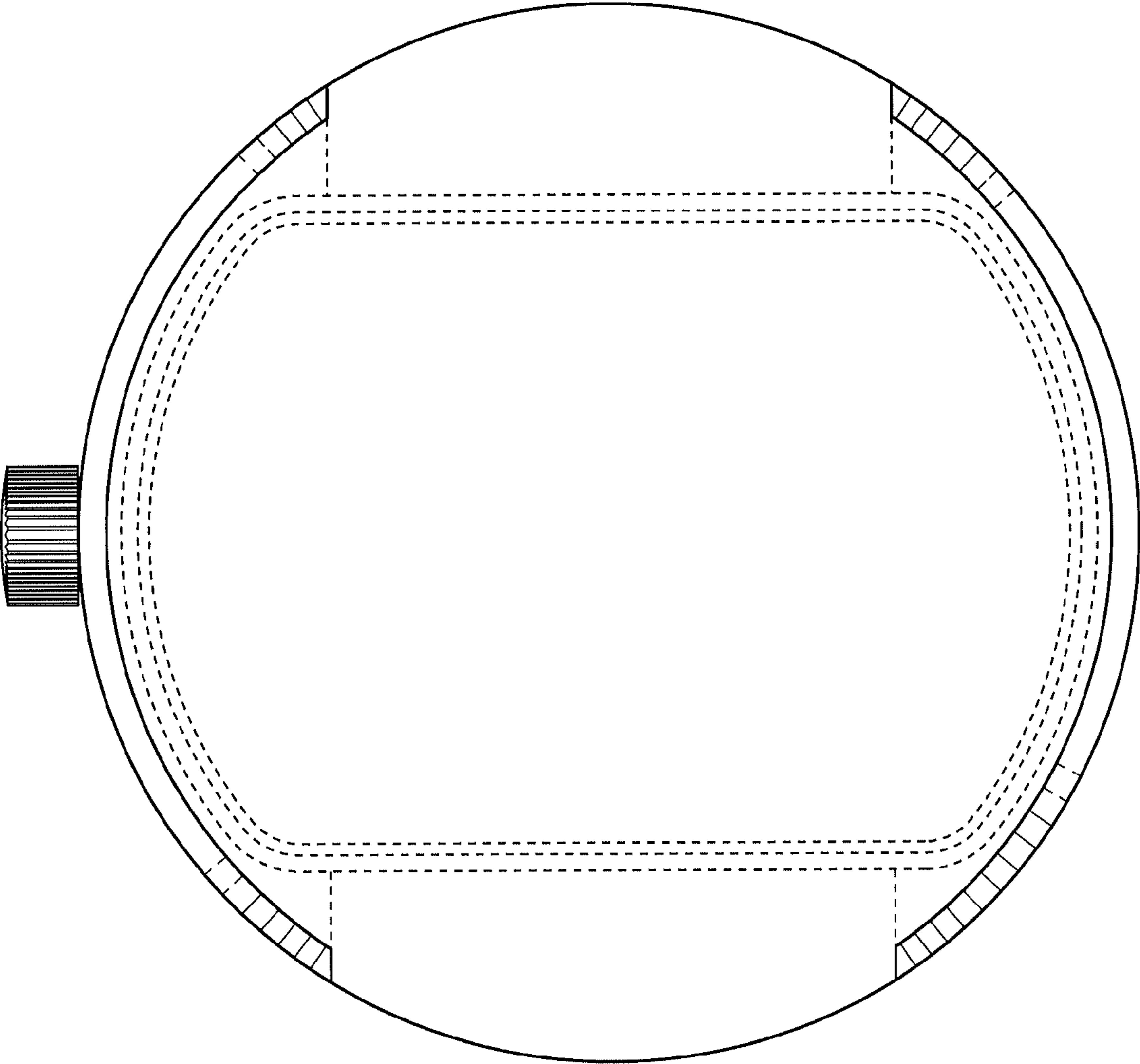


FIG. 2

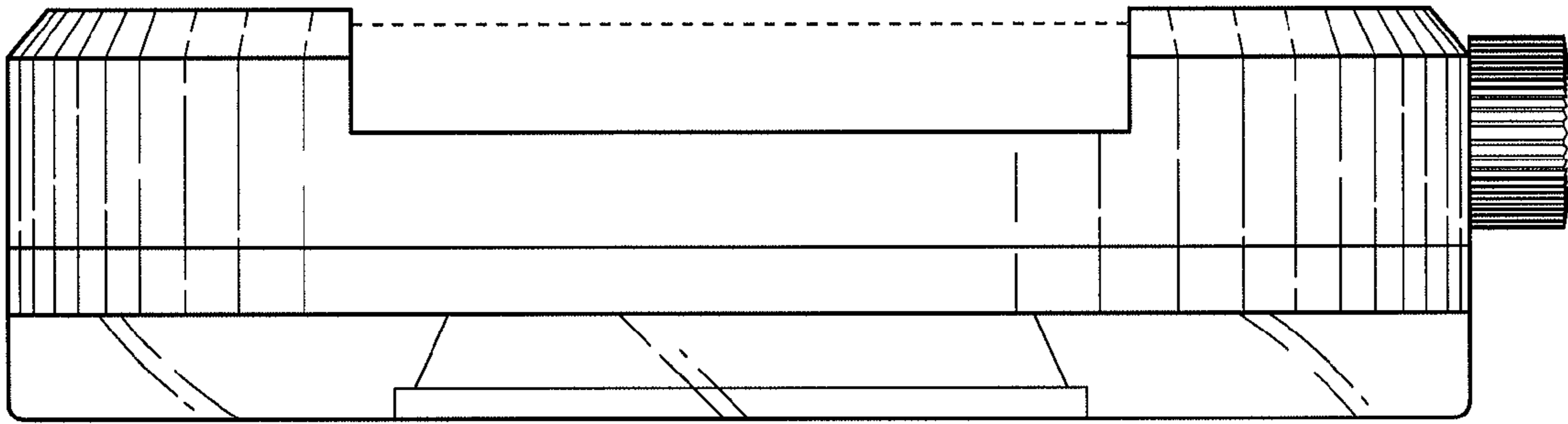


FIG. 3

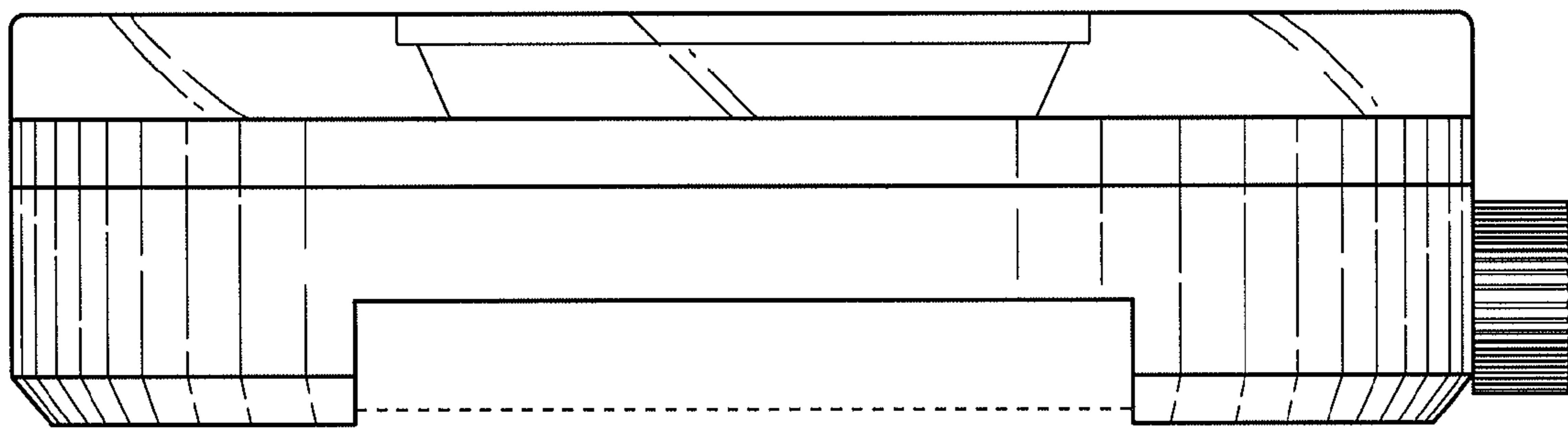


FIG. 4

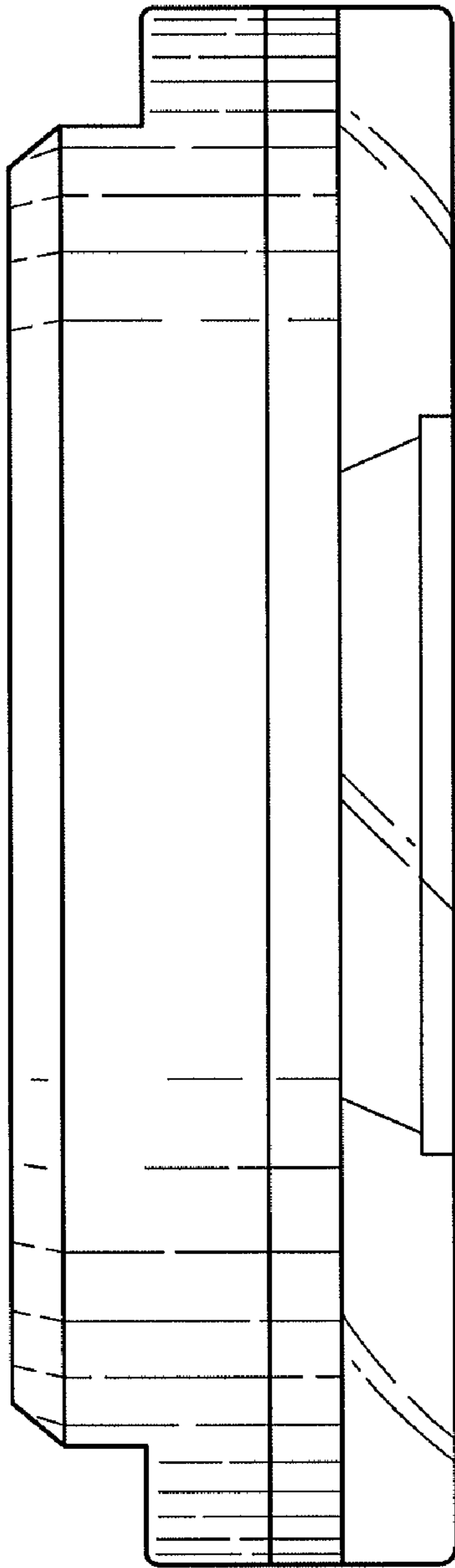


FIG. 5

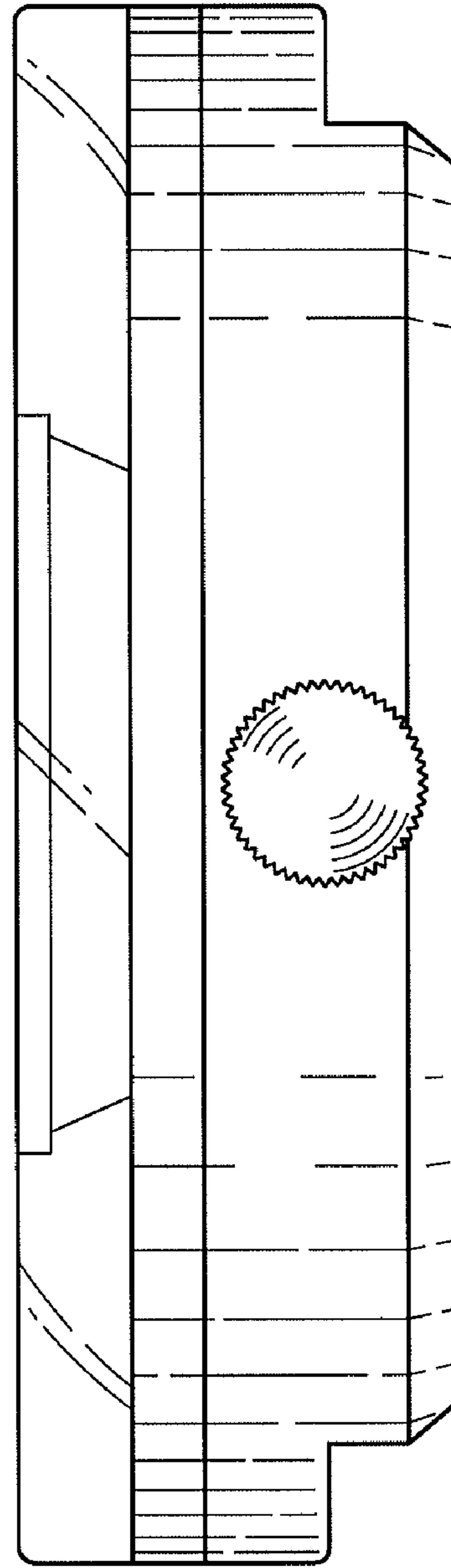


FIG. 6

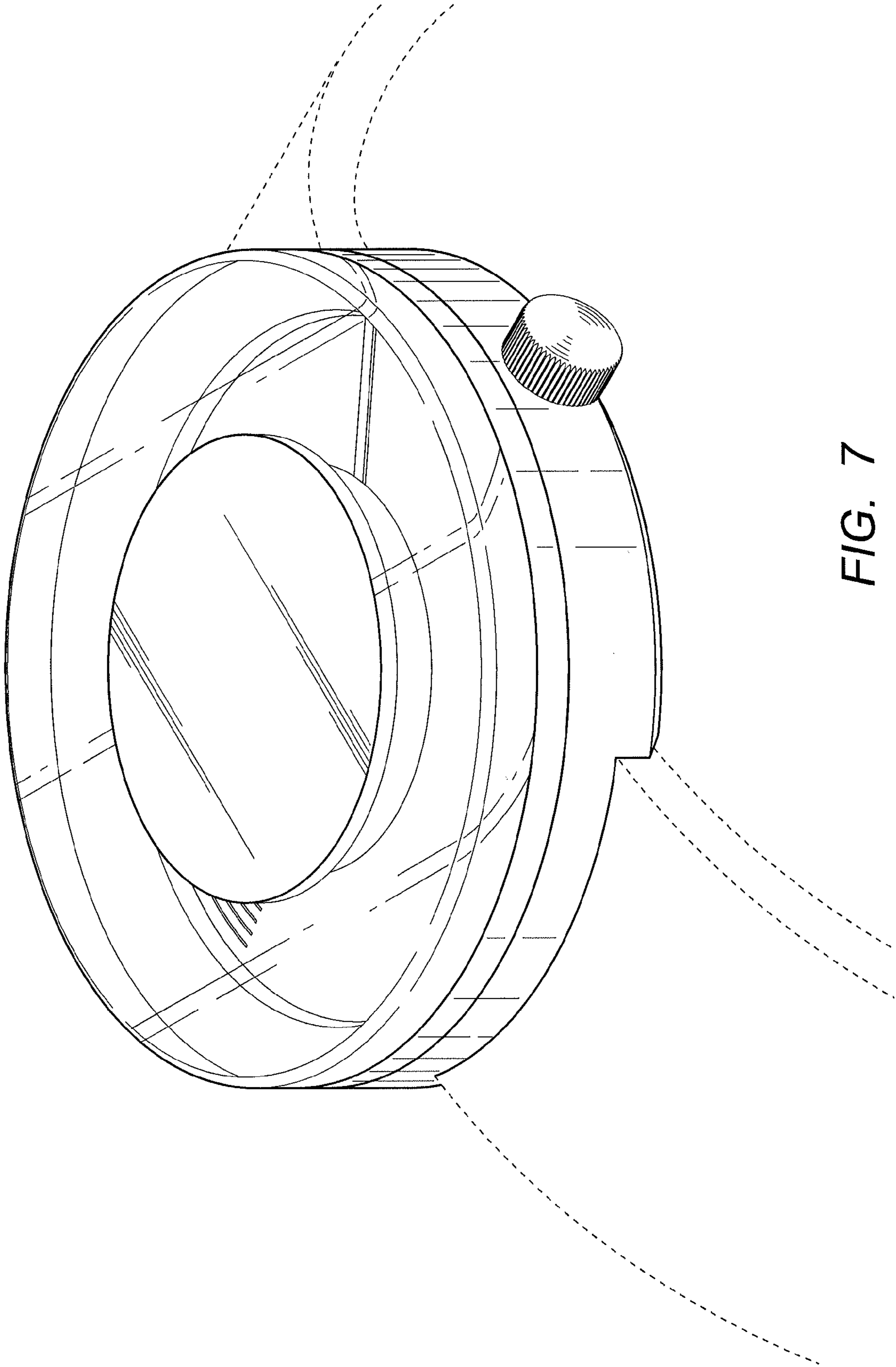


FIG. 7

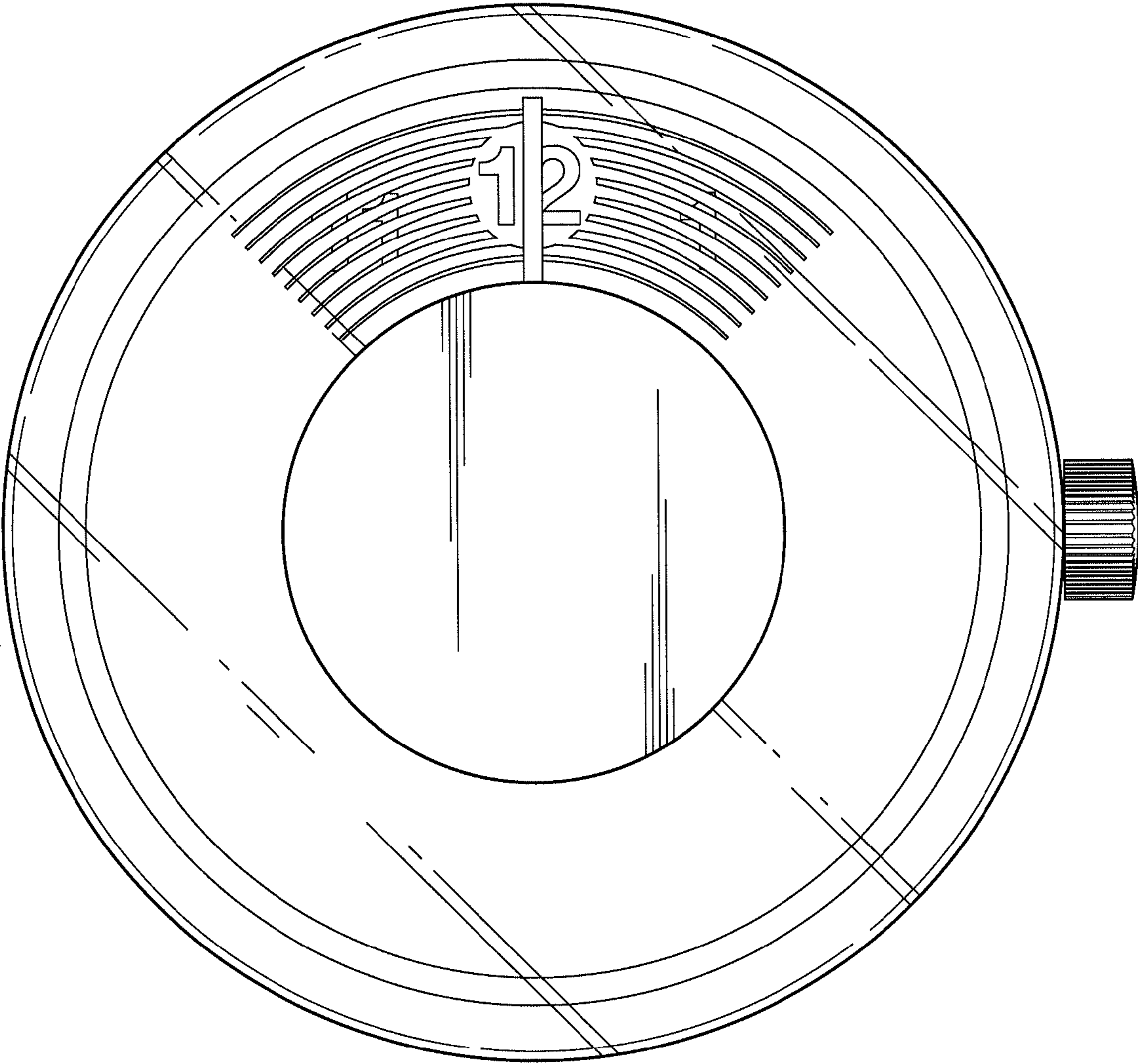


FIG. 8

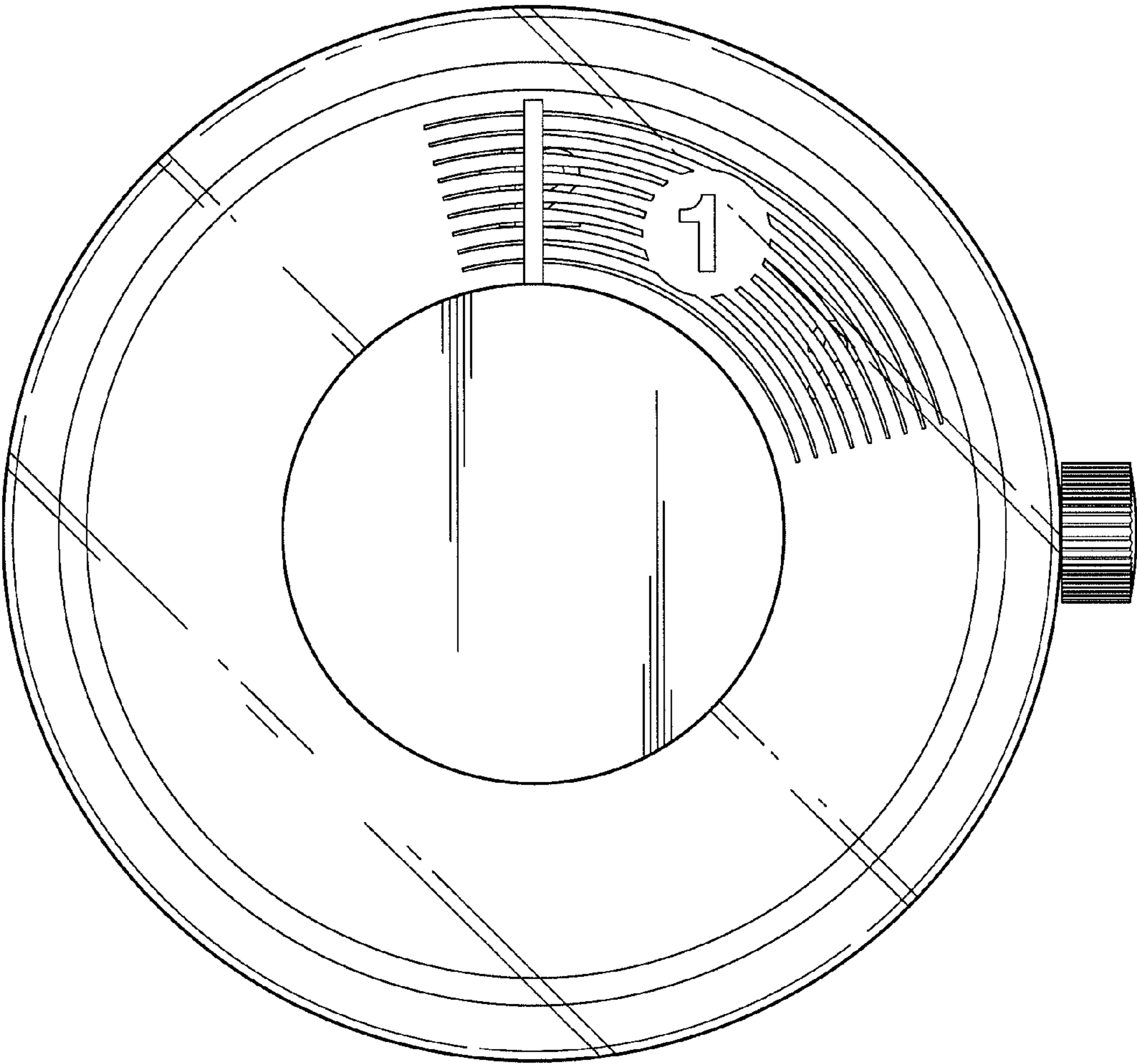


FIG. 9

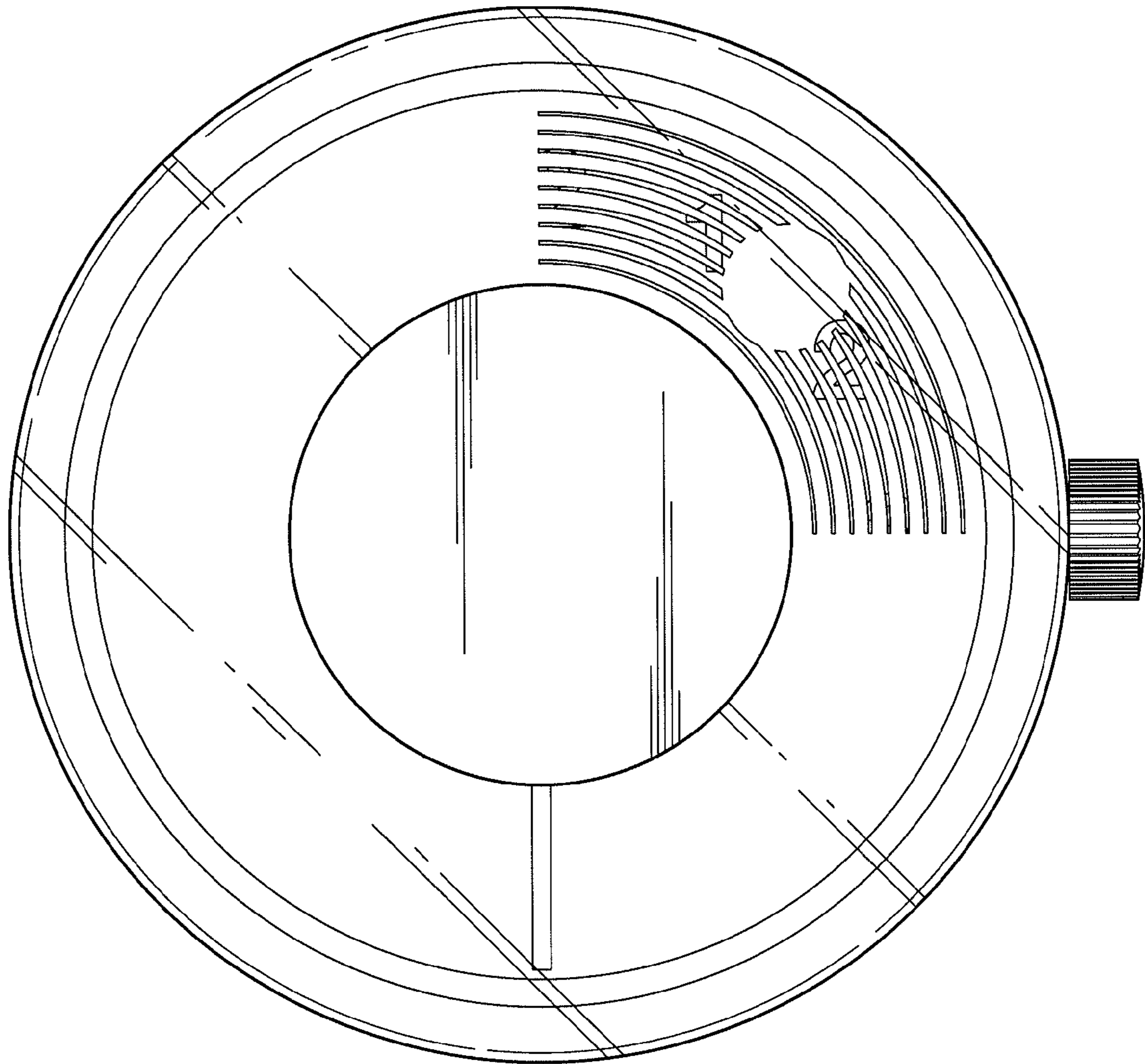


FIG. 10

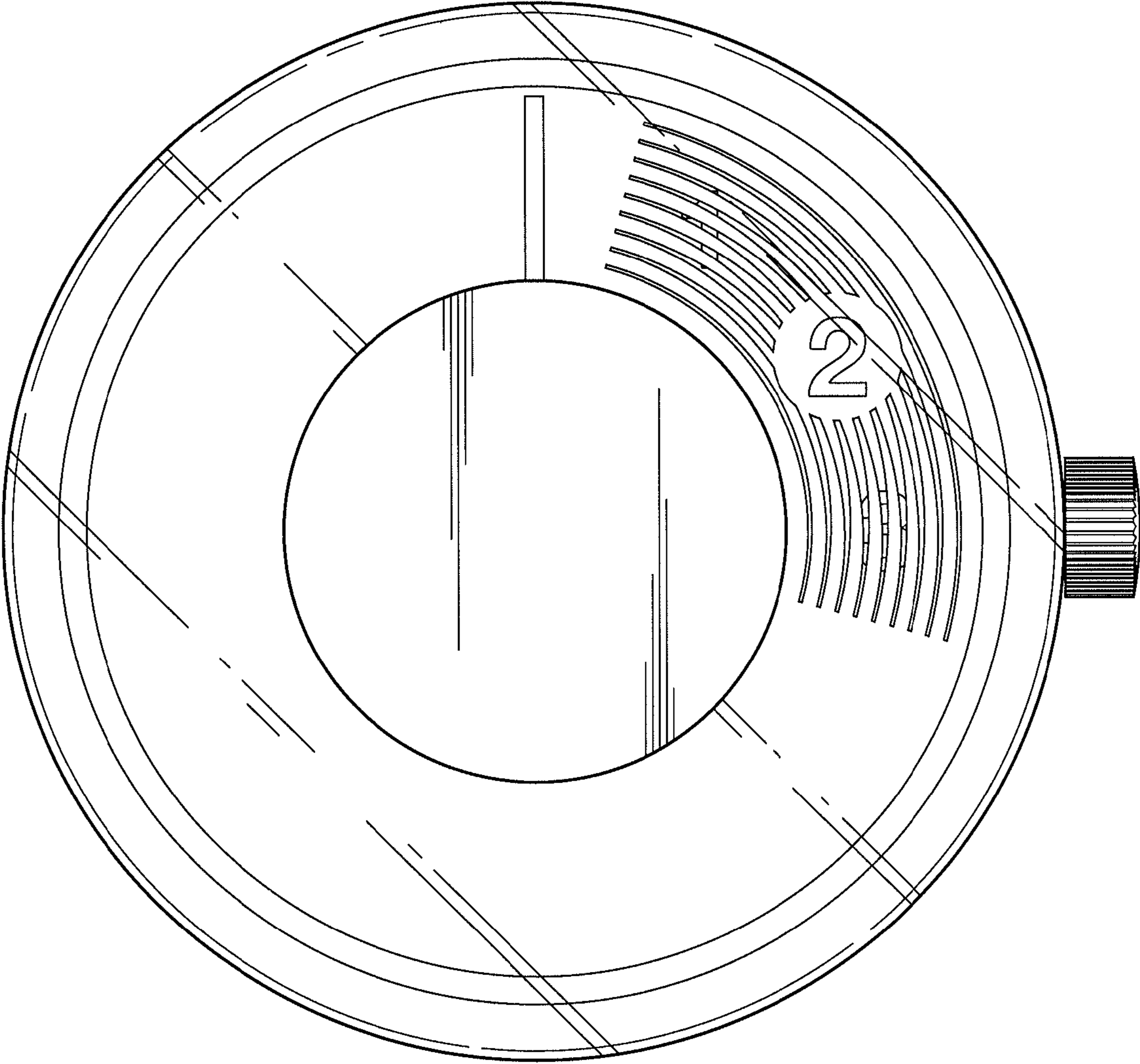


FIG. 11

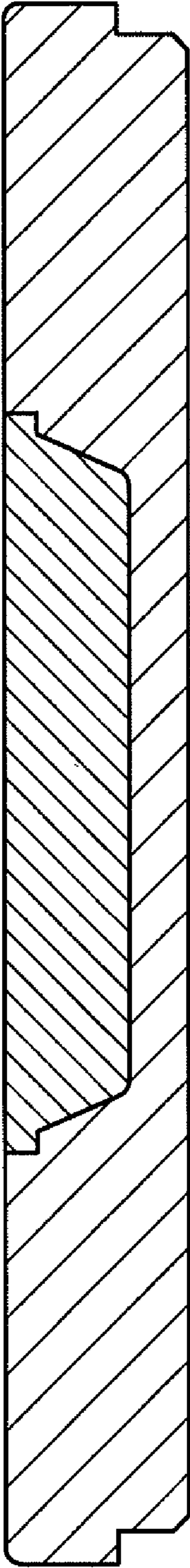


FIG. 12