



US00D672254S

(12) **United States Design Patent**
Scott

(10) **Patent No.:** **US D672,254 S**

(45) **Date of Patent:** **** Dec. 11, 2012**

(54) **WRISTWATCH**

(75) Inventor: **Jeremy Scott**, Los Angeles, CA (US)

(73) Assignee: **Swatch AG (Swatch SA) (Swatch Ltd)**,
Biel/Bienne (CH)

(**) Term: **14 Years**

(21) Appl. No.: **29/408,132**

(22) Filed: **Dec. 7, 2011**

(30) **Foreign Application Priority Data**

Jun. 27, 2011 (WO) DM/076 264

(51) **LOC (9) Cl.** **10-02**

(52) **U.S. Cl.** **D10/32**

(58) **Field of Classification Search** D10/30-39;
368/276, 281, 282, 80, 228, 232, 223
See application file for complete search history.

(56) **References Cited**

U.S. PATENT DOCUMENTS

D224,913	S	*	10/1972	Maroni	D10/32
D323,124	S	*	1/1992	Osawa	D10/39
D356,270	S	*	3/1995	Kaneko	D10/32
5,696,741	A	*	12/1997	Nussbaum	368/281
D413,530	S	*	9/1999	Flury et al.	D10/32

D476,905	S	*	7/2003	El Kadiri	D10/30
D476,906	S	*	7/2003	Nussbaum	D10/30
D477,235	S	*	7/2003	El Kadiri	D10/30
6,605,791	B2	*	8/2003	Grupp	200/512
6,672,758	B2	*	1/2004	Ehram et al.	368/190
6,714,485	B2	*	3/2004	Albisetti et al.	368/27
6,809,993	B1	*	10/2004	Muller et al.	368/242
D530,628	S	*	10/2006	Raffy	D10/32
7,120,093	B2	*	10/2006	Lazaretnik	368/80
D537,740	S	*	3/2007	Grosjean	D10/38
D561,049	S	*	2/2008	Figueiredo	D10/38
D570,230	S	*	6/2008	Monachon	D10/32
D621,725	S	*	8/2010	Wu	D10/20
D631,373	S	*	1/2011	Mikkelsen	D10/32
D649,072	S	*	11/2011	Scott	D10/32
D653,128	S	*	1/2012	Vaptzarof	D10/39

* cited by examiner

Primary Examiner — Lucy Lieberman

(74) *Attorney, Agent, or Firm* — Collen IP; Donald J. Ranft

(57) **CLAIM**

The ornamental design for a wristwatch, as shown.

DESCRIPTION

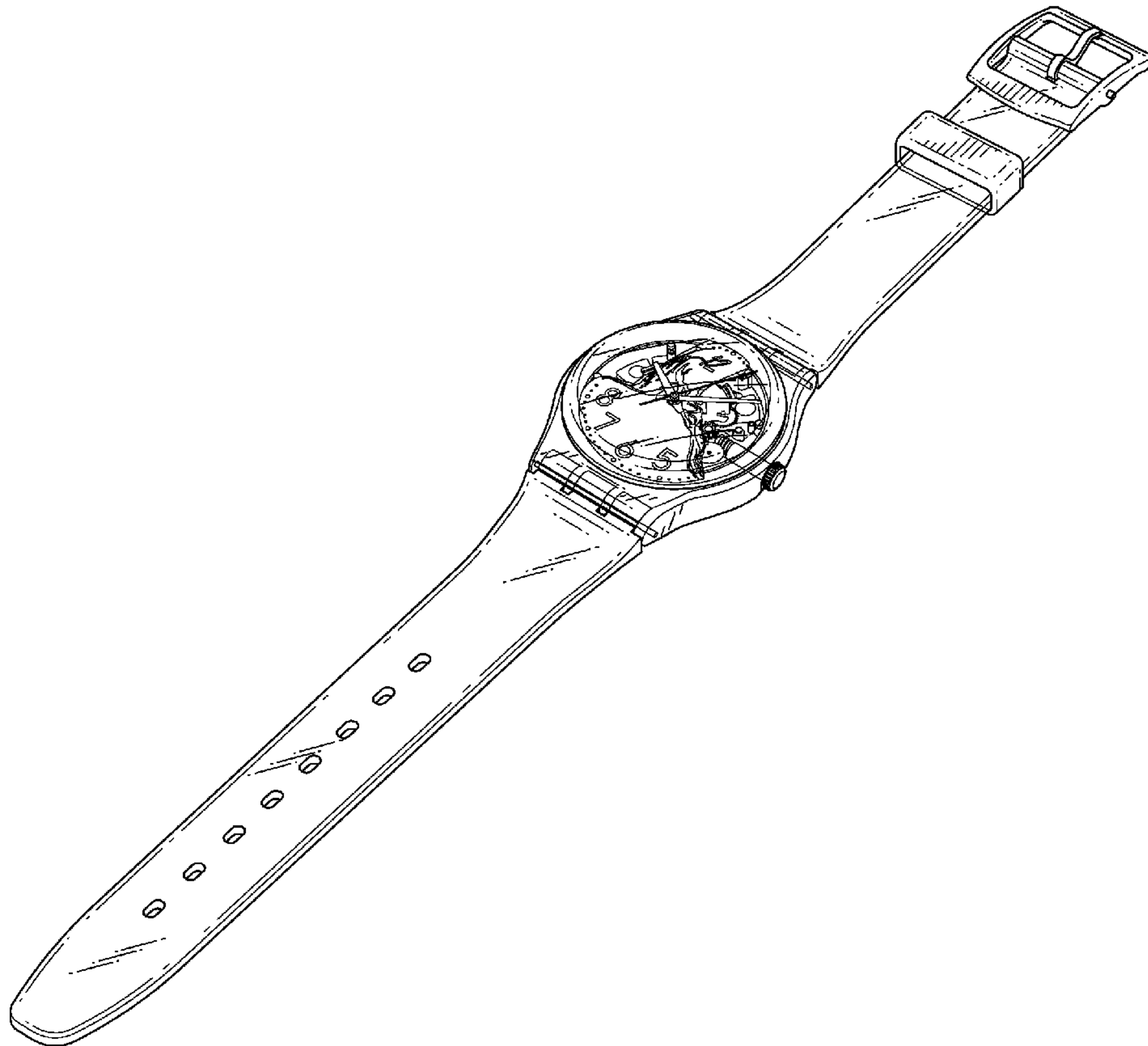
FIG. 1 is a front perspective view of a wristwatch showing my new design;

FIG. 2 is a rear perspective view thereof;

FIG. 3 is a front view thereof; and,

FIG. 4 is a rear view thereof.

1 Claim, 3 Drawing Sheets



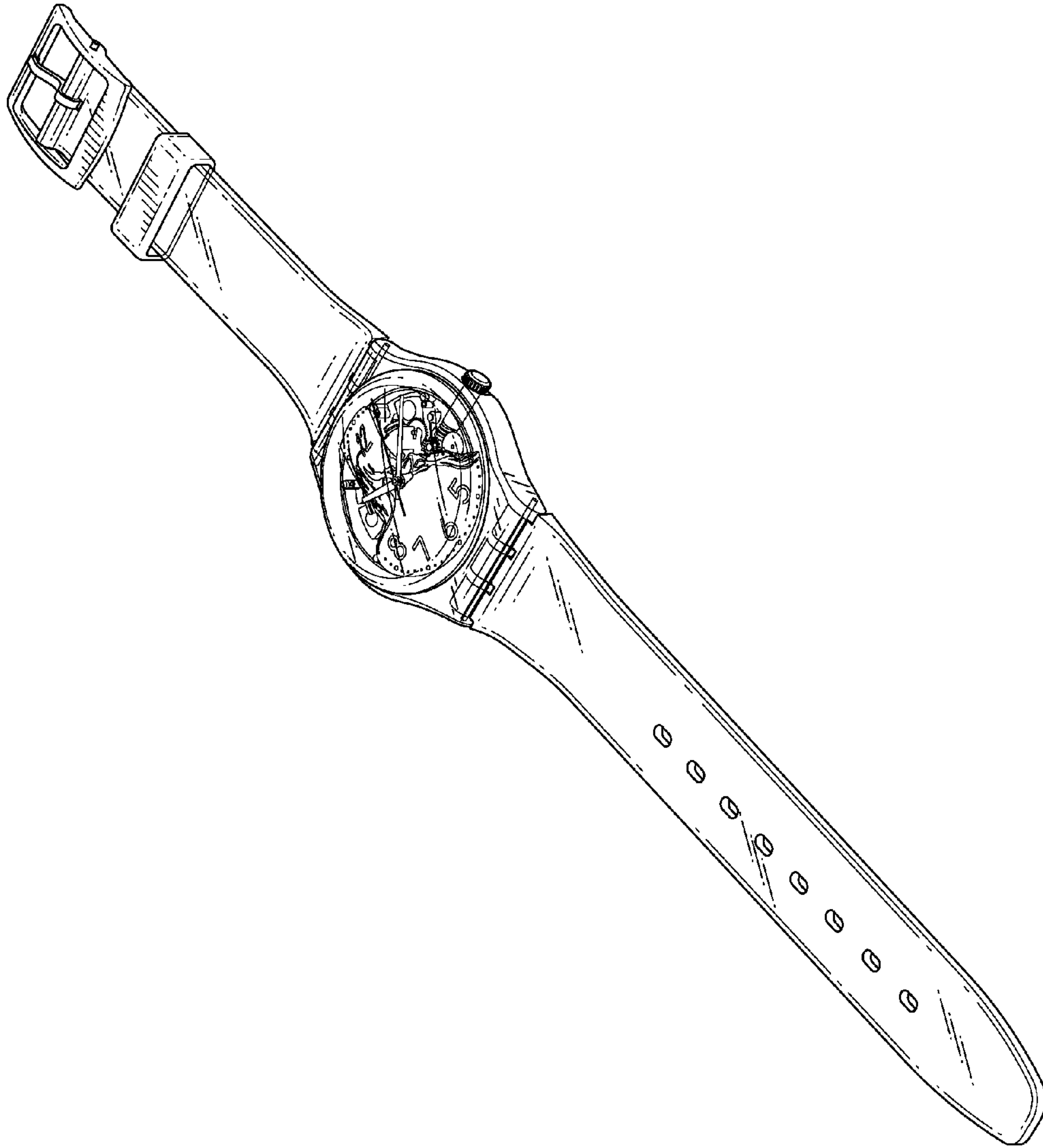


FIG. 1

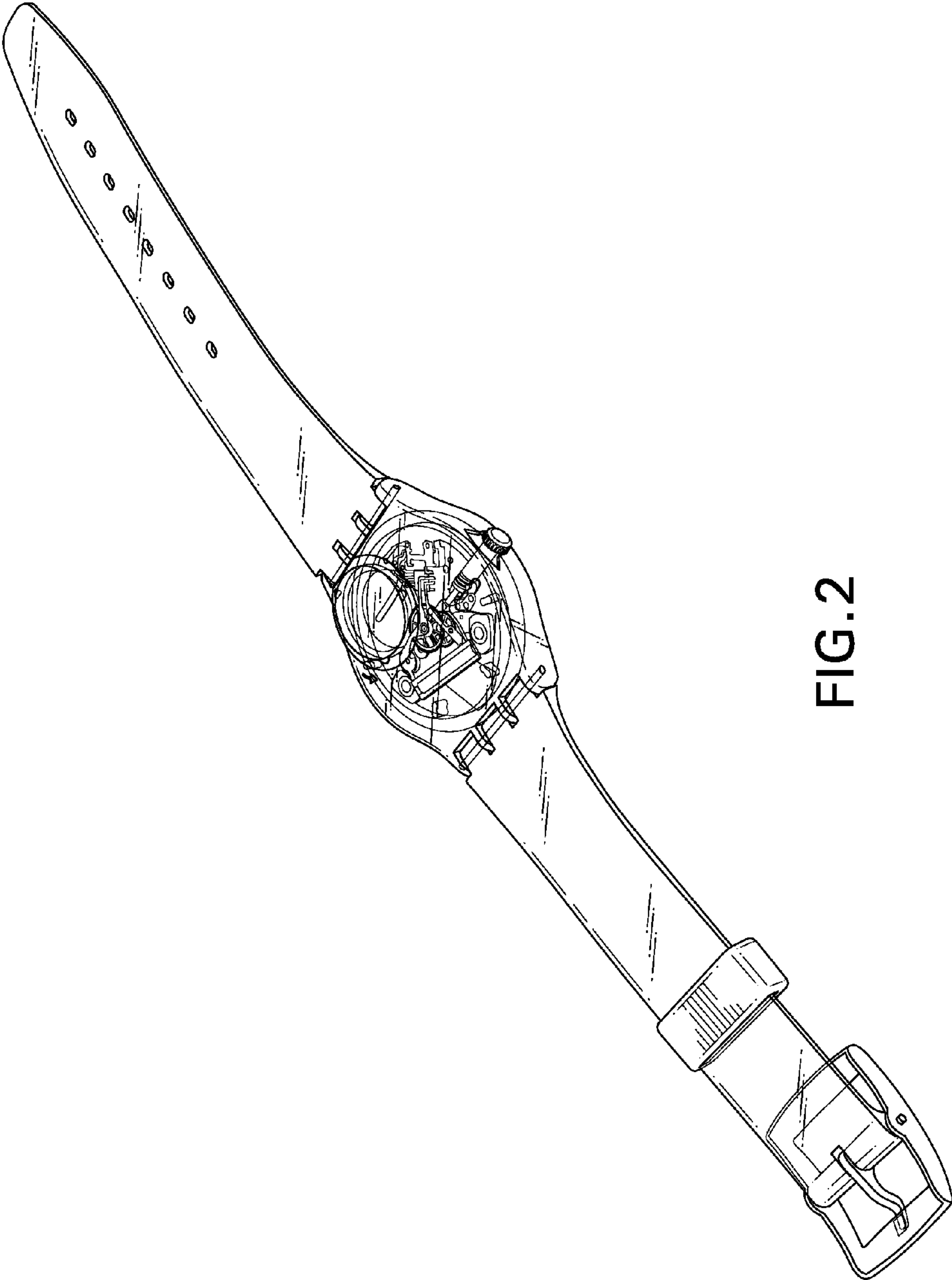


FIG. 2

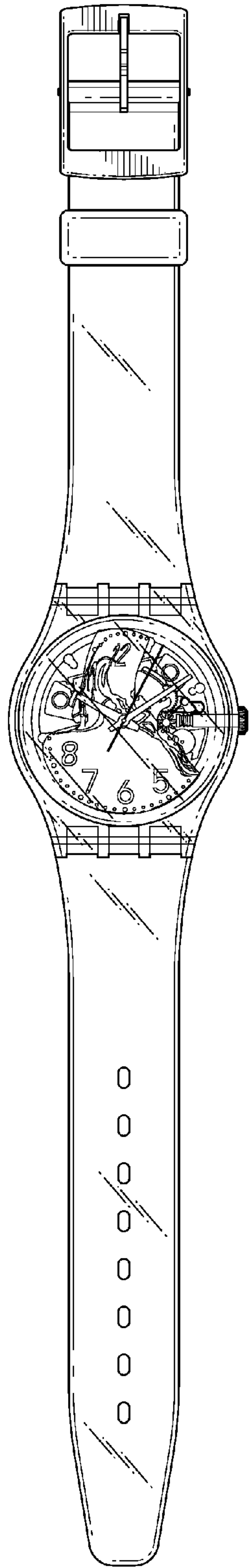


FIG. 3

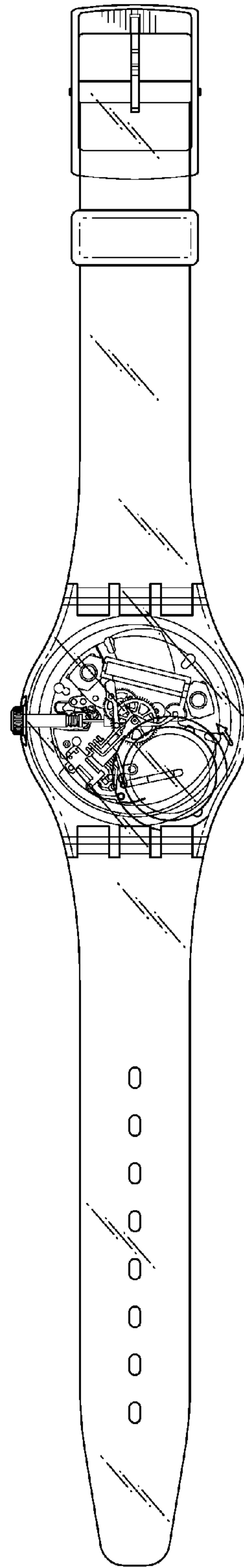


FIG. 4