



US00D672253S

(12) **United States Design Patent**  
**Lee**

(10) **Patent No.:** **US D672,253 S**  
(45) **Date of Patent:** **\*\* Dec. 11, 2012**

(54) **DISPENSING CONTAINER**

(75) Inventor: **Tae Young Lee**, Seoul (KR)

(73) Assignee: **Taejoon Pharm. Co., Ltd.**, Seoul (KR)

(\*\*) Term: **14 Years**

(21) Appl. No.: **29/408,275**

(22) Filed: **Dec. 9, 2011**

(51) **LOC (9) Cl.** ..... **09-03**

(52) **U.S. Cl.** ..... **D9/724**

(58) **Field of Classification Search** ..... D9/338,  
D9/396, 411, 414, 415, 416, 420, 423, 424,  
D9/425, 429, 432, 439, 440, 455, 506, 518,  
D9/522, 523, 529, 530, 544, 545, 553, 564,  
D9/566, 723, 724, 763, 753, 757, 760, 761,  
D9/764, 772, 773, 776; 206/216, 232, 470,  
206/461, 463, 469, 543, 557, 771, 806; 215/275,  
215/381-384, 396, 398

See application file for complete search history.

(56) **References Cited**

**U.S. PATENT DOCUMENTS**

D184,636	S	*	3/1959	Pickerell et al.	.....	D24/115
D264,939	S	*	6/1982	Stock	.....	D9/724
4,629,456	A	*	12/1986	Edwards	.....	604/300
6,197,008	B1	*	3/2001	Hagele	.....	604/295
D451,396	S	*	12/2001	Johnson et al.	.....	D9/530
6,371,945	B1	*	4/2002	Sherman	.....	604/302
D536,623	S	*	2/2007	Ozaki et al.	.....	D9/724
D591,168	S	*	4/2009	Otsuka	.....	D9/724

D626,849	S	*	11/2010	Wilson et al.	.....	D9/538
2001/0001196	A1	*	5/2001	Hawthorne	.....	206/219
2003/0034322	A1	*	2/2003	Doherty et al.	.....	215/228

\* cited by examiner

*Primary Examiner* — Stella Reid

*Assistant Examiner* — Lauren Calve

(74) *Attorney, Agent, or Firm* — Lexyoume IP Meister, PLLC.

(57) **CLAIM**

The ornamental design for a dispensing container, as shown and described.

**DESCRIPTION**

FIG. 1 is a perspective view of a dispensing container showing our new design;

FIG. 2 is a front elevational view thereof;

FIG. 3 is a rear elevational view thereof;

FIG. 4 is a left side elevational view thereof;

FIG. 5 is a right side elevational view thereof;

FIG. 6 is a top plan view thereof;

FIG. 7 is a bottom plan view thereof;

FIG. 8 is a perspective view of the dispensing container showing our new design in a state in which the cap is separated therefrom;

FIG. 9 is a perspective view of the dispensing container showing our new design in a state in which the cap is combined with the dispensing container; and,

FIG. 10 is a cross-sectional view according to the line A-A of FIG. 3 showing the inside of the cap in a state in which the cap is combined with the dispensing container.

The broken lines in FIGS. 8 to 10 are for illustrative purpose only and form no part of the claimed design.

**1 Claim, 10 Drawing Sheets**

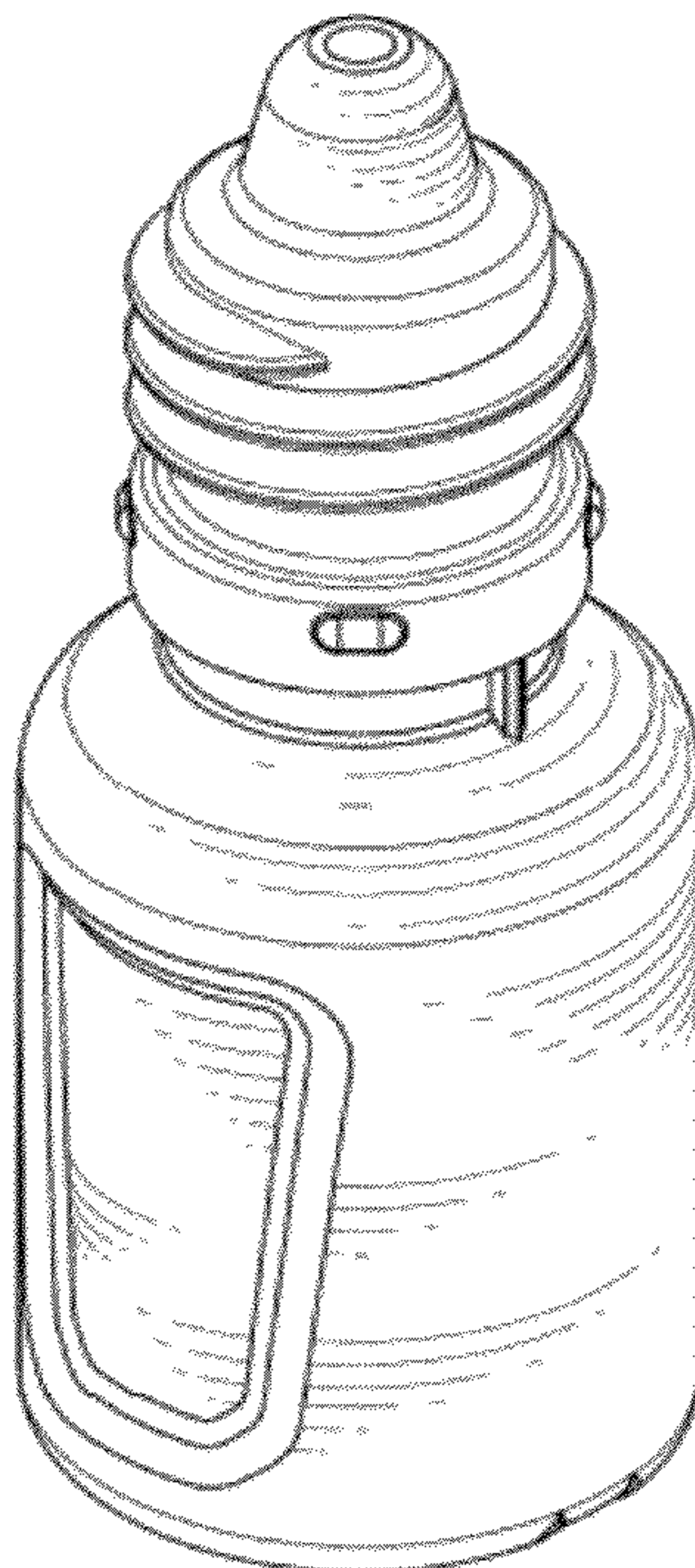


FIG. 1

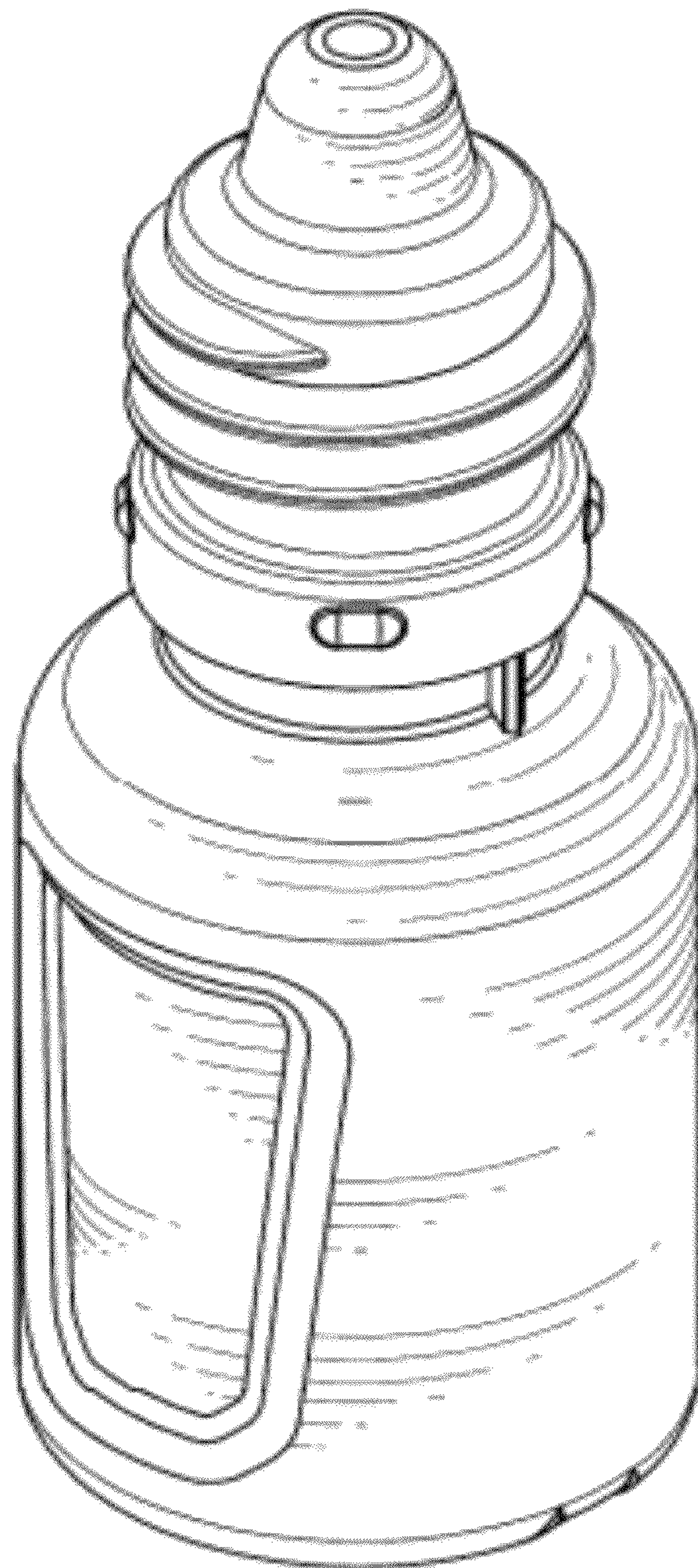




FIG. 2

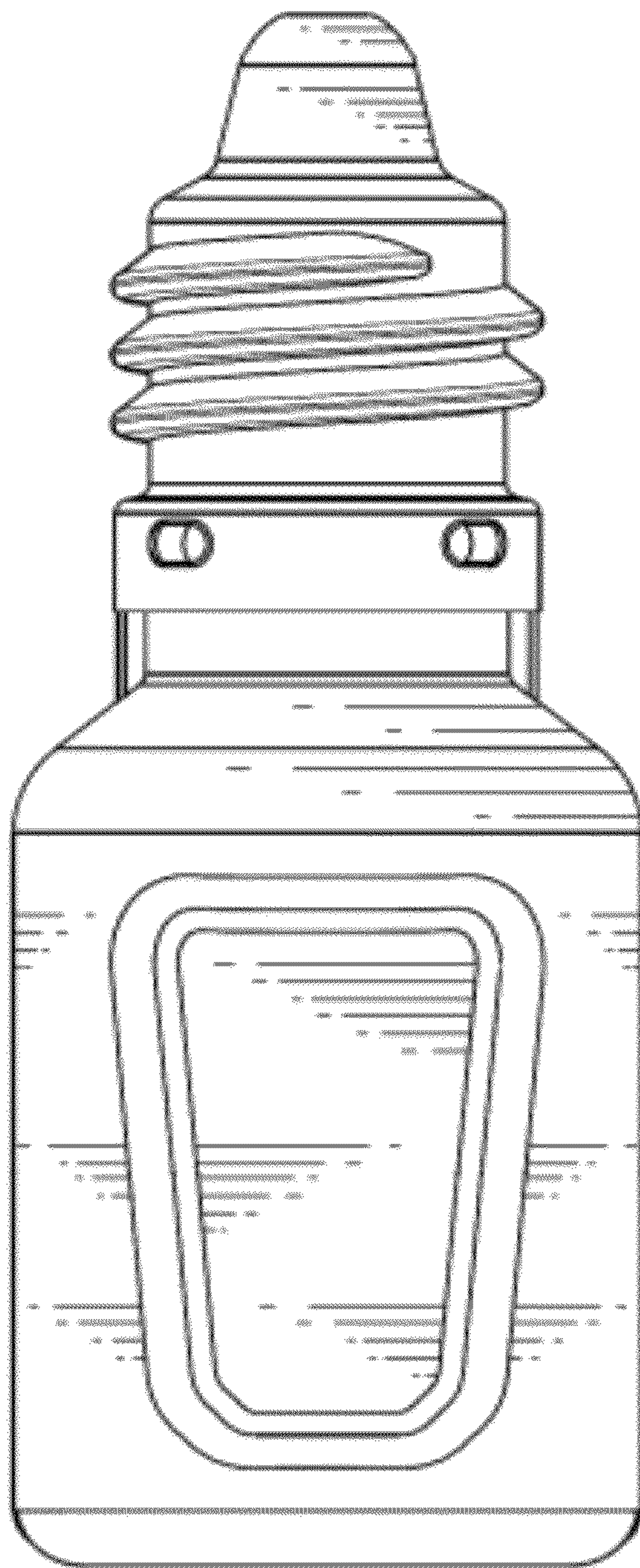


FIG. 3

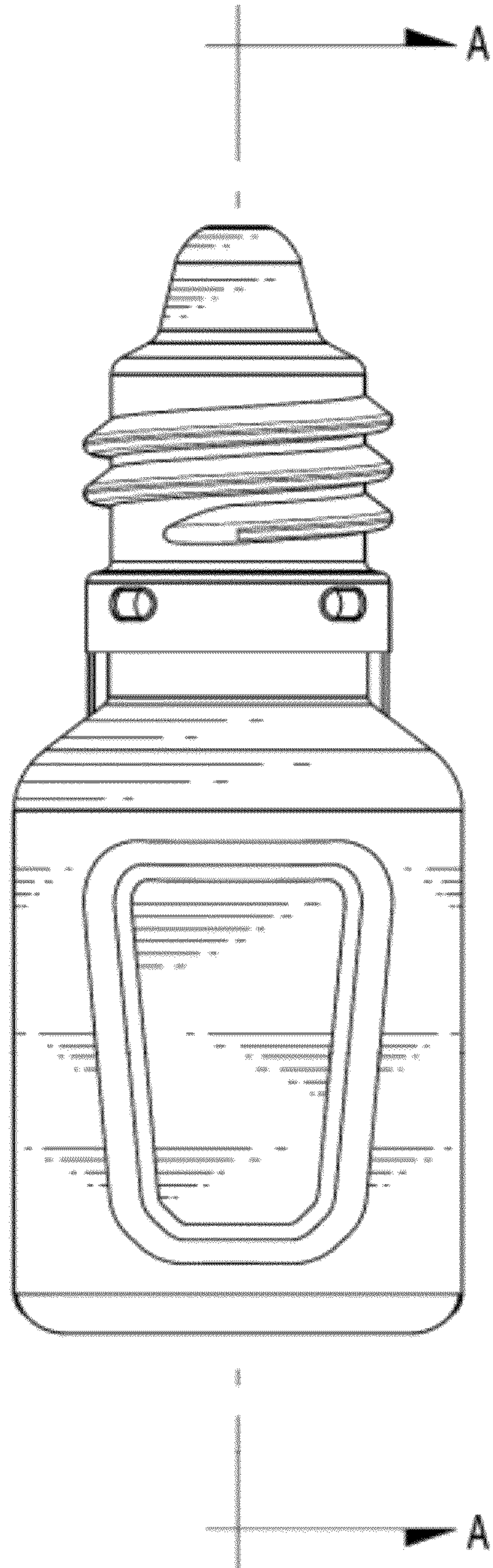




FIG. 4

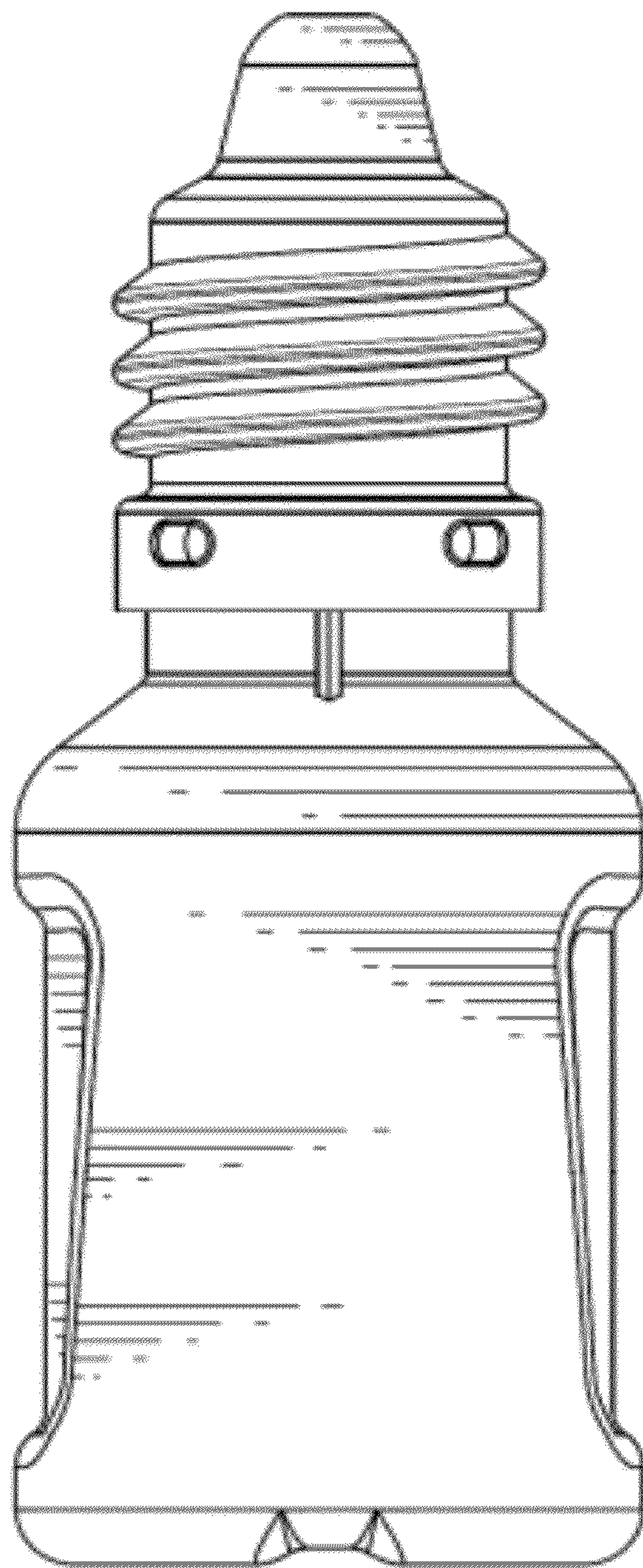


FIG. 5

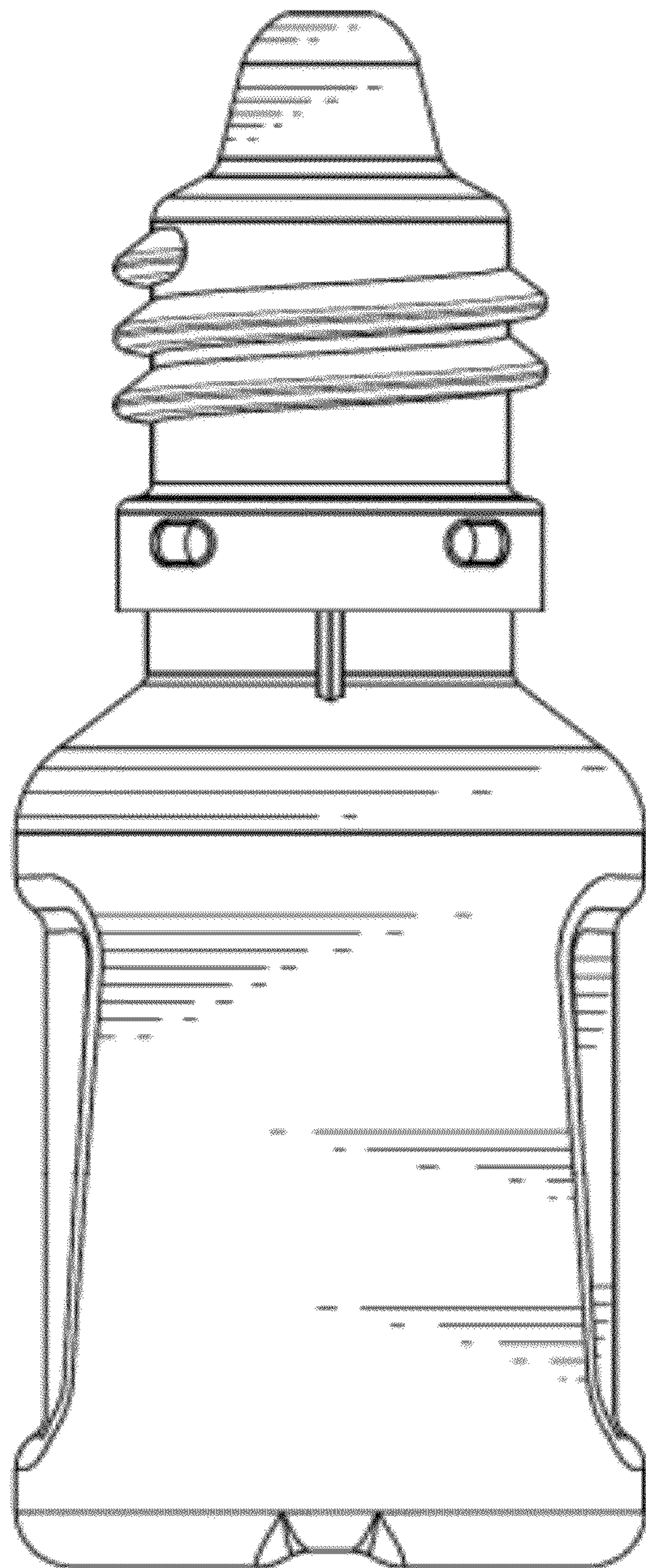




FIG. 6

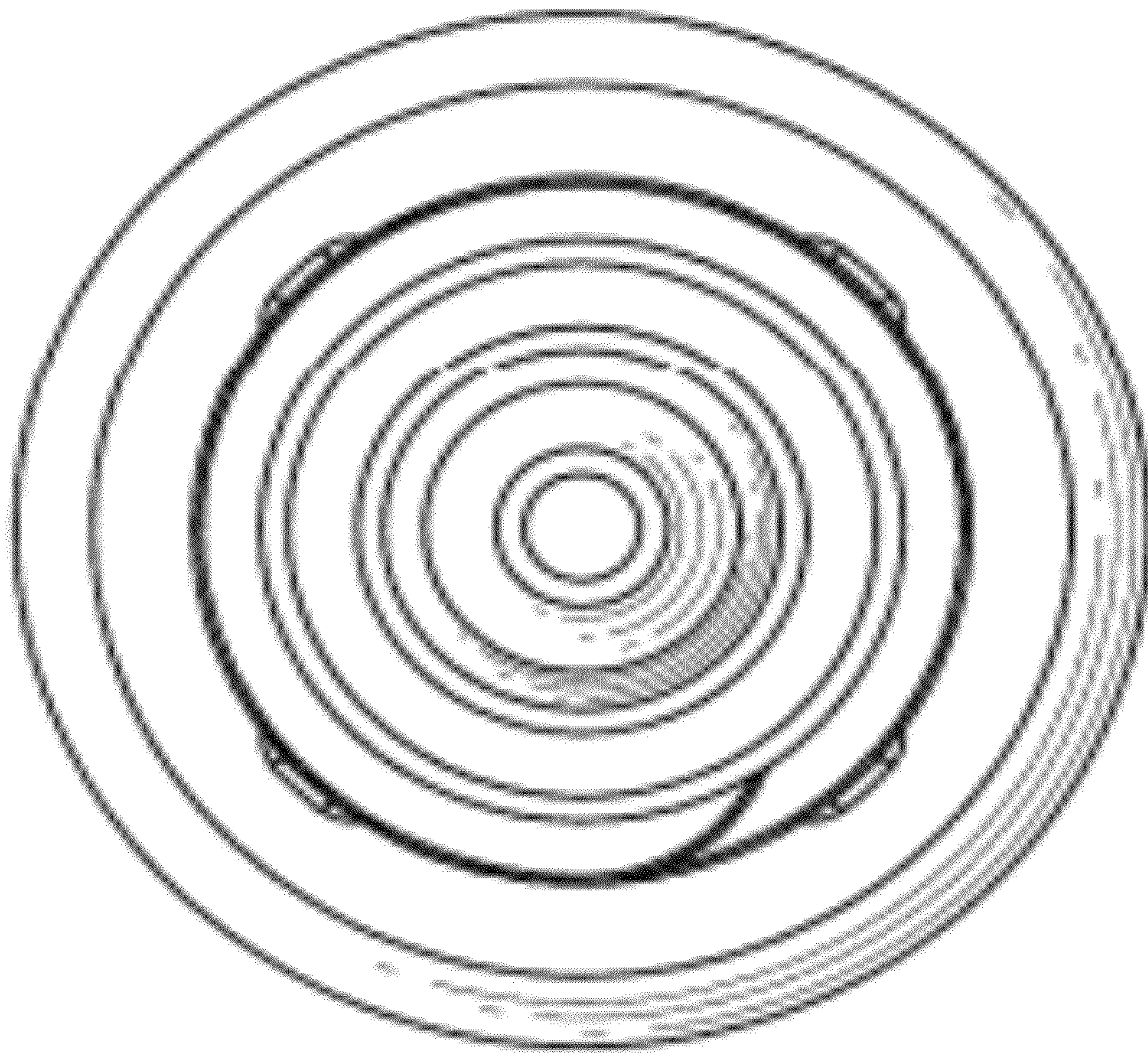




FIG. 7

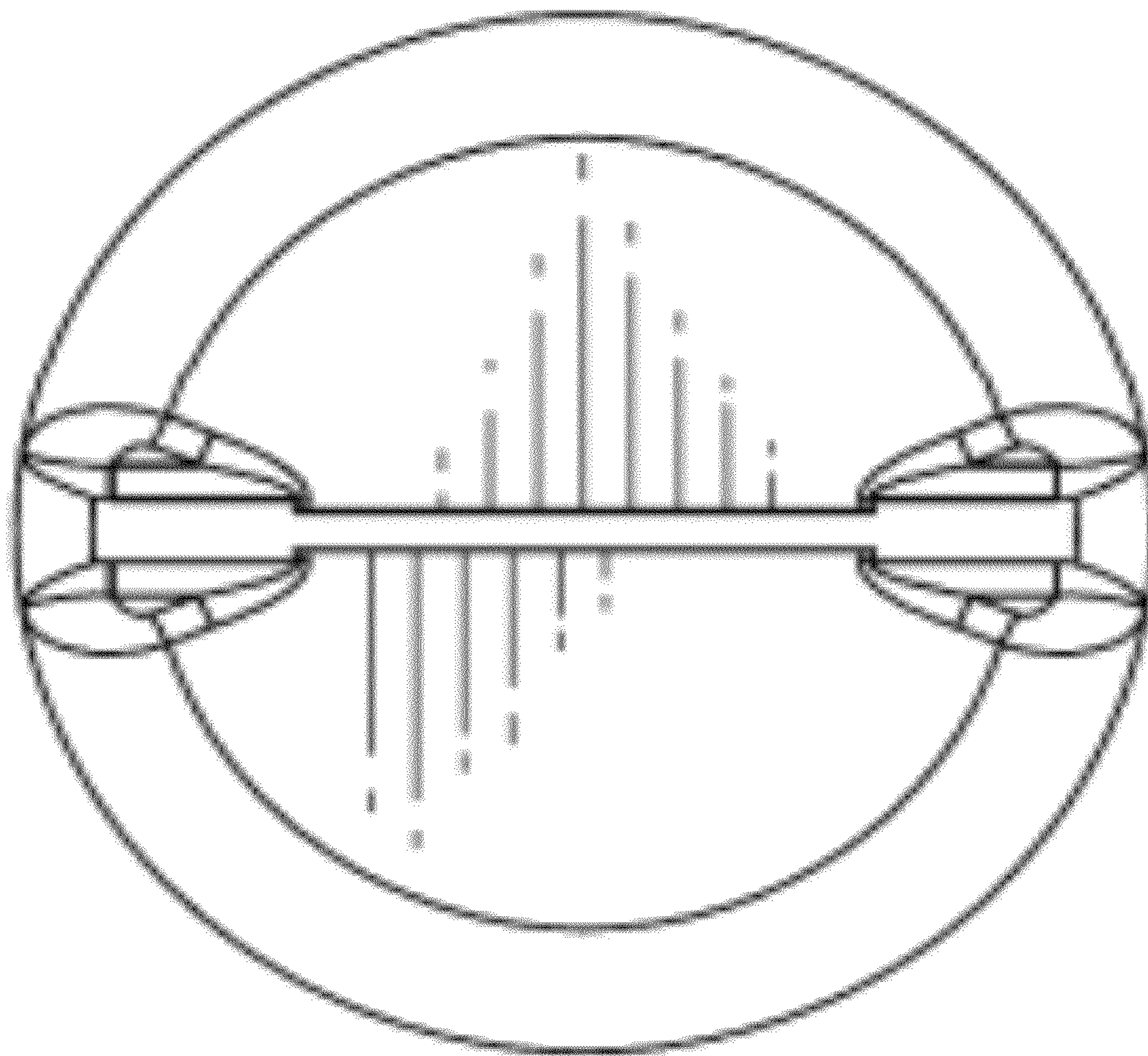




FIG. 8

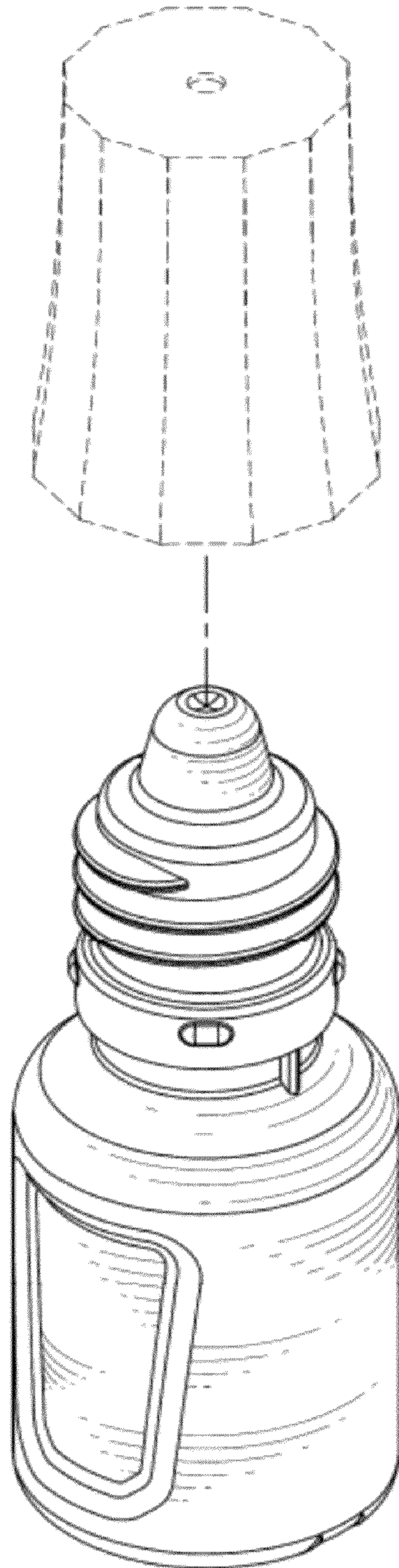


FIG. 9

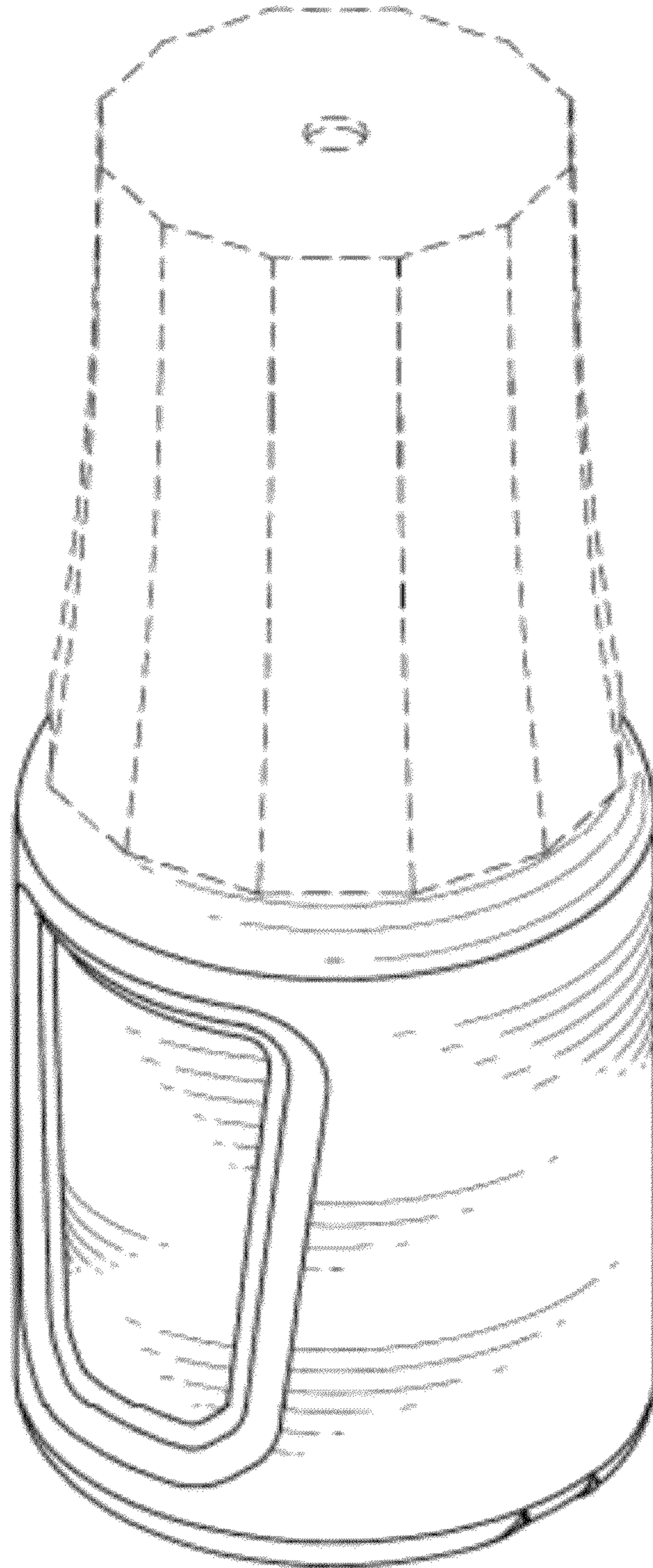




FIG. 10

