



US00D672246S

(12) **United States Design Patent**
McCay et al.

(10) **Patent No.:** **US D672,246 S**

(45) **Date of Patent:** **** Dec. 11, 2012**

(54) **CONTAINER**

(75) Inventors: **James McCay**, Fairfield, CT (US); **Peter B. Clarke**, Fairfield, CT (US); **Edmund Farmer**, Seymour, CT (US); **Vernon N. Goetz**, Villa Hills, KY (US); **Stacy Sorby**, McDonough, GA (US); **Christian Zmoelnig**, Stockbridge, GA (US)

(73) Assignee: **SD IP Holdings Company**, Cincinnati, OH (US)

(**) Term: **14 Years**

(21) Appl. No.: **29/420,450**

(22) Filed: **May 9, 2012**

Related U.S. Application Data

(62) Division of application No. 29/361,005, filed on May 4, 2010, now Pat. No. Des. 661,591.

(51) **LOC (9) Cl.** **09-01**

(52) **U.S. Cl.** **D9/528; D9/516; D9/543; D9/564; D9/571**

(58) **Field of Classification Search** D9/516, D9/523, 528, 530, 531, 541, 543, 559, 560, D9/564, 565, 569-571, 575; 215/381-385; 220/660, 662, 669

See application file for complete search history.

(56) **References Cited**

U.S. PATENT DOCUMENTS

D204,325	S	*	4/1966	Myers et al.	D9/529
D403,591	S	*	1/1999	Nijs et al.	D9/531
D406,243	S	*	3/1999	Ricci	D9/544
D453,685	S	*	2/2002	Lane et al.	D9/552
D538,667	S	*	3/2007	Hague et al.	D9/528
D612,734	S	*	3/2010	Sarsfield-Thomas et al. .	D9/516
D632,966	S	*	2/2011	Pedmo et al.	D9/541
D660,163	S	*	5/2012	Miller et al.	D9/528
D661,590	S	*	6/2012	McCay et al.	D9/523
D661,591	S	*	6/2012	McCay et al.	D9/523

* cited by examiner

Primary Examiner — Keli L Hill

(74) *Attorney, Agent, or Firm* — McDermott Will & Emery LLP

(57) **CLAIM**

We claim the ornamental design for a container, as shown and described.

DESCRIPTION

FIG. 1 is a perspective view of a container according to the new design;
FIG. 2 left side elevation view of the container shown in FIG. 1;
FIG. 3 is a cross-sectional view of the container taken along the line 3-3 in FIG. 2;
FIG. 4 right side elevation view of the container shown in FIG. 1
FIG. 5 front elevation view of the container shown in FIG. 1;
FIG. 6 rear elevation view of the container shown in FIG. 1;
FIG. 7 top elevation view of the container shown in FIG. 1;
and,
FIG. 8 bottom elevation view of the container shown in FIG. 1.

1 Claim, 6 Drawing Sheets

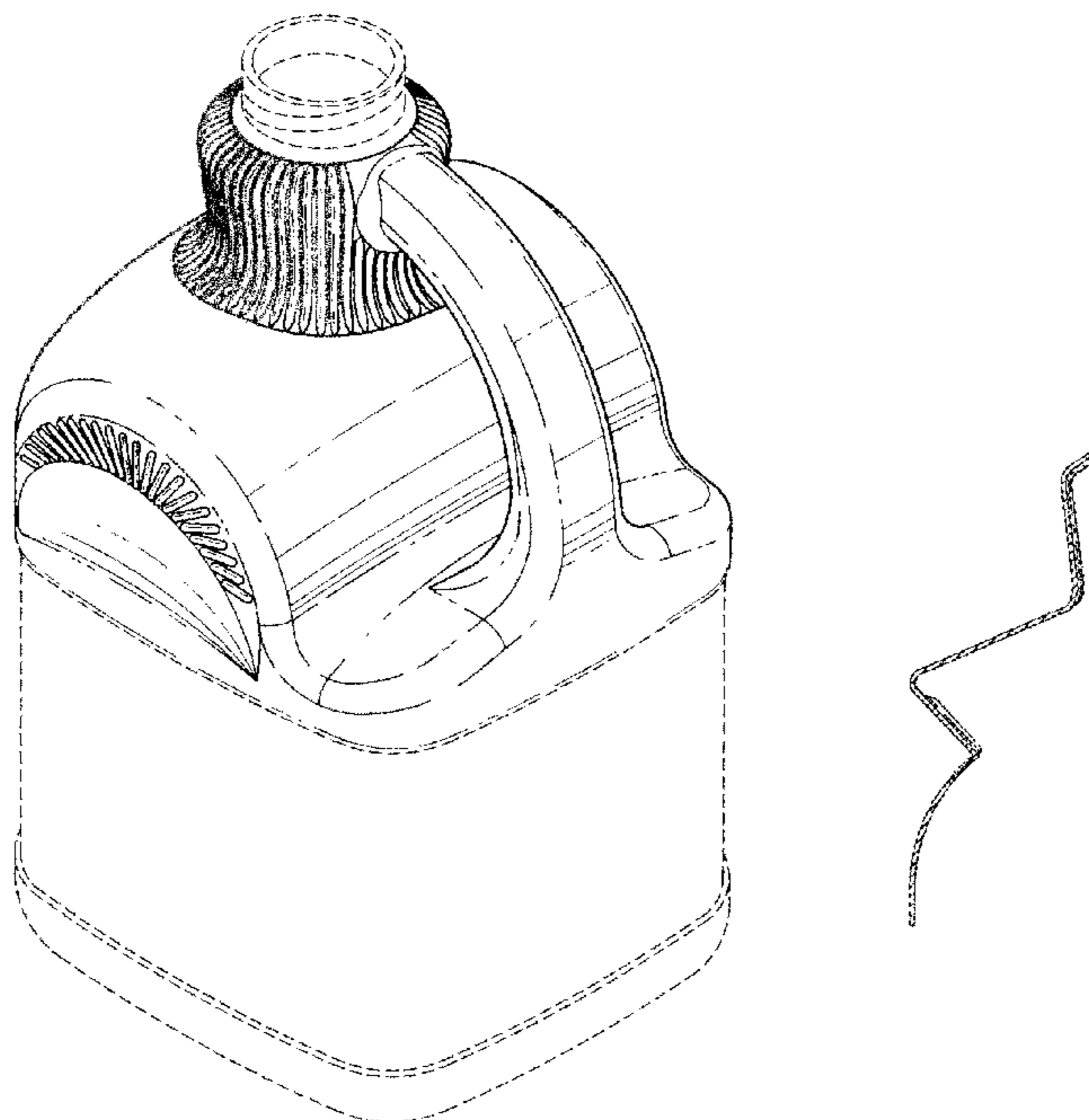
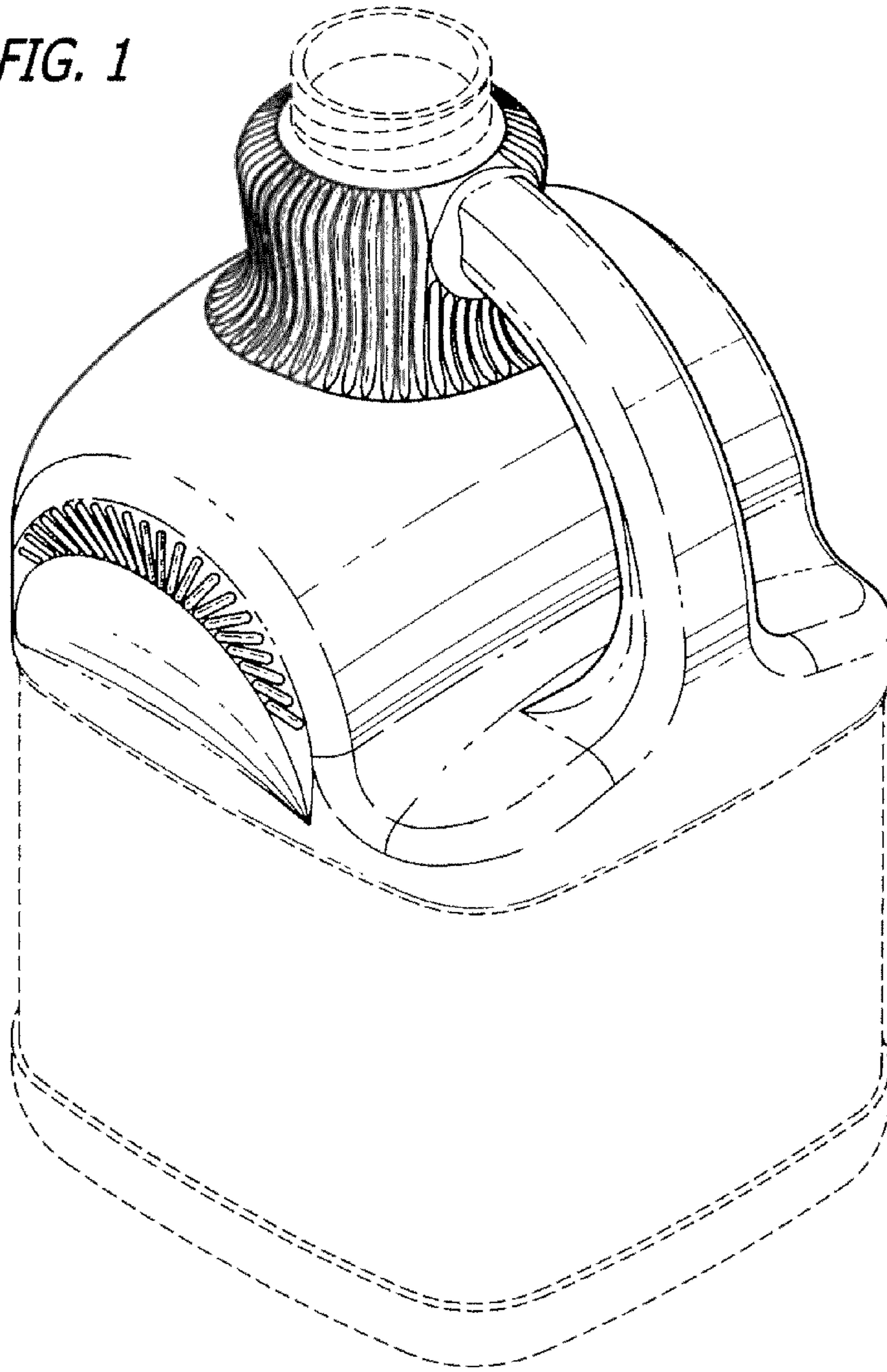


FIG. 1



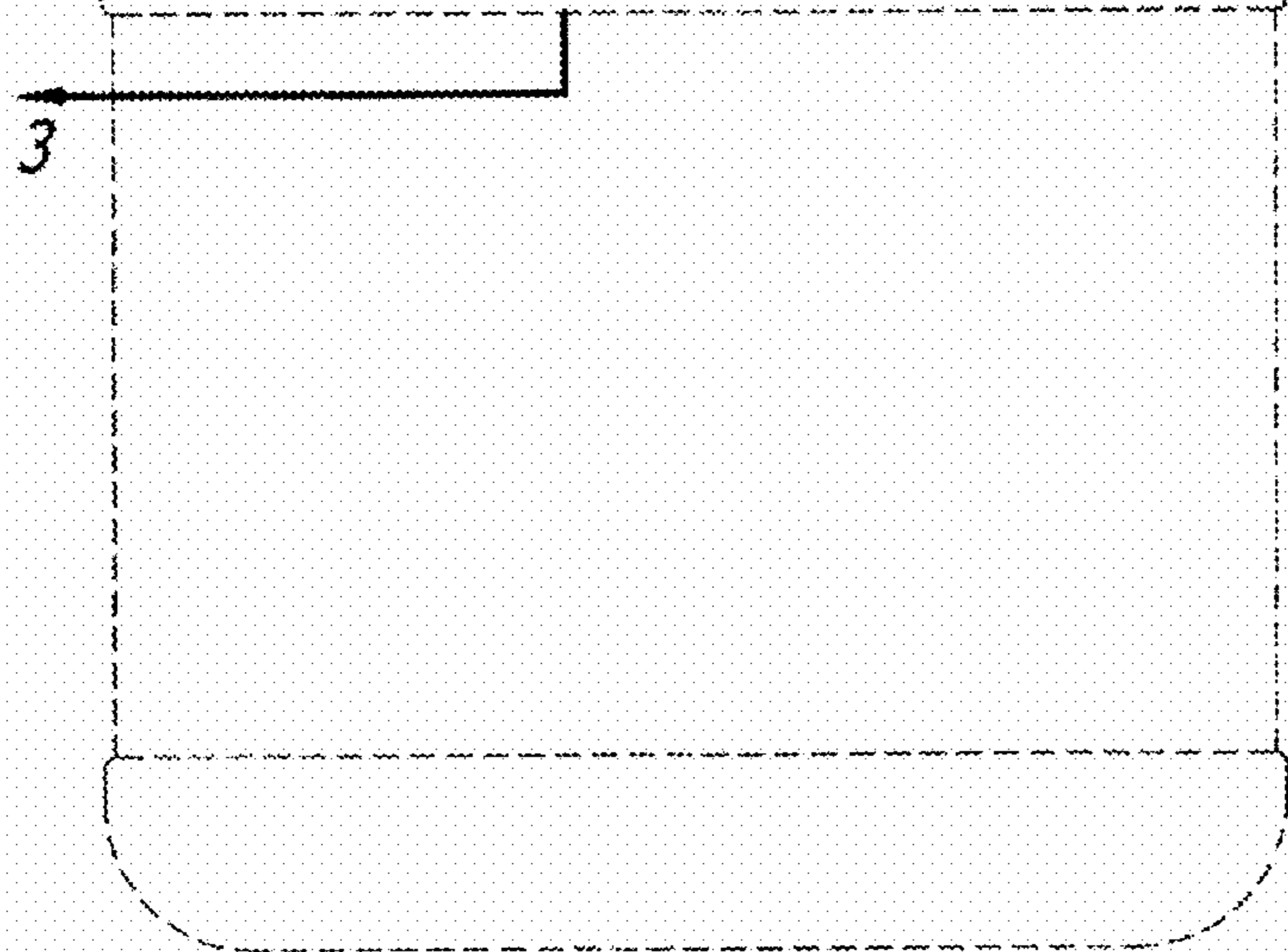
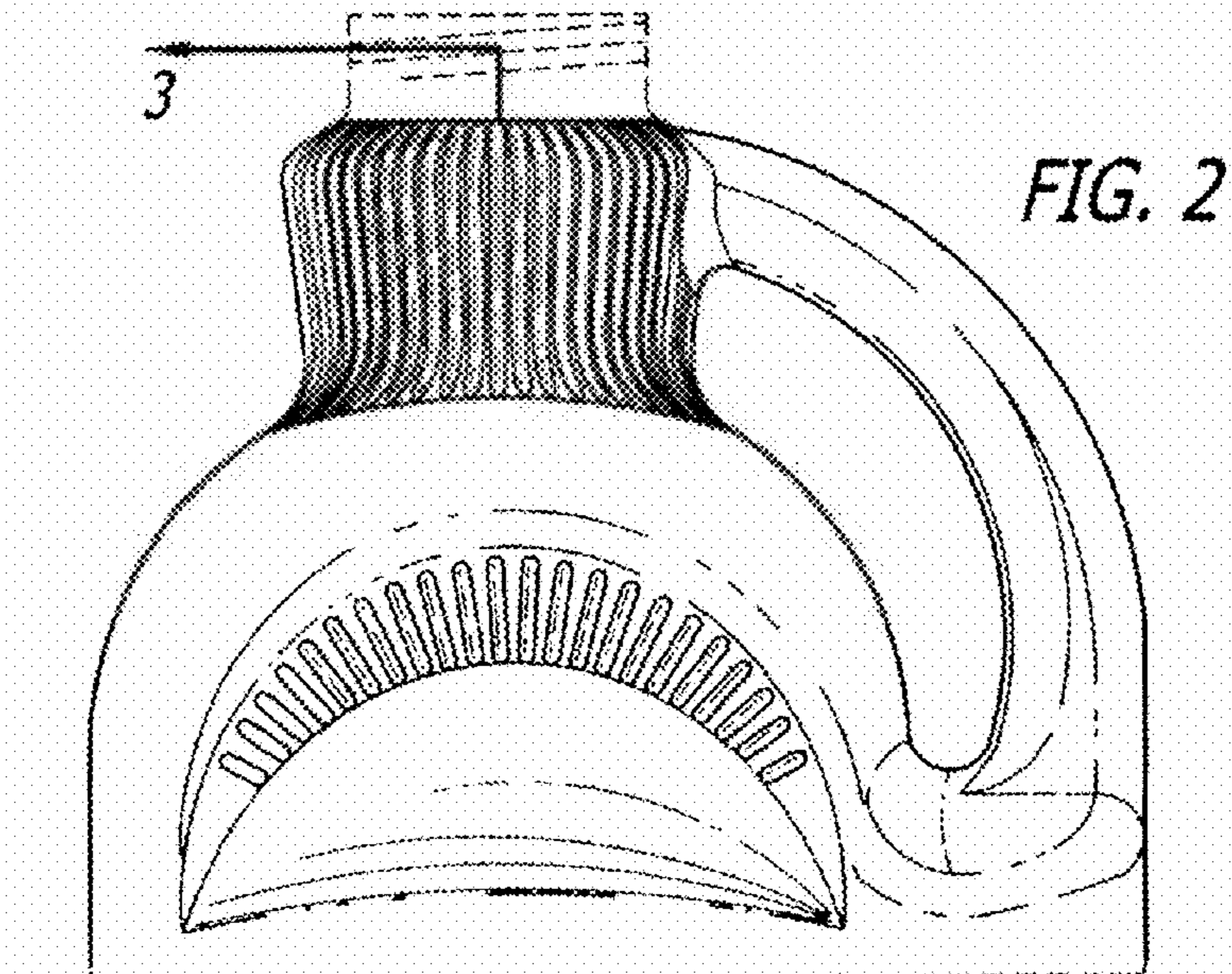


FIG. 3

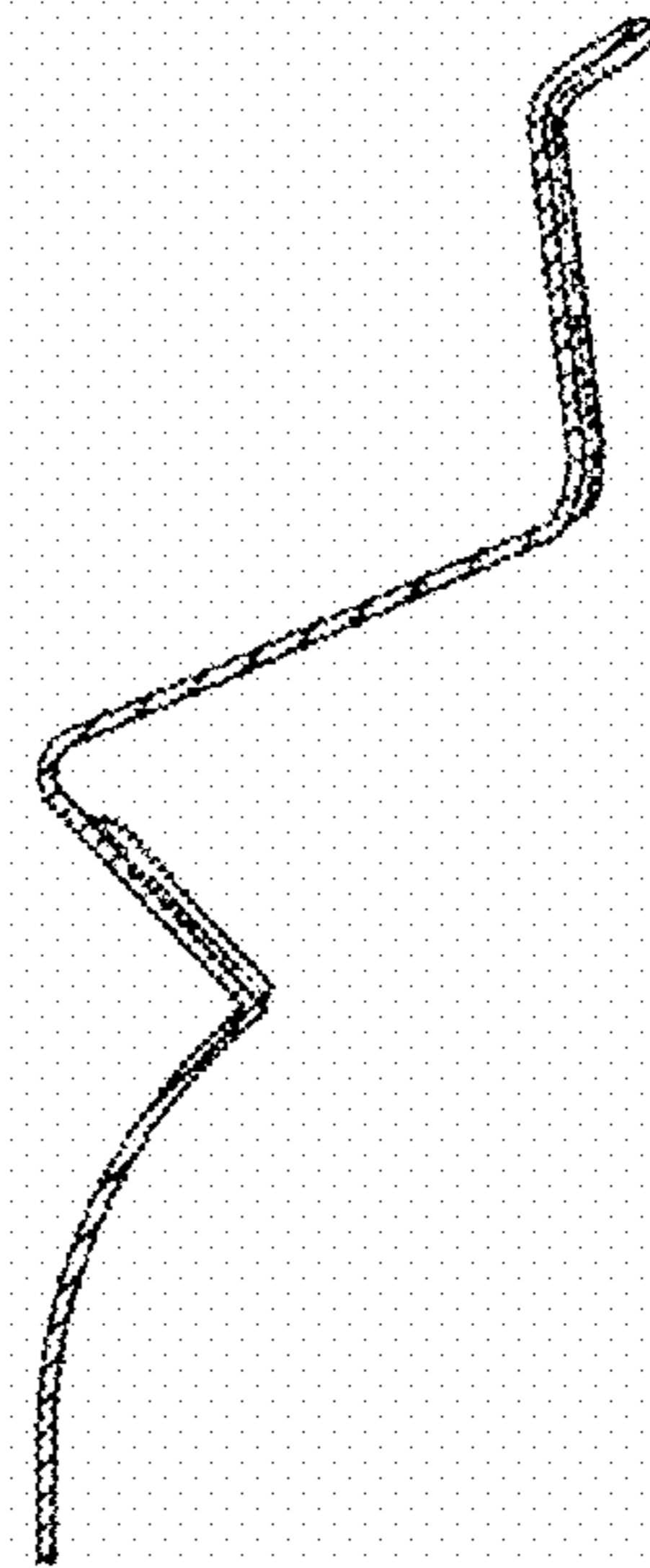


FIG. 4

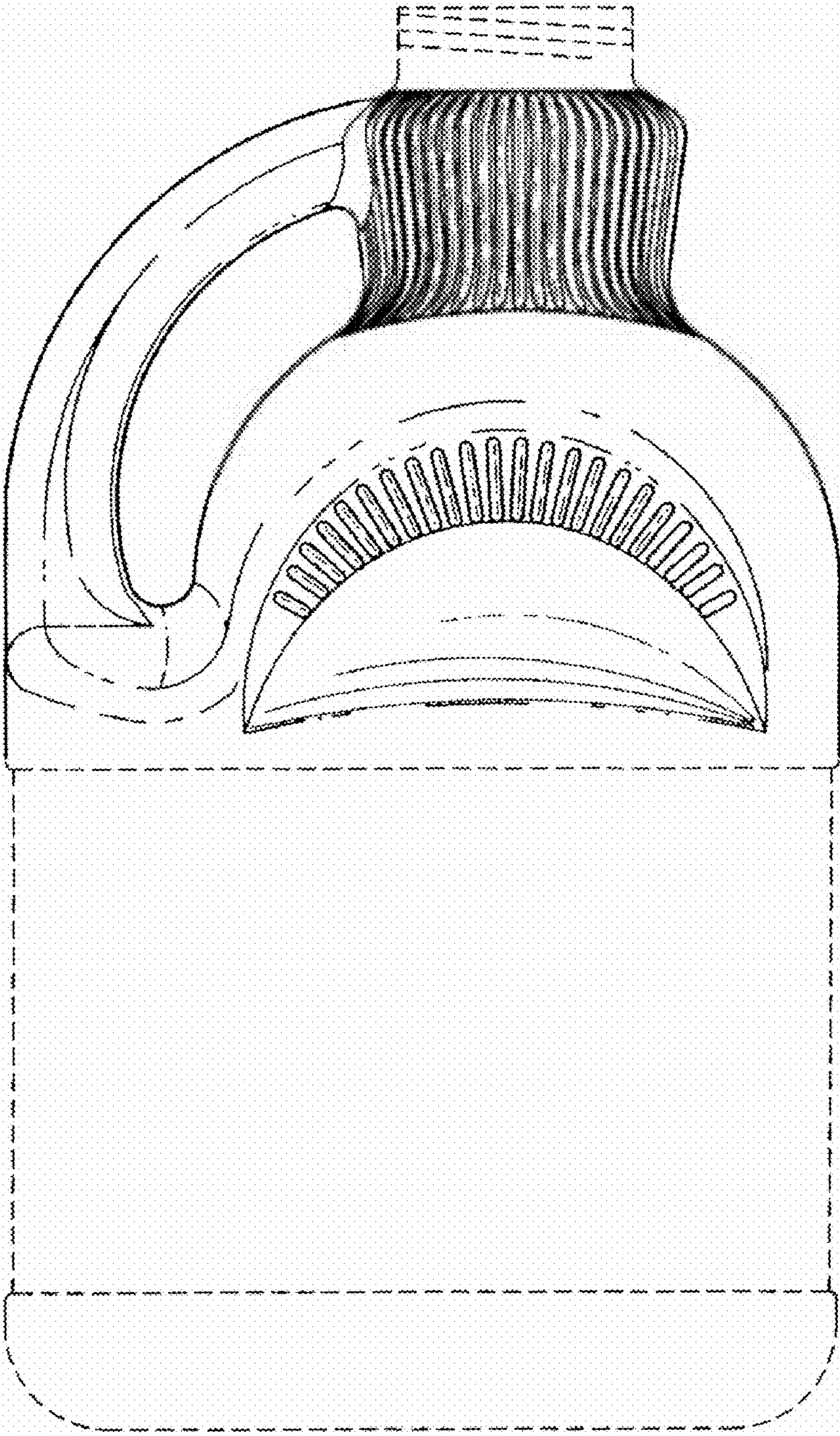


FIG. 5

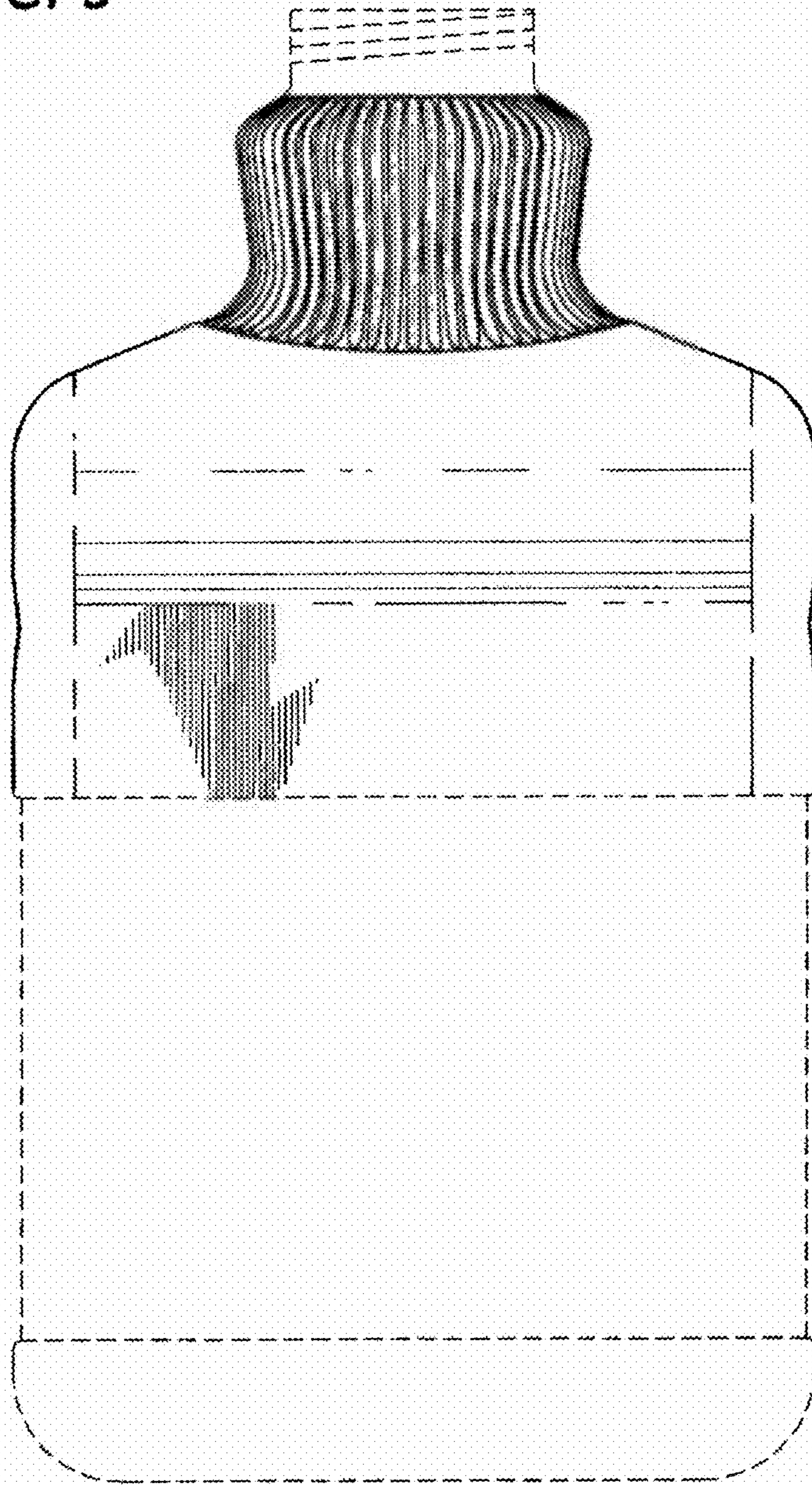


FIG. 6

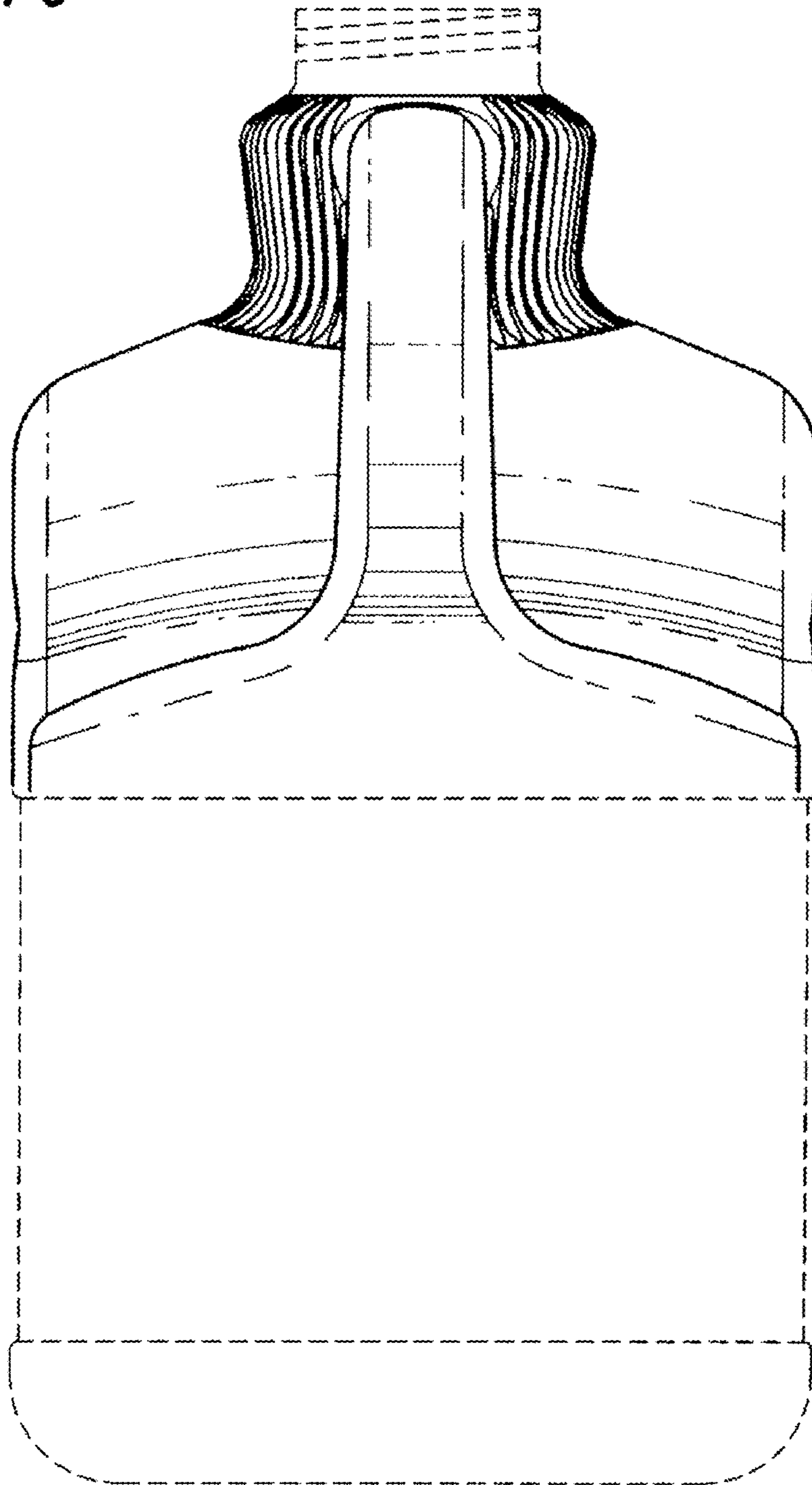


FIG. 7

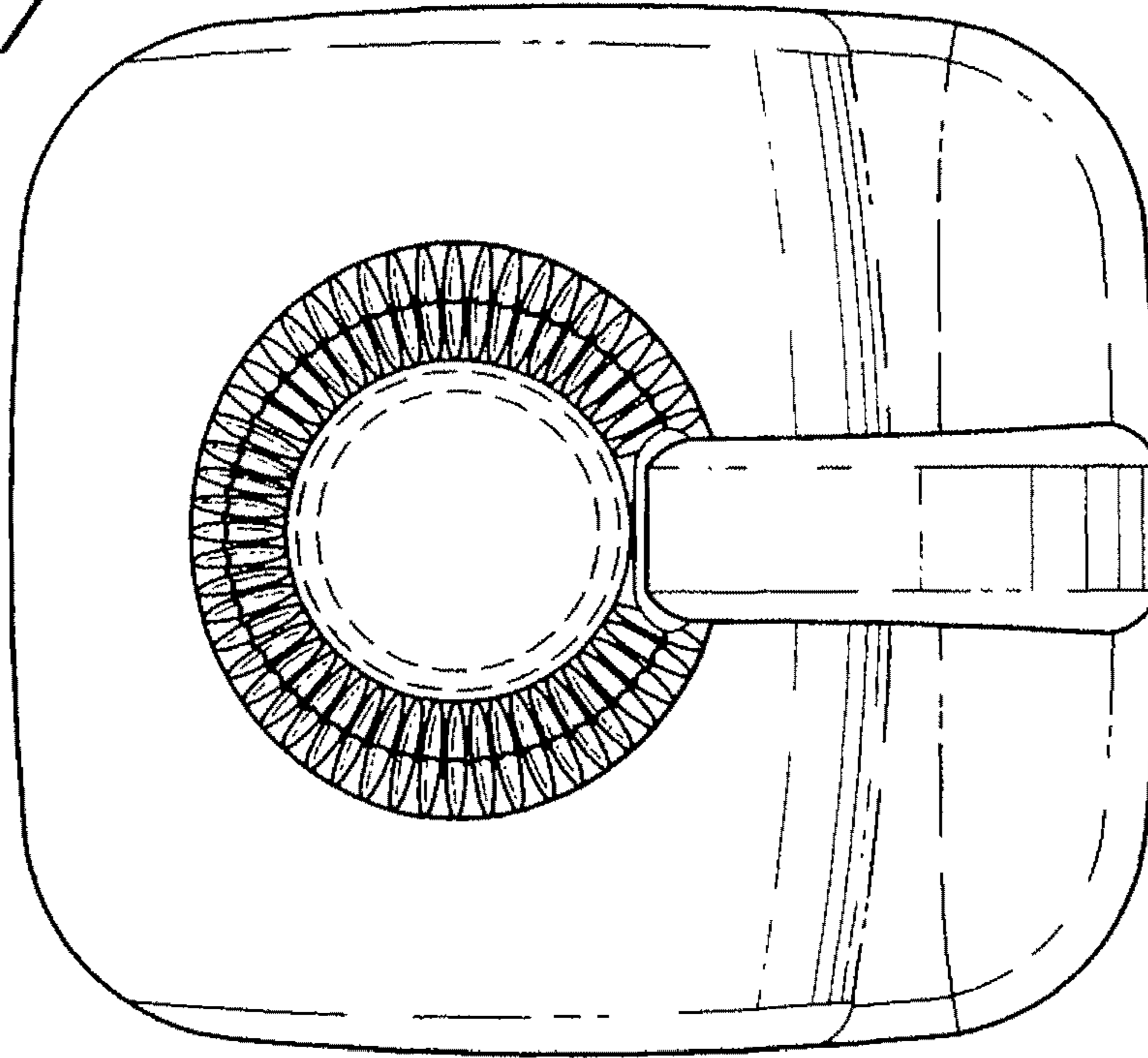


FIG. 8

