



US00D672241S

(12) **United States Design Patent**  
**Sawicki et al.**

(10) **Patent No.:** **US D672,241 S**

(45) **Date of Patent:** **\*\* Dec. 11, 2012**

(54) **BOTTLE CLOSURE**

(75) Inventors: **Craig R. Sawicki**, Roselle, IL (US);  
**Timothy Jacobs**, Schaumburg, IL (US)

(73) Assignee: **Tricorbraun Inc.**, St. Louis, MO (US)

(\*\*) Term: **14 Years**

(21) Appl. No.: **29/388,163**

(22) Filed: **Mar. 24, 2011**

(51) **LOC (9) Cl.** ..... **09-07**

(52) **U.S. Cl.** ..... **D9/449; D9/453**

(58) **Field of Classification Search** ..... D9/529,  
D9/503, 454, 453, 449, 447, 446, 442, 440,  
D9/435; D7/392.1; 222/556, 521, 494, 492;  
220/837, 835, 820, 811, 810, 375, 260, 254.7,  
220/254.3; 215/322, 321, 306, 305, 237,  
215/235; 206/540, 539, 538, 216  
See application file for complete search history.

(56) **References Cited**

**U.S. PATENT DOCUMENTS**

D314,147 S \* 1/1991 Davis ..... D9/446  
5,934,512 A \* 8/1999 Lampe et al. .... 222/108  
5,934,514 A \* 8/1999 Lampe et al. .... 222/153.06  
D476,232 S \* 6/2003 Maus et al. .... D9/449

D548,081 S \* 8/2007 Noonan ..... D9/453  
D582,276 S \* 12/2008 Hyde et al. .... D9/453  
D621,260 S \* 8/2010 Brannon et al. .... D9/449  
D636,265 S \* 4/2011 Gartner ..... D9/453

\* cited by examiner

*Primary Examiner* — Susan Bennett Hattan

(74) *Attorney, Agent, or Firm* — H. Frederick Rusche;  
Husch Blackwell LLP

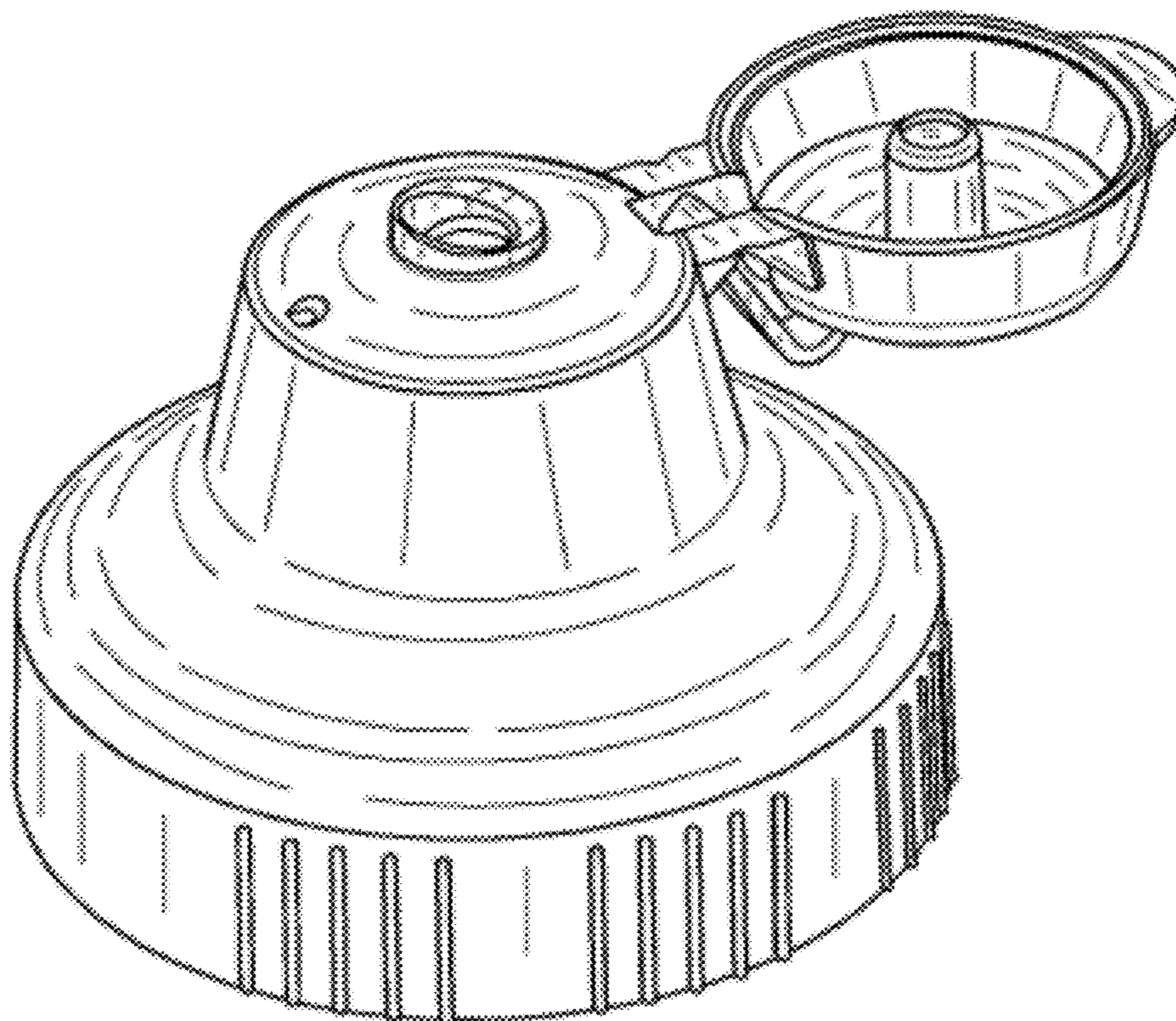
(57) **CLAIM**

We claim the ornamental design for a bottle closure, as shown and described.

**DESCRIPTION**

FIG. 1 is a top perspective view of a bottle closure with its lid in the open position showing my new design;  
FIG. 2 is a bottom perspective view thereof;  
FIG. 3 is a front view thereof;  
FIG. 4 is a rear view thereof;  
FIG. 5 is top view thereof;  
FIG. 6 is a bottom view thereof;  
FIG. 7 is a left side view thereof;  
FIG. 8 is a right side view thereof; and,  
FIG. 9 is a cross sectional view of the bottle closure along line 9-9 of FIG. 5.

**1 Claim, 4 Drawing Sheets**



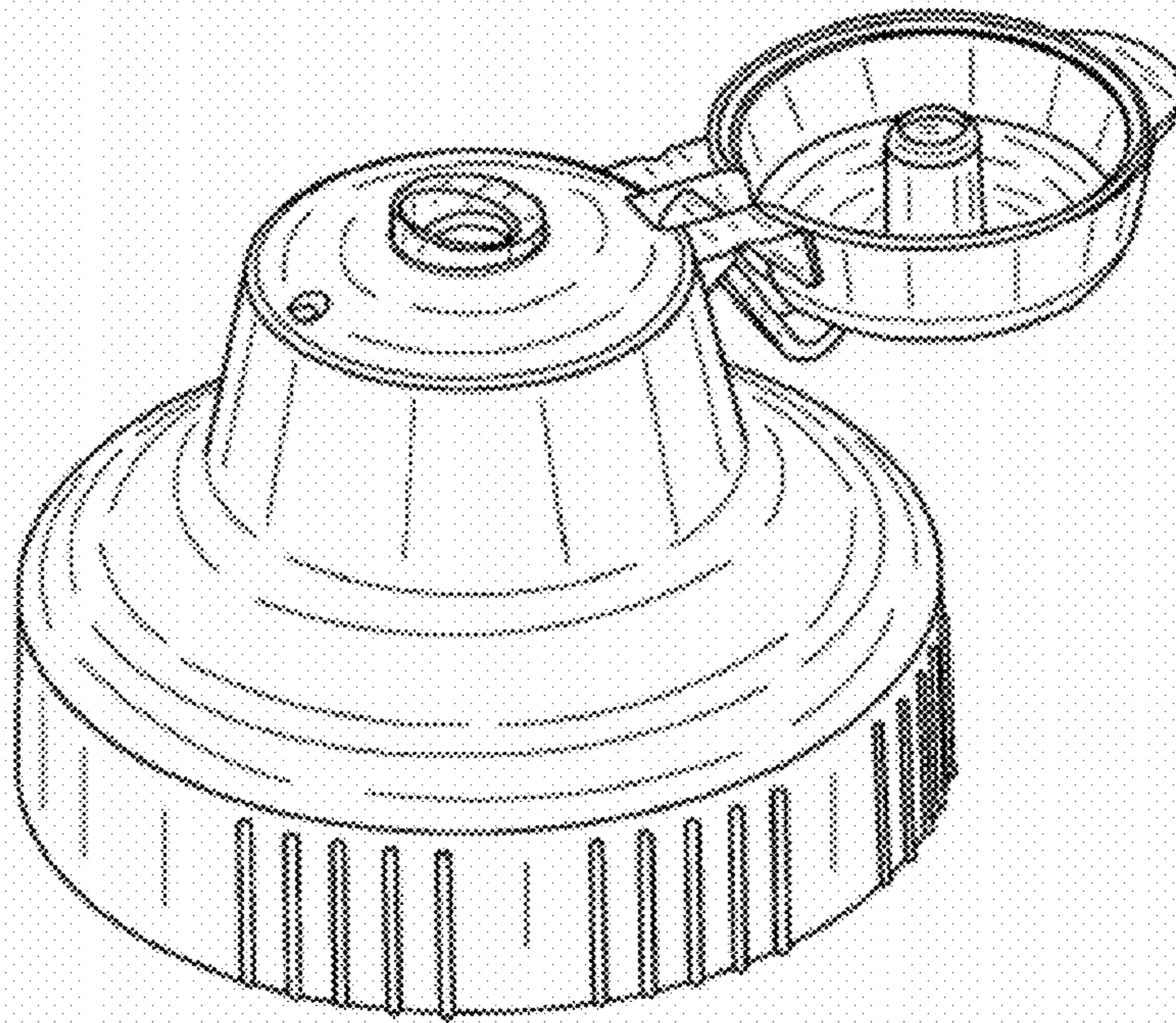


FIG. 1

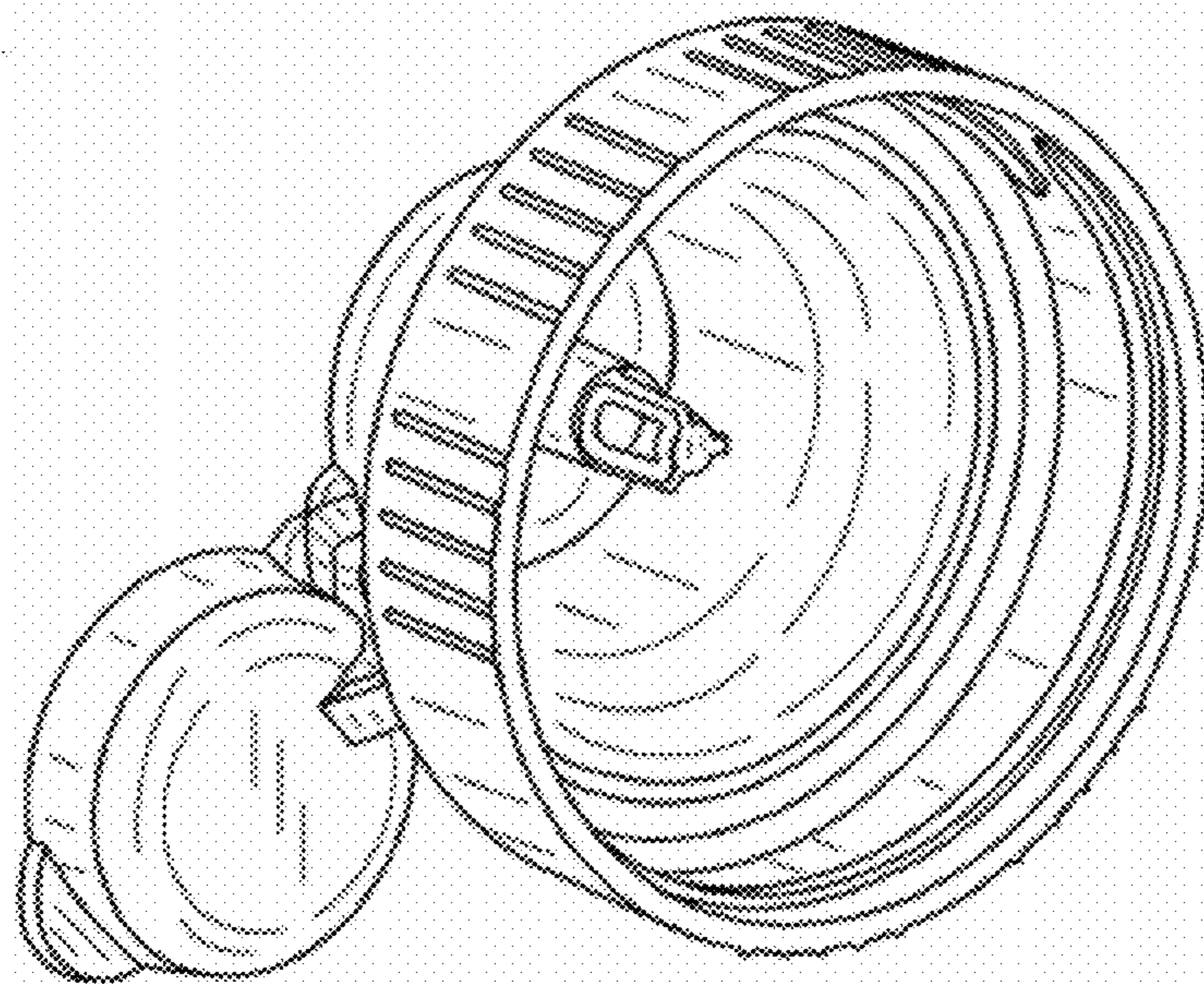


FIG. 2

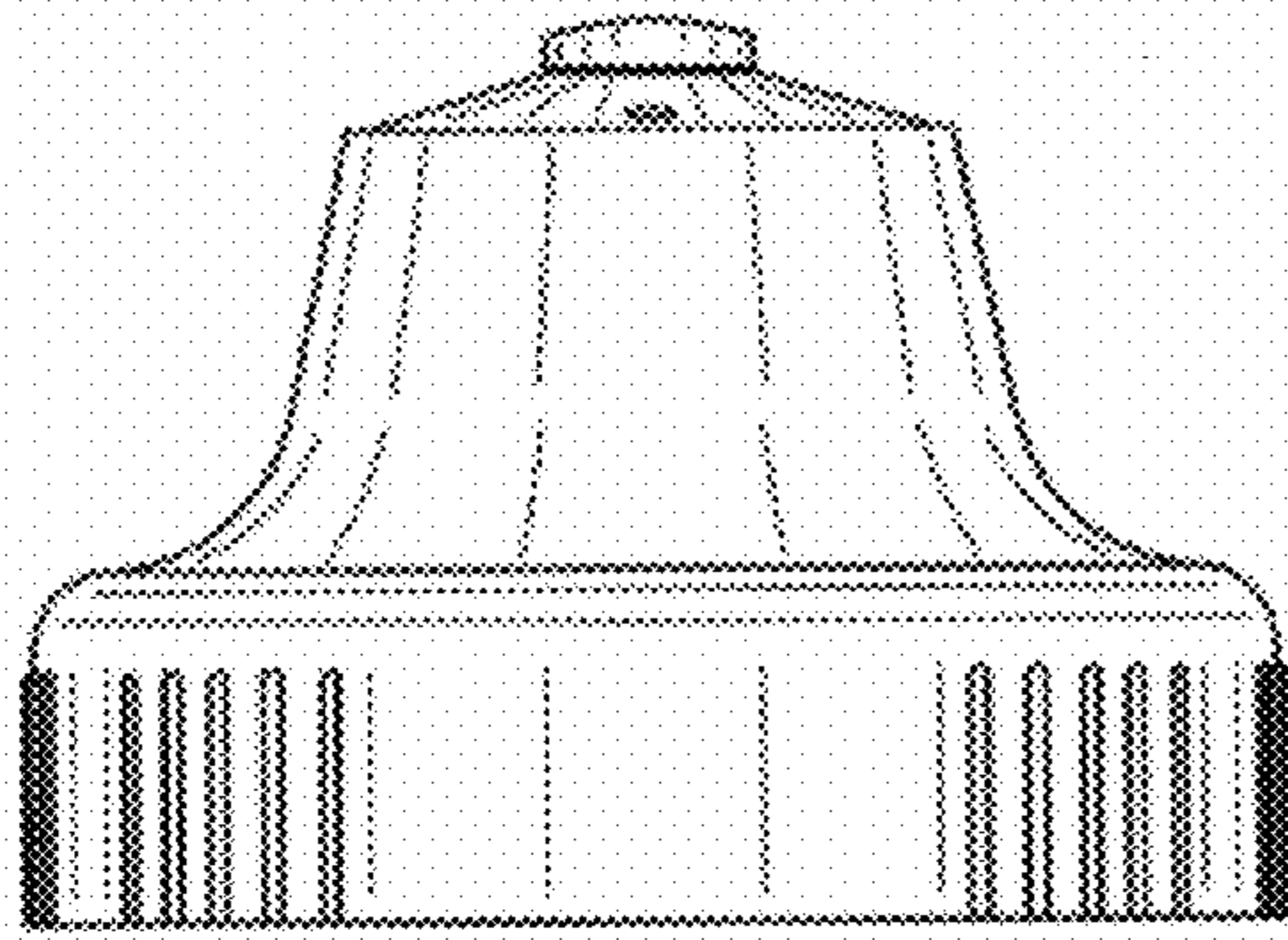


FIG. 3

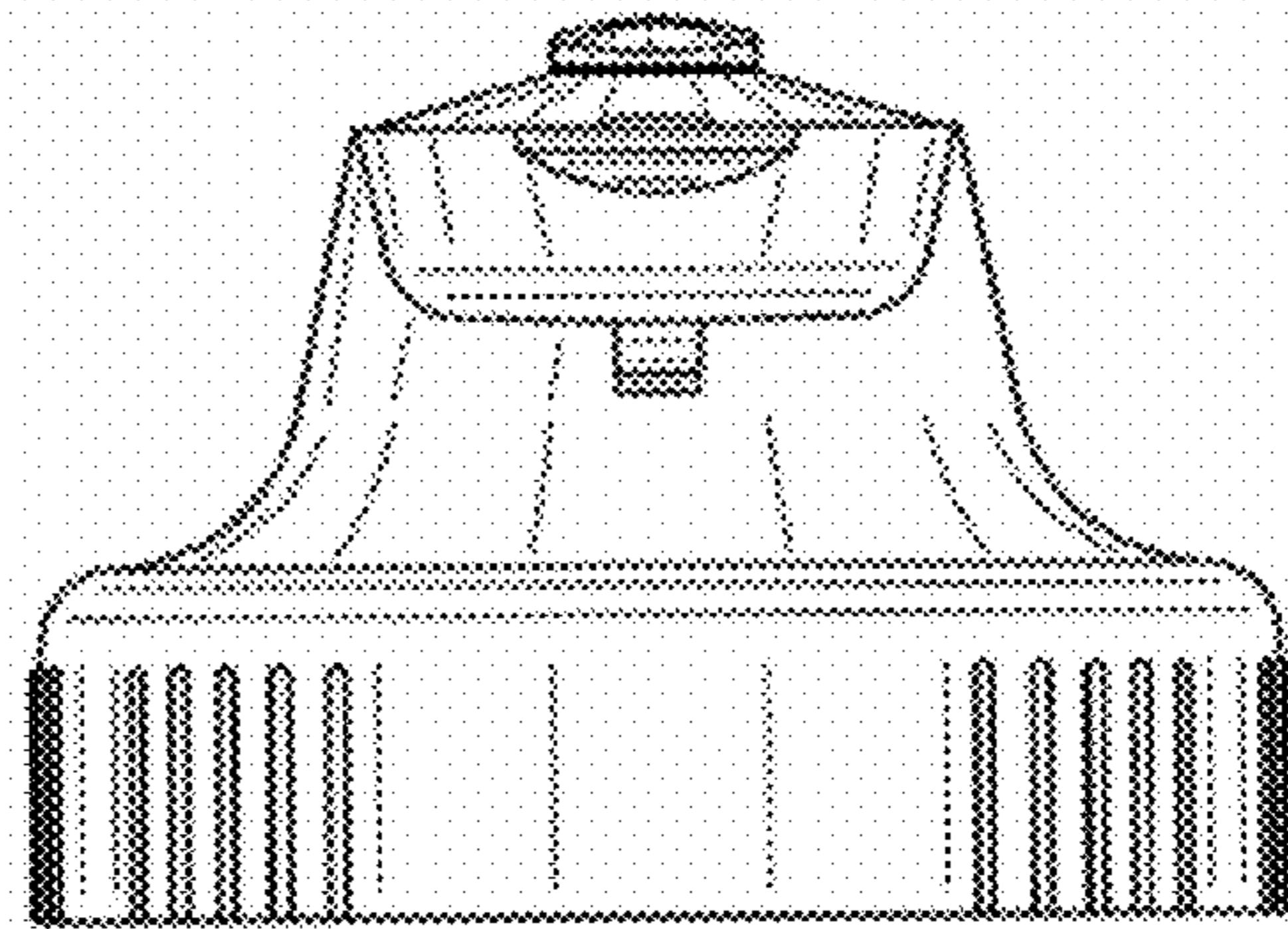


FIG. 4

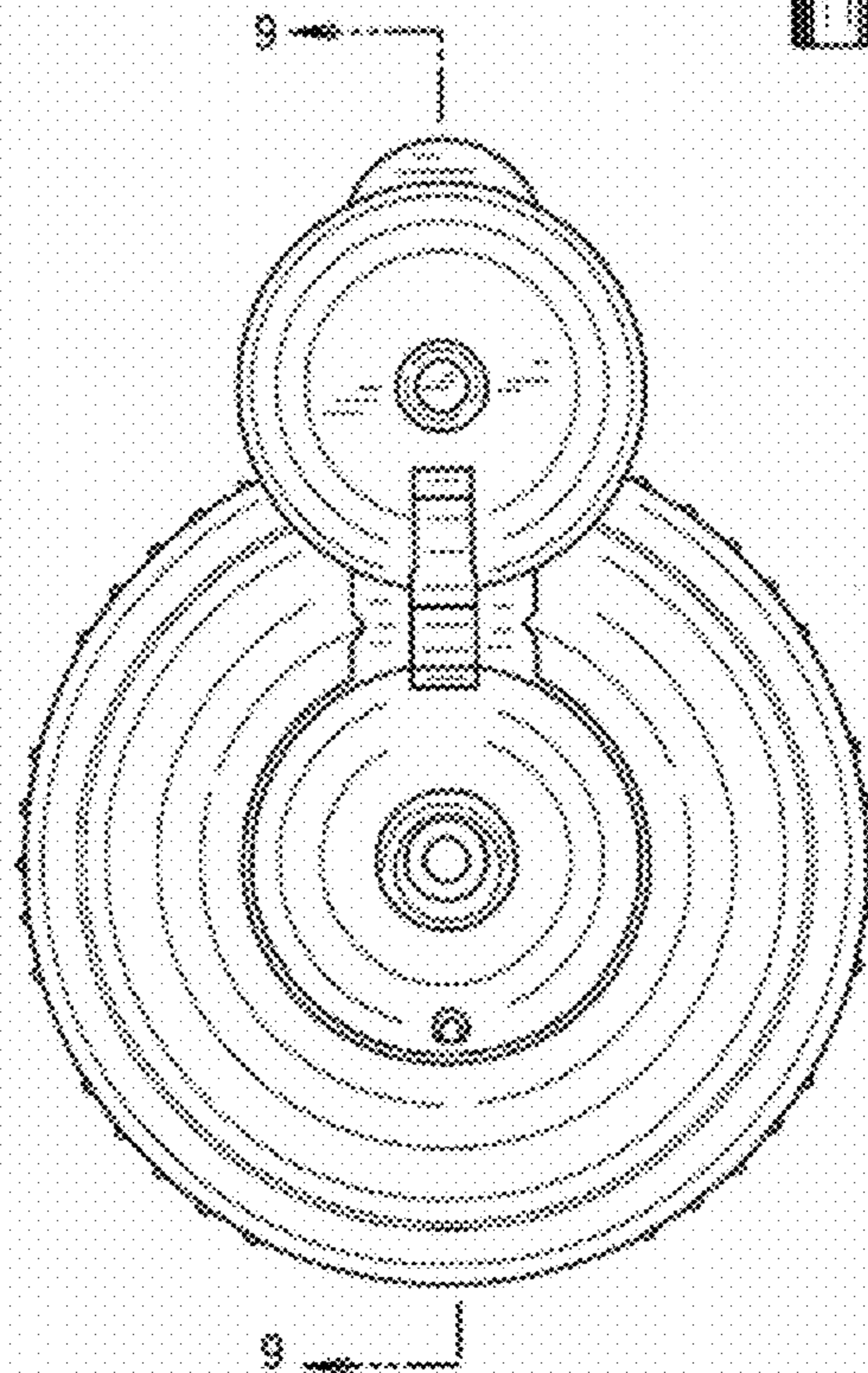


FIG. 5

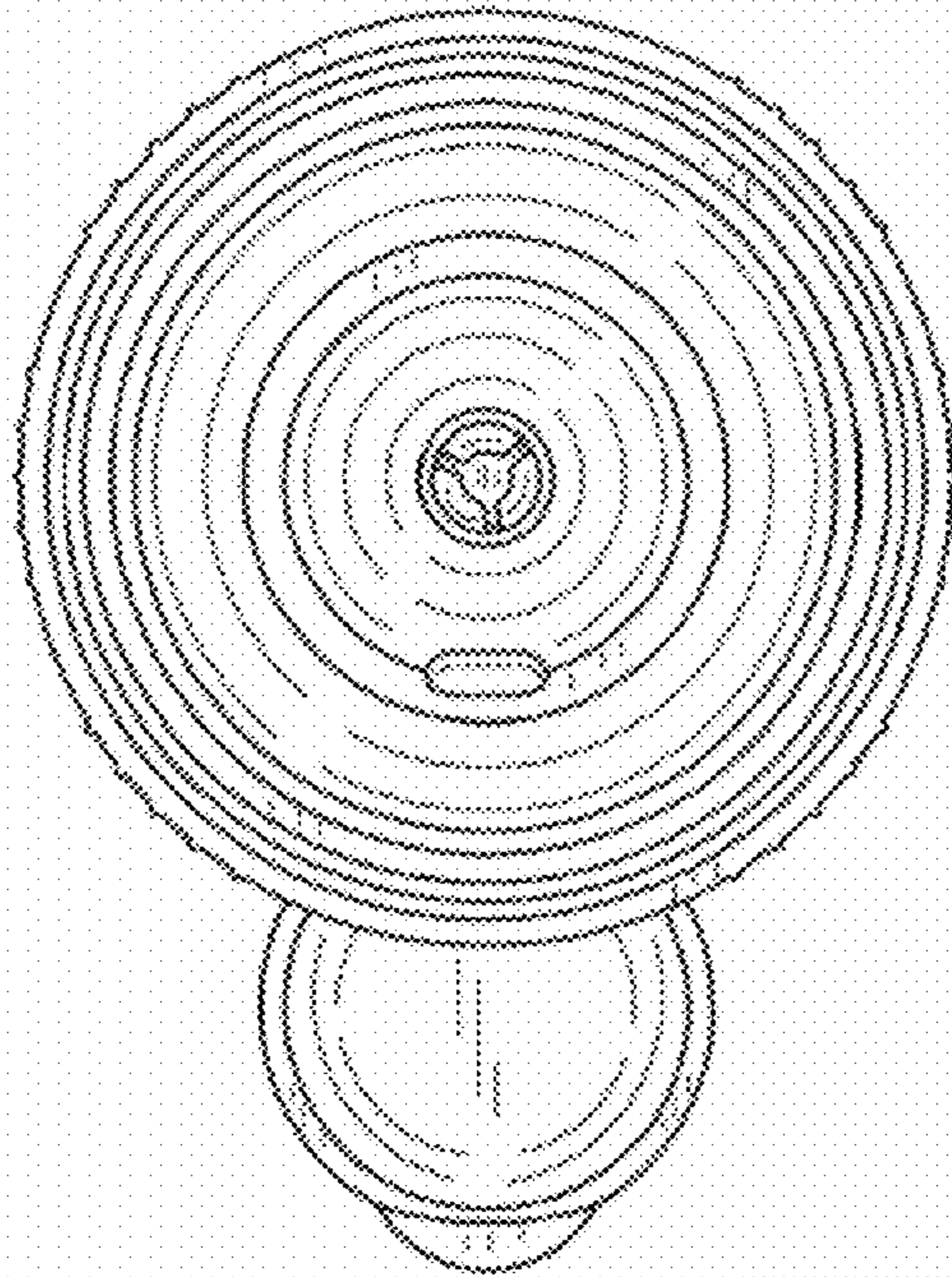


FIG. 6

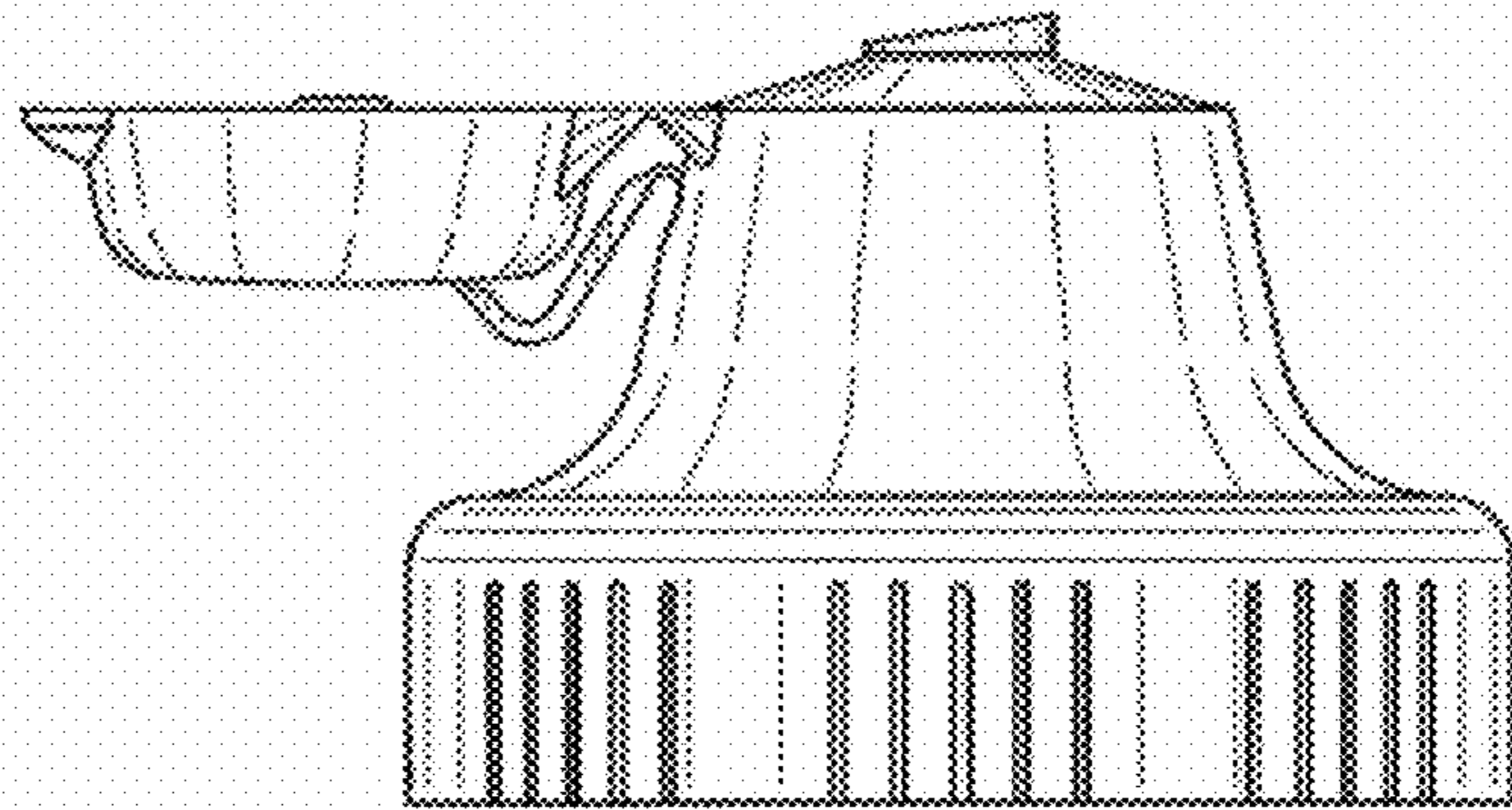


FIG. 7

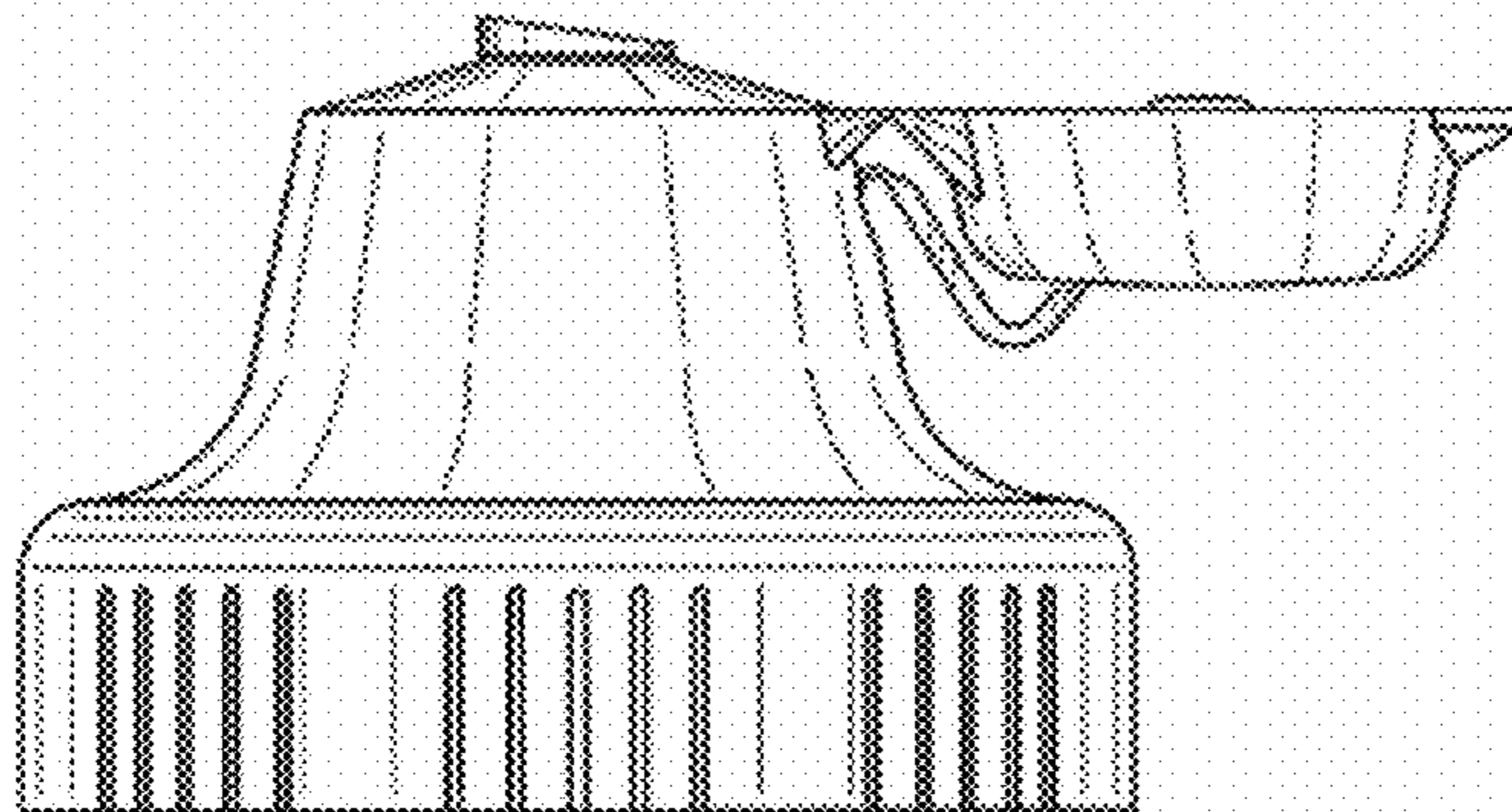


FIG. 8

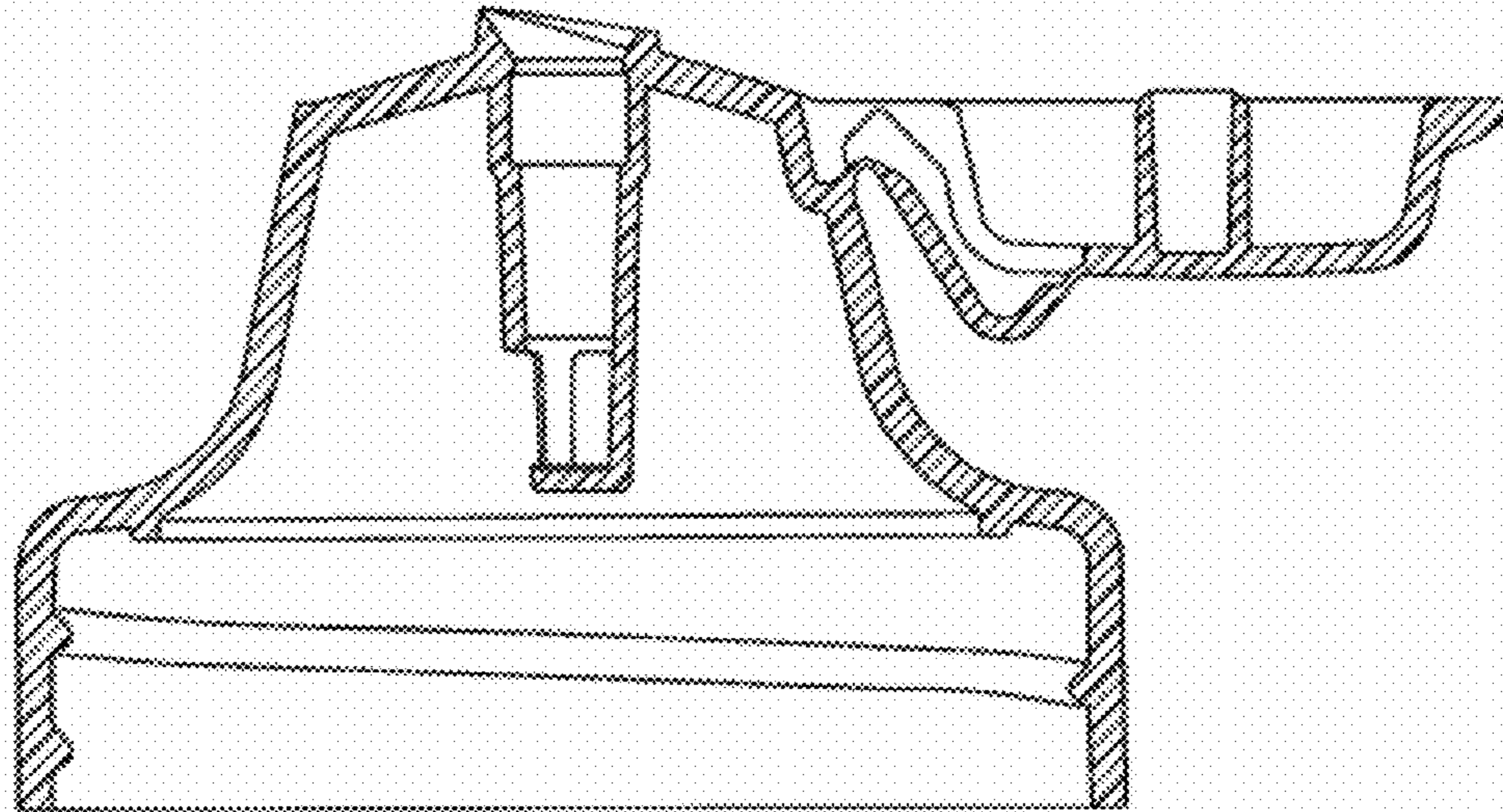


FIG. 9